

[54] ELECTRIC BAKER FOR AN ICE CREAM CONE OR SIMILAR ARTICLE

[75] Inventors: Anthony R. LaDuca, Wayne; S. David Kaplan, Fair Lawn, both of N.J.

[73] Assignee: Royal Copenhagen Cone Company, Inc., Pompton Plains, N.J.

[\*\*] Term: 14 Years

[21] Appl. No.: 376,928

[22] Filed: May 10, 1982

[52] U.S. Cl. .... D7/352

[58] Field of Search ..... D7/323, 352, 353; 99/372, 380

[56] References Cited

U.S. PATENT DOCUMENTS

- D. 69,973 4/1926 Shoenberg ..... D7/352
- D. 102,357 12/1936 Edelman ..... D7/352
- D. 253,217 10/1979 Marsoobian ..... D7/353

- D. 265,281 7/1982 Bennett ..... D7/101 X
- 2,029,448 2/1936 Tatosian ..... 99/380
- 3,377,942 4/1968 Carbon ..... 99/380 X
- 4,075,940 2/1978 Carbon ..... D7/352 X

Primary Examiner—Winifred E. Herrmann  
Attorney, Agent, or Firm—Siegmar Silber

[57] CLAIM

The ornamental design for an electric baker for an ice cream cone or similar article, as shown and described.

DESCRIPTION

FIG. 1 is a top front perspective view of an electric baker for an ice cream cone or similar article showing our new design;

FIG. 2 is a front elevational view thereof, the cover being in an open position;

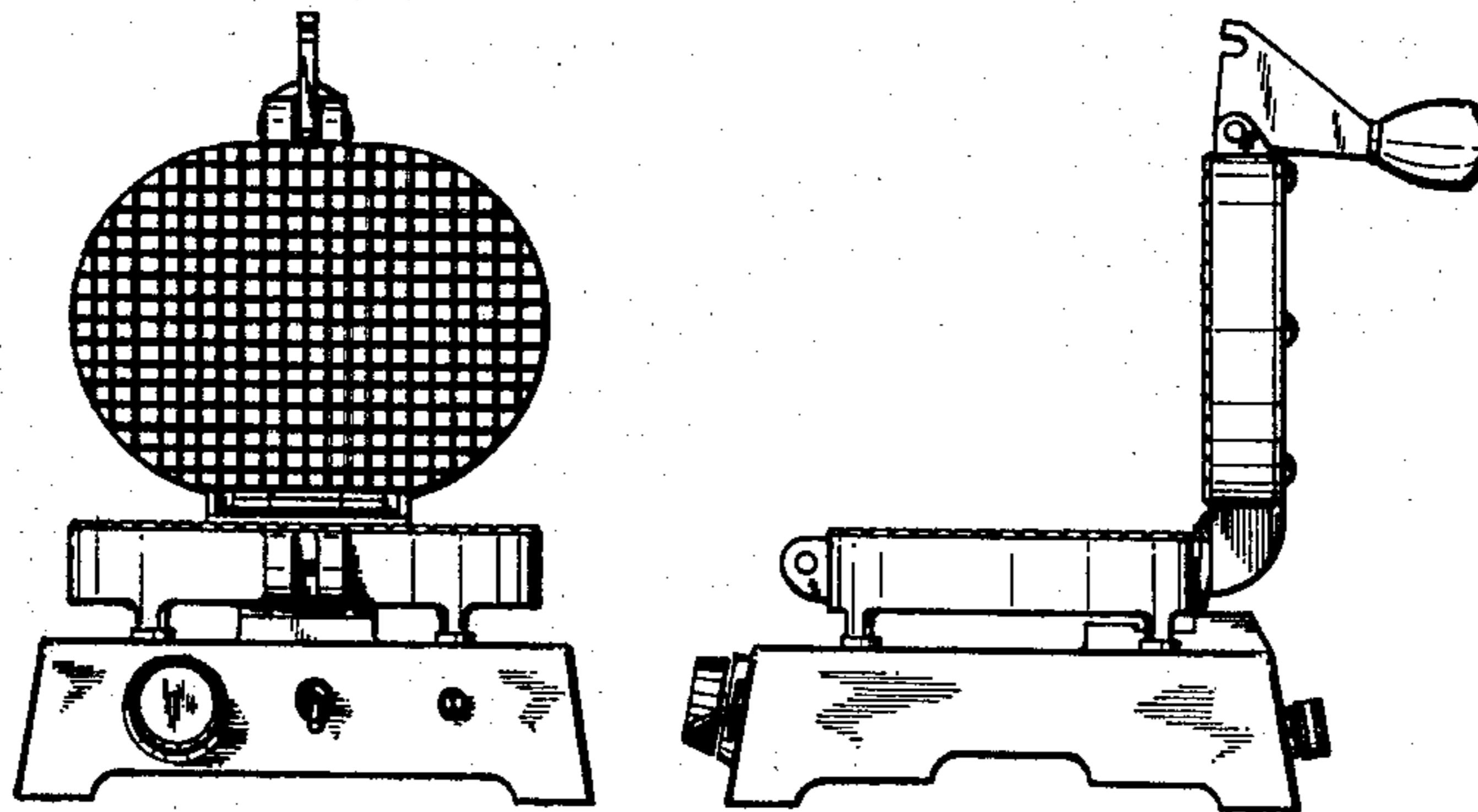
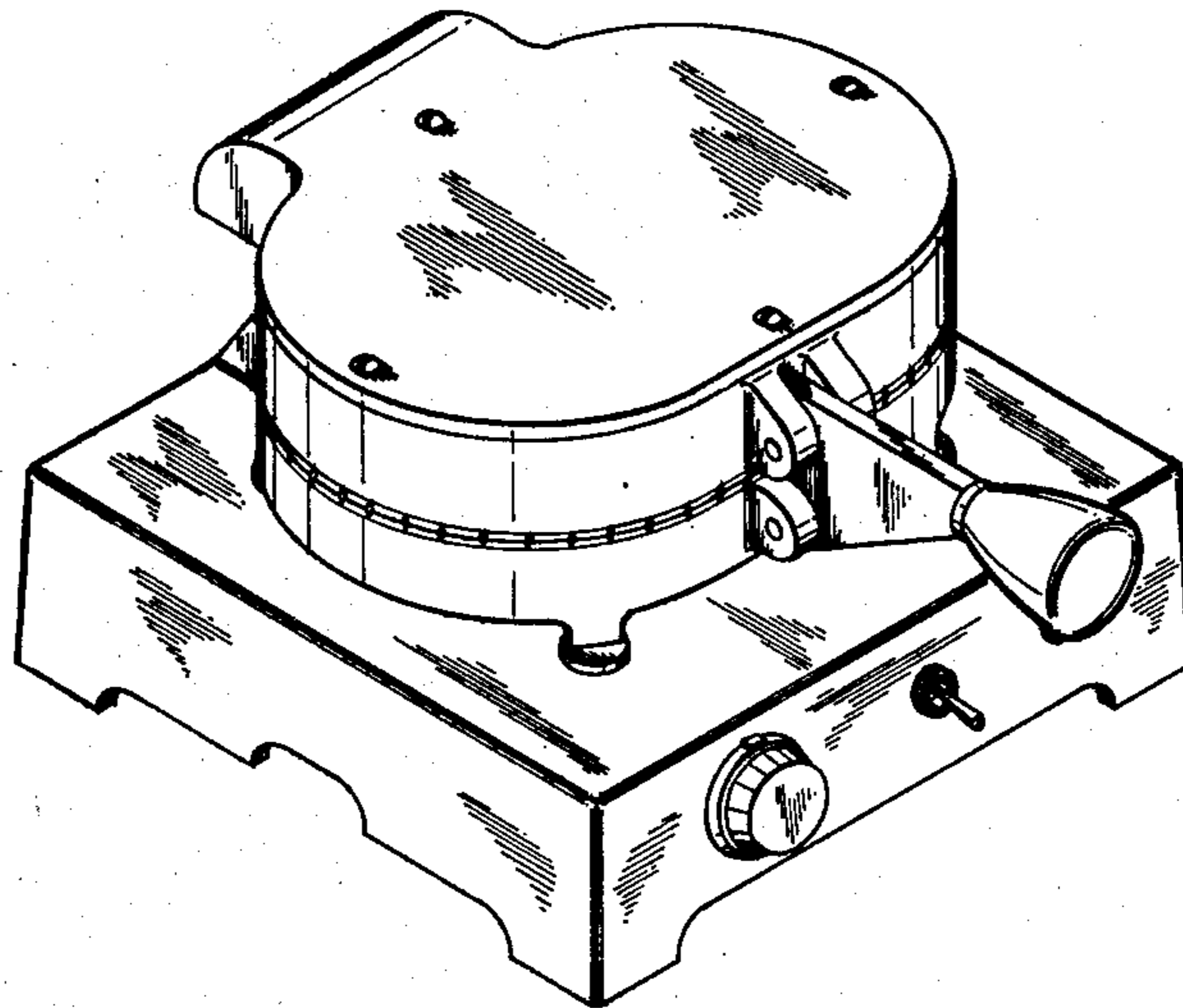
FIG. 3 is a right side elevational view of FIG. 2;

FIG. 4 is a left side elevational view of FIG. 2;

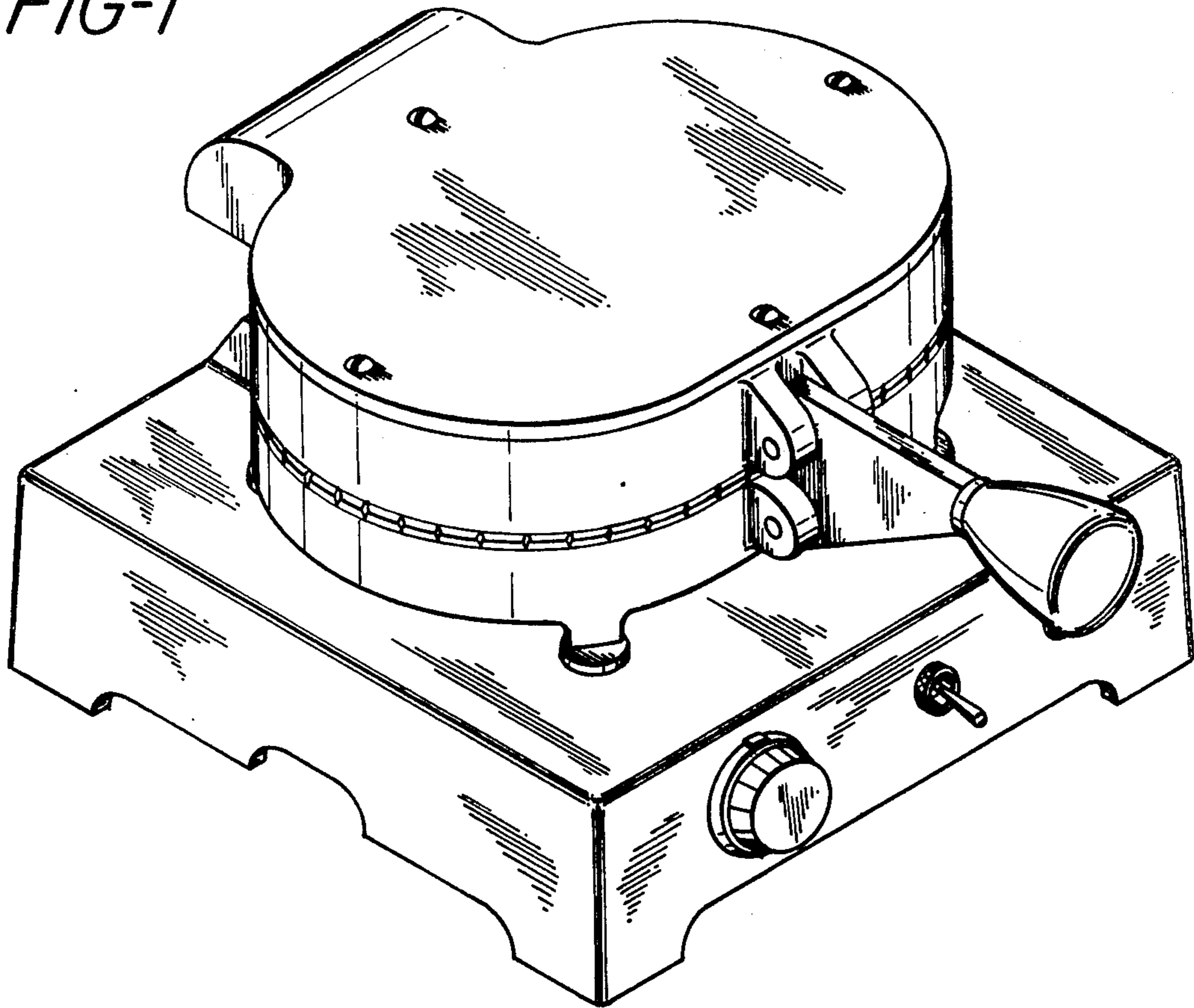
FIG. 5 is a rear elevational view of FIG. 2;

FIG. 6 is a top plan view of FIG. 2; and

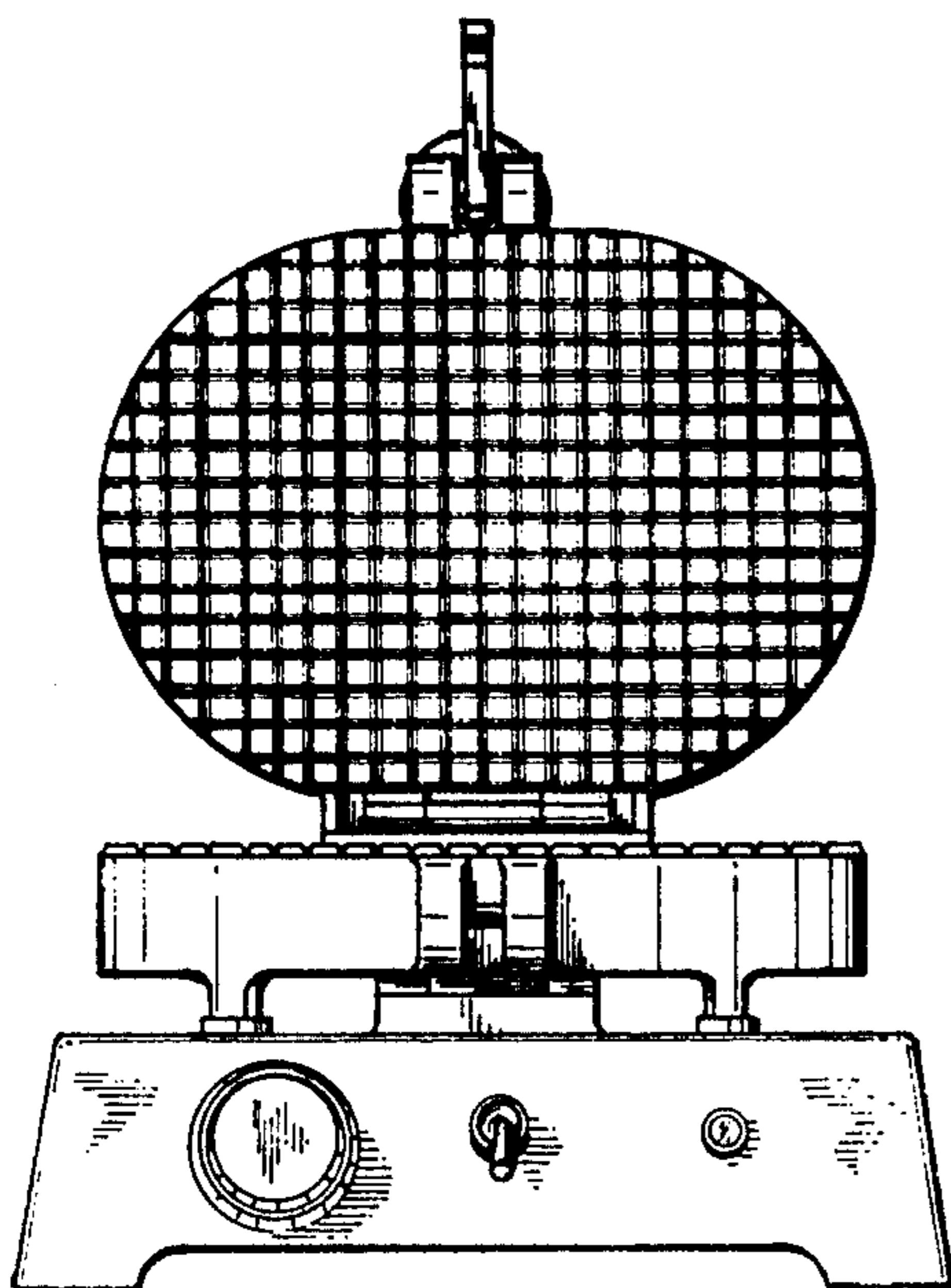
FIG. 7 is a bottom plan view of FIG. 2.



*FIG-1*



*FIG-2*



*FIG-3*

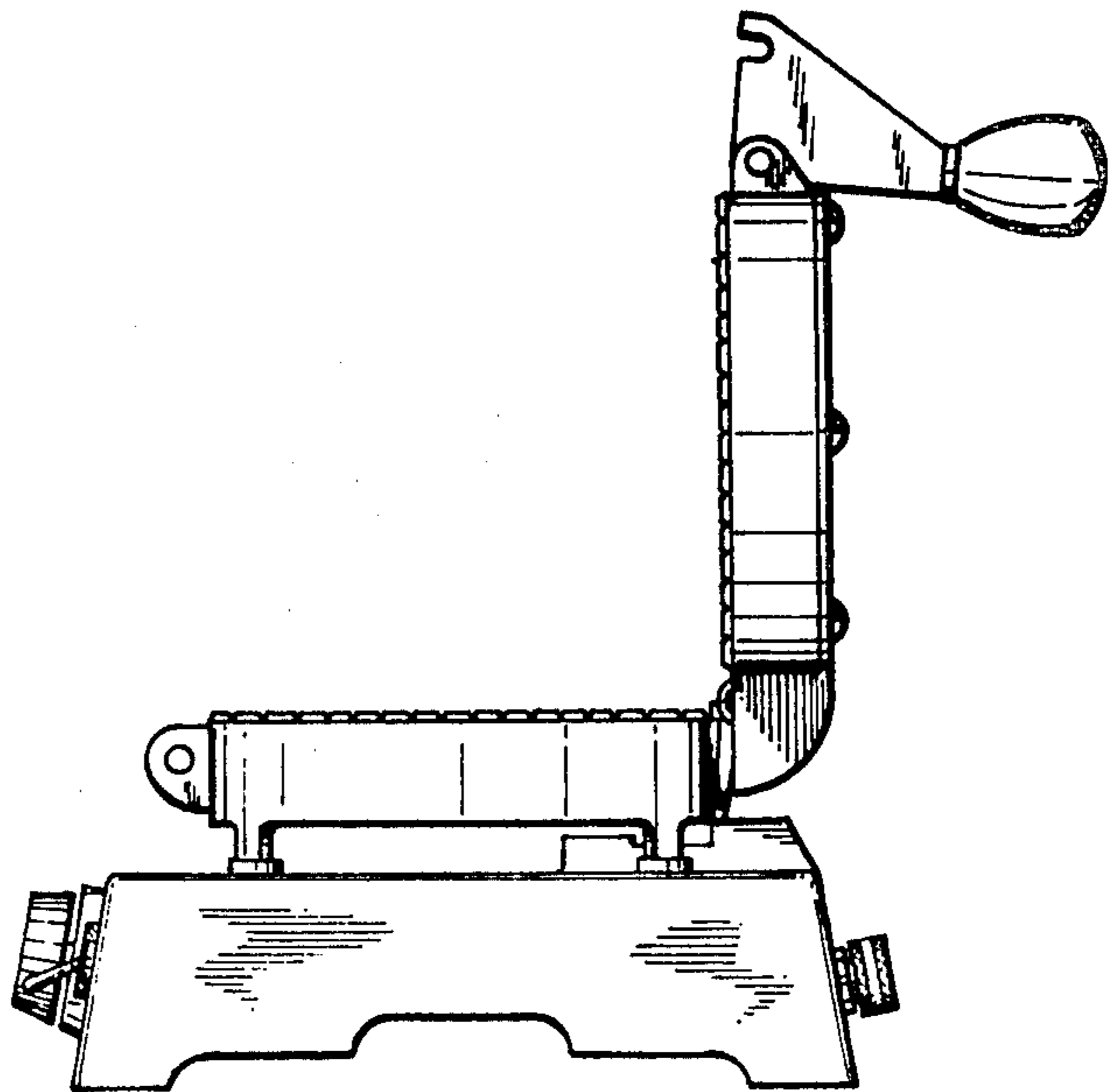


FIG-4

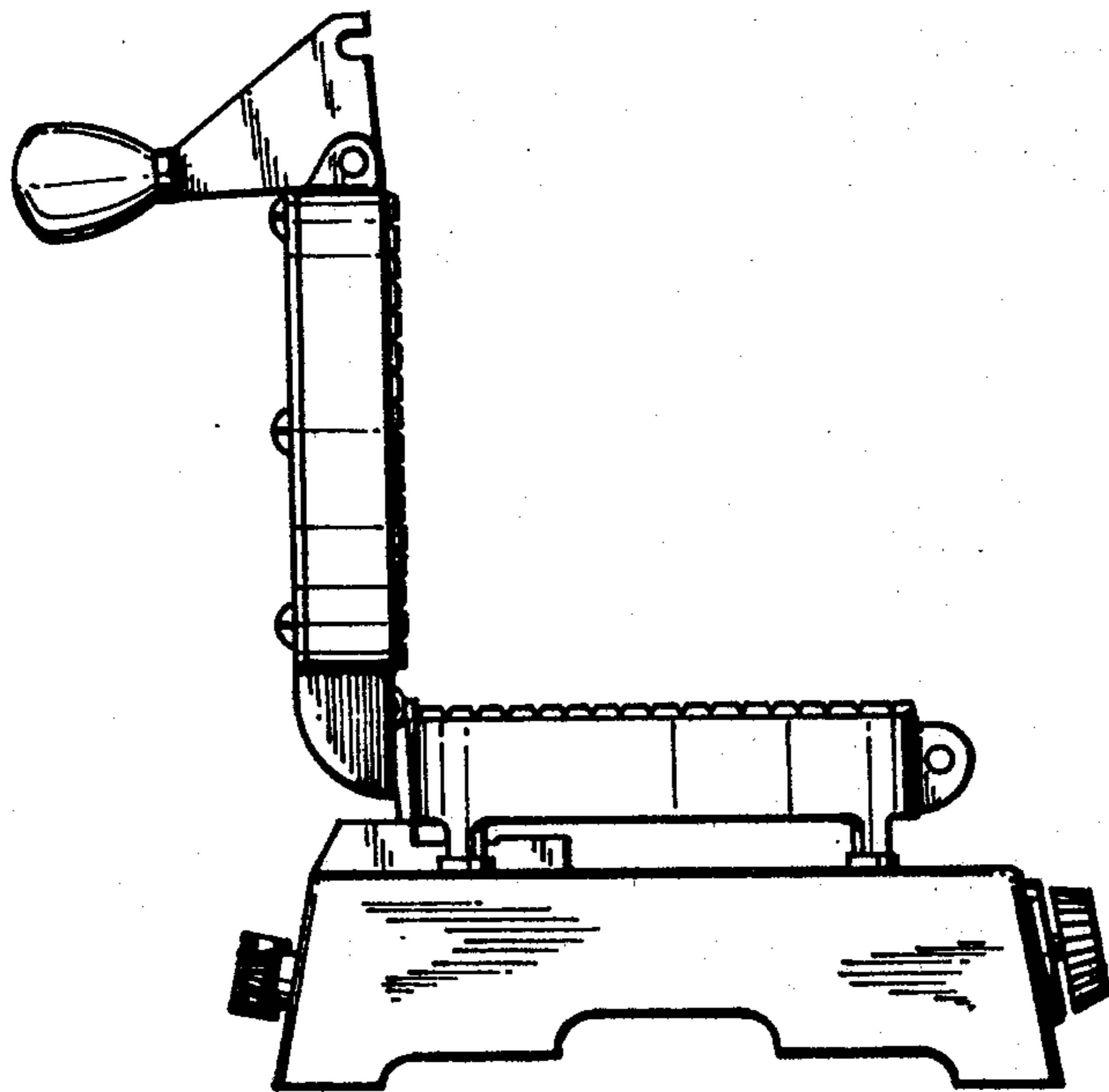


FIG-5

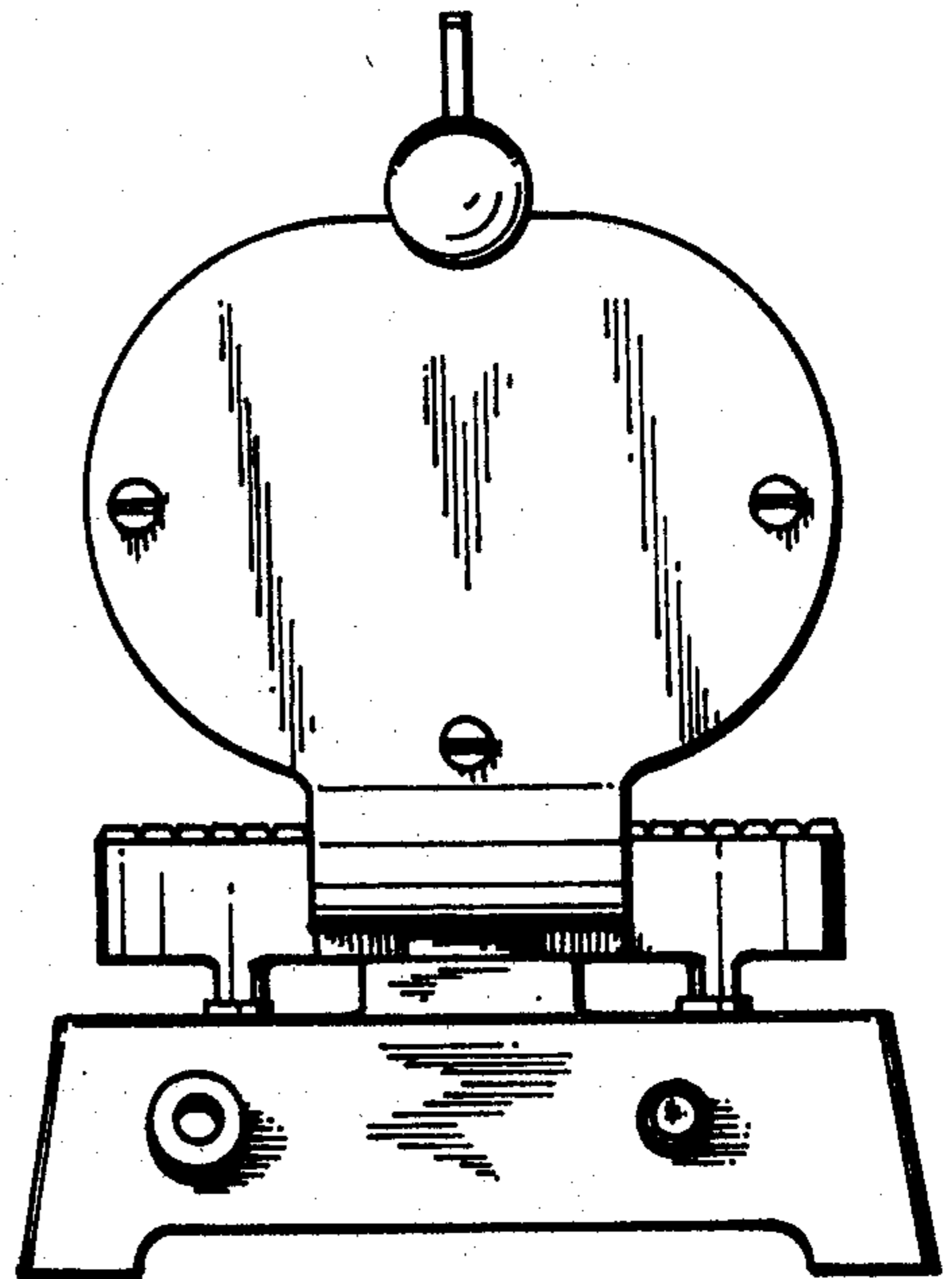


FIG-6

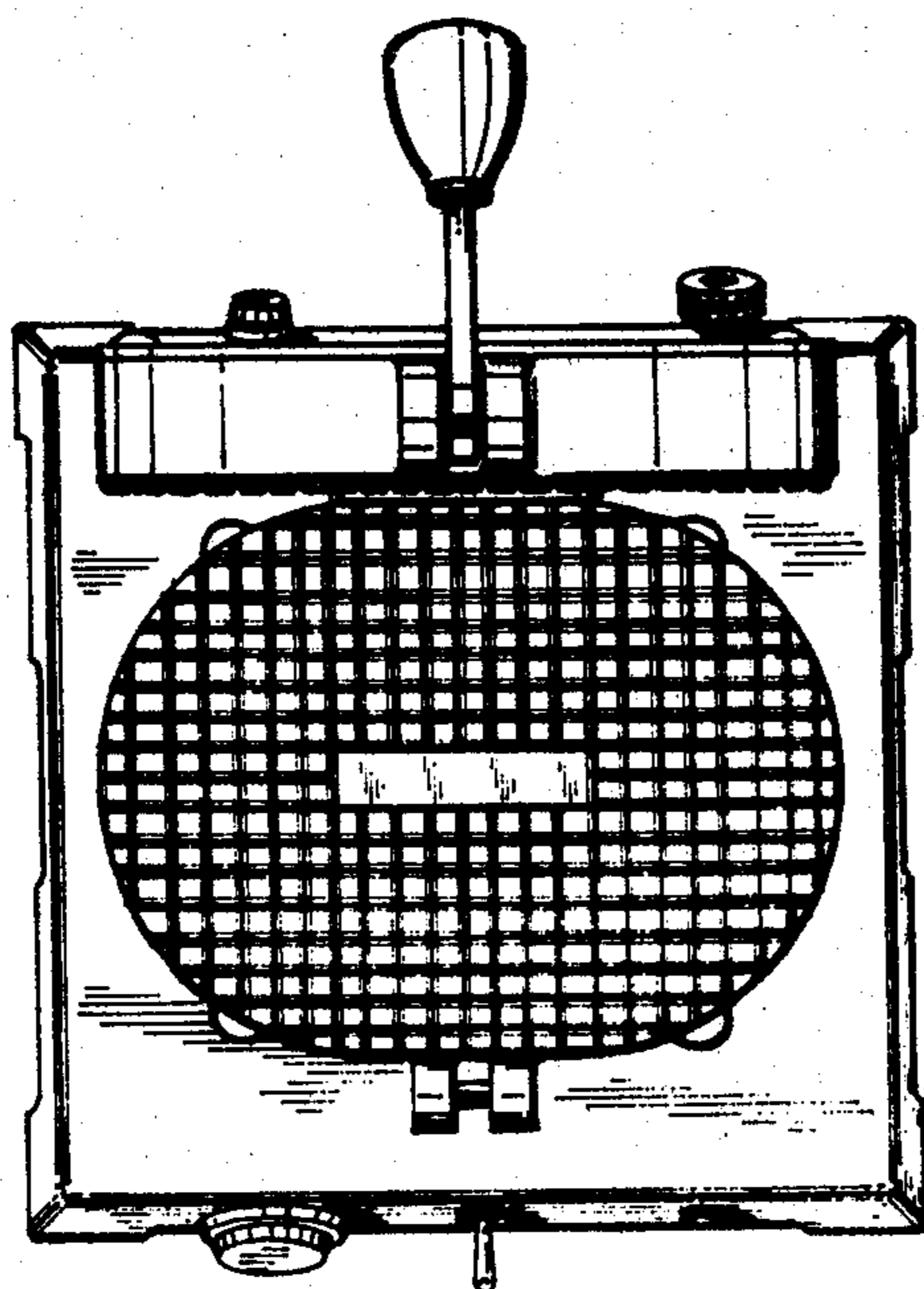


FIG-7

