

[54] WORK DESK FOR A WORD PROCESSOR UNIT

[75] Inventors: Alfred Kwiecinski; Jon A. Yauger, both of Fairfield, Ohio

[73] Assignee: Hamilton Sorter Co., Inc., Fairfield, Ohio

[\*\*] Term: 14 Years

[21] Appl. No.: 356,243

[22] Filed: Mar. 8, 1982

[52] U.S. Cl. .... D6/420; D6/426; D6/429

[58] Field of Search ..... D6/146-149, D6/157, 161, 162, 177, 177-179

[56] References Cited

U.S. PATENT DOCUMENTS

- D. 237,799 11/1975 Sottsass ..... D6/162 X
- D. 238,842 2/1976 Szucs ..... D6/161
- D. 239,488 4/1976 Sandefur ..... D6/161 X
- D. 241,214 8/1976 Szucs ..... D6/179
- D. 266,467 10/1982 Ylänkö ..... D6/179 X

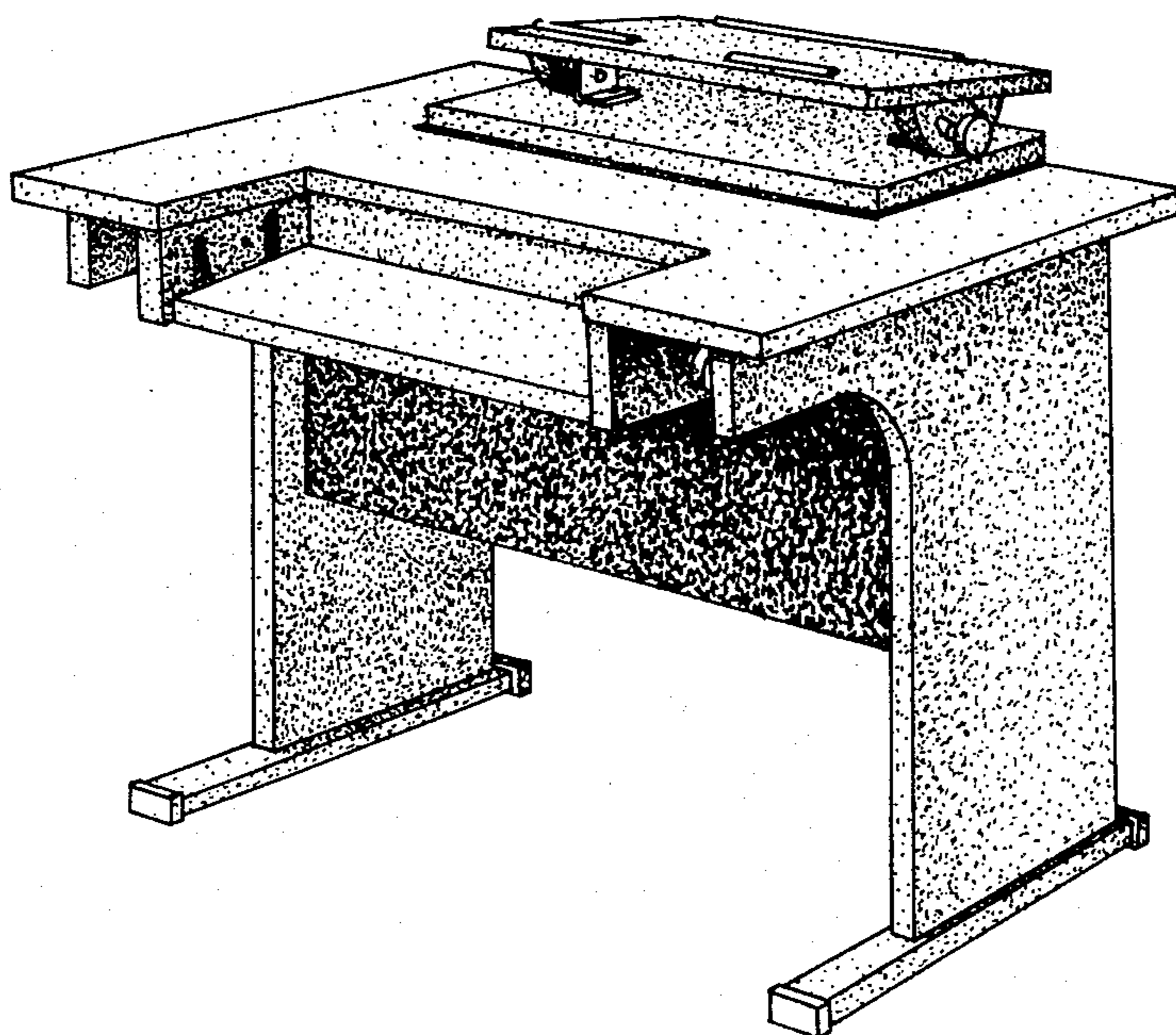
Primary Examiner—Bruce W. Dunkins  
Attorney, Agent, or Firm—Frost & Jacobs

[57] CLAIM

The ornamental design for a work desk for a word processor unit, as shown and described.

DESCRIPTION

FIG. 1 is a perspective view of a work desk for a word processor unit embodying our new design; FIG. 2 is a front elevational view thereof; FIG. 3 is a side elevational view thereof, the opposite side being a mirror image; FIG. 4 is a rear elevational view thereof; FIG. 5 is a top plan view thereof; FIG. 6 is a perspective view of a first modification of our new design; FIG. 7 is a front elevational view of the modification of FIG. 6, the side elevations of the first modification being the same as shown in FIG. 3; FIG. 8 is a rear elevational view of the first modification of FIG. 6; FIG. 9 is a top plan view of the first modification shown in FIG. 6; FIG. 10 is a perspective view of a second modification of our new design; FIG. 11 is a front elevational view of the modification of FIG. 10, the side elevations of the second modification being the same as shown in FIG. 3; FIG. 12 is a rear elevational view of the second modification shown in FIG. 10; and FIG. 13 is a top plan view of the second modification of FIG. 10.



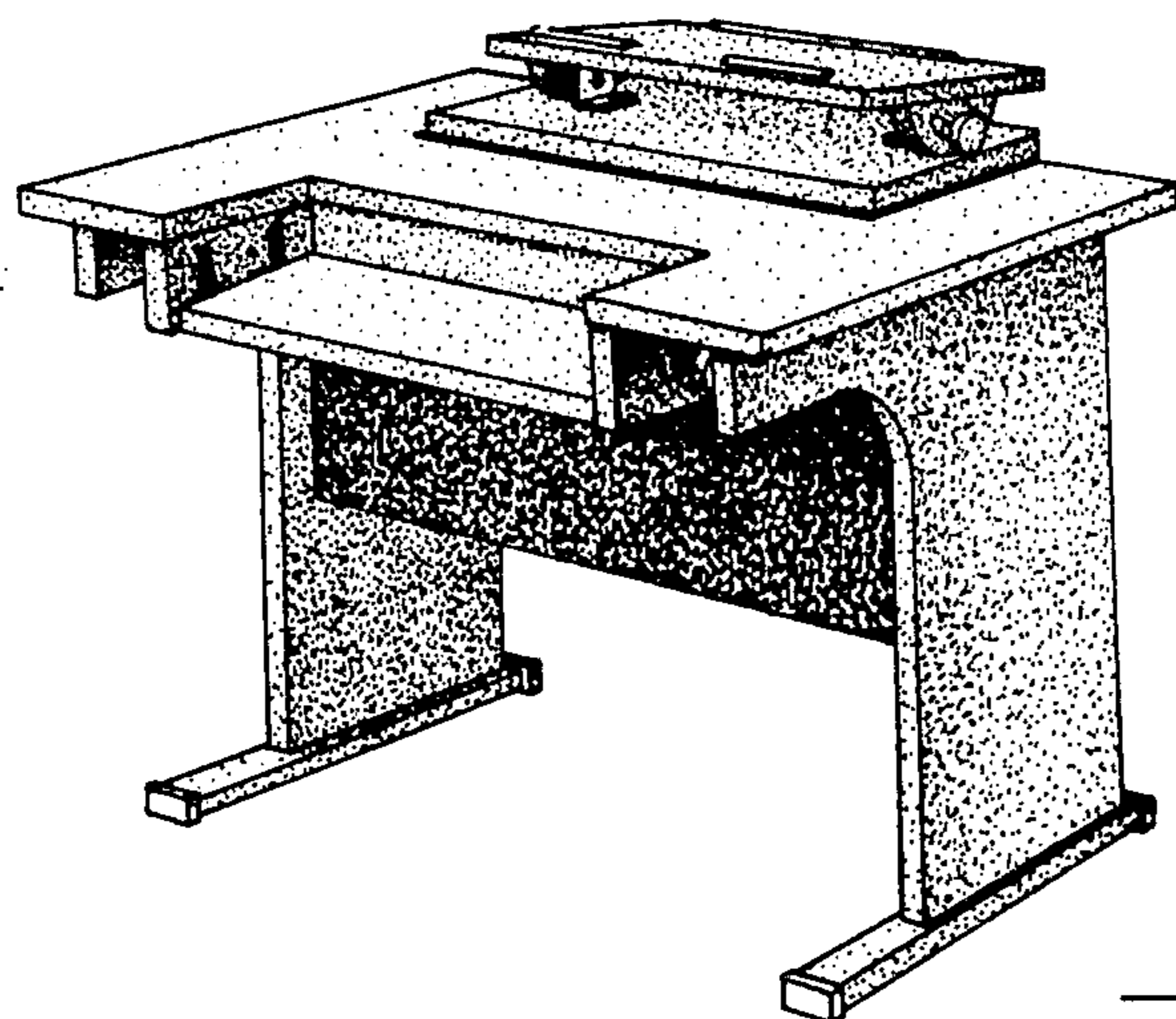


FIG 1

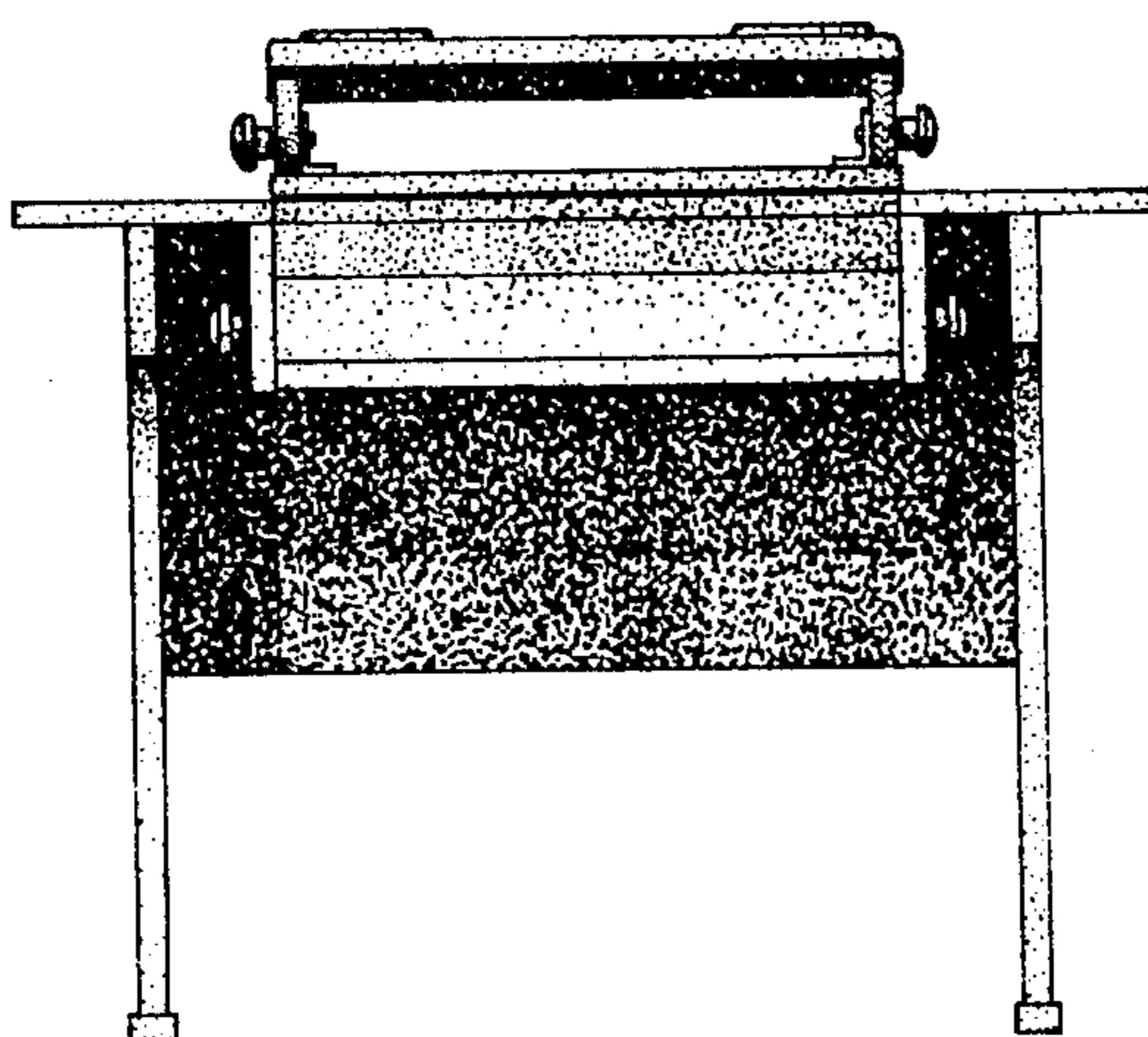


FIG 2

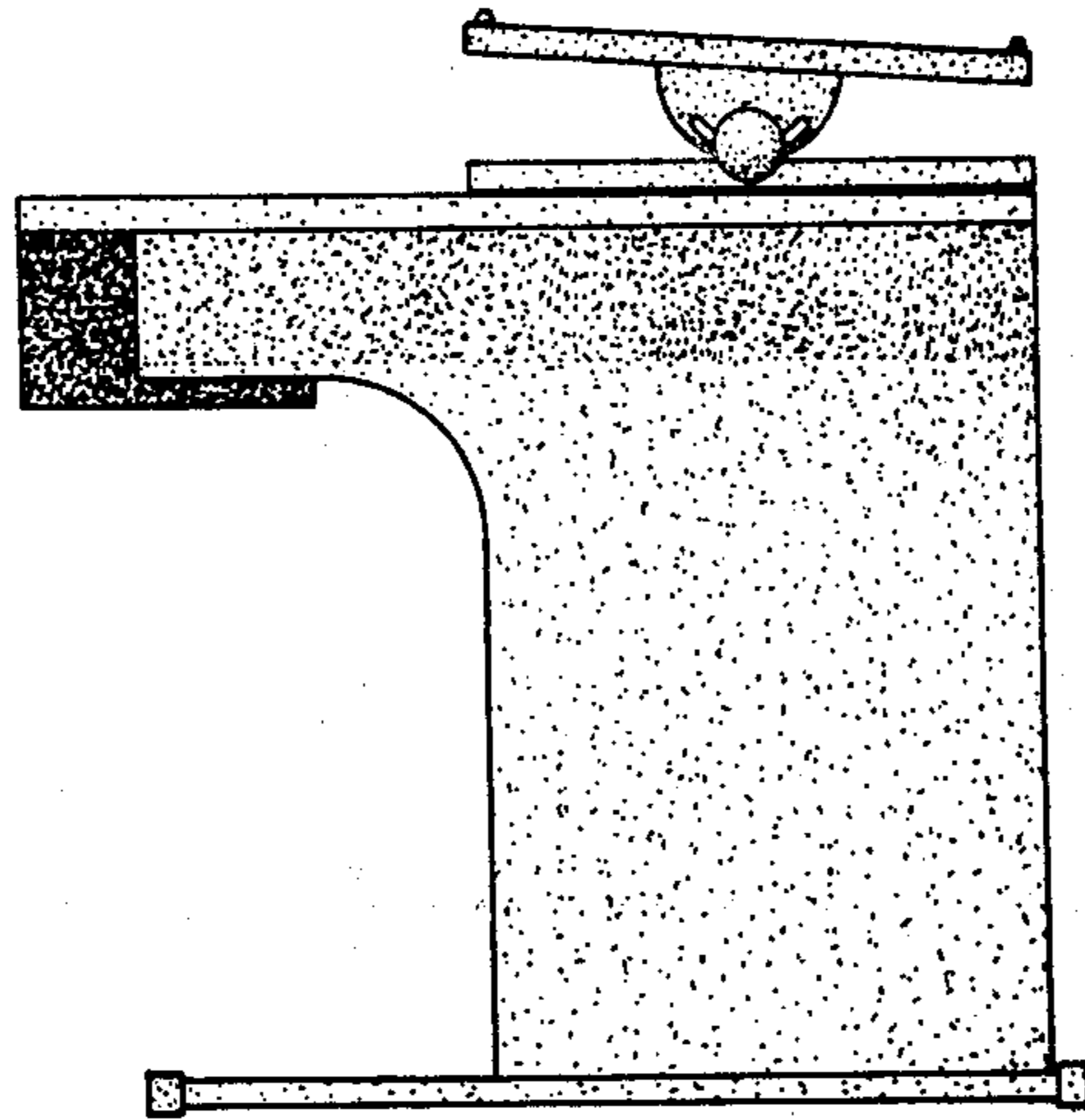


FIG 3

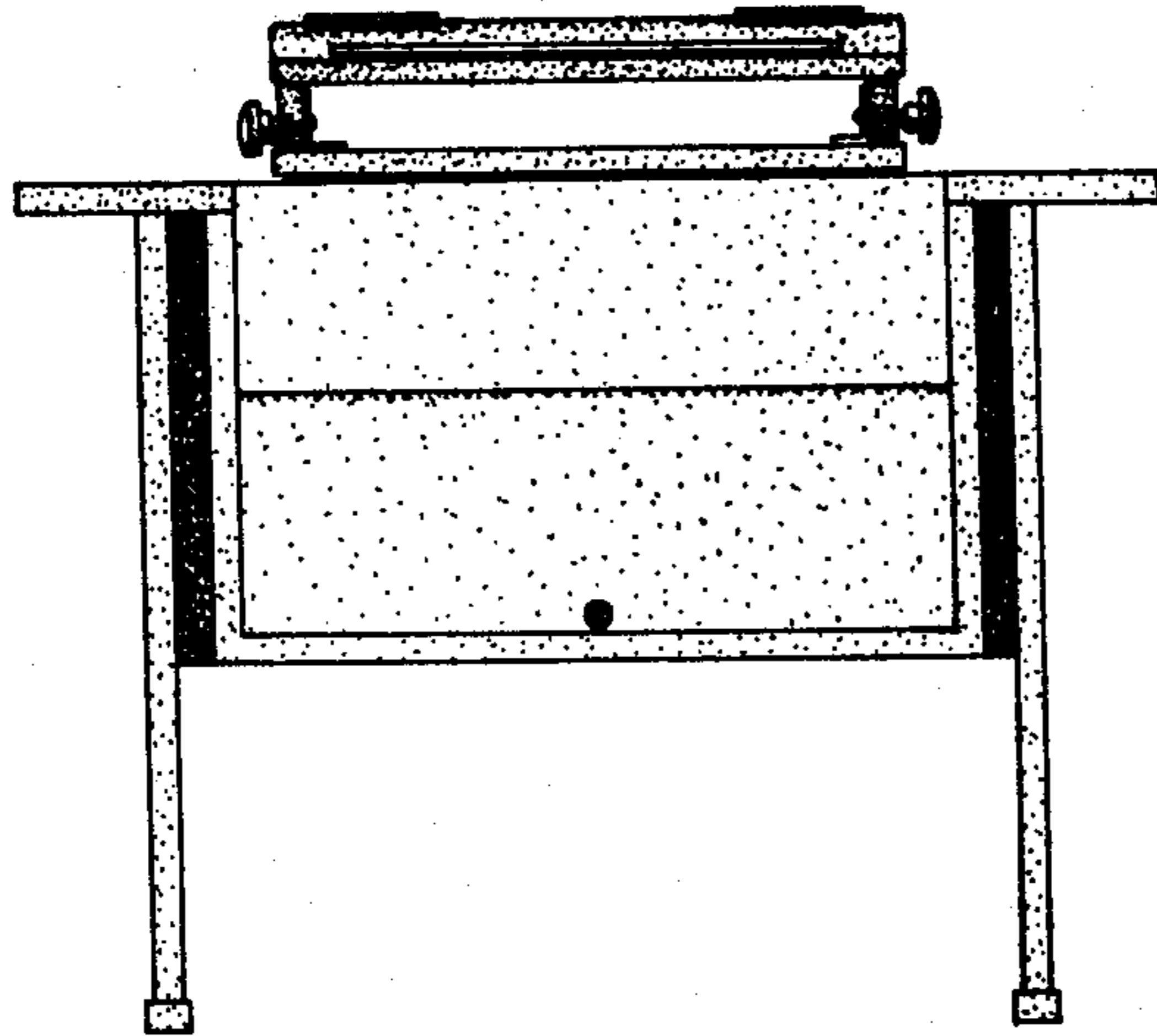


FIG 4

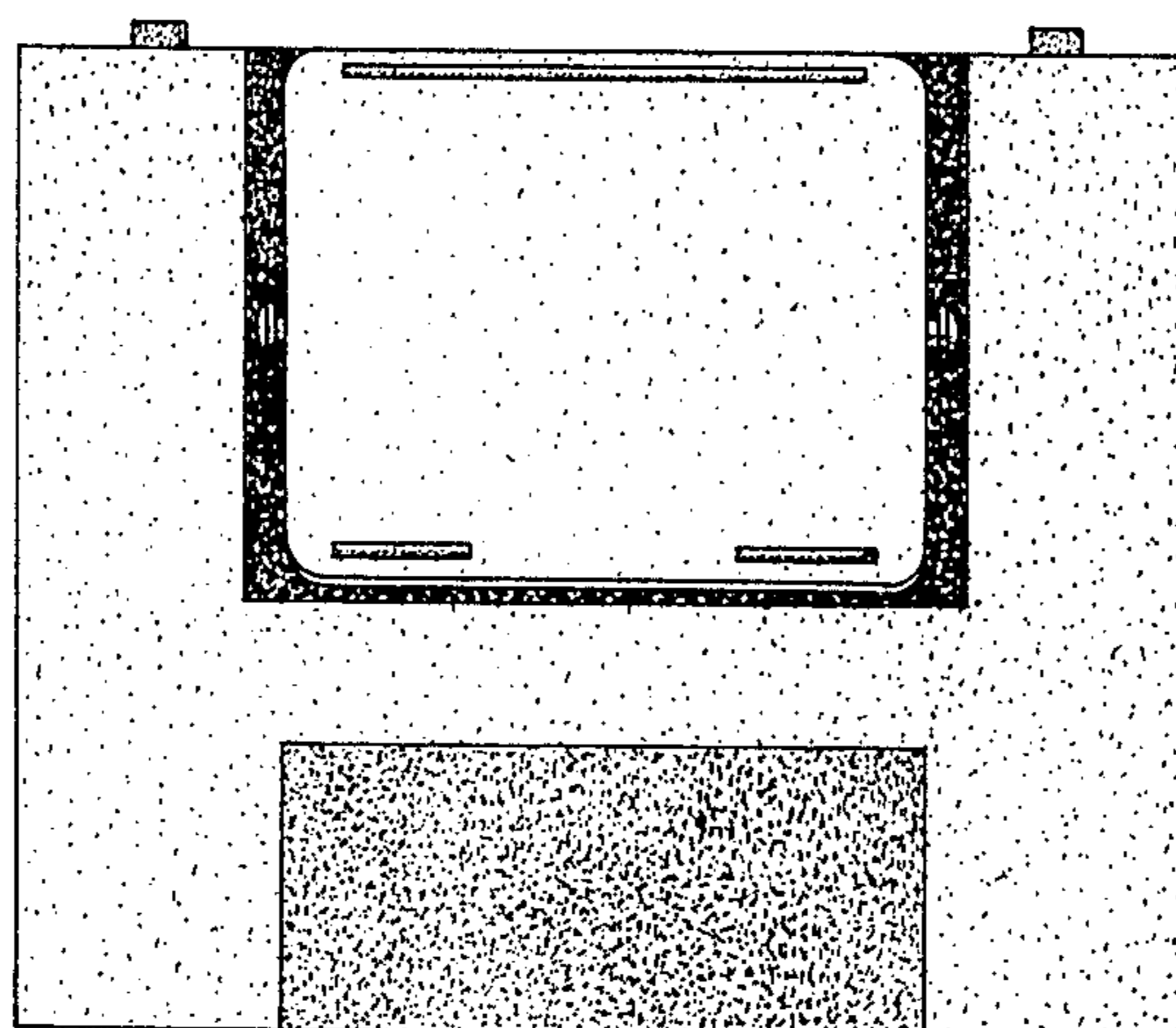


FIG 5

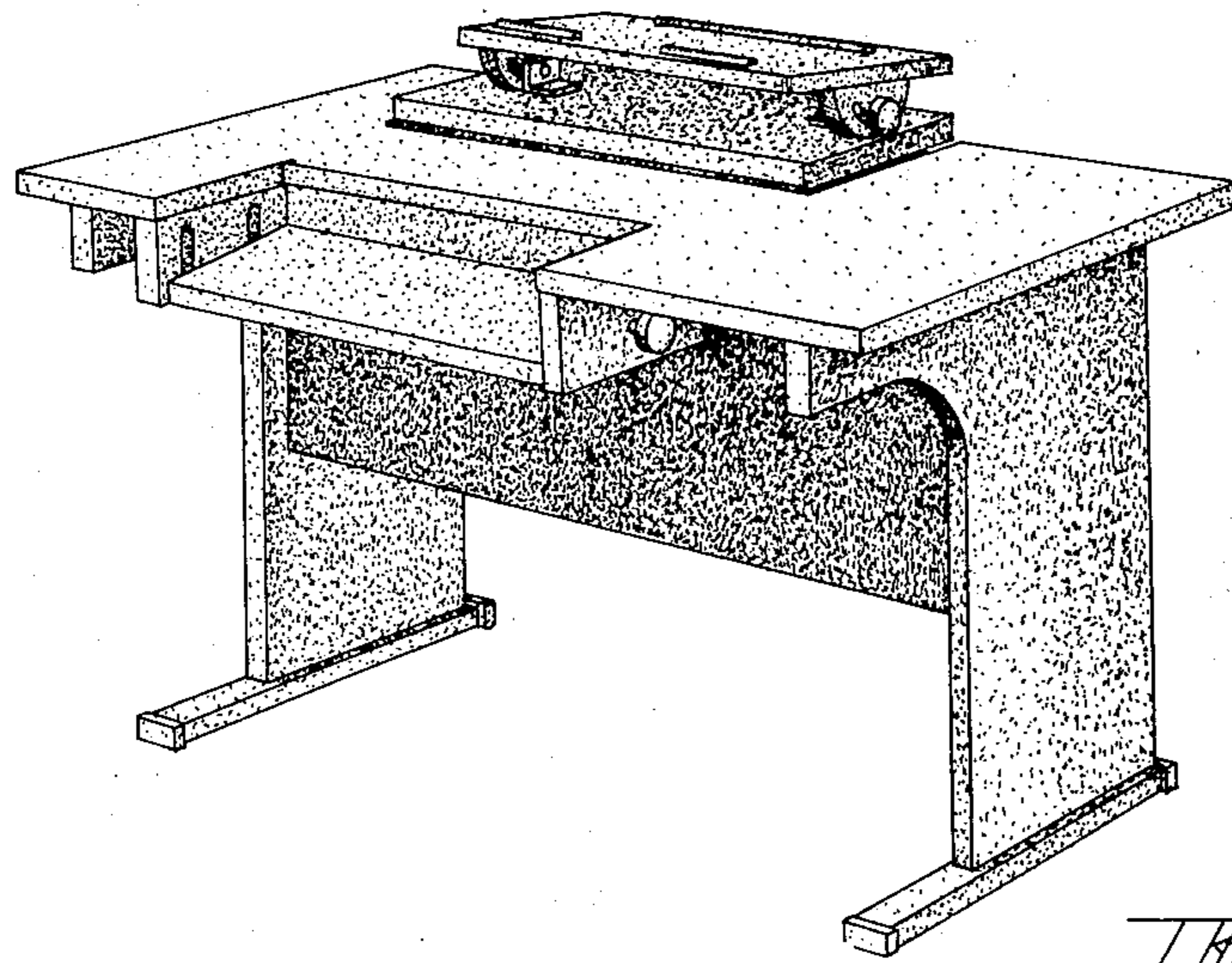


FIG 6

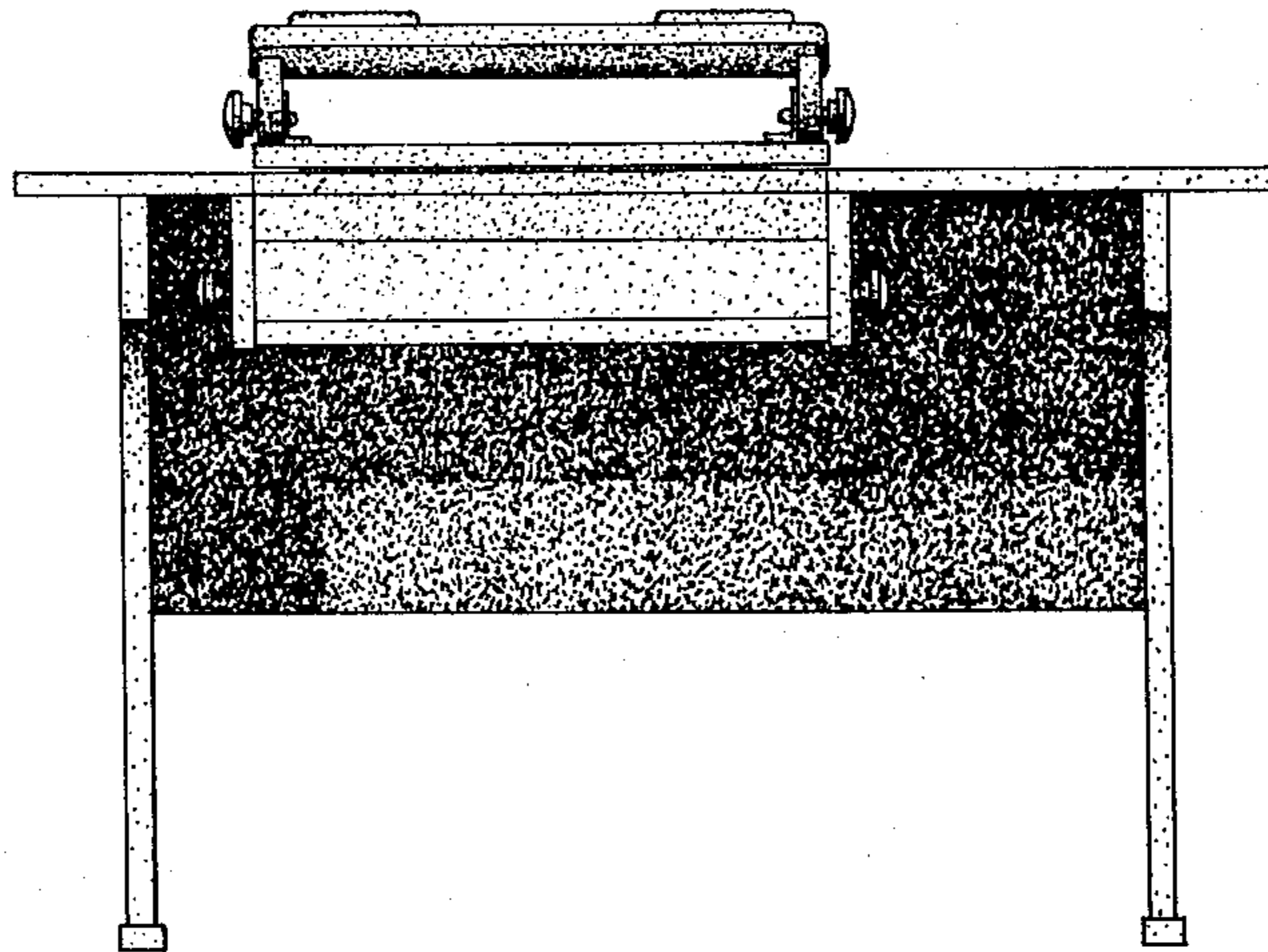
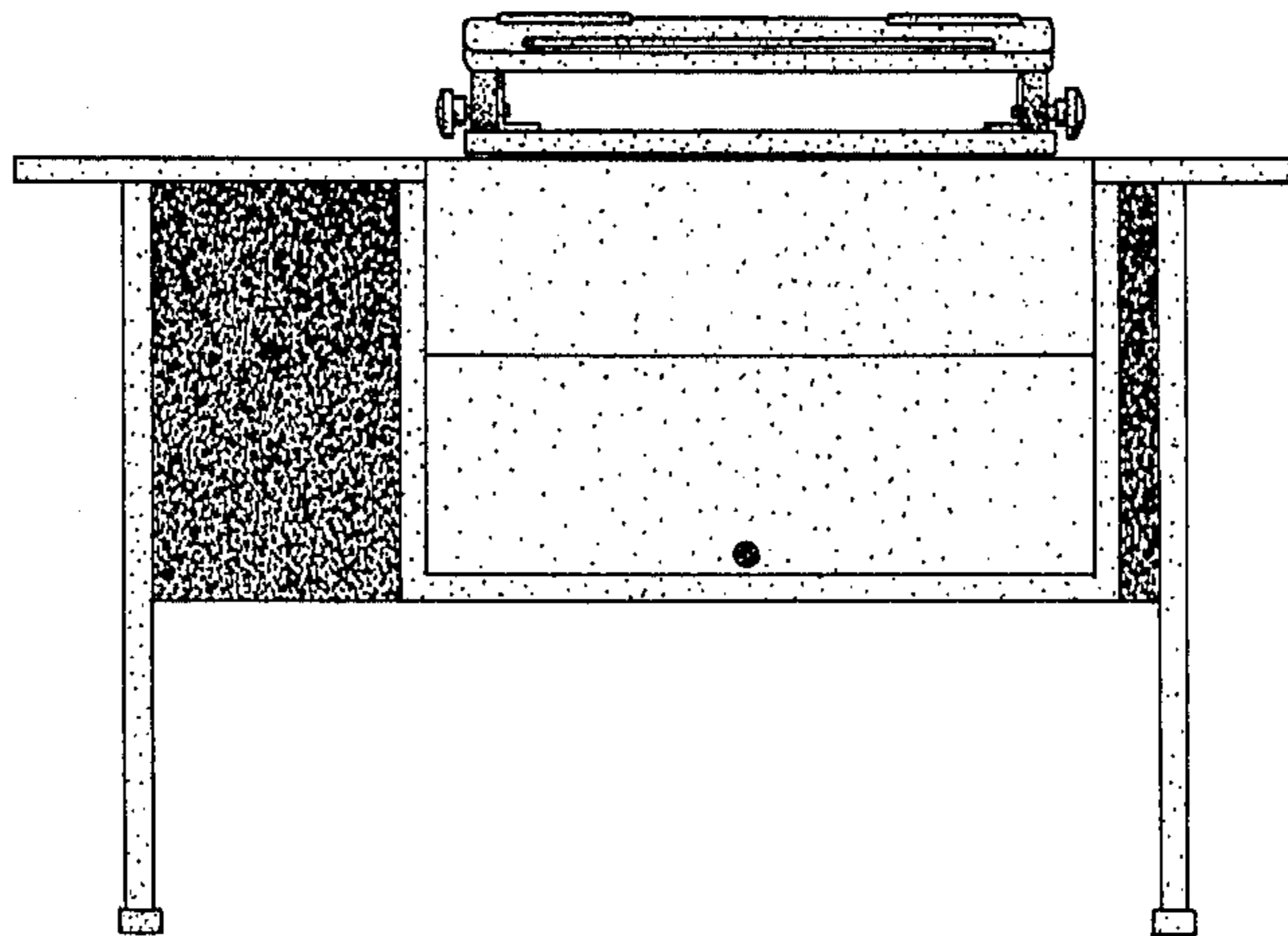
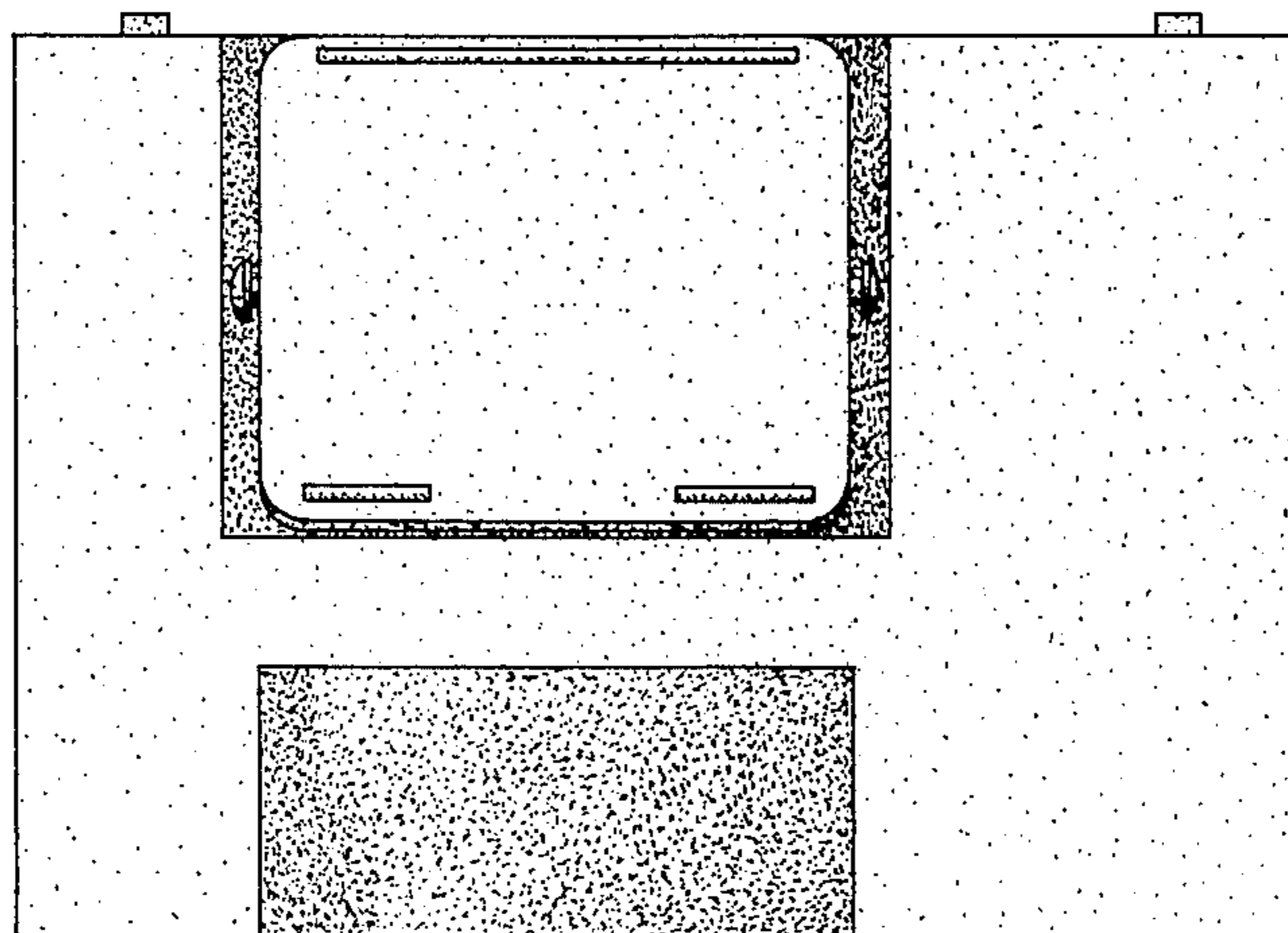


FIG 7



TRT B Ⓟ



TRT B Ⓟ

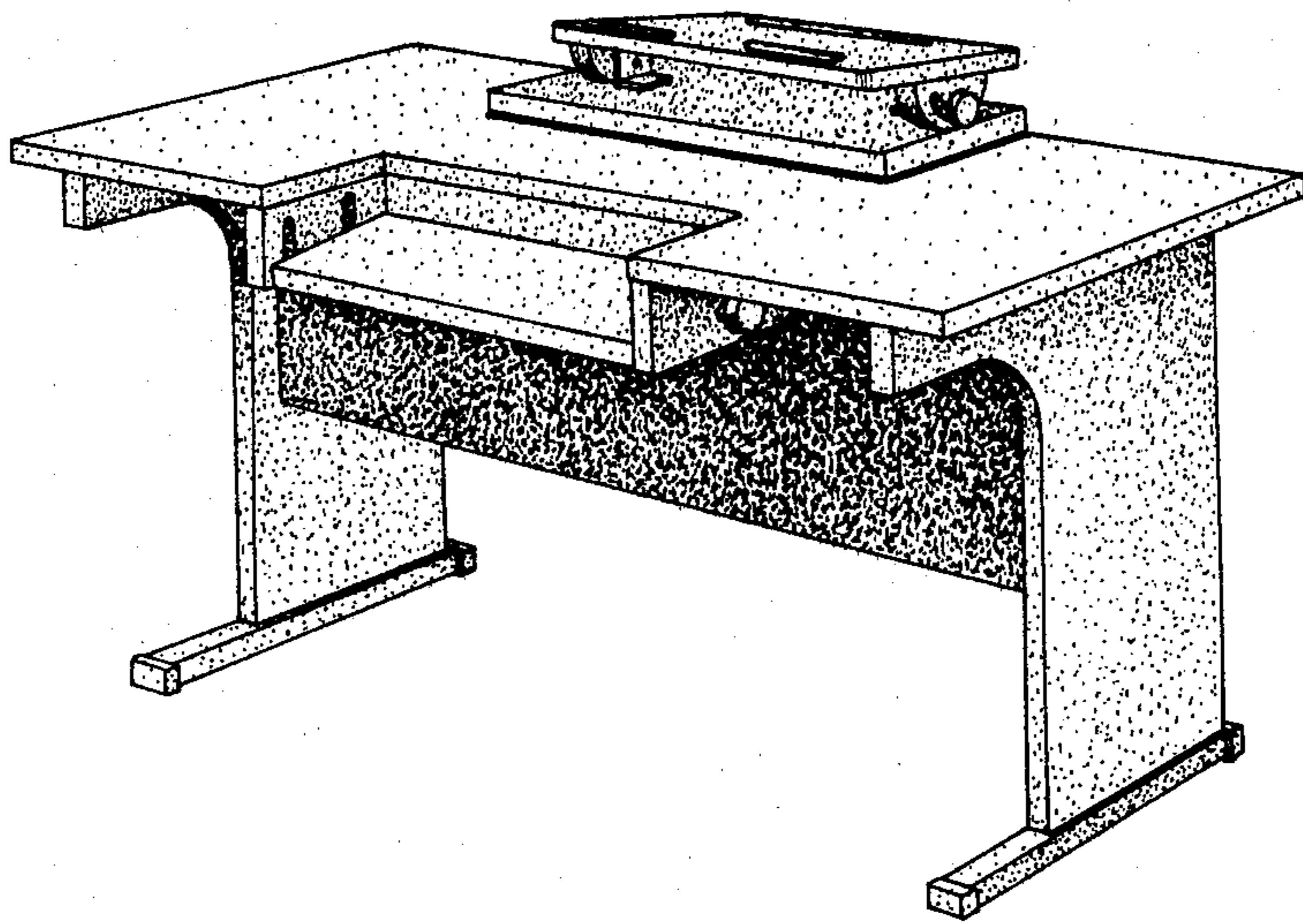


FIG 10

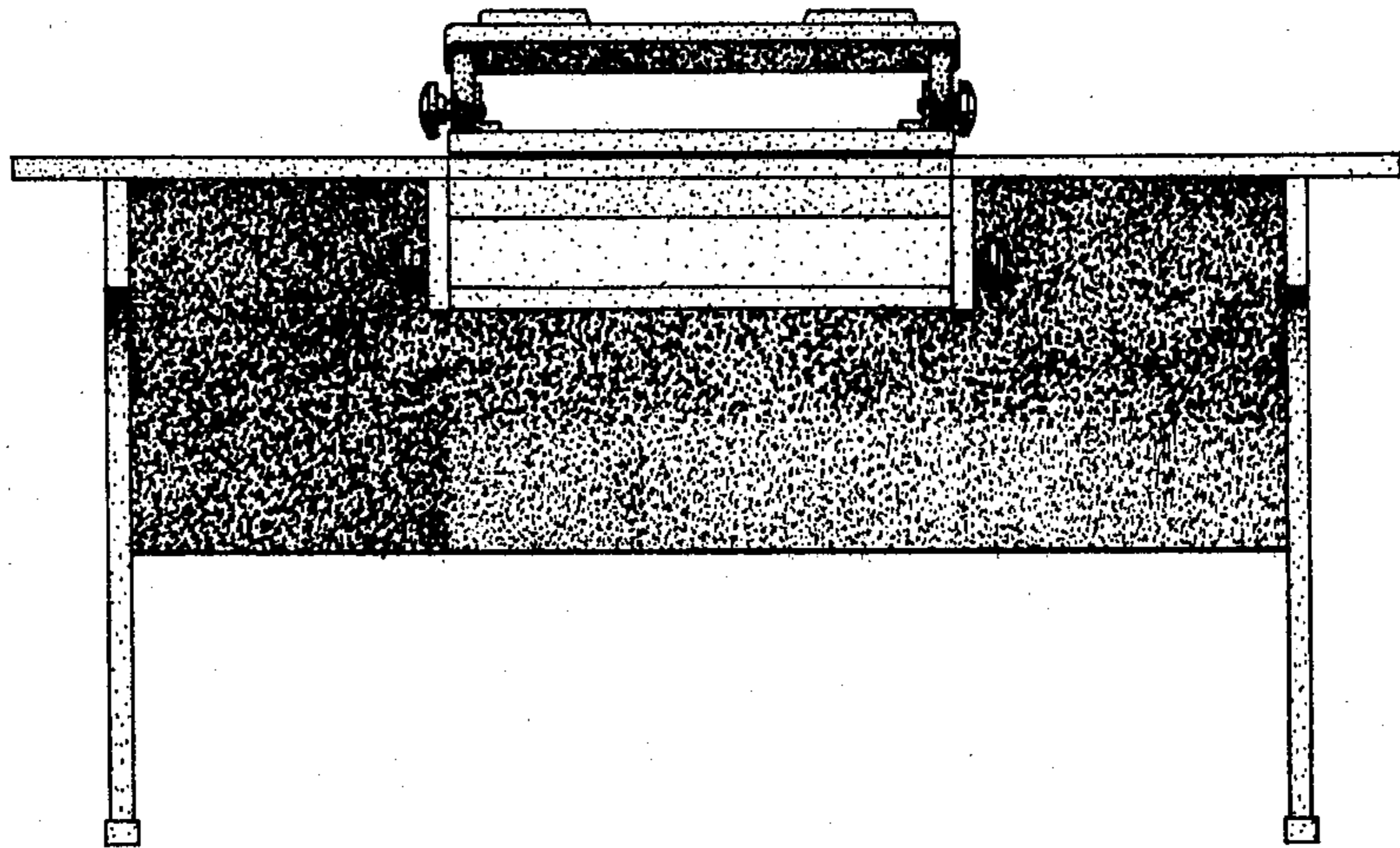


FIG 11

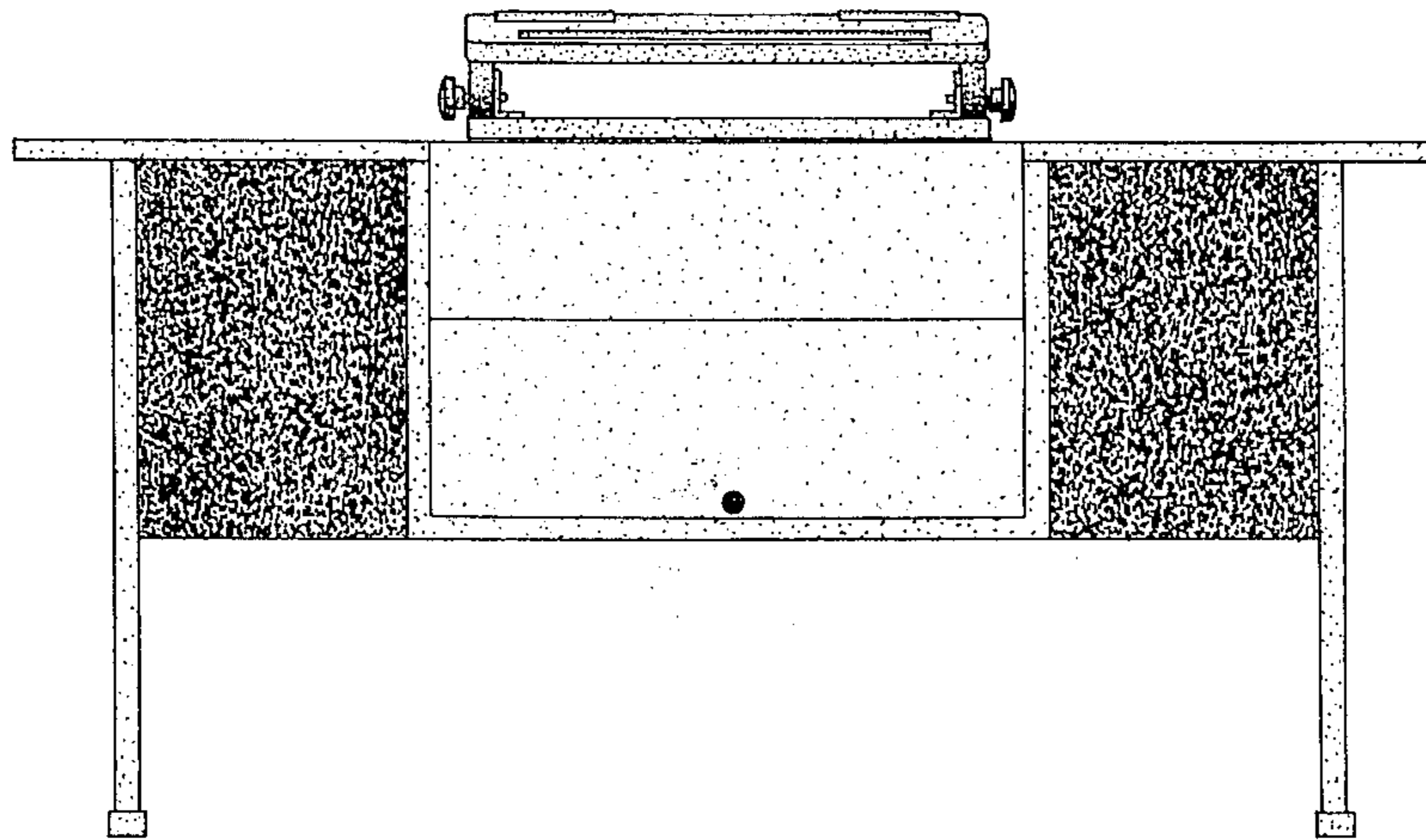


FIG 12

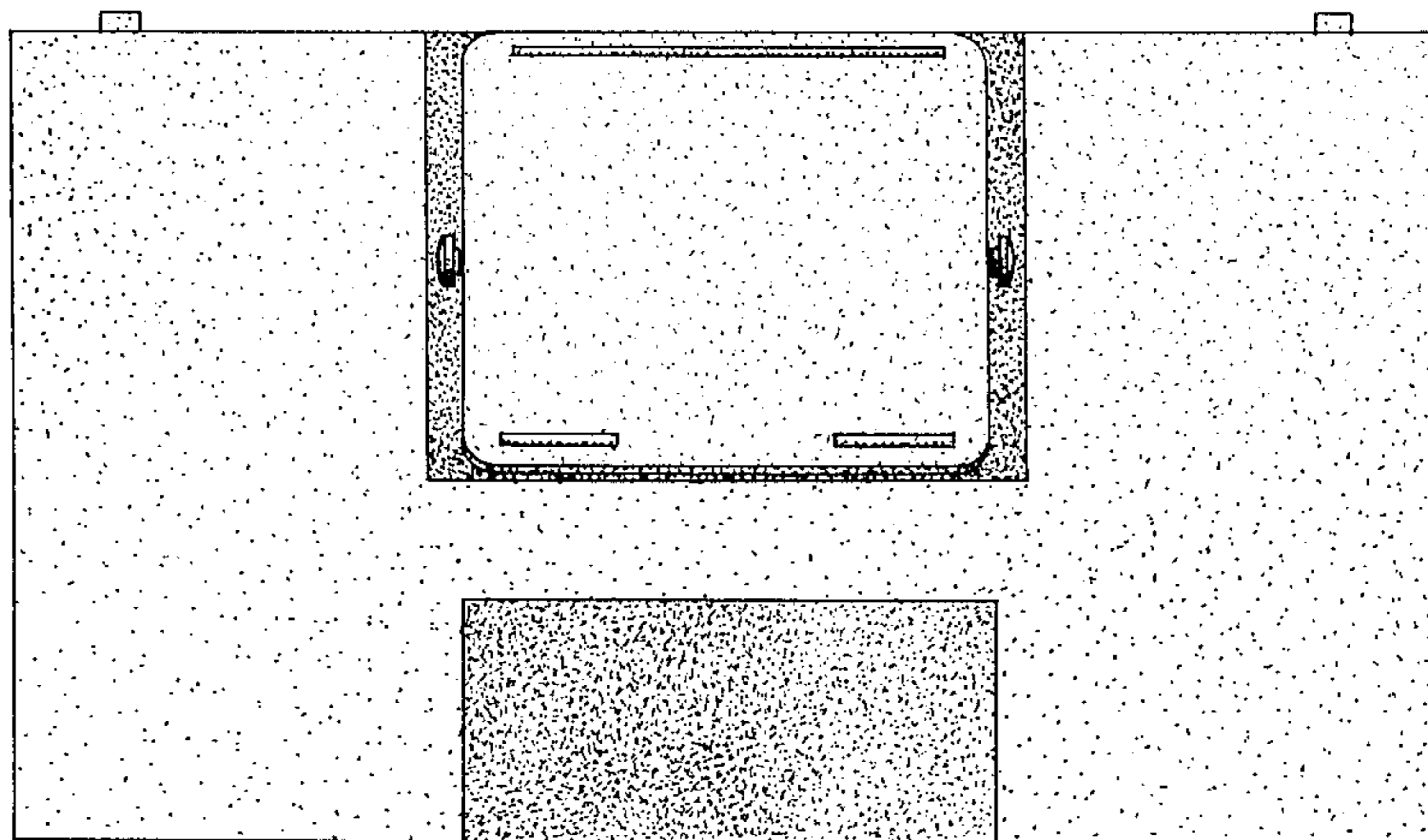


FIG 13