

[54] **WALL MOUNTABLE COLLAPSIBLE RACK**

[75] **Inventor: John N. Smith, Tempe, Ariz.**

[73] **Assignee: Warren F. B. Lindsley, Phoenix, Ariz. ; a part interest**

[*] **Notice: The portion of the term of this patent subsequent to Nov. 29, 1997 has been disclaimed.**

[**] **Term: 14 Years**

[21] **Appl. No.: 371,653**

[22] **Filed: Apr. 26, 1982**

[52] **U.S. Cl. D6/324; D6/553; D8/373; D8/380**

[58] **Field of Search D6/114, 115, 116, 117, D6/118, 120, 124; D8/373, 380, 381; 211/1.3, 13, 87, 105.2, 104; 224/42.45 A.**

[56]

References Cited

U.S. PATENT DOCUMENTS

D. 271,546 11/1983 Smith D6/124

Primary Examiner—B. J. Bullock
Attorney, Agent, or Firm—Warren F. B. Lindsley

[57]

CLAIM

The ornamental design for a wall mountable collapsible rack, as shown and described.

DESCRIPTION

FIG. 1 is a perspective view illustrating one side, top and one end of a wall mountable collapsible rack showing my new design;

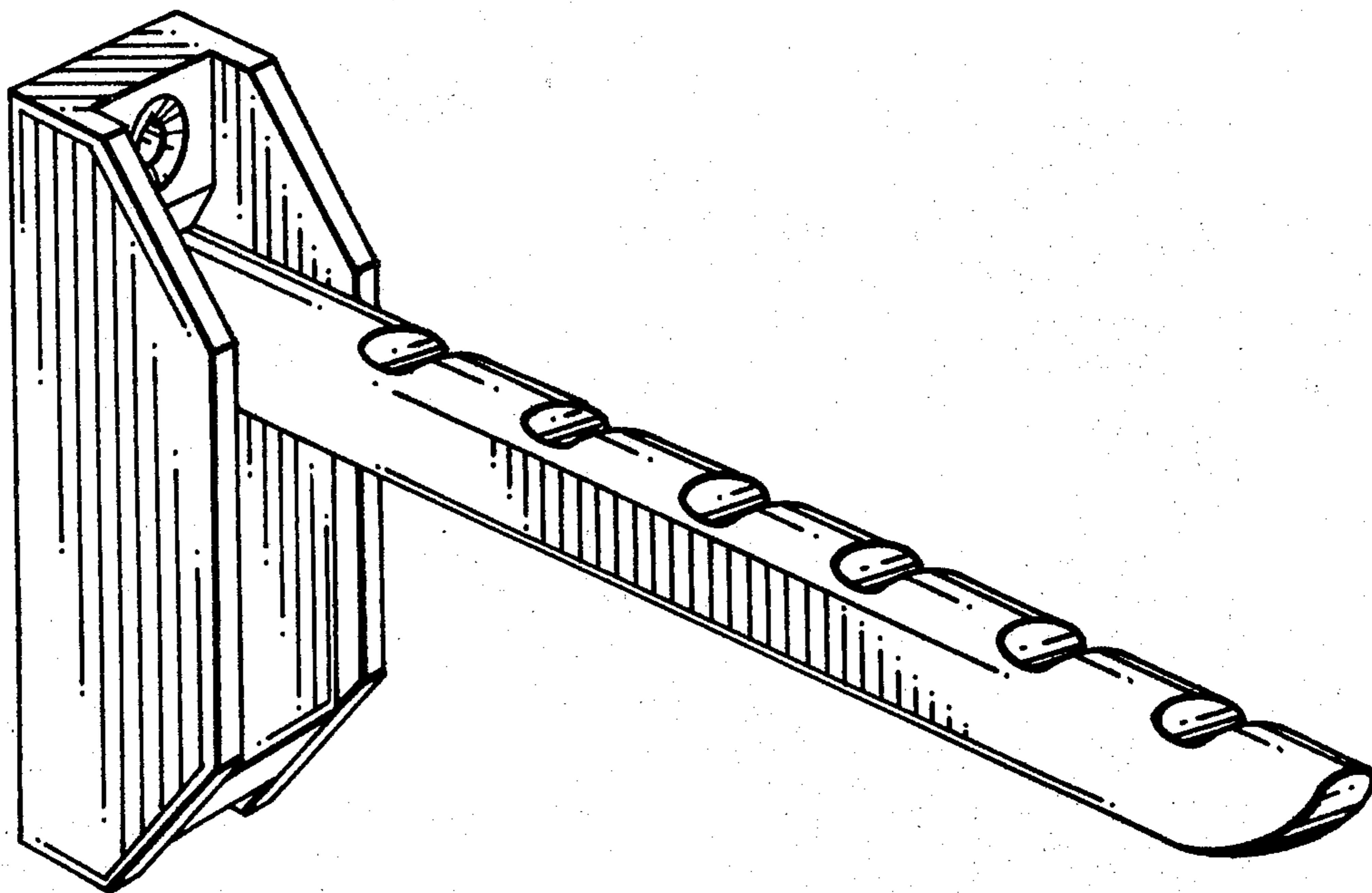
FIG. 2 is a perspective view taken from the other side thereof showing its bottom and other end;

FIG. 3 is a fragmentary top view of FIG. 1;

FIG. 4 is a perspective view of the back and one side of the structure shown in FIG. 1 in its collapsed and arm storing position;

FIG. 5 is a perspective view of the front and other side of the structure in its collapsed position; and

FIG. 6 is a top view of FIG. 5.



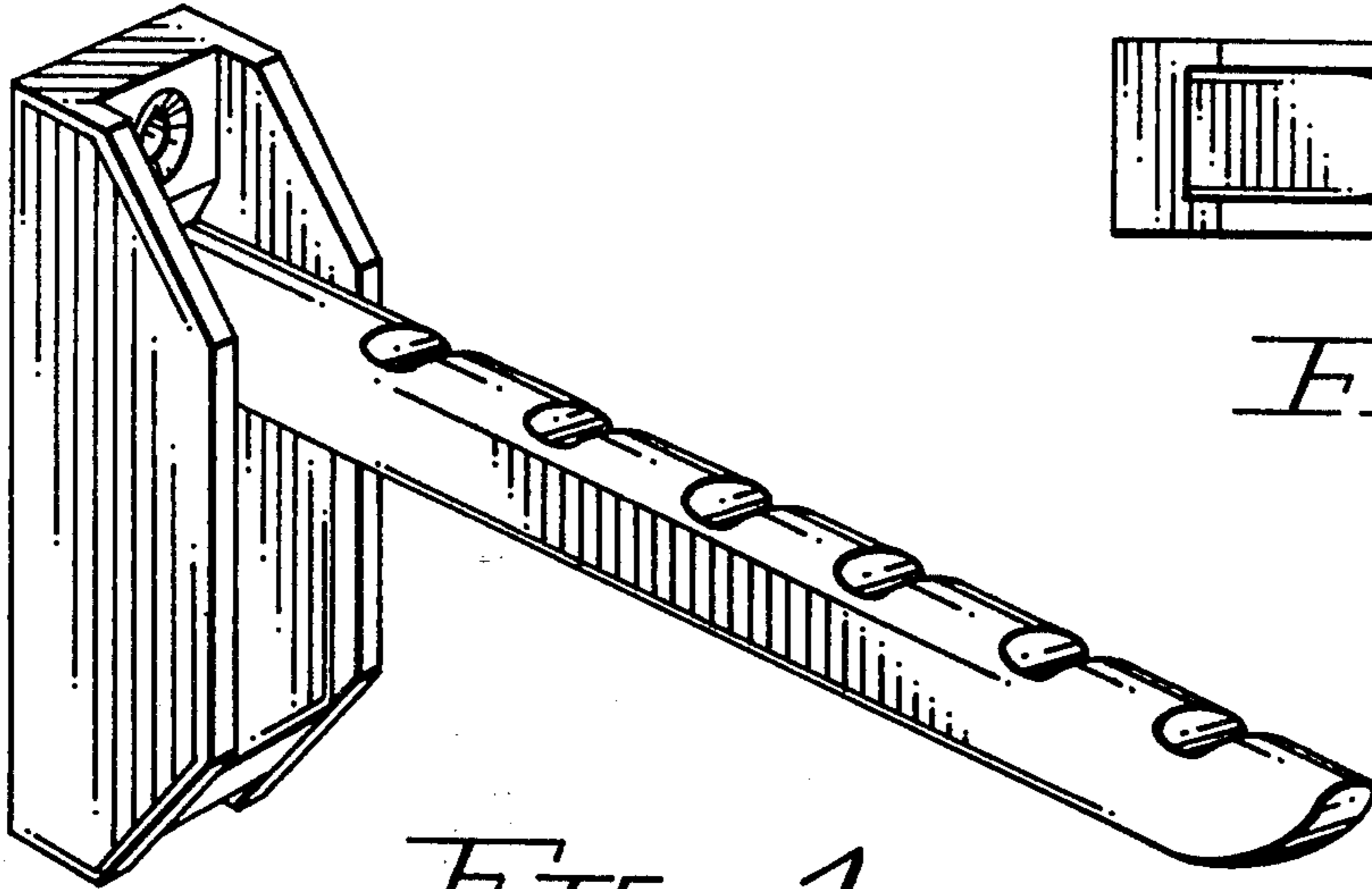


FIG. 1

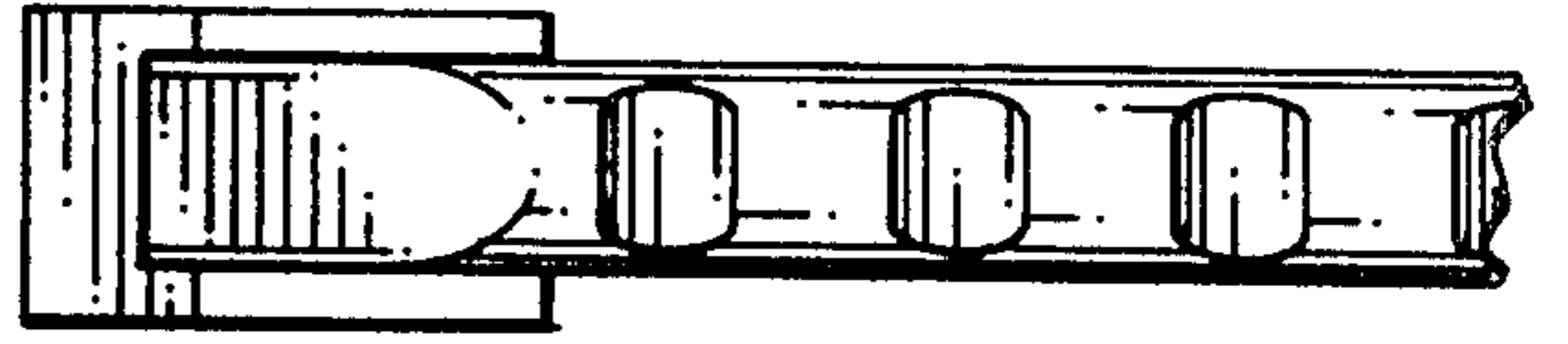


FIG. 3

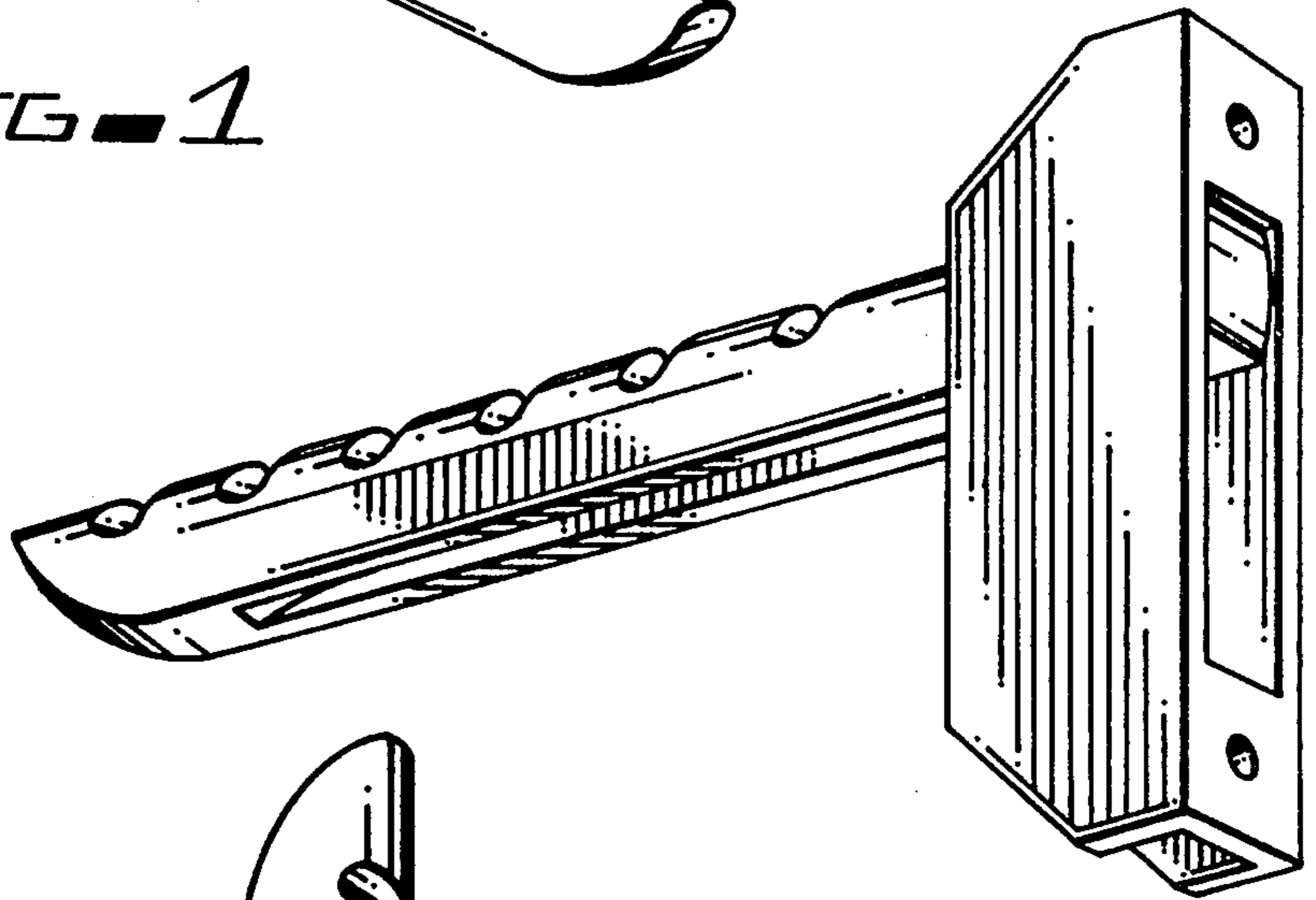


FIG. 2

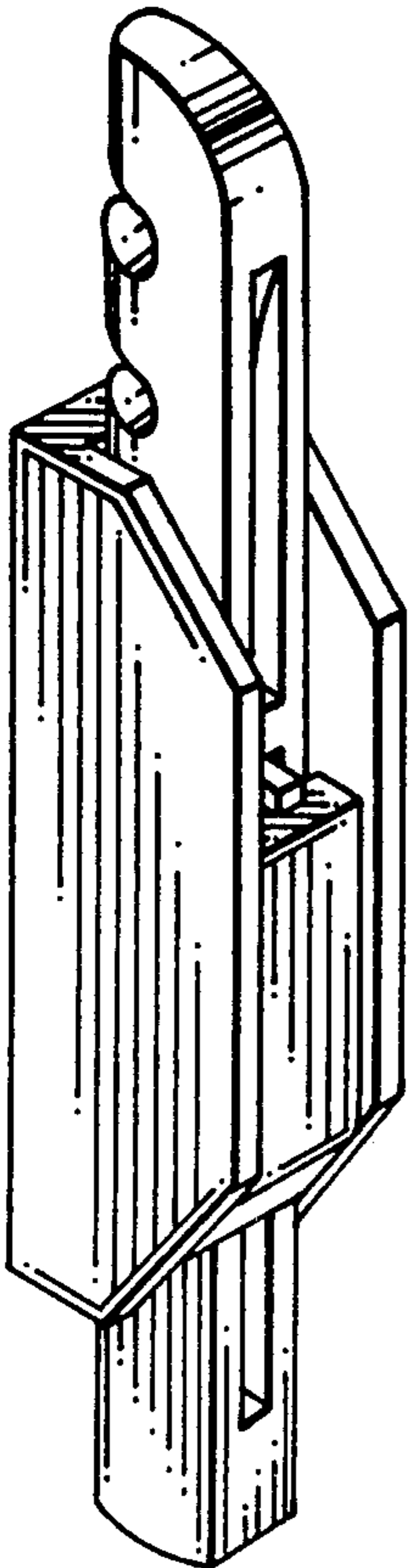


FIG. 4

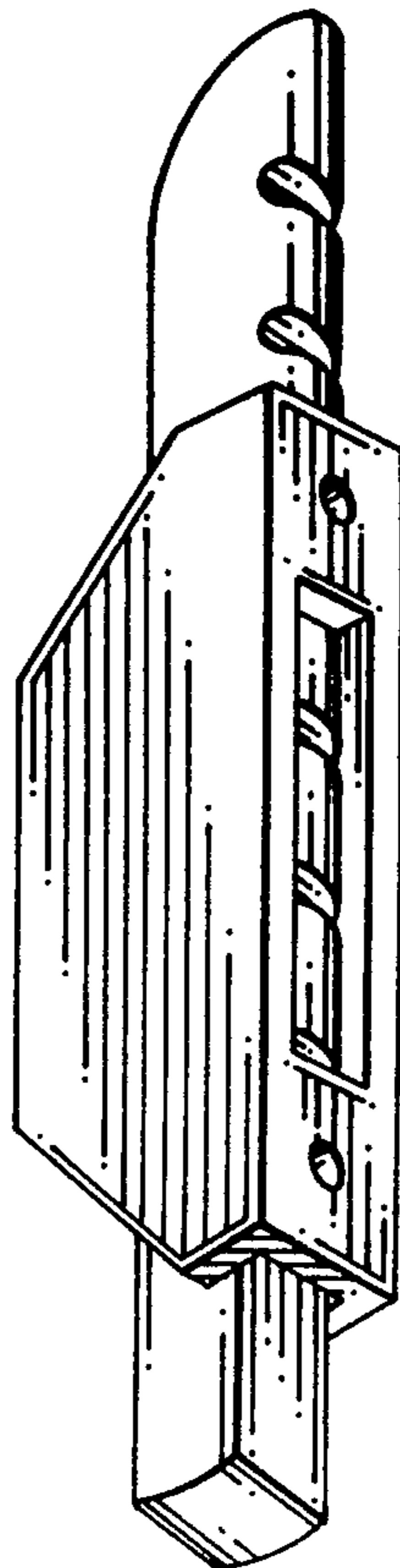


FIG. 5

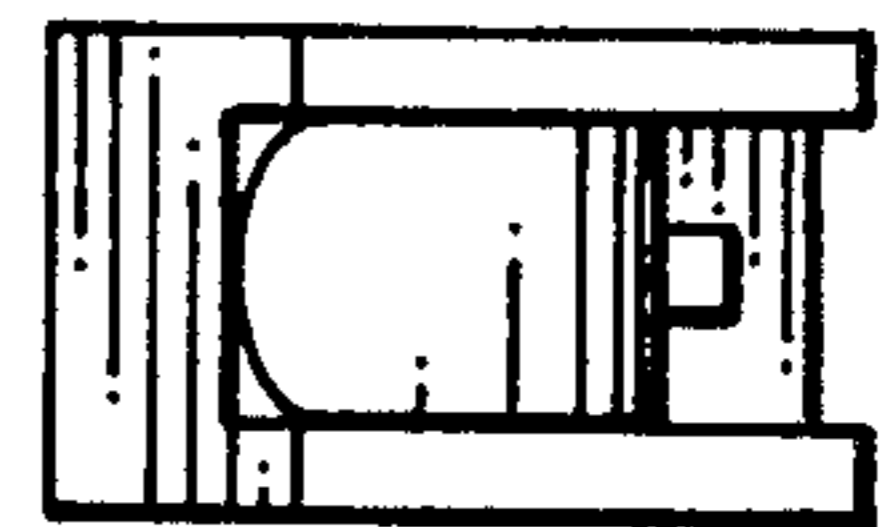


FIG. 6