

United States Patent [19]

Mori et al.

[11] Patent Number: **Des. 276,181**

[45] Date of Patent: **** Oct. 30, 1984**

[54] **OIL HEATER**

[75] Inventors: **Daisaku Mori; Youichi Takahashi,**
both of Nara, Japan

[73] Assignee: **Matsushita Electric Industrial Co.,**
Ltd., Osaka, Japan

[**] Term: **14 Years**

[21] Appl. No.: **389,791**

[22] Filed: **Jun. 18, 1982**

[30] **Foreign Application Priority Data**

Feb. 19, 1982 [JP] Japan 57-7130

[52] U.S. Cl. **D23/121**

[58] Field of Search **D23/92, 93, 119-124;**
126/92-97

[56] **References Cited**

PUBLICATIONS

Hardware Age-May 1981-p. 8-Kerosun Heater at lower right.

Hardware Age-June 1981-p. 57-Corona Heaters.

Primary Examiner—Catherine E. Kemper

Attorney, Agent, or Firm—Sughrue, Mion, Zinn, Macpeak & Seas

[57] **CLAIM**

The ornamental design for an oil heater, as shown.

DESCRIPTION

FIG. 1 is a front, top and right side perspective view of an oil heater showing our new design;

FIG. 2 is a rear, bottom and left side perspective view thereof;

FIG. 3 is a top plan view thereof;

FIG. 4 is a left side elevational view thereof; and

FIG. 5 is a right side elevational view thereof.

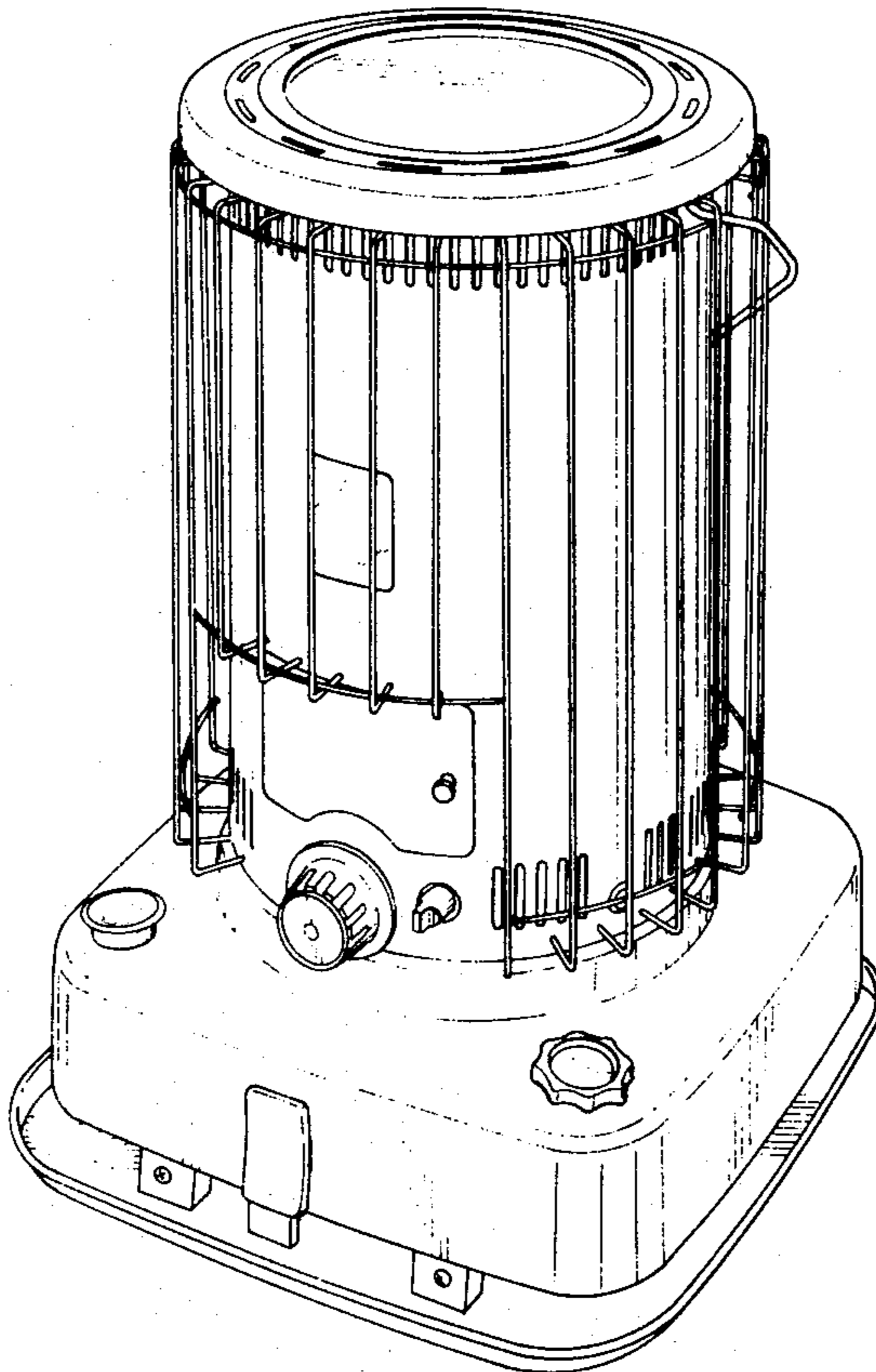


Fig. 1

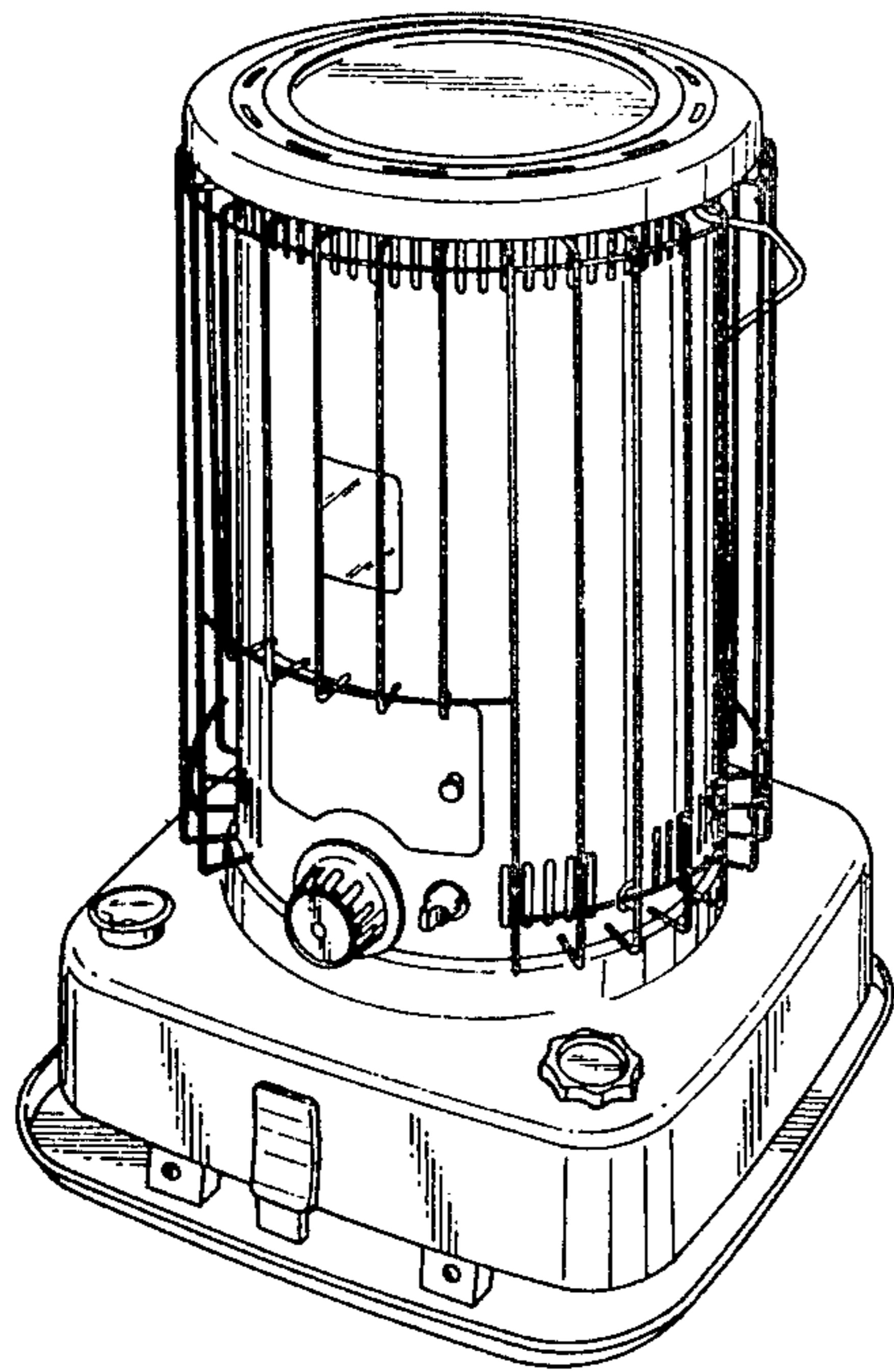
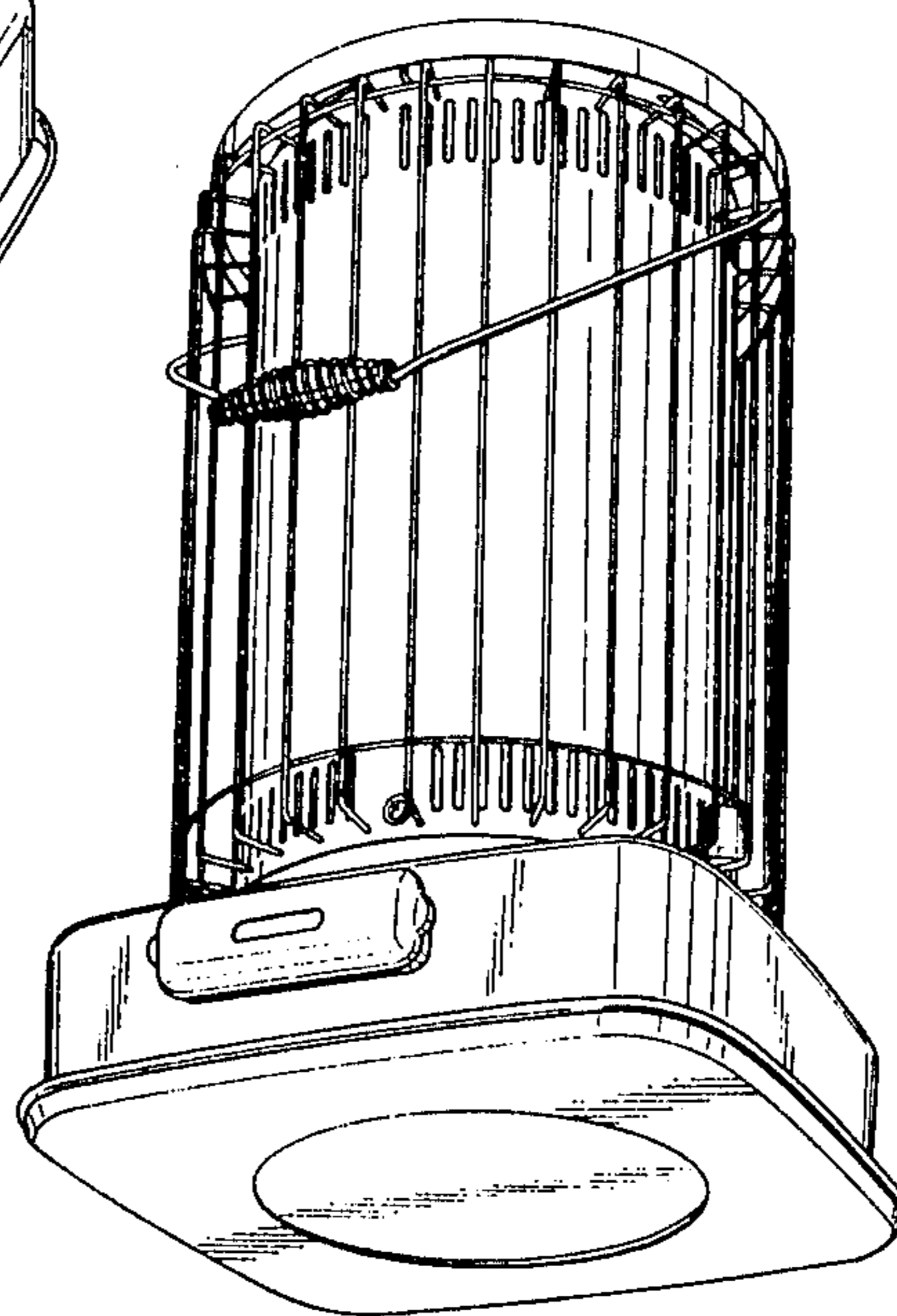


Fig. 2



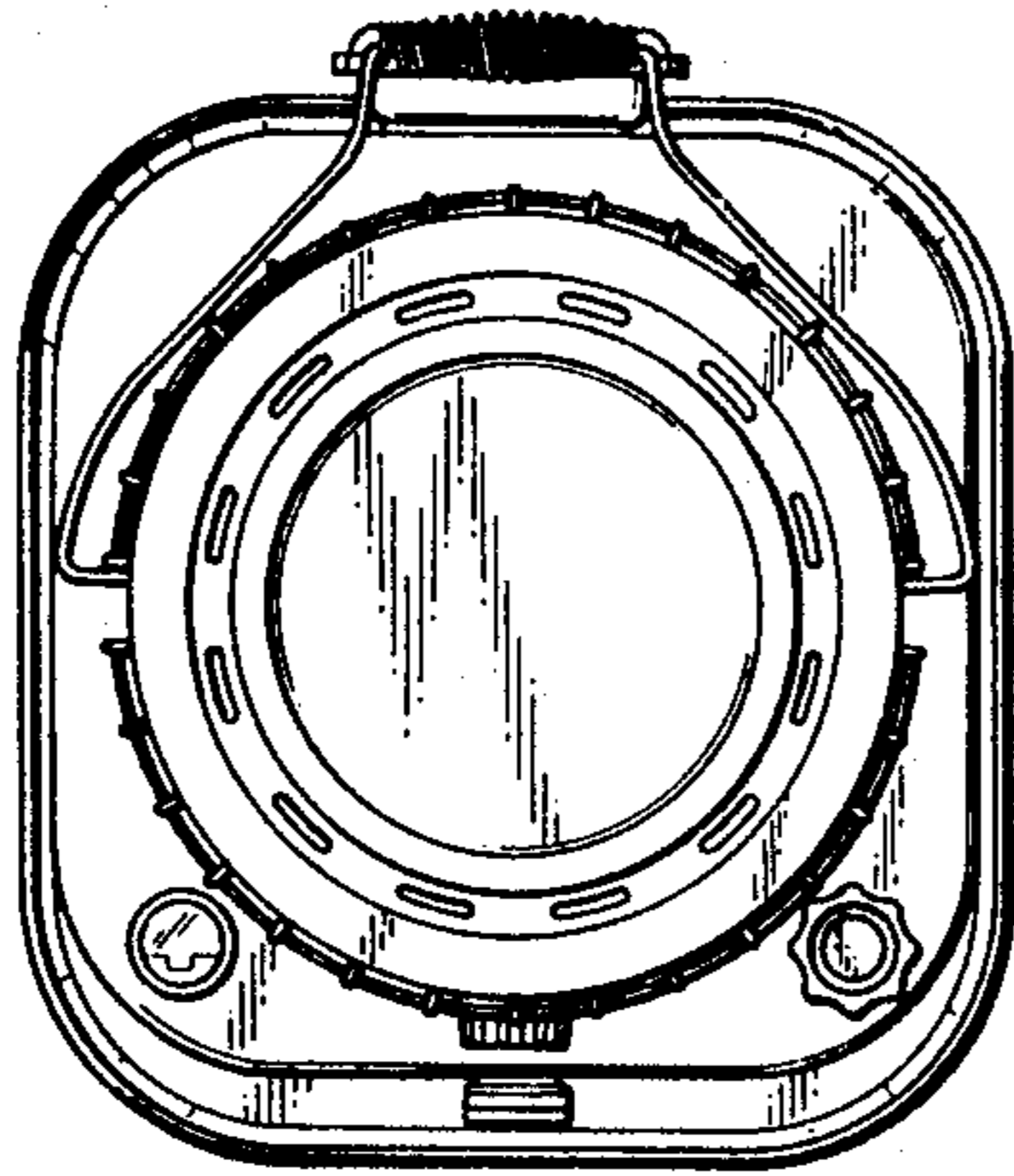


Fig. 3

Fig. 4

Fig. 5

