

- [54] **DRYER**
- [75] **Inventor: Donald W. Doman, Janesville, Wis.**
- [73] **Assignee: Kohler Co., Kohler, Wis.**
- [\*\*] **Term: 14 Years**
- [21] **Appl. No.: 582,829**
- [22] **Filed: Feb. 23, 1984**

**Related U.S. Application Data**

- [62] **Division of Ser. No. 377,305, May 12, 1982.**
- [52] **U.S. Cl. .... D23/74**
- [58] **Field of Search ..... D23/74; 219/364, 370,  
219/373; 34/201, 243 R**

**References Cited**

**U.S. PATENT DOCUMENTS**

- D. 157,739 3/1950 Clemens et al. .
- D. 170,353 9/1953 Fine ..... D23/74
- D. 176,096 11/1955 Birnbach ..... D23/74
- D. 200,896 4/1965 Gallup ..... D23/74
- D. 218,427 8/1970 Beyer ..... D23/74

- D. 253,244 10/1979 Aroa ..... D23/74
- 2,634,514 4/1953 Clemens ..... D23/74

**OTHER PUBLICATIONS**

A page from an undated Electric-Aire Corp. Brochure entitled "Electric-Aire Stainless Steel Dryers . . .".  
A page from an undated American Dryer Brochure entitled "A Better, Safer, More Sanitary Way to Dry Hands . . . Pays for Itself."

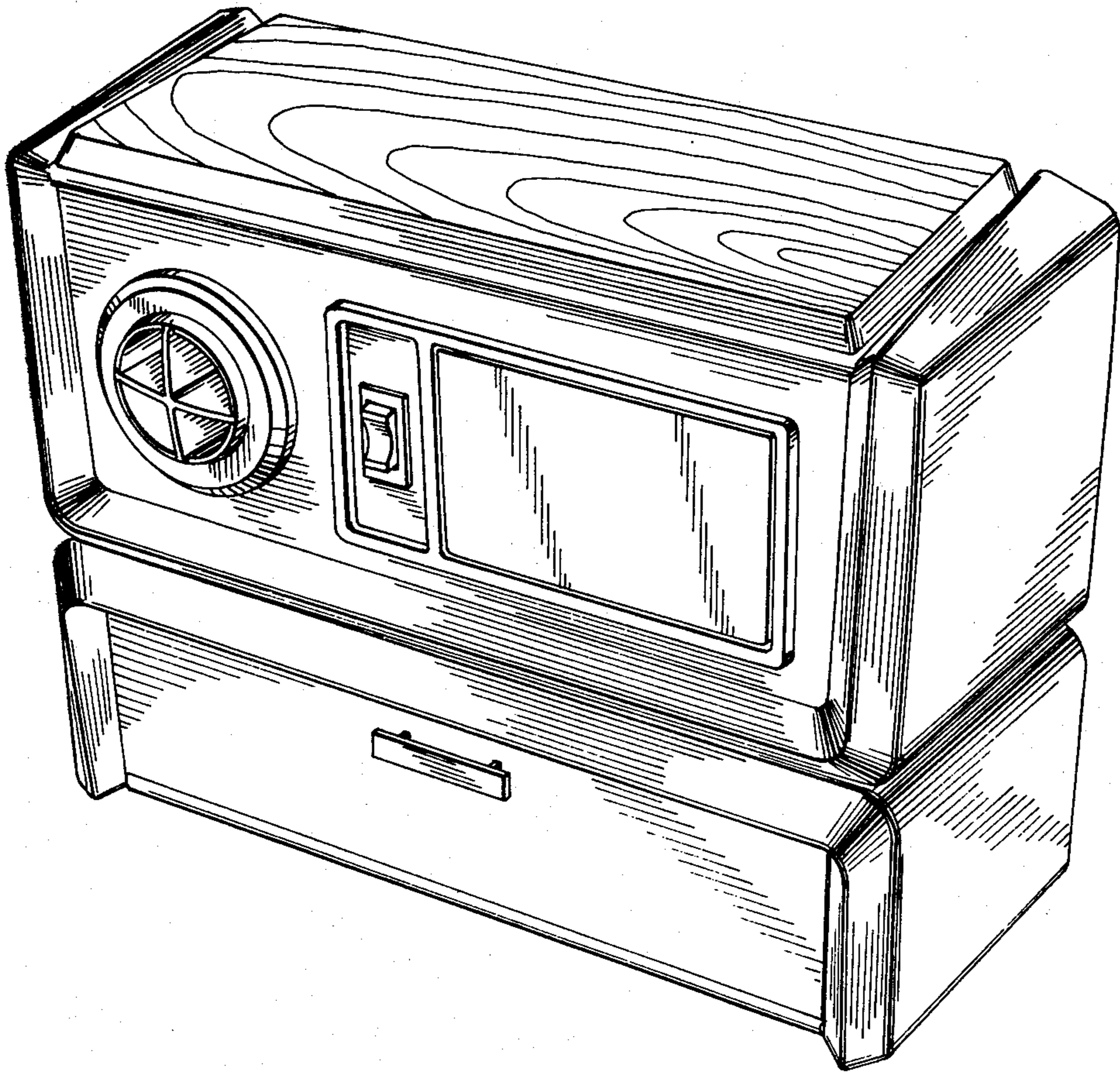
*Primary Examiner*—Catherine E. Kemper  
*Attorney, Agent, or Firm*—Quarles & Brady

[57] **CLAIM**

The ornamental design for a dryer, as shown.

**DESCRIPTION**

FIG. 1 is a perspective view of a dryer showing my new design;  
FIG. 2 is a front elevational view thereof;  
FIG. 3 is a top plan view thereof;  
FIG. 4 is a right side elevational view thereof;  
FIG. 5 is a left side elevational view thereof; and  
FIG. 6 is a bottom plan view thereof.



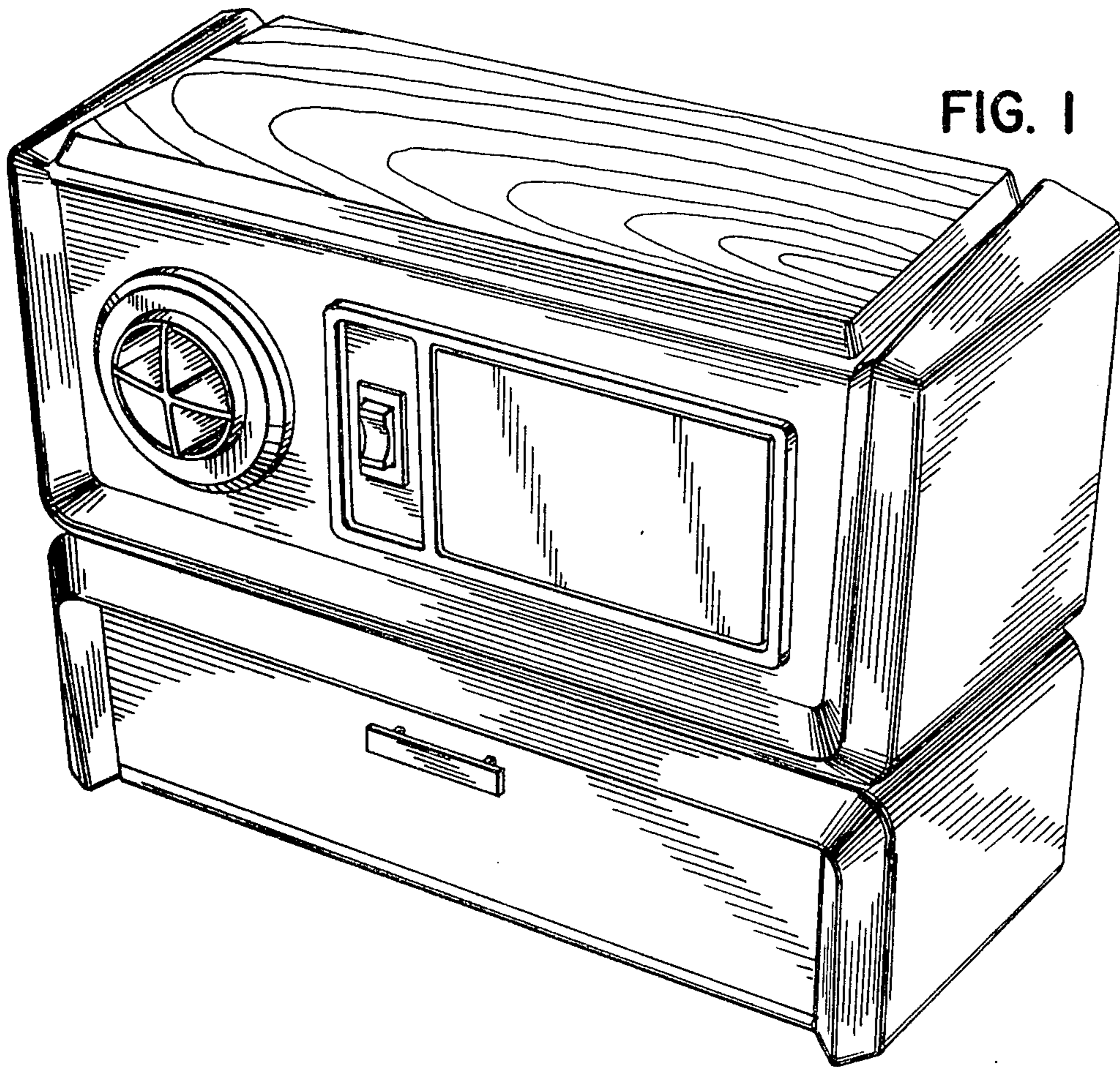


FIG. 2

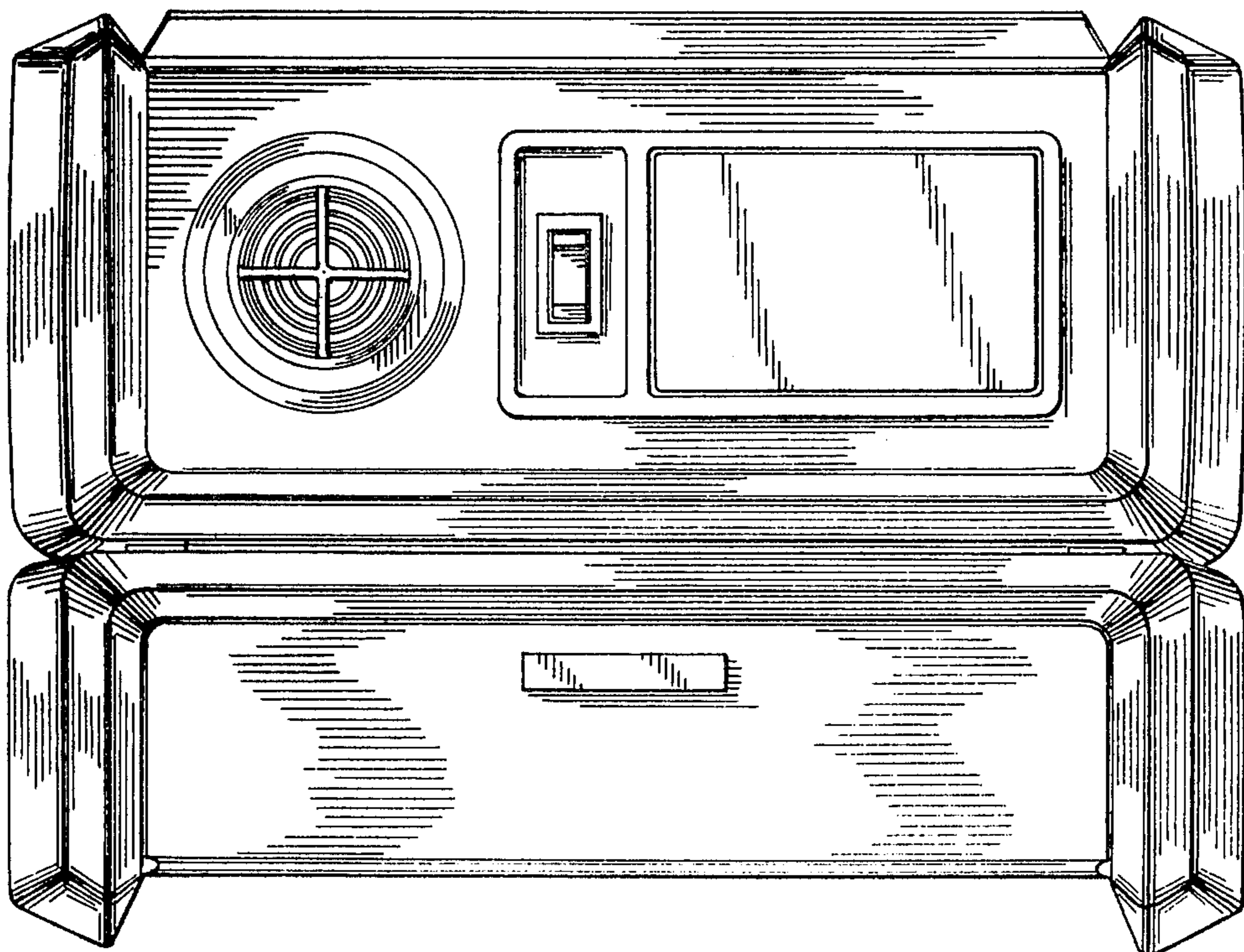




FIG. 3

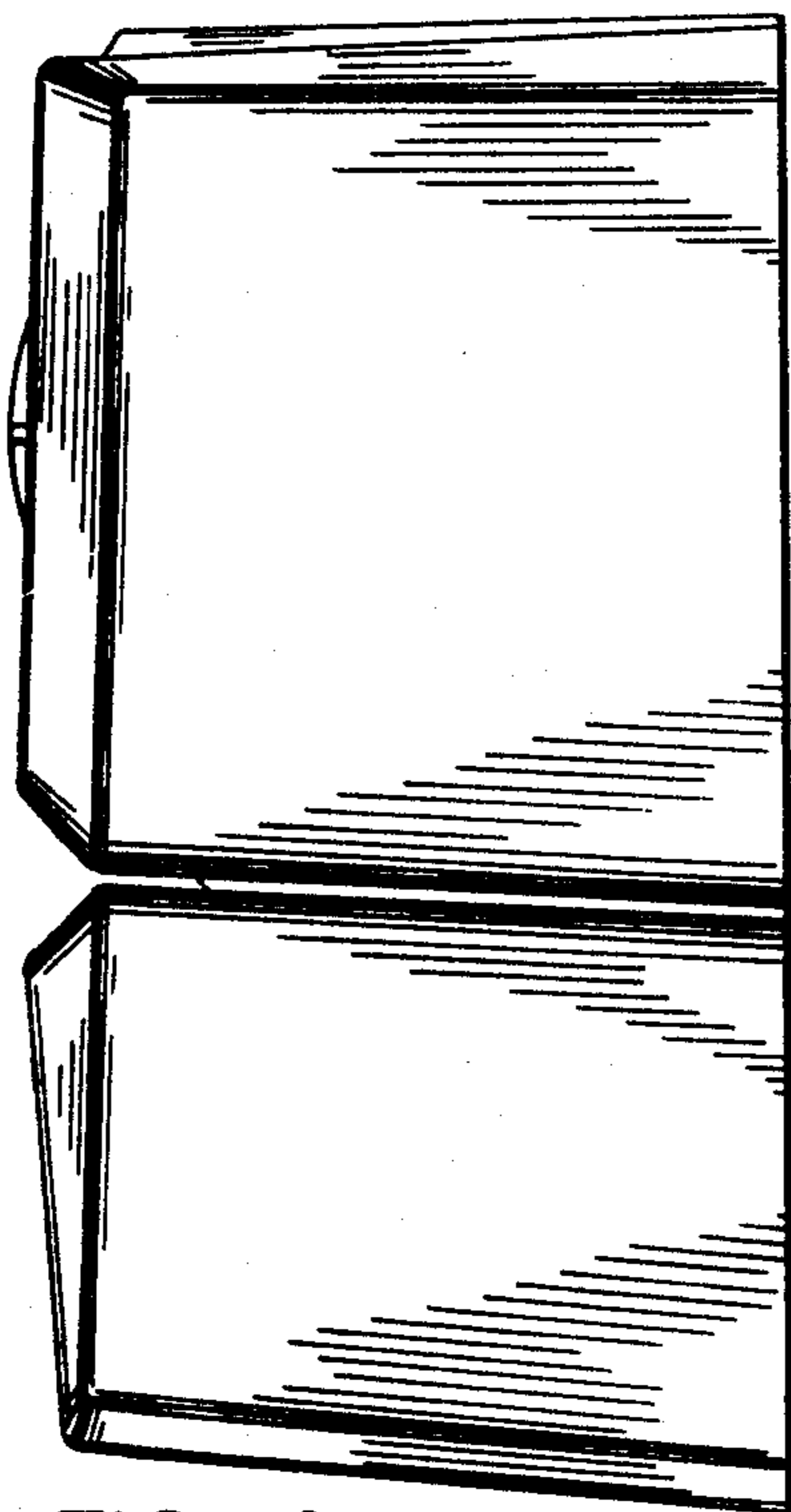


FIG. 4

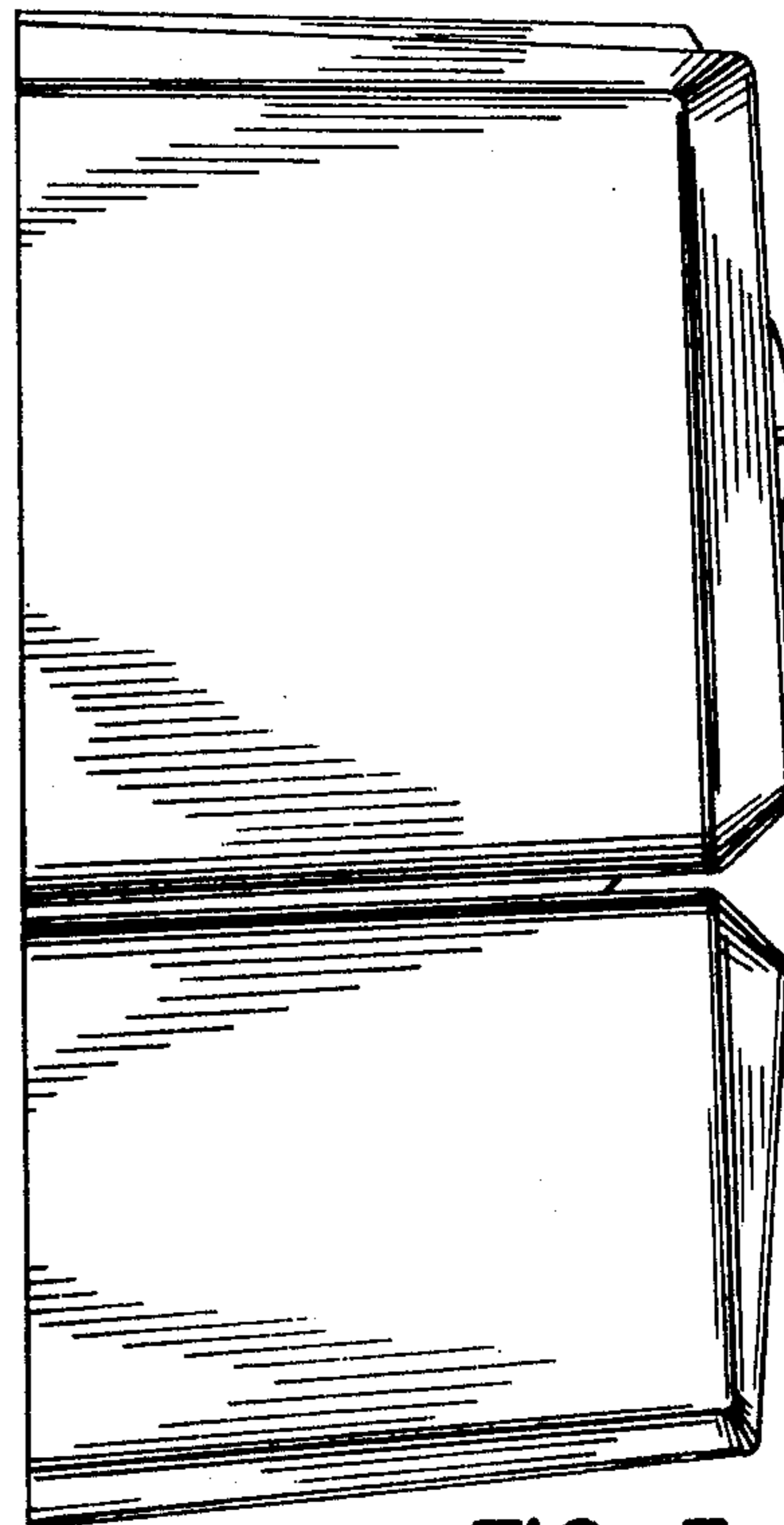


FIG. 5

FIG. 6

