

[54] **WATER CLOSET OR SIMILAR ARTICLE**

[75] **Inventor: Jack N. Kaiser, Danville, Ky.**

[73] **Assignee: American Standard Inc., New York, N.Y.**

[**] **Term: 14 Years**

[21] **Appl. No.: 346,985**

[22] **Filed: Feb. 8, 1982**

[52] **U.S. Cl. D23/65**

[58] **Field of Search D23/51, 65-68**

[56] **References Cited**

U.S. PATENT DOCUMENTS

D. 199,049	9/1964	Kaiser	D23/67
D. 221,652	8/1971	Harvey	D23/67
D. 250,202	11/1978	Doman et al.	D23/65
D. 261,797	11/1981	Kaiser	D23/51
D. 262,647	1/1982	Kaiser	D23/65
D. 264,620	5/1982	Kaiser	D23/65
D. 268,780	4/1983	Doman et al.	D23/65
D. 271,326	11/1983	Doman et al.	D23/65
4,041,554	8/1977	Gregory	4/420

4,162,548 7/1979 Groombridge et al. 4/300

Primary Examiner—James R. Largen
Attorney, Agent, or Firm—James J. Salerno, Jr.; Robert G. Crooks; John P. Sinnott

[57] **CLAIM**

The ornamental design for a water closet or similar article, substantially as shown and described.

DESCRIPTION

FIG. 1 is a left side elevational view of a water closet or similar article embodying my new design, the right side being a mirror image of the right side shown; FIG. 2 is a front elevational view thereof; FIG. 3 is a top plan view thereof; FIG. 4 is a rear elevational view thereof; FIG. 5 is a bottom plan view thereof; FIG. 6 is a cross sectional view taken on line 6—6 of FIG. 3; and FIG. 7 is a cross sectional view taken on line 7—7 of FIG. 3.

The broken line showing of a toilet seat in FIG. 1 is for purposes of illustration only and forms no part of the claimed design.

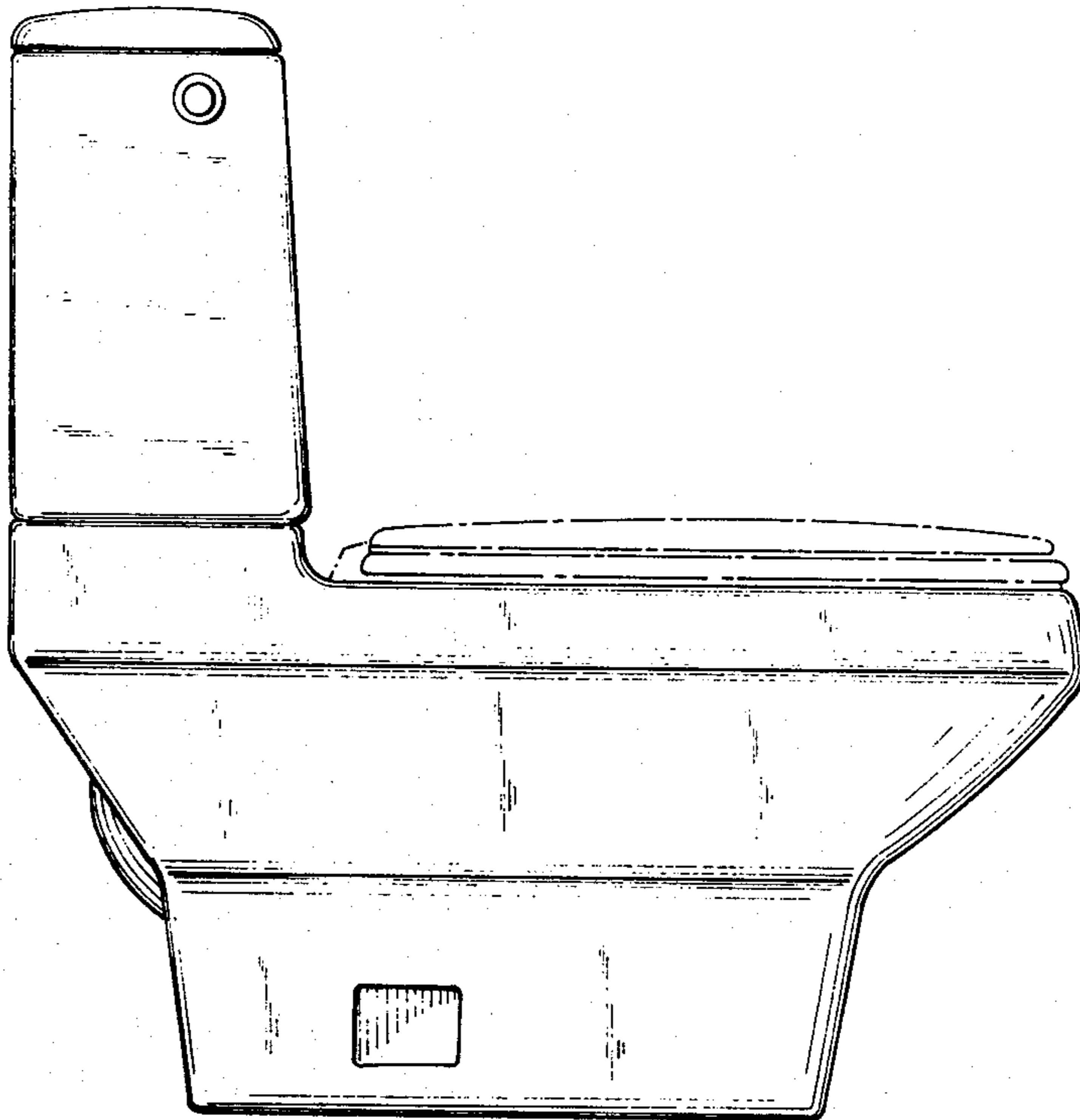


FIG. 1

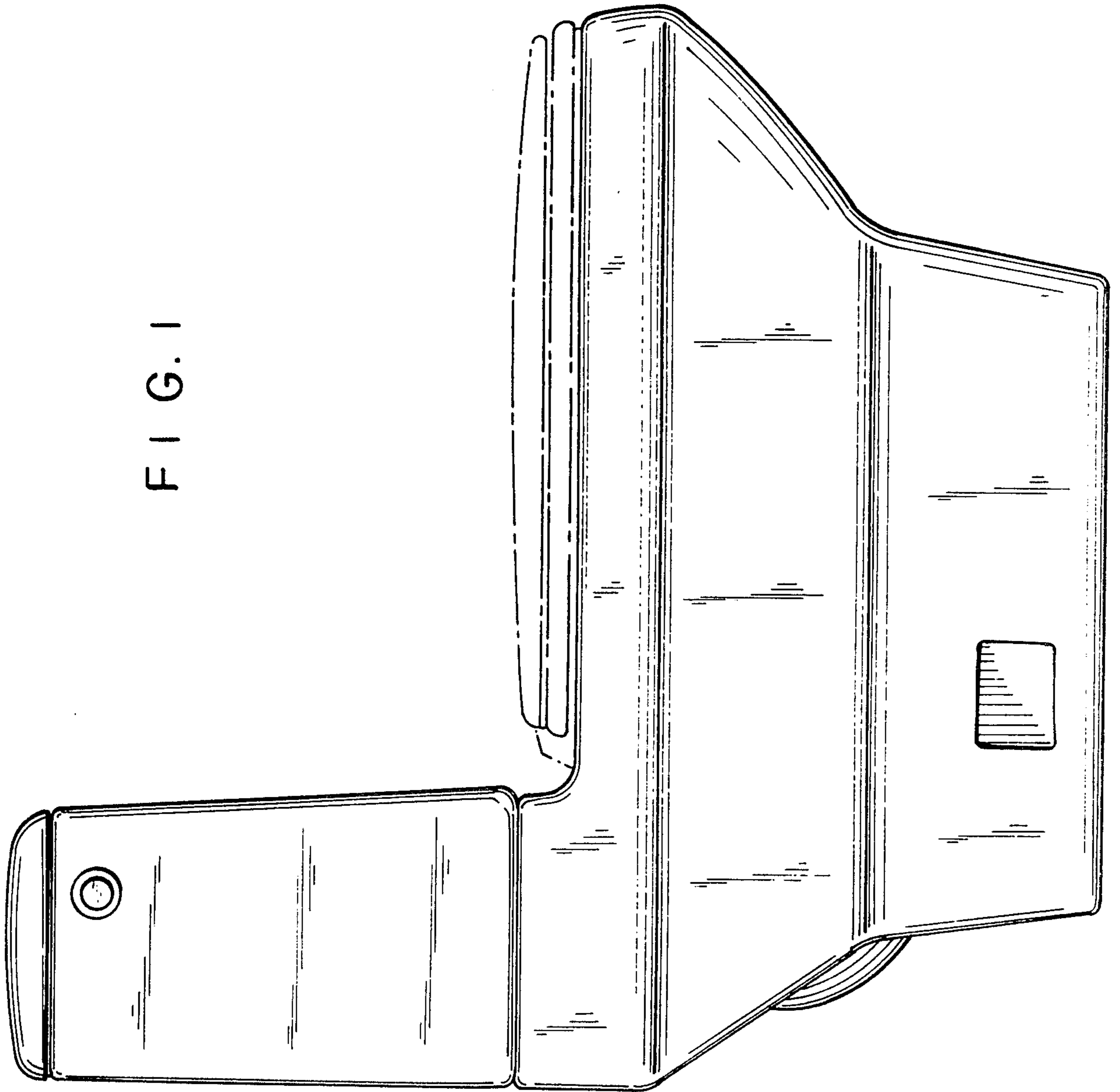
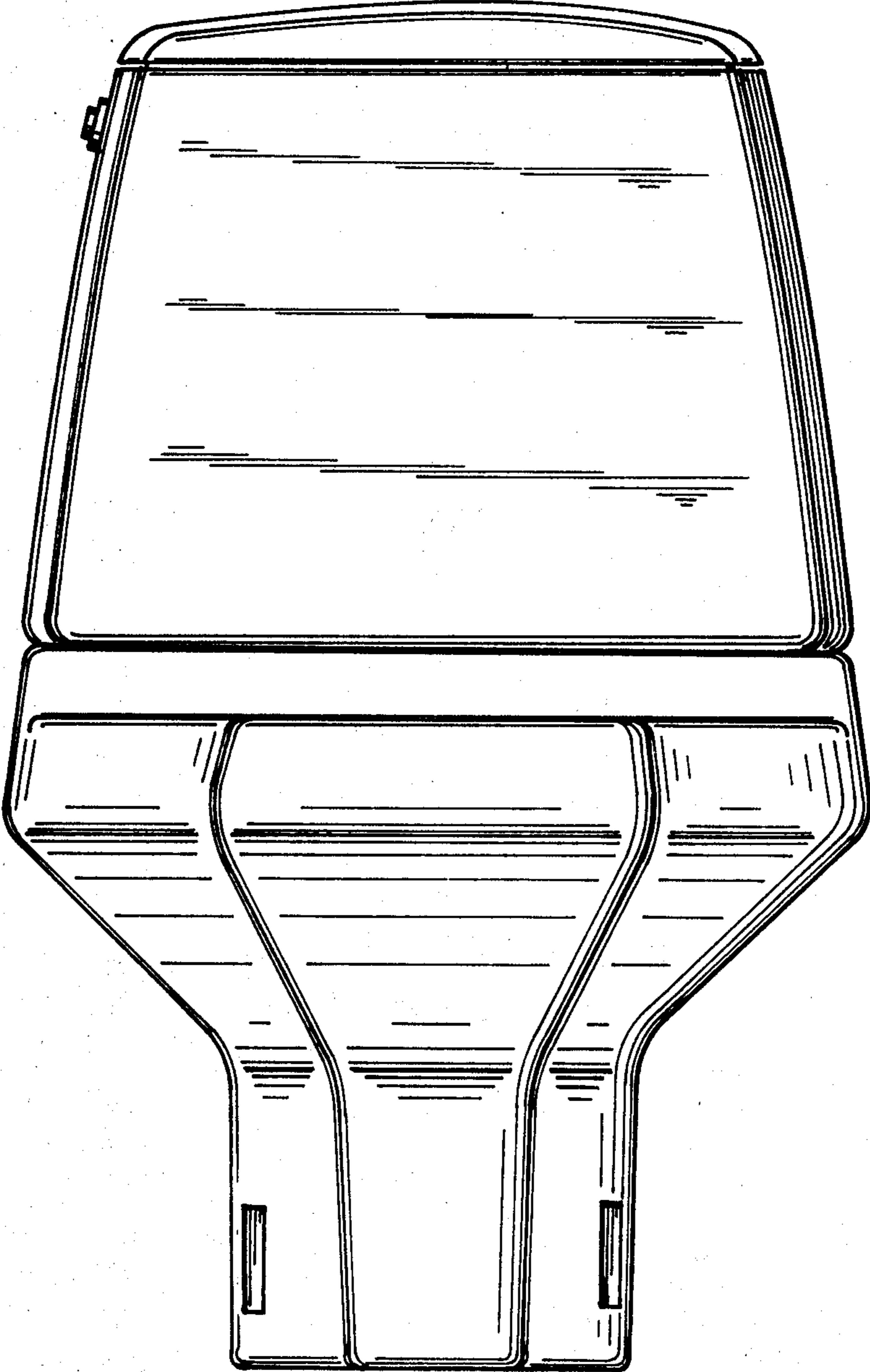


FIG. 2



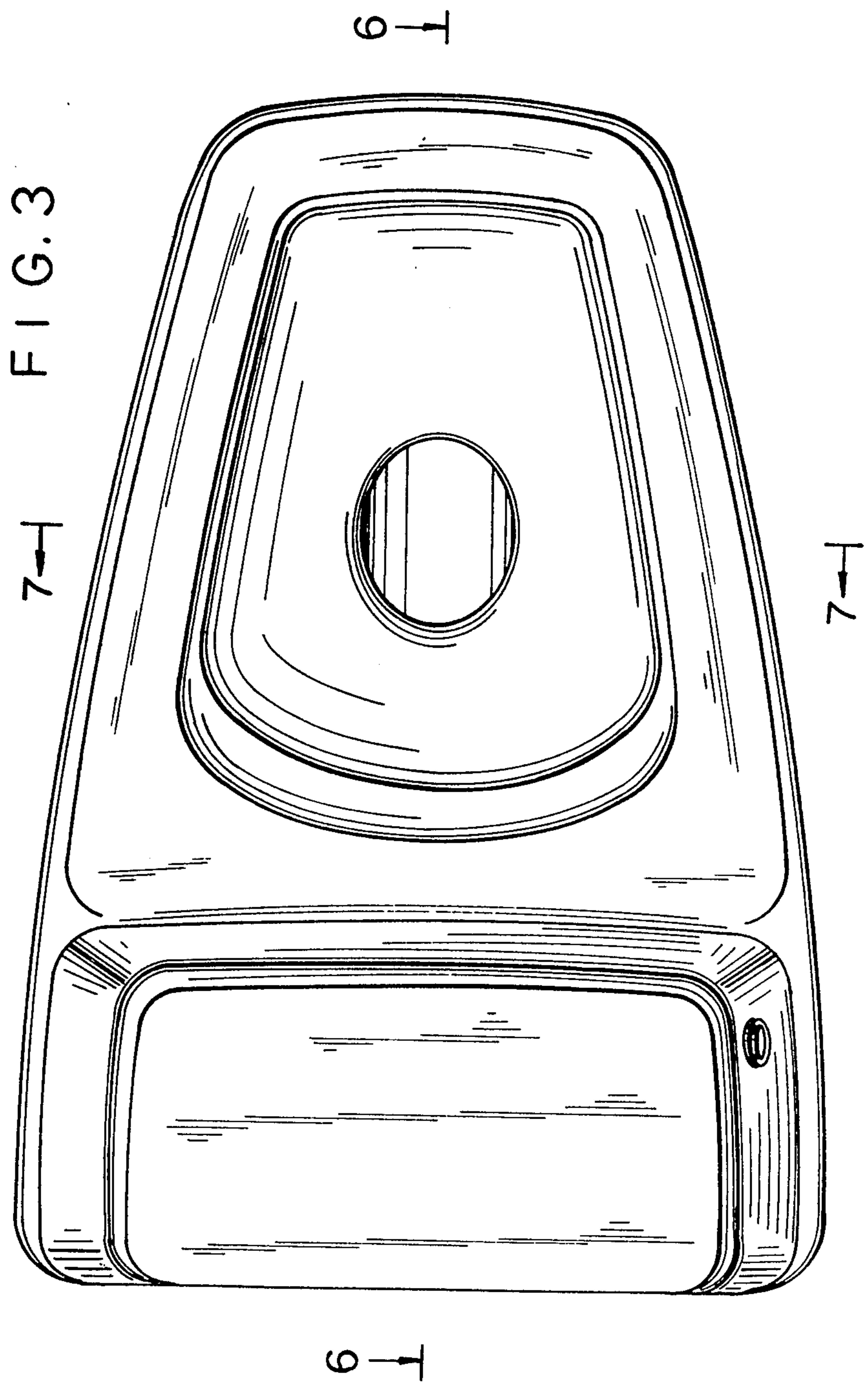


FIG. 4

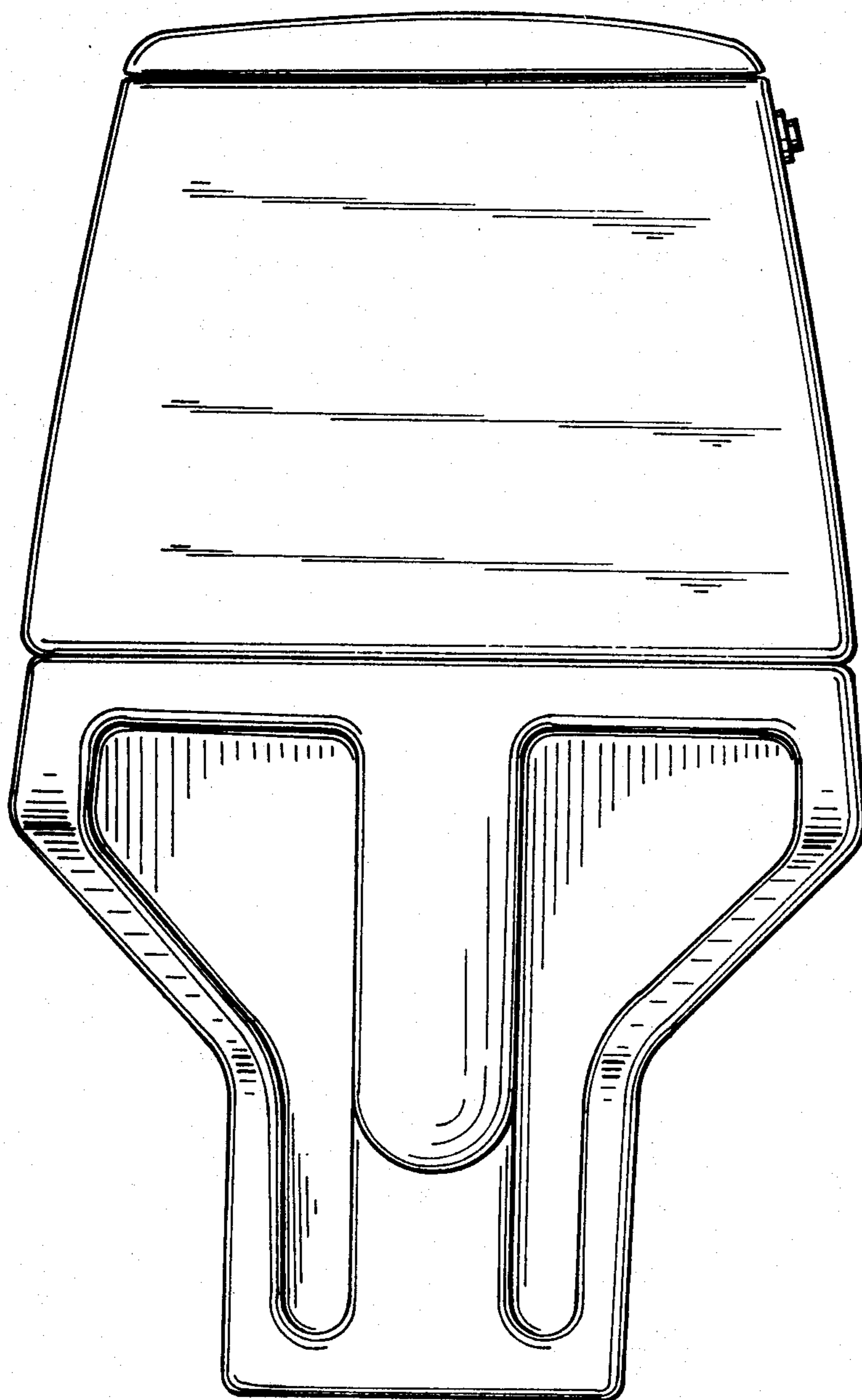


FIG. 5

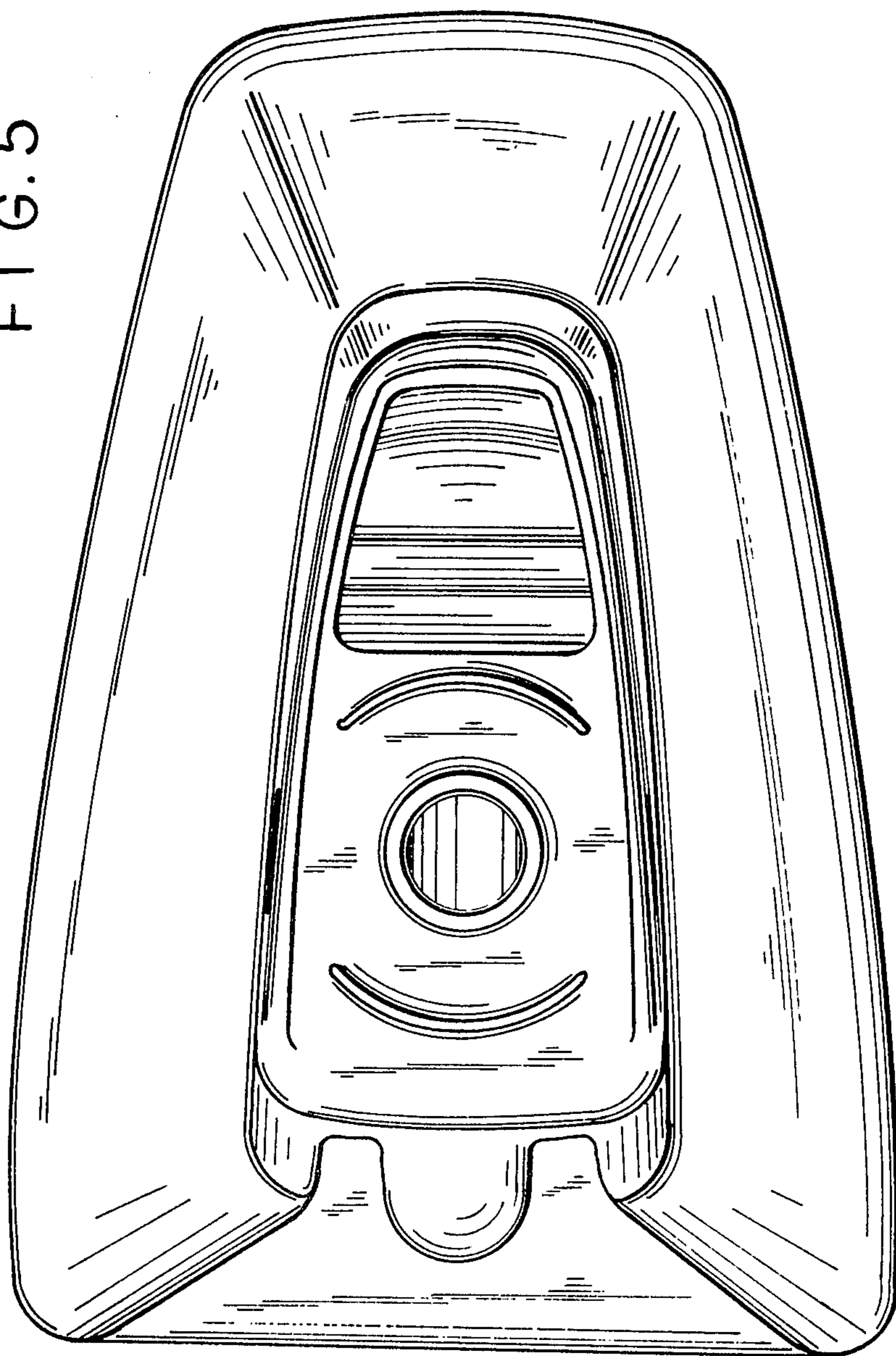


FIG. 6

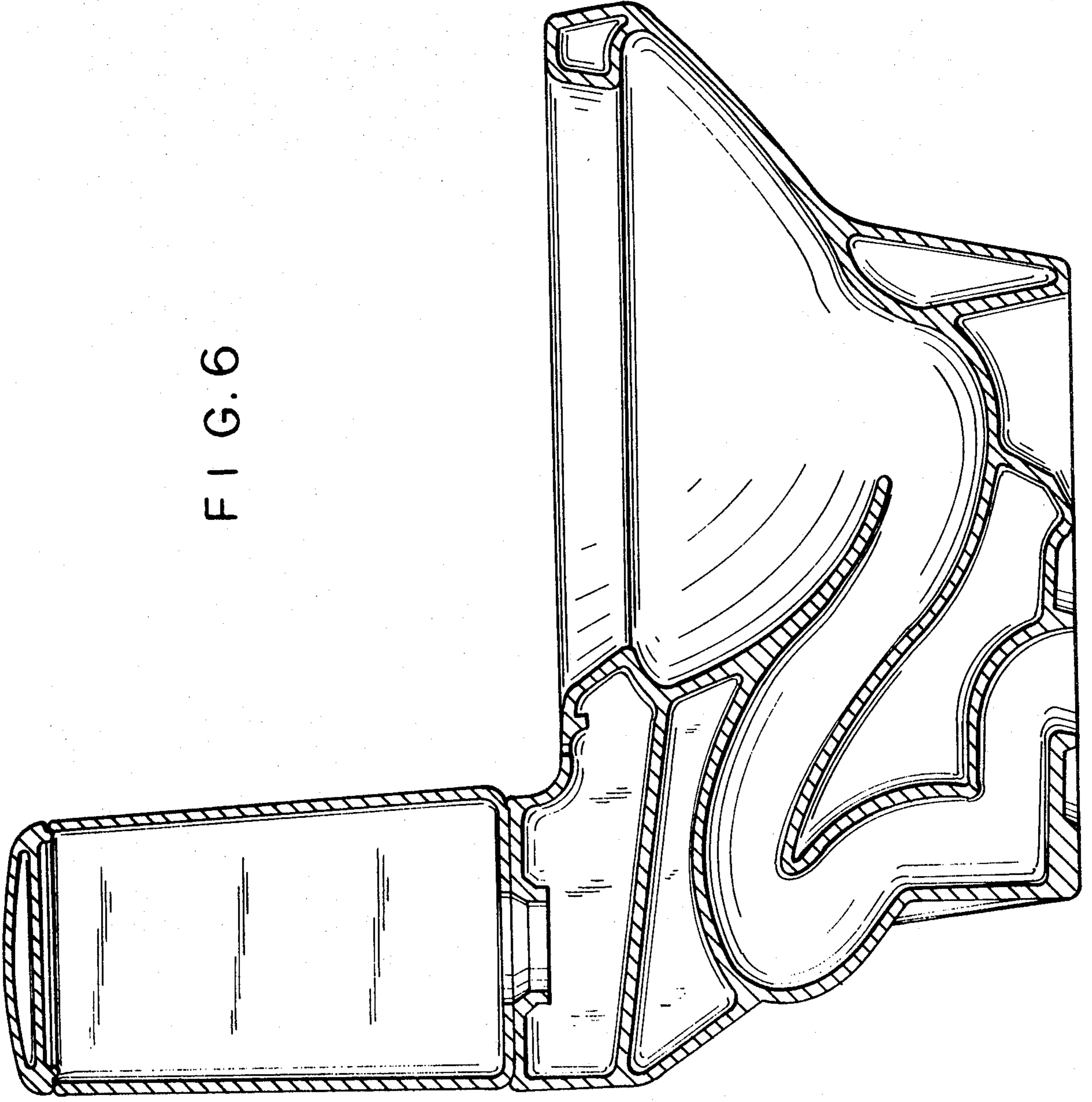


FIG. 7

