

United States Patent [19]

McMillan et al.

[11] Patent Number: **Des. 276,175**

[45] Date of Patent: **Oct. 30, 1984**

[54] SHOWER STALL

[75] Inventors: Gloria K. McMillan, San Bernardino;
William J. Schmidt, Costa Mesa, both
of Calif.

[73] Assignee: Kimstock, Inc., Santa Ana, Calif.

[] Term:** 14 Years

[21] Appl. No.: 293,516

[22] Filed: Aug. 17, 1981

[52] U.S. Cl. D23/57

**[58] Field of Search D23/49, 55-57;
4/191, 552, 596, 597, 605, 612, 613, 614**

[56] References Cited

U.S. PATENT DOCUMENTS

D. 217,366 6/1970 Myers D23/57

D. 219,512 12/1970 Skyhawk D23/57

D. 227,102 6/1973 Alexander D23/57

D. 247,912 5/1978 Rath et al. D23/57

D. 265,679 8/1982 Ballard D23/57

D. 268,128 3/1983 Ballard D23/57

Primary Examiner—James R. Lergen

Attorney, Agent, or Firm—Edward A. Sokolski

[57] CLAIM

The ornamental design for a shower stall, as shown.

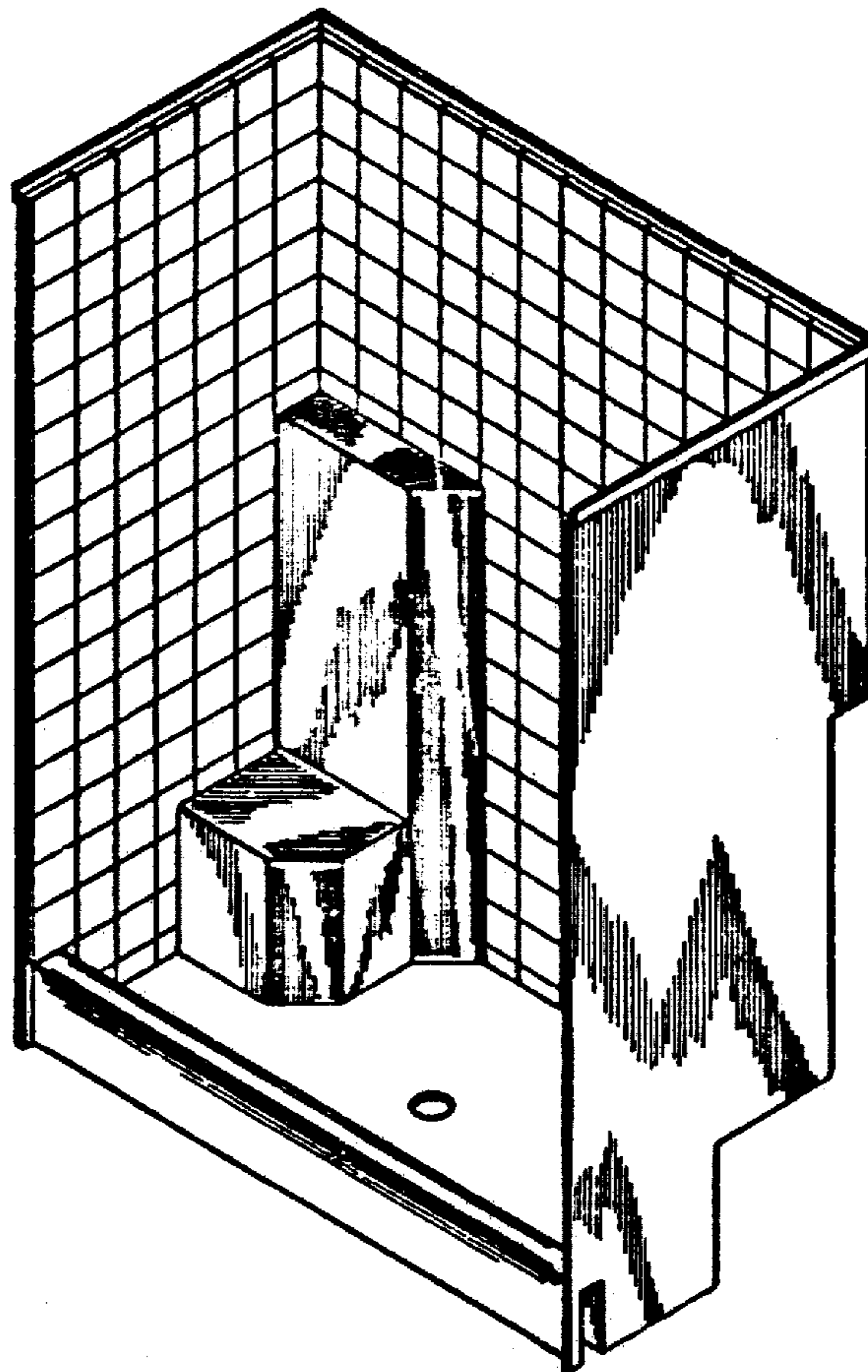
DESCRIPTION

FIG. 1 is a perspective view of a shower stall showing our design;

FIG. 2 is a front elevation view thereof;

FIG. 3 is a top plan view thereof; and

FIG. 4 is a cross sectional view taken on line 4—4 of FIG. 3.



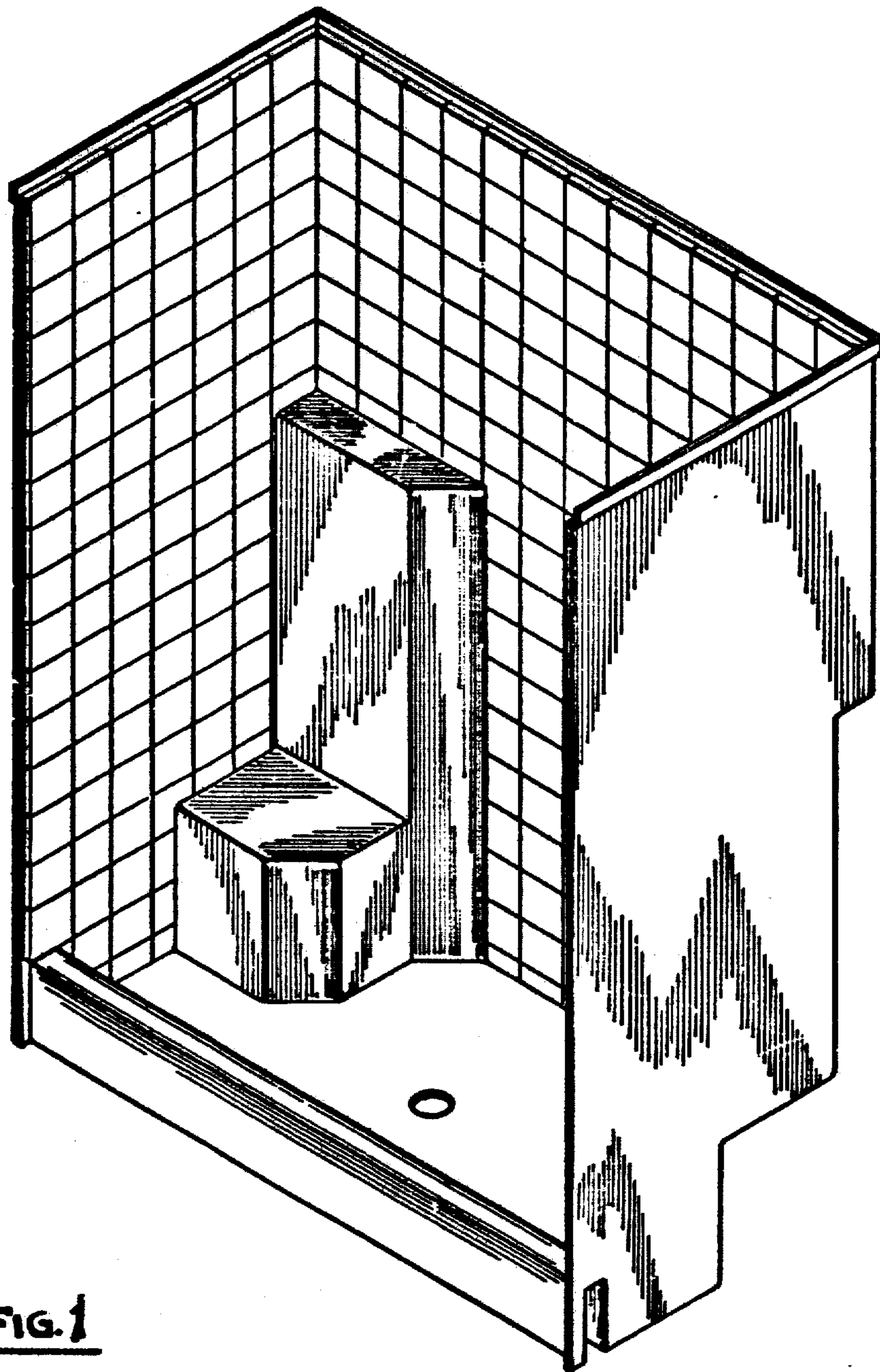


FIG. 1

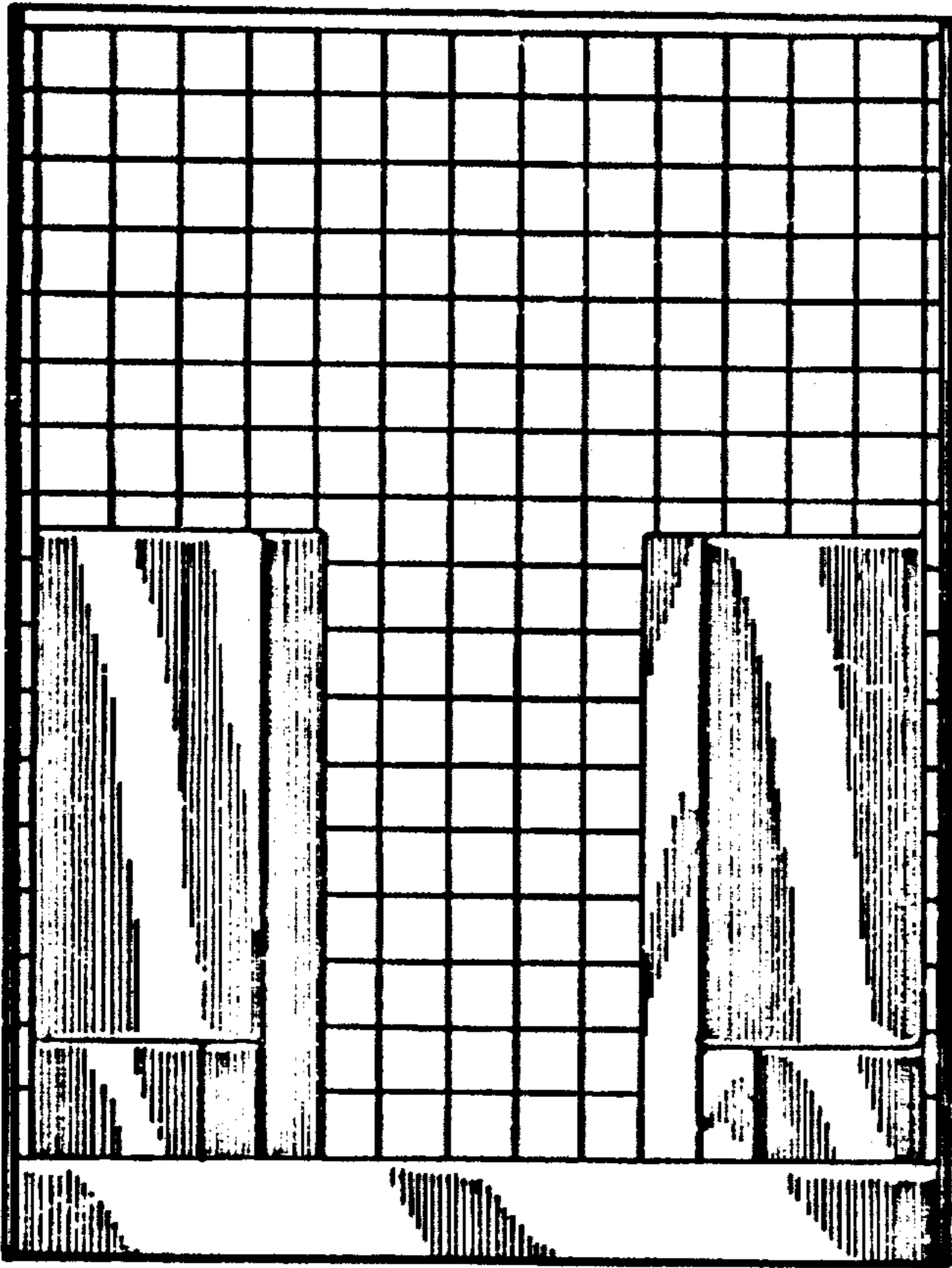


FIG. 2

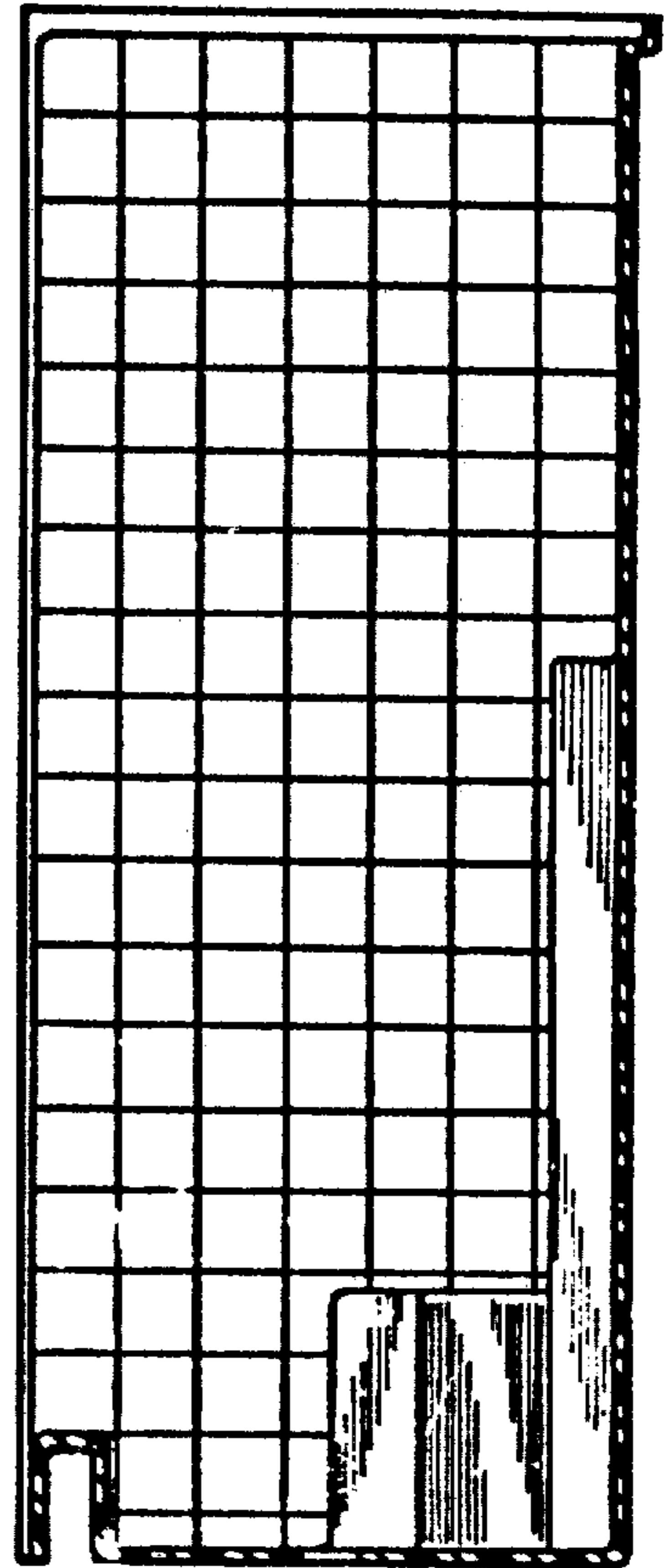


FIG. 4

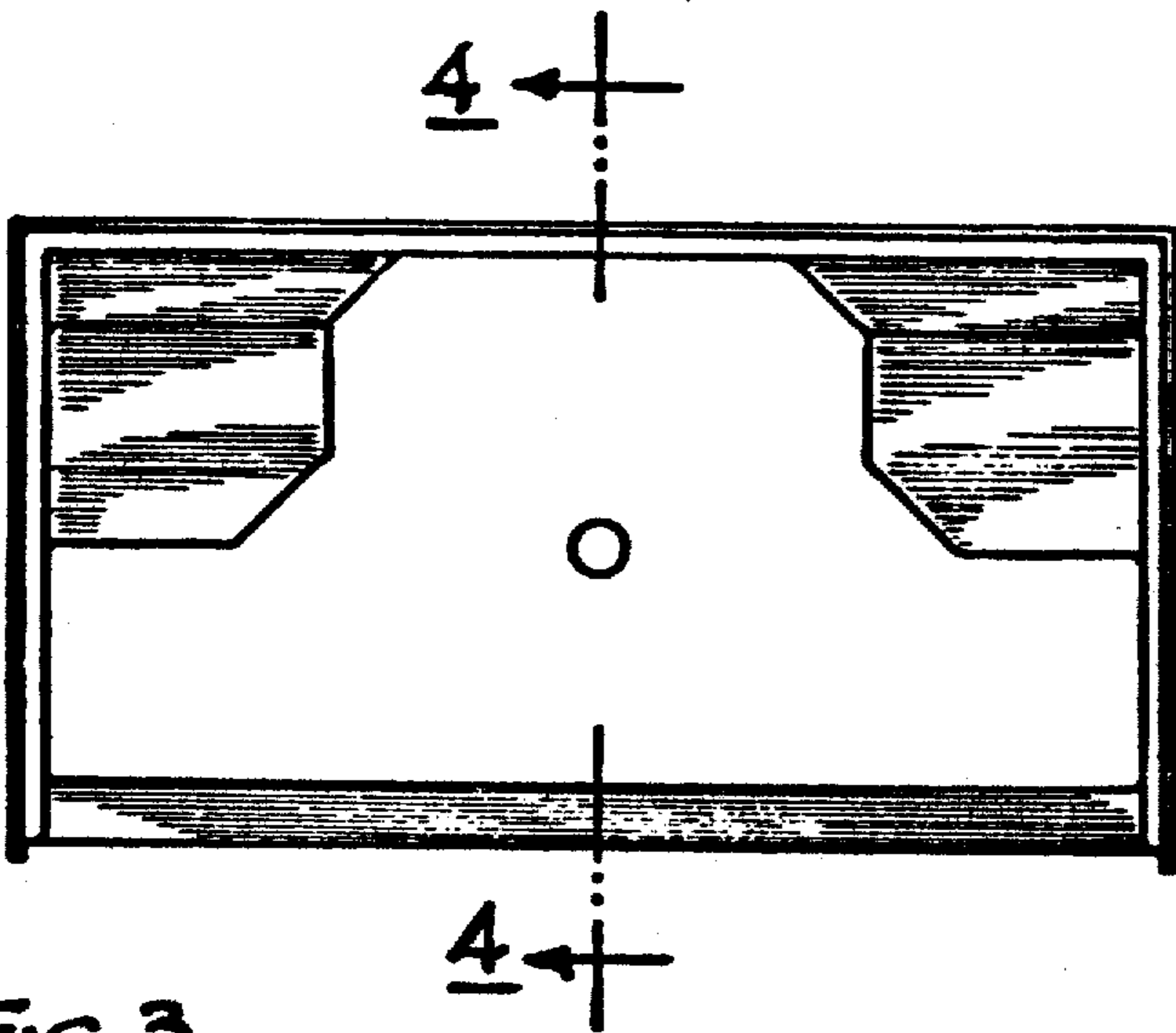


FIG. 3