

# United States Patent [19]

Chow et al.

[11] Patent Number: **Des. 276,174**

[45] Date of Patent: **\*\* Oct. 30, 1984**

[54] **PULSATOR HEAD FOR A SPRINKLER**

[75] Inventors: **Ho Chow, River Edge, N.J.; Gordon R. Perry, New York, N.Y.**

[73] Assignee: **Melnor Industries, Inc., Moonachie, N.J.**

[\*\*] Term: **14 Years**

[21] Appl. No.: **404,540**

[22] Filed: **Aug. 2, 1982**

[52] U.S. Cl. .... **D23/7**

[58] Field of Search ..... **D23/6-10;**  
**239/230, 231, 232, 233**

[56] **References Cited**

**U.S. PATENT DOCUMENTS**

D. 255,825	7/1980	Hardy	.....	D23/7
D. 266,449	10/1982	Foreman	.....	D23/7
D. 270,178	8/1983	Heck	.....	D23/7
3,043,522	7/1962	Ryerson	.....	239/230

3,856,207	12/1974	Rees, Jr.	.....	239/230
3,884,416	5/1975	King	.....	239/230
3,918,642	11/1975	Best	.....	239/230
3,930,617	1/1976	Dunmire	.....	239/233 X
3,957,205	5/1976	Costa	.....	239/230
3,968,934	7/1976	Healy	.....	239/230
4,205,788	6/1980	Bruninga	.....	239/233

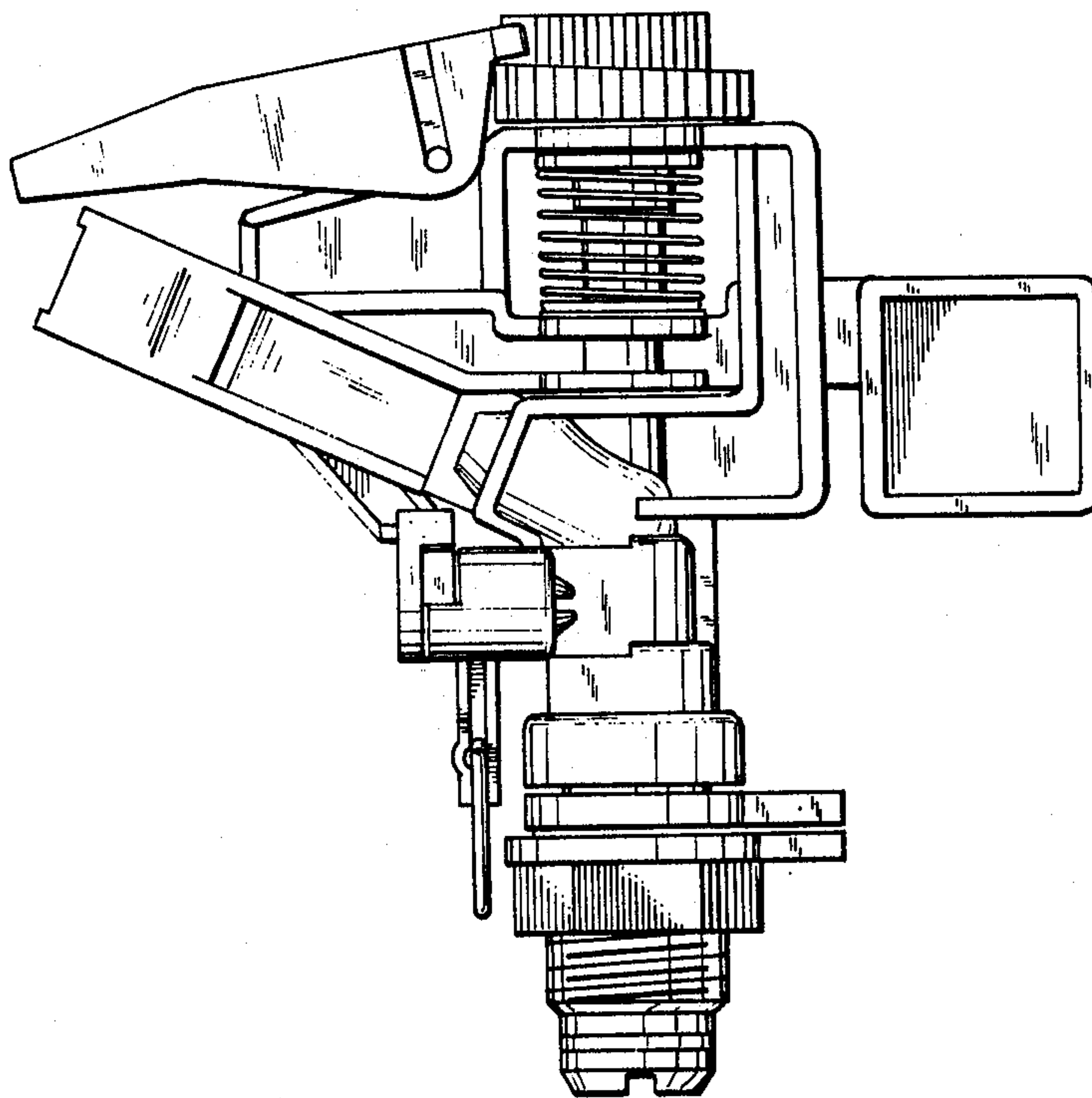
*Primary Examiner*—James R. Largen  
*Attorney, Agent, or Firm*—James & Franklin

[57] **CLAIM**

The ornamental design for a pulsator head for a sprinkler, substantially as shown.

**DESCRIPTION**

FIG. 1 is a right side elevational view of a pulsator head for a sprinkler showing our new design; FIG. 2 is a left side elevational view thereof; FIG. 3 is a front elevational view thereof; FIG. 4 is a rear elevational view thereof; FIG. 5 is a top plan view thereof; and FIG. 6 is a bottom plan view thereof.



*FIG. 1*

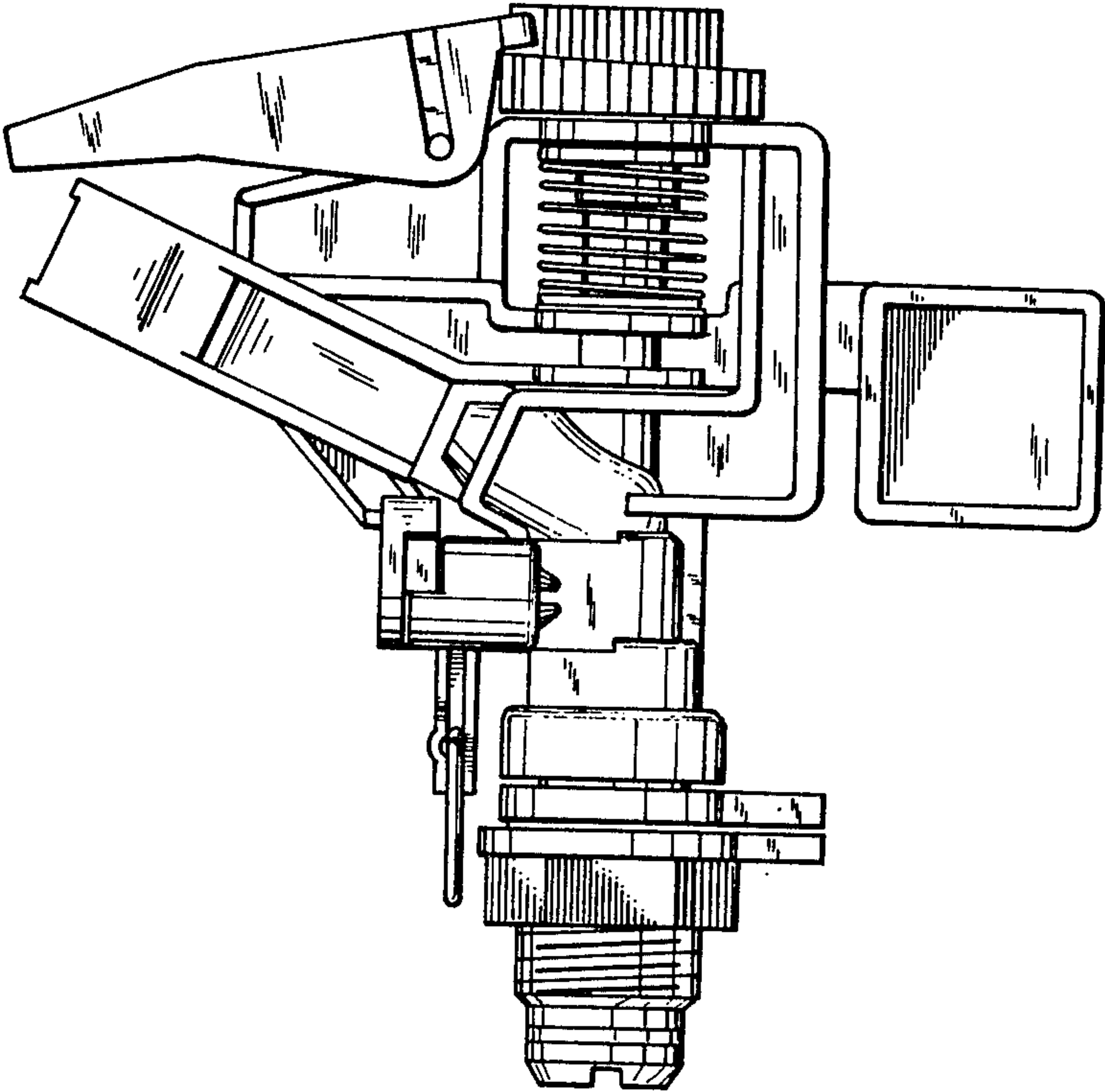
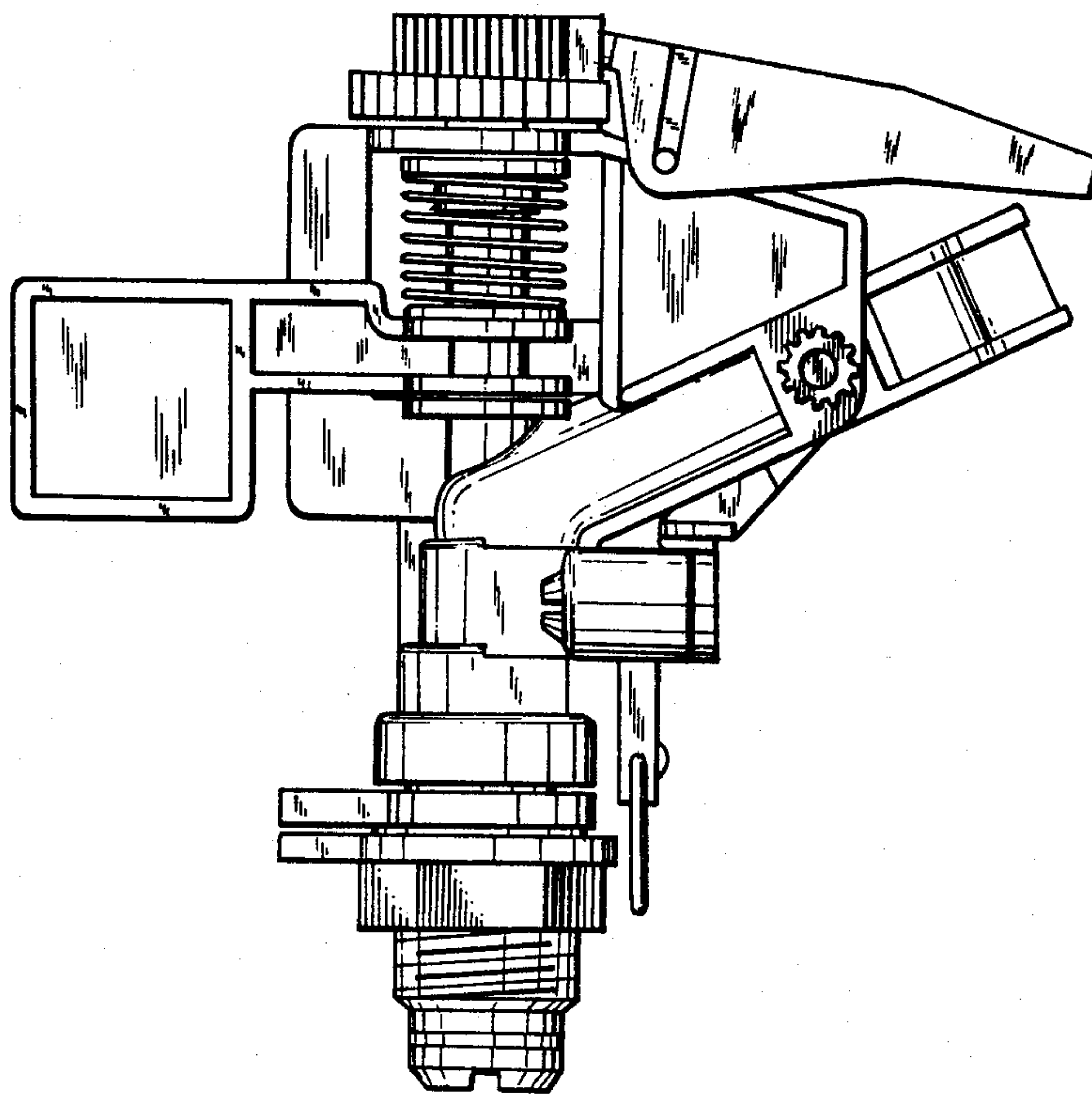
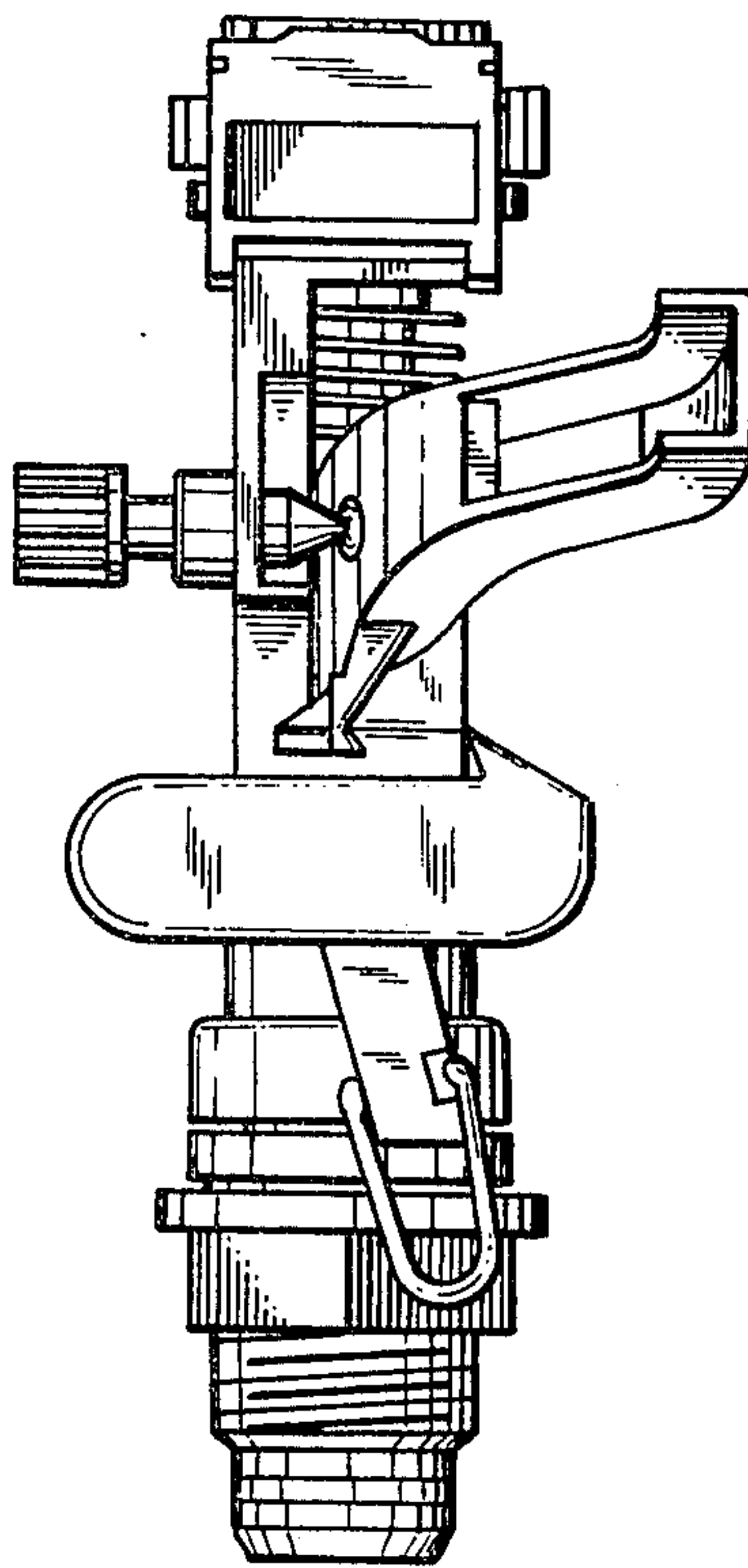


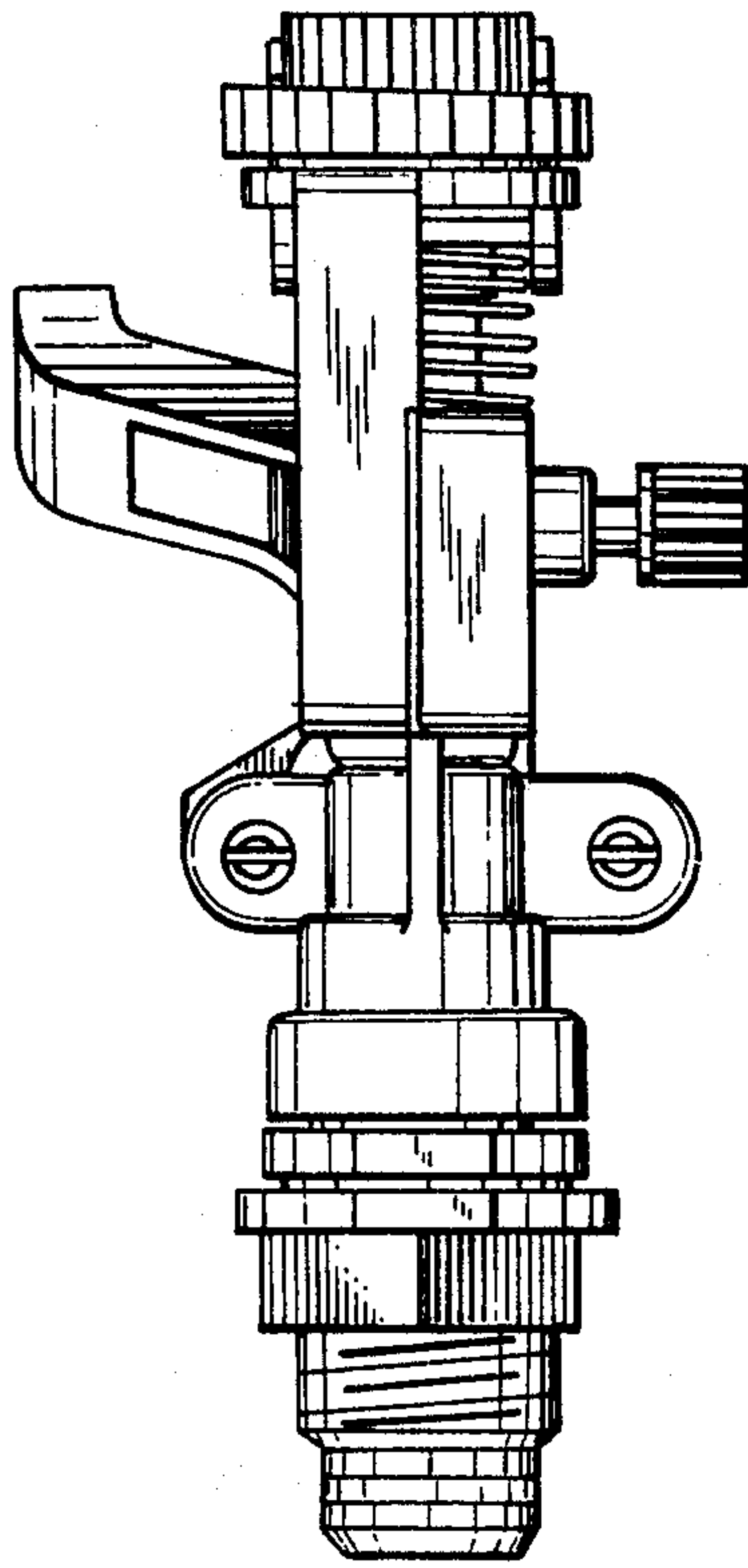
FIG. 2

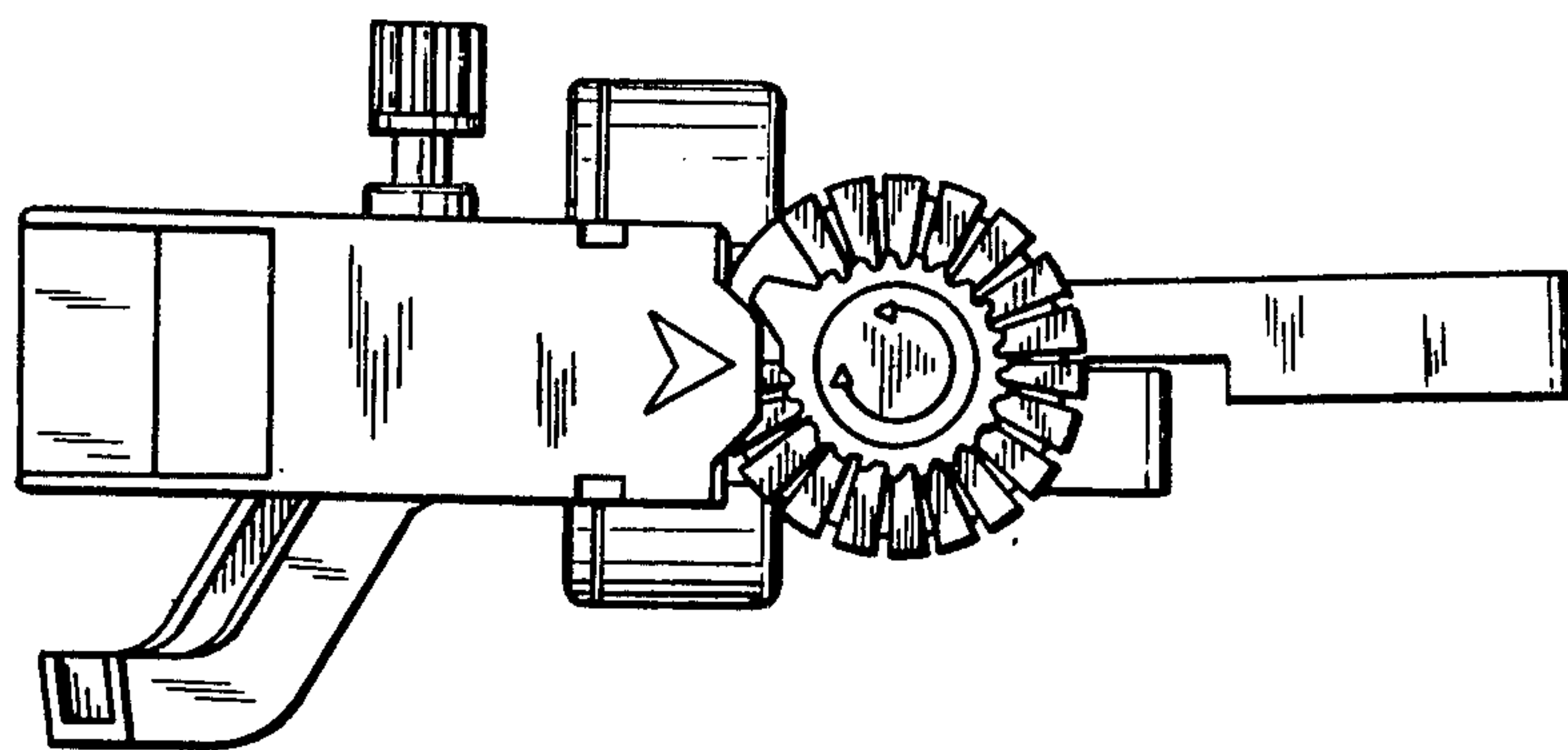


*FIG. 3*

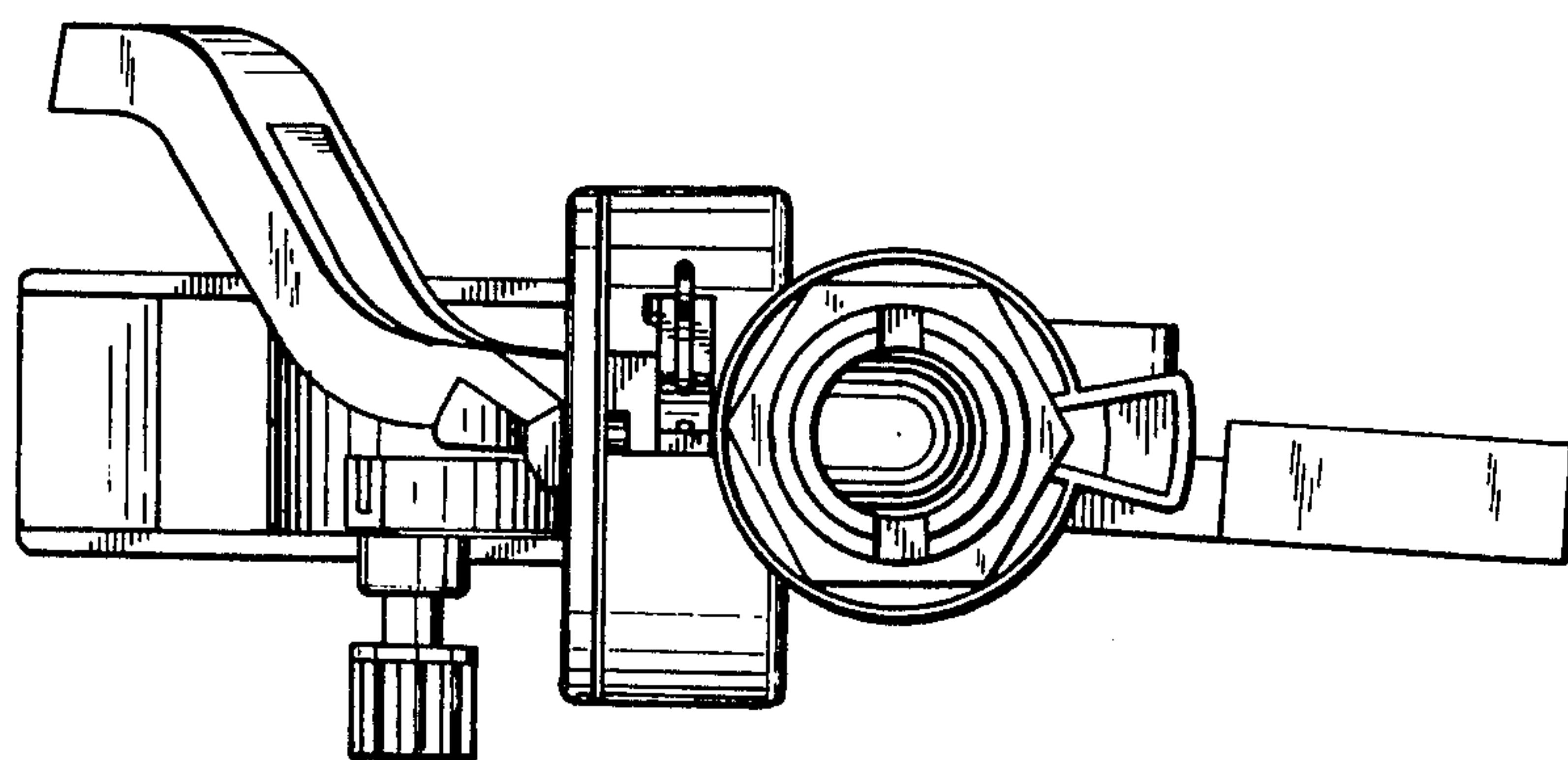


**FIG. 4**





*FIG. 5*



*FIG. 6*