

[54] SEWING MACHINE

4,040,369 8/1977 Kaito 112/258
4,080,913 3/1978 Arendash et al. 112/258

[75] Inventors: Roger H. Ramsey, Wadsworth; Dale A. Panasewicz, Parma, both of Ohio

OTHER PUBLICATIONS

"Bernina" Publication, Bernina 830, Sewing Machine on back cover.

[73] Assignee: Fritz Gegauf Aktiengesellschaft Bernina-Nahmaschinenfabrik, Steckborn, Switzerland

Primary Examiner—Bernard Ansher
Assistant Examiner—Carmen H. Vales
Attorney, Agent, or Firm—Birch, Stewart, Kolasch & Birch

[**] Term: 14 Years

[21] Appl. No.: 307,114

[57] CLAIM

The ornamental design for a sewing machine, as shown.

[22] Filed: Sep. 30, 1981

[52] U.S. Cl. D15/69

[58] Field of Search D15/66, 67, 68, 69, D15/70, 71, 72, 73, 74, 75, 76, 77, 78; 112/63, 258, 259, 261

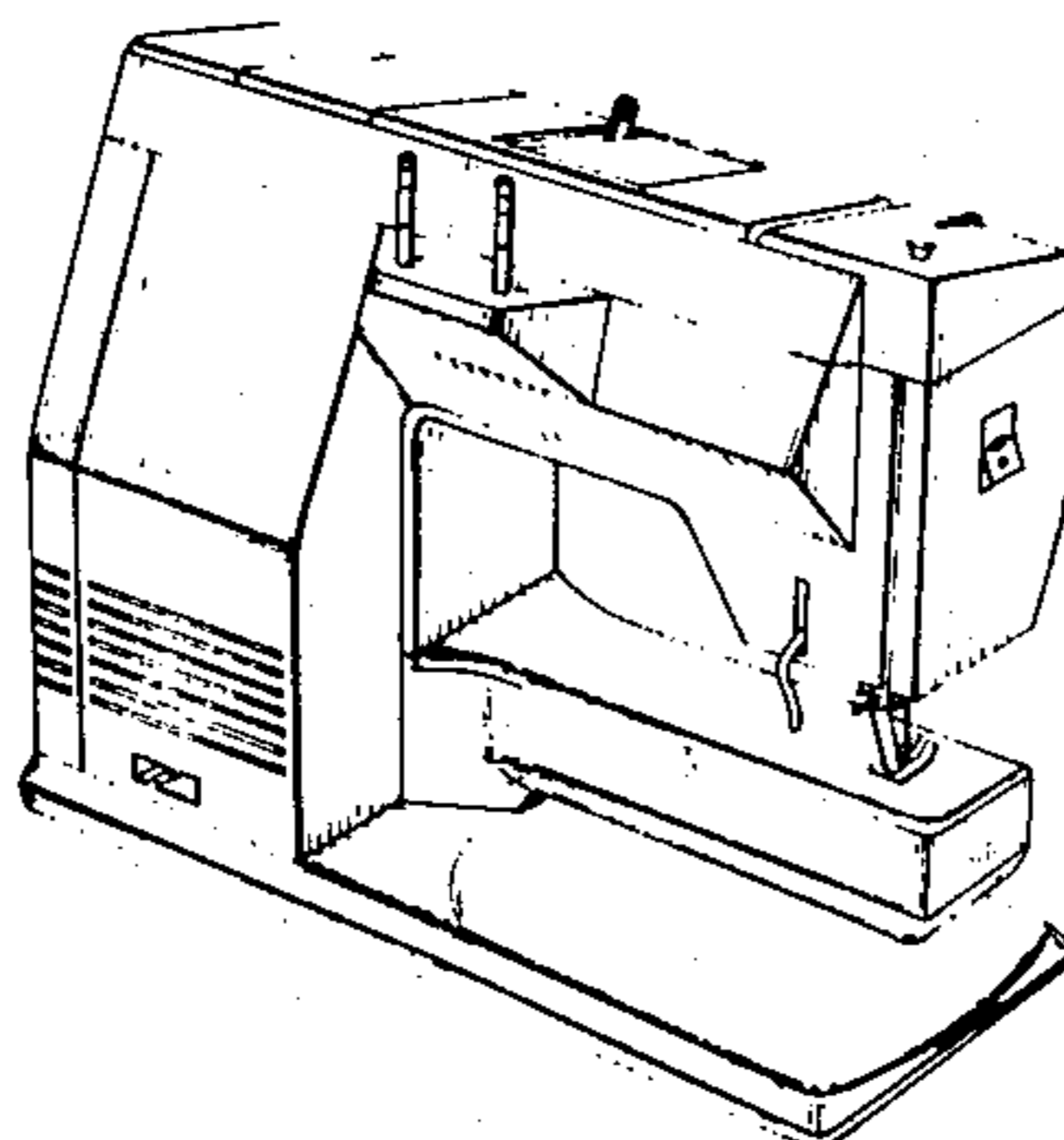
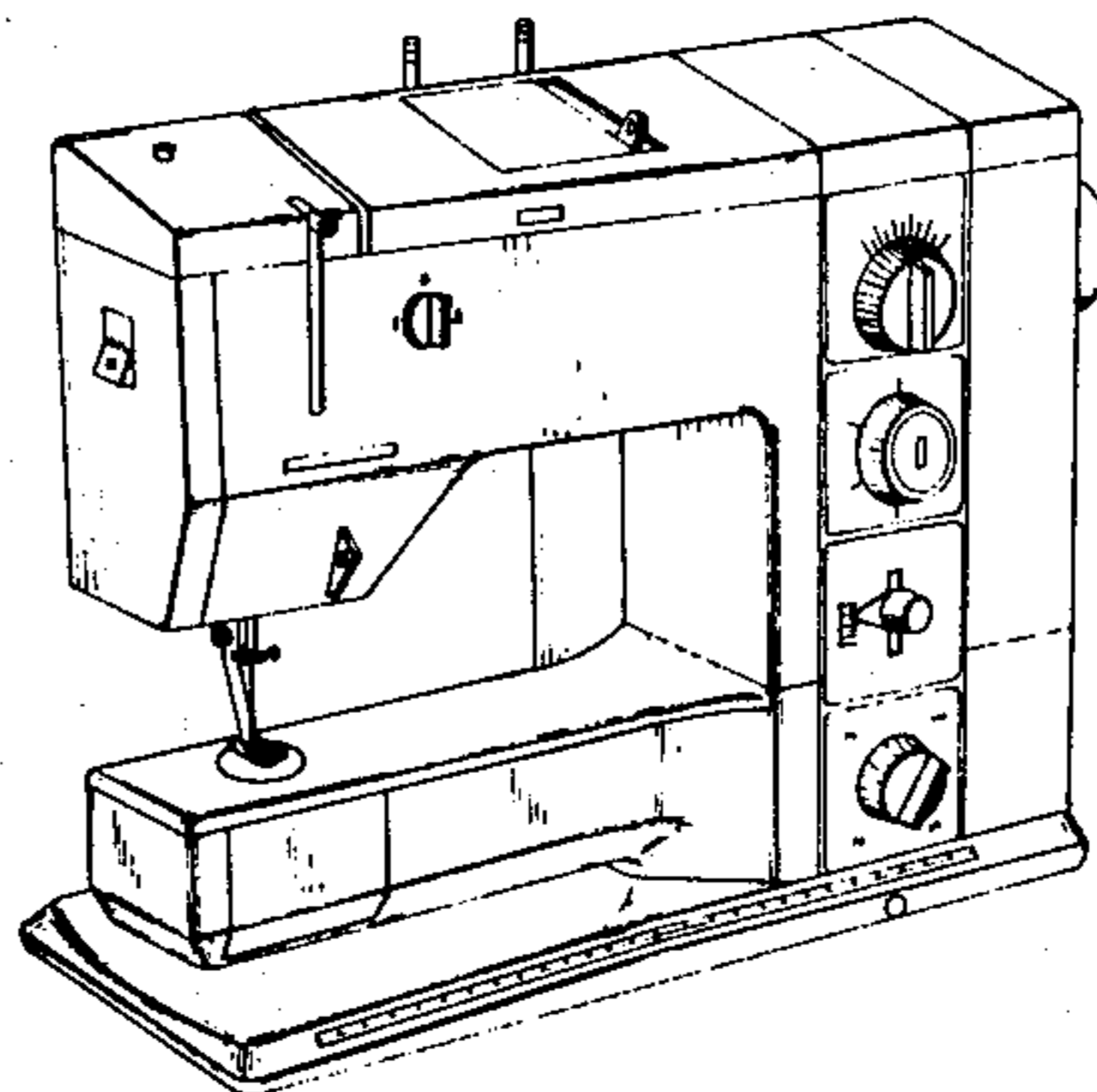
DESCRIPTION

FIG. 1 is a front perspective view of a sewing machine showing our new design;
FIG. 2 is a rear perspective view thereof;
FIG. 3 is a rear elevational view thereof;
FIG. 4 is a right side elevational view thereof;
FIG. 5 is a left side elevational view thereof;
FIG. 6 is a front elevational view thereof; and
FIG. 7 is a top plan view thereof.

[56] References Cited

U.S. PATENT DOCUMENTS

- D. 160,811 11/1950 Scheiwiller D15/68
- D. 201,406 6/1965 Fresard D15/68
- D. 266,519 10/1982 Genaro et al. D15/68



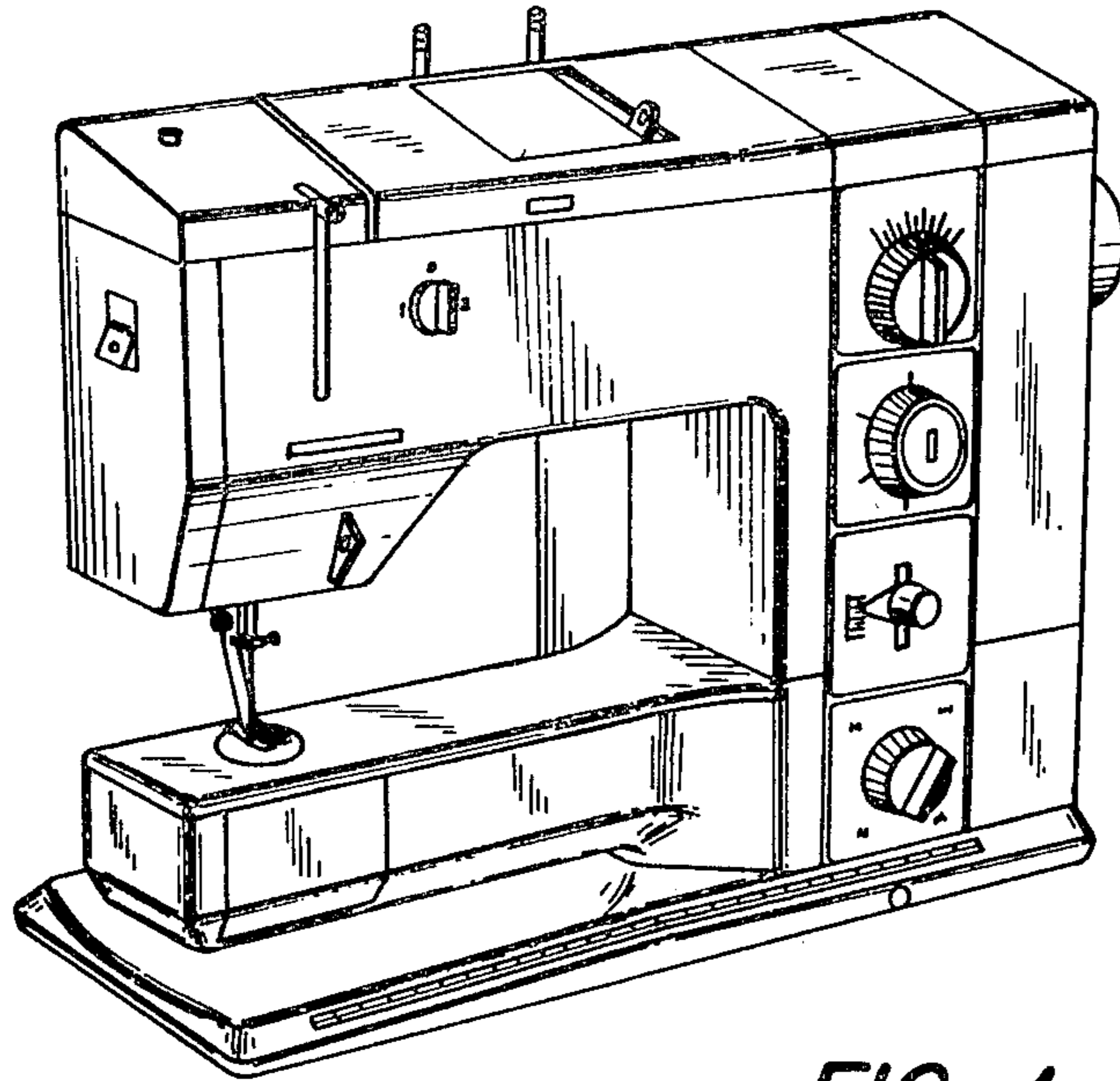


FIG. 1

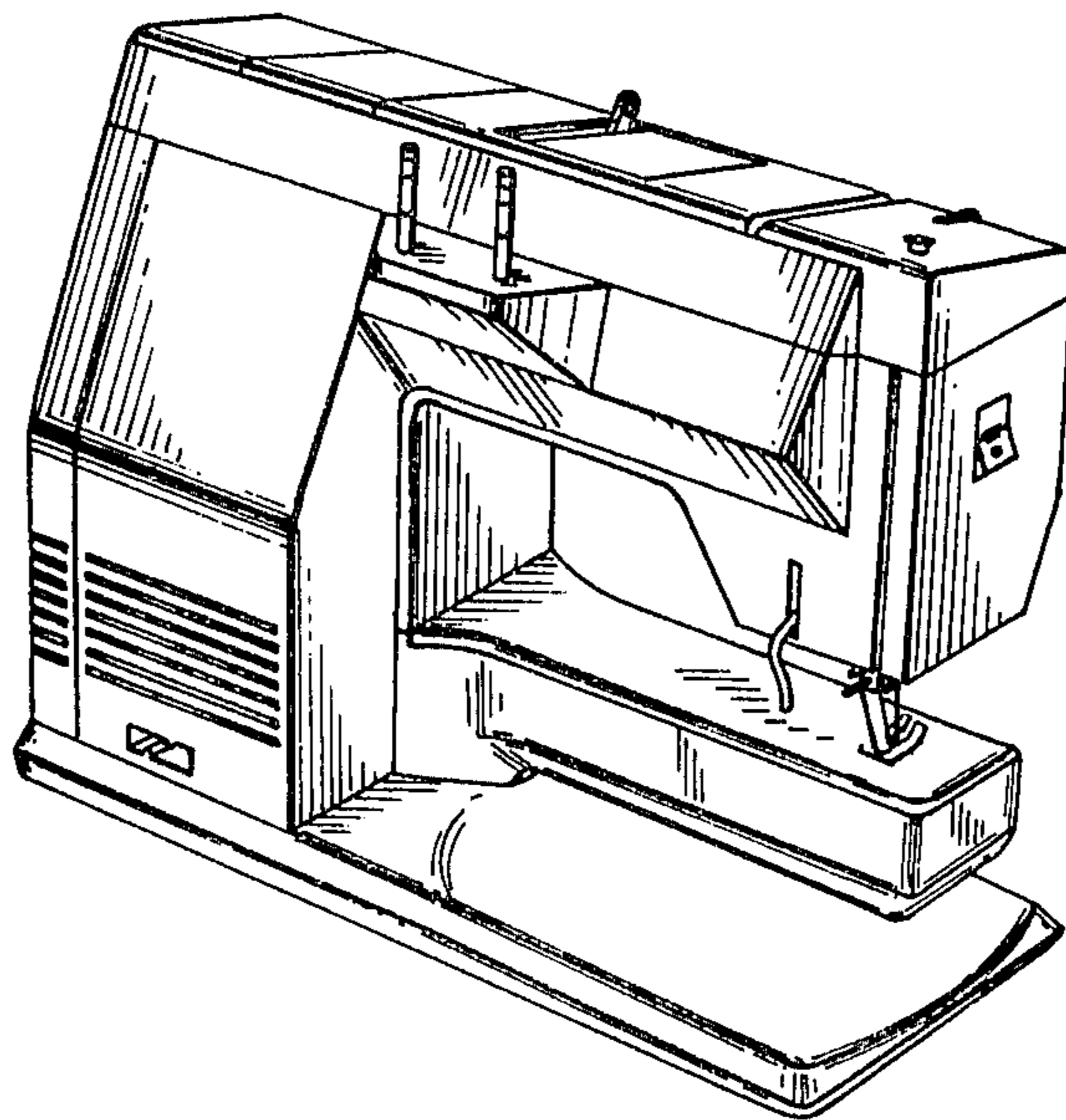


FIG. 2

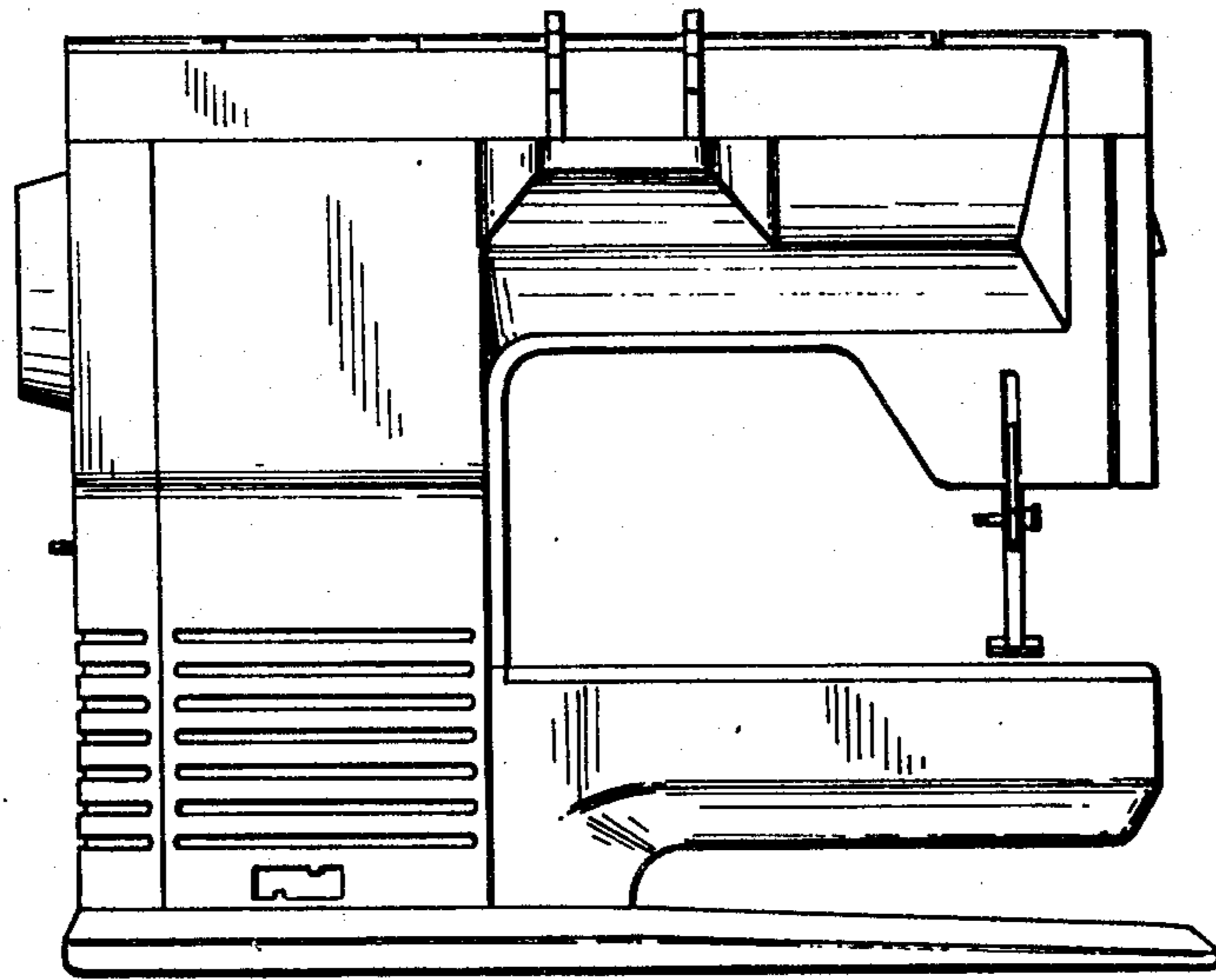


FIG. 3

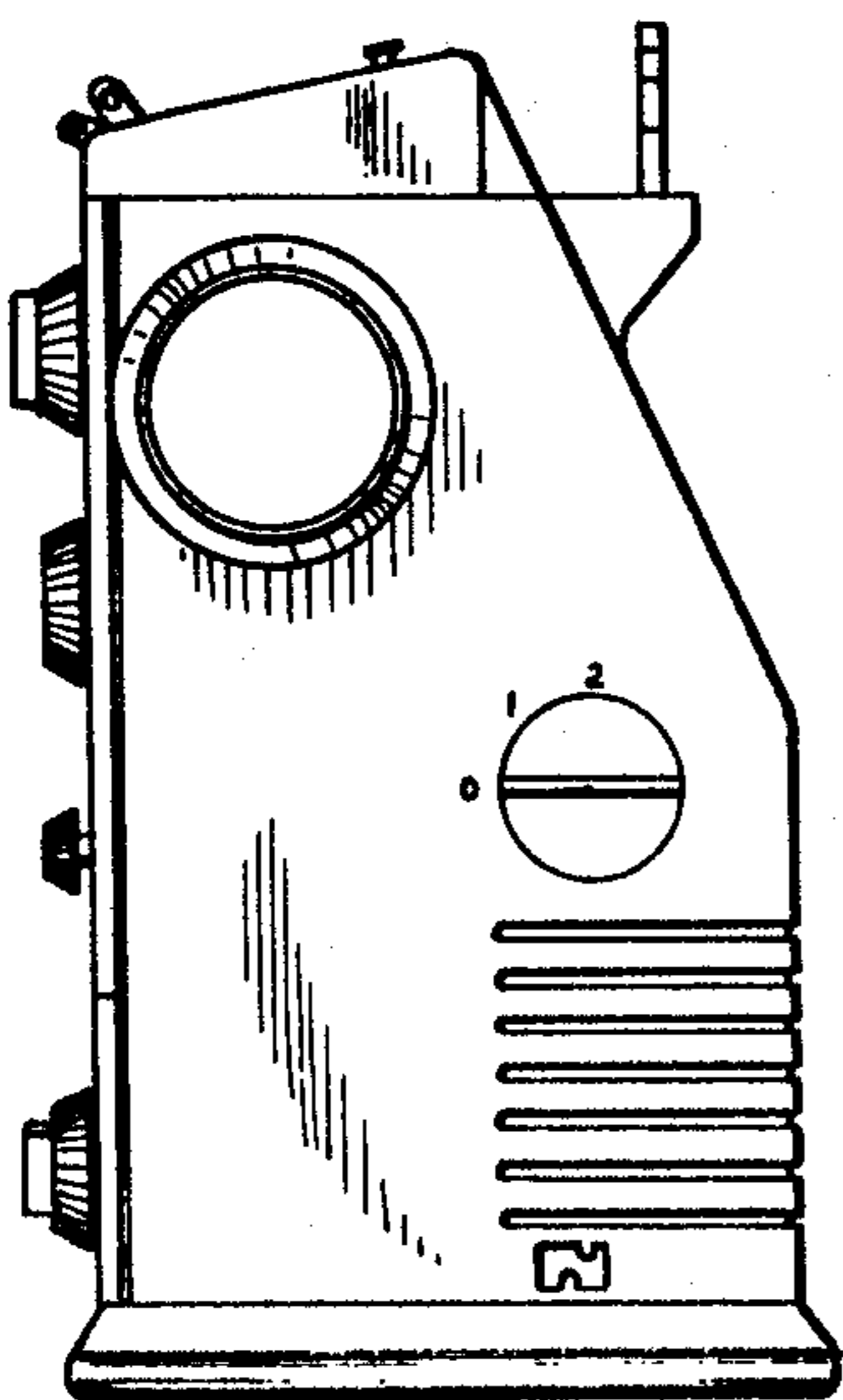


FIG. 4

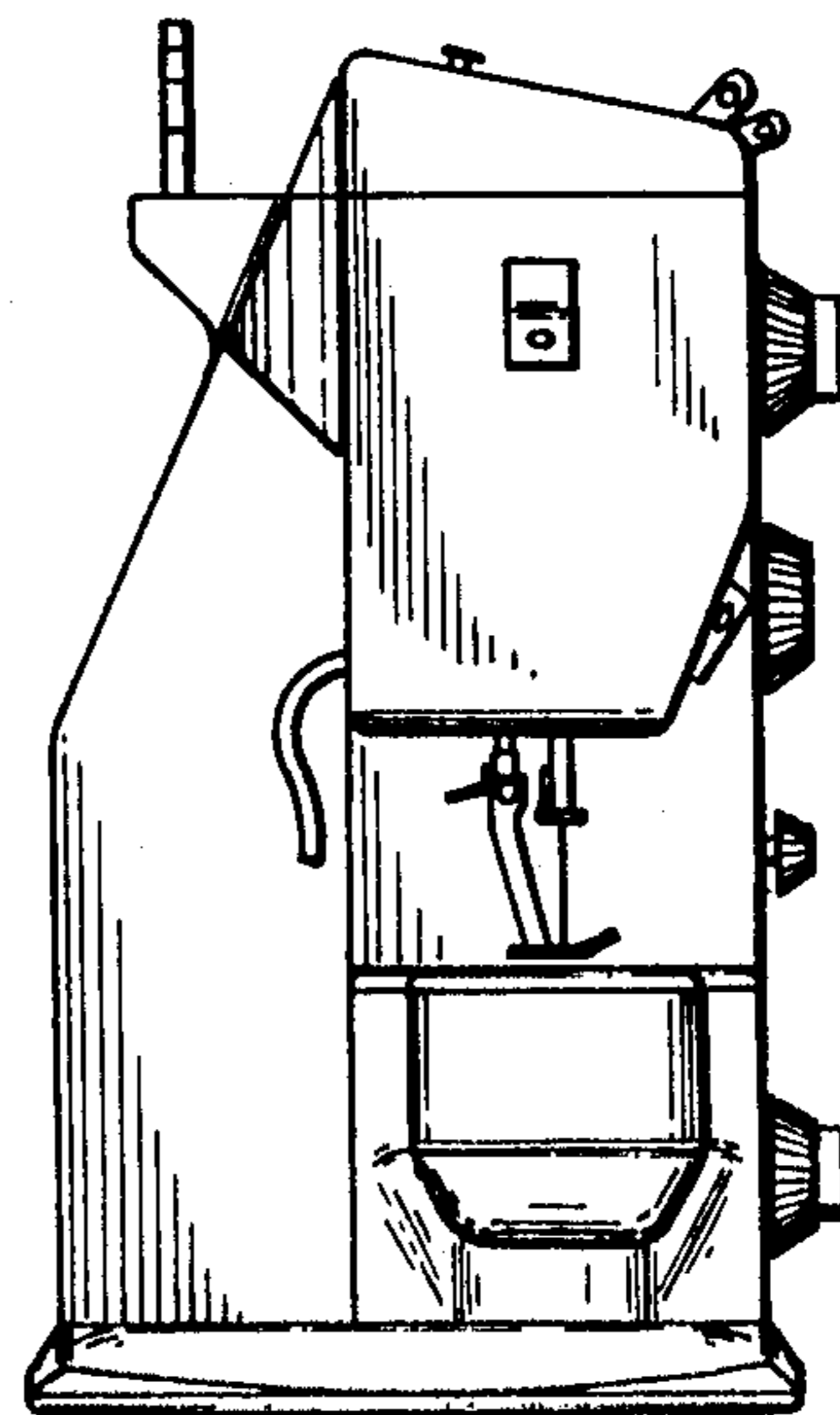


FIG. 5

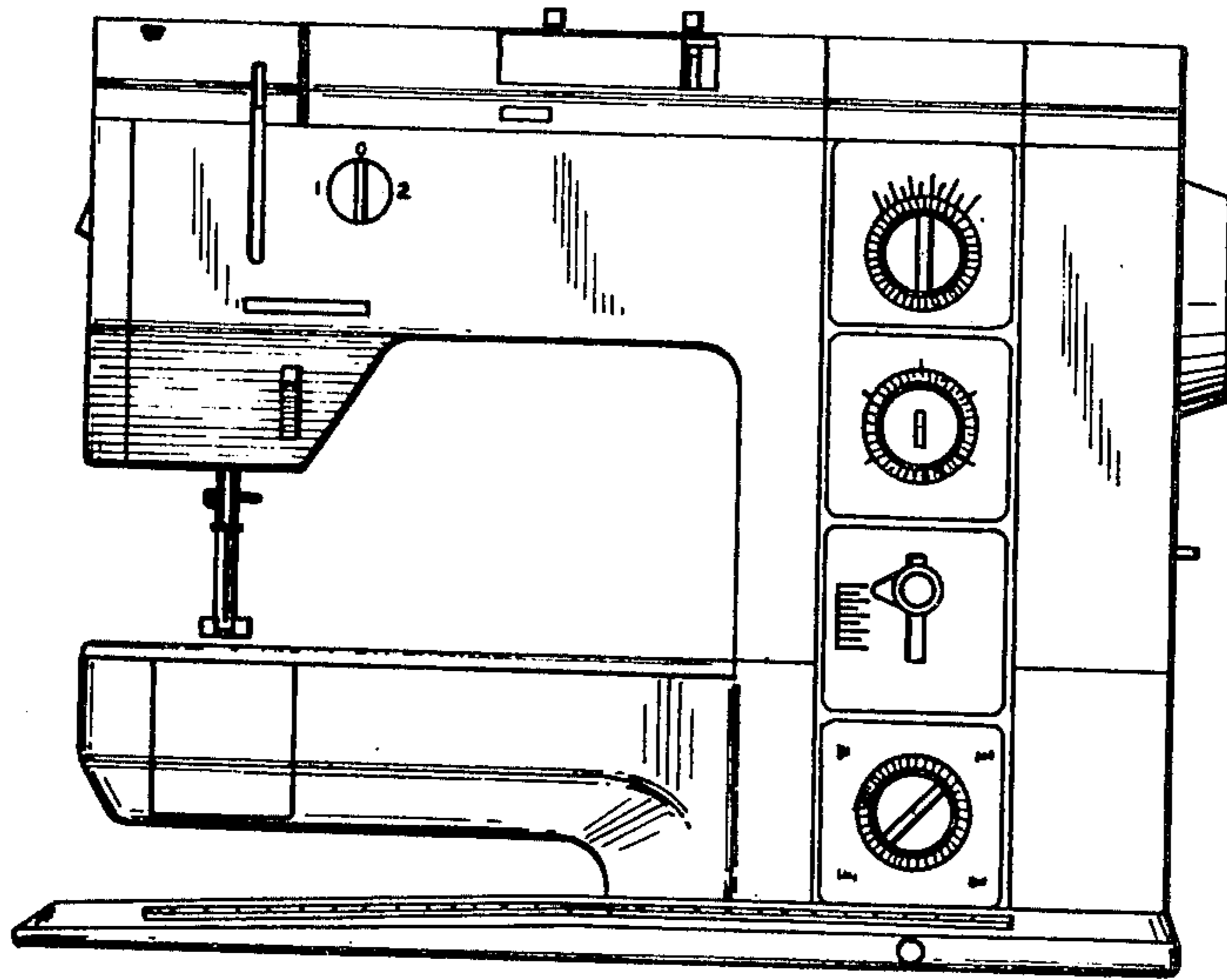


FIG. 6

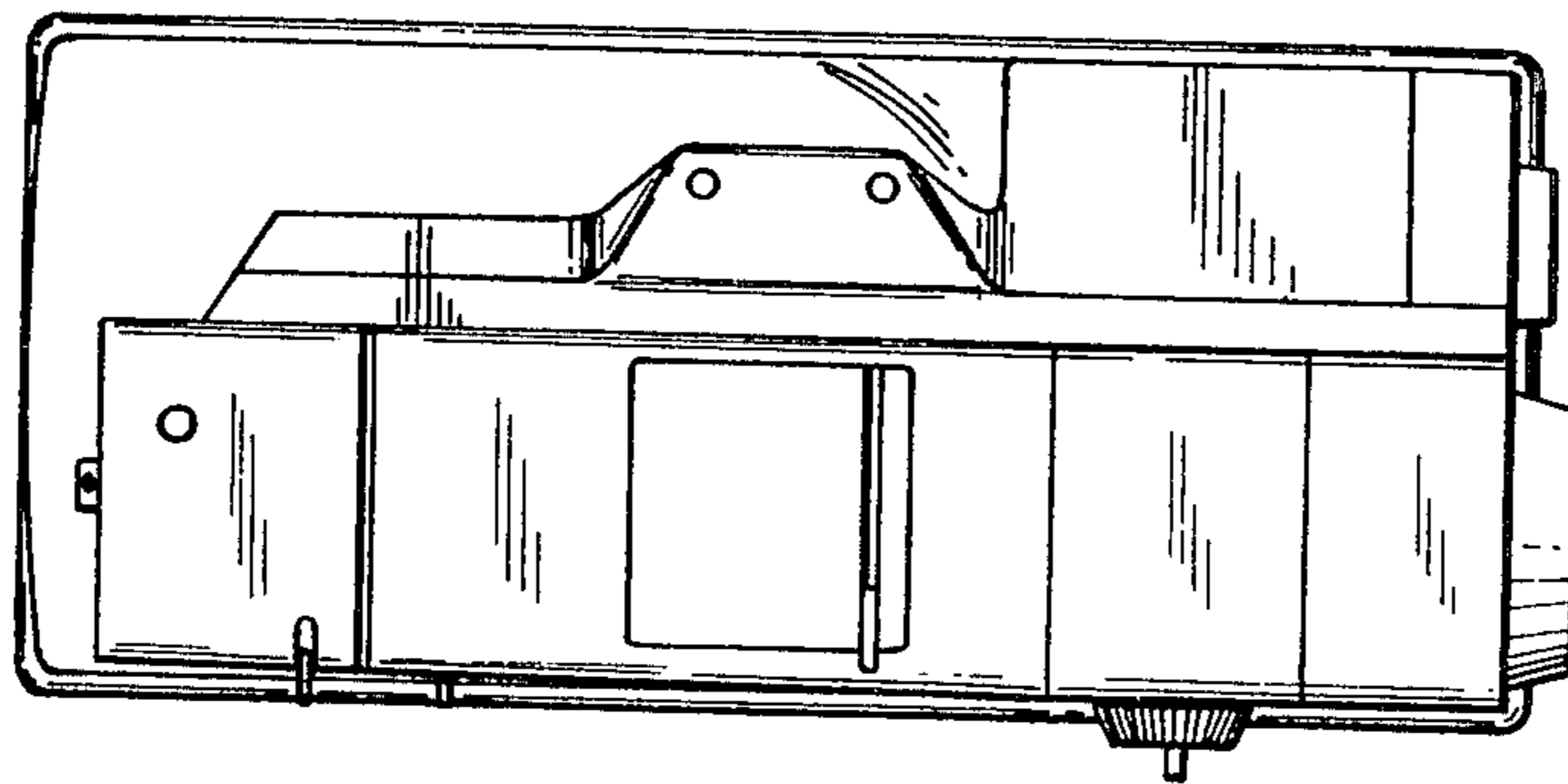


FIG. 7