

- [54] **ADJUSTABLE NEEDLEWORK FRAME**
- [76] **Inventor: Raymond R. Rancourt, 9456 Beaver Creek Dr., Mentor, Ohio 44060**
- [**] **Term: 14 Years**
- [21] **Appl. No.: 422,213**
- [22] **Filed: Sep. 23, 1982**
- [52] **U.S. Cl. D15/66; D3/26**
- [58] **Field of Search D15/66; D3/26; 223/120; 248/166, 187**

Better Homes and Gardens Cat. 279, 1978, insert between pp. 12, 13, Scroll Frame.
Herrschners Quality Needlecraft Cat. 995, 1976, p. 25, Rug Frame on stand.

Primary Examiner—Bernard Ansher
Assistant Examiner—Linda M. Titolo
Attorney, Agent, or Firm—Watts, Hoffmann, Fisher & Heinke Co.

[56] **References Cited**

U.S. PATENT DOCUMENTS

- D. 222,149 10/1971 Early D15/66 X
- D. 234,327 2/1975 Rodwell D15/66
- D. 244,754 6/1977 Bard D15/66
- D. 254,740 4/1980 Orret et al. D15/66
- 3,955,722 5/1976 Bard D3/26 X

OTHER PUBLICATIONS

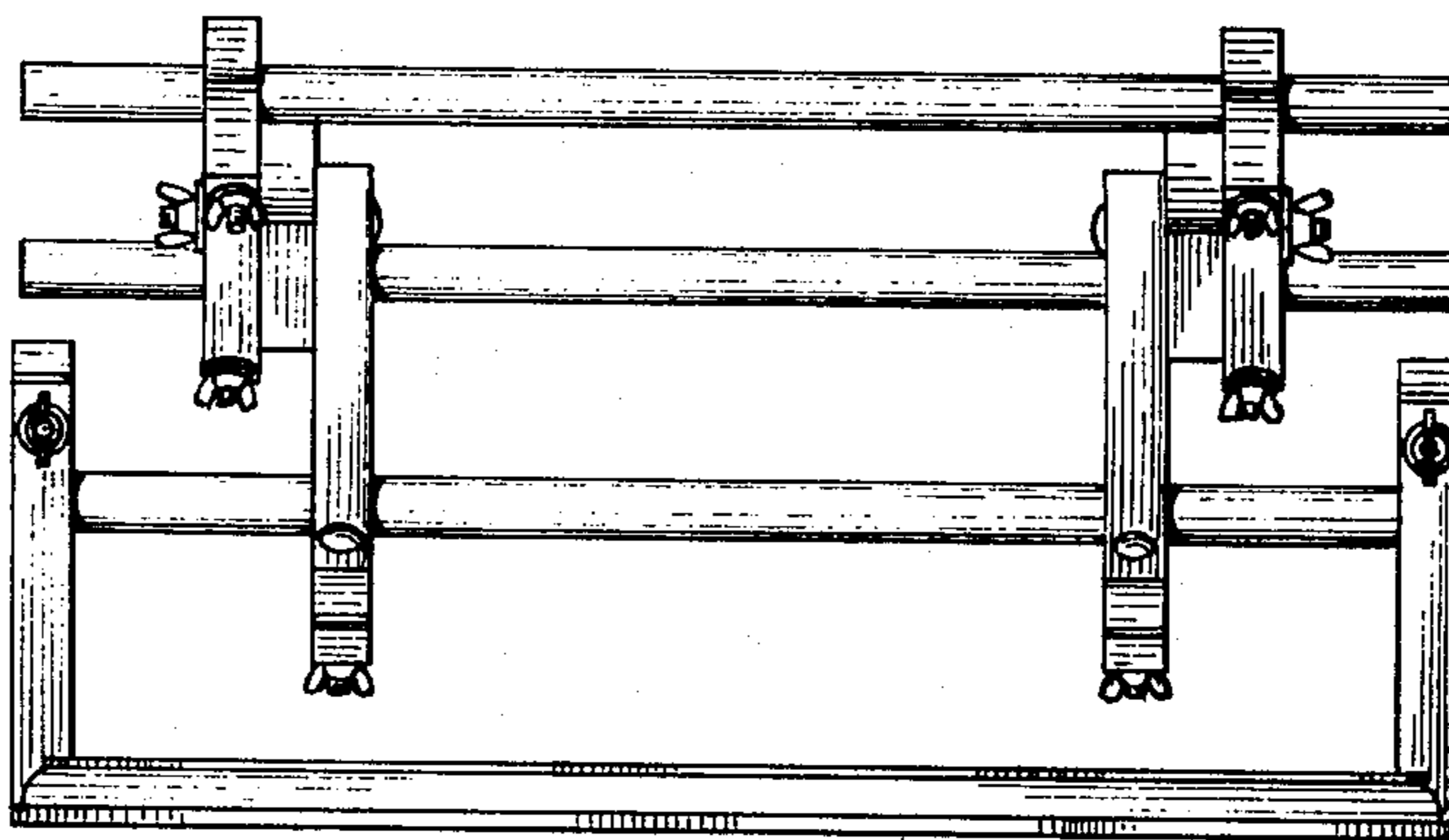
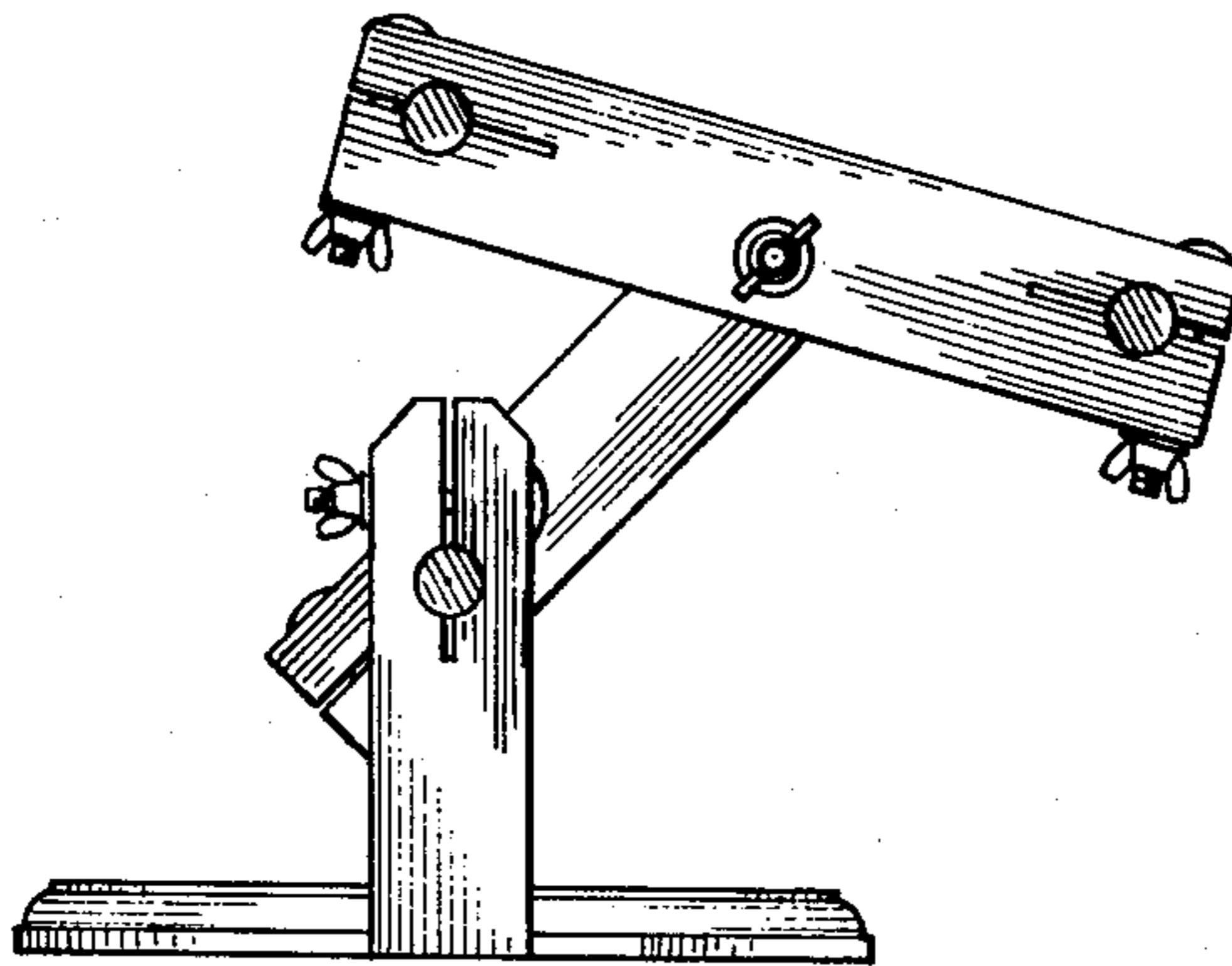
American Handicrafts Merribee Needlearts Cat. 101, 1979-80, p. 70, Item E, Needlework Frame.

[57] **CLAIM**

The ornamental design for an adjustable needlework frame, as shown and described.

DESCRIPTION

FIG. 1 is a front elevational view of an adjustable needlework frame showing my design in a selected position of adjustment;
FIG. 2 is a top plan view thereof;
FIG. 3 is a side elevational view thereof;
FIG. 4 is a rear elevational view thereof;
FIG. 5 is a bottom view thereof; and
FIG. 6 is a sectional view as seen from a plane indicated by the line 6-6 of FIG. 1.



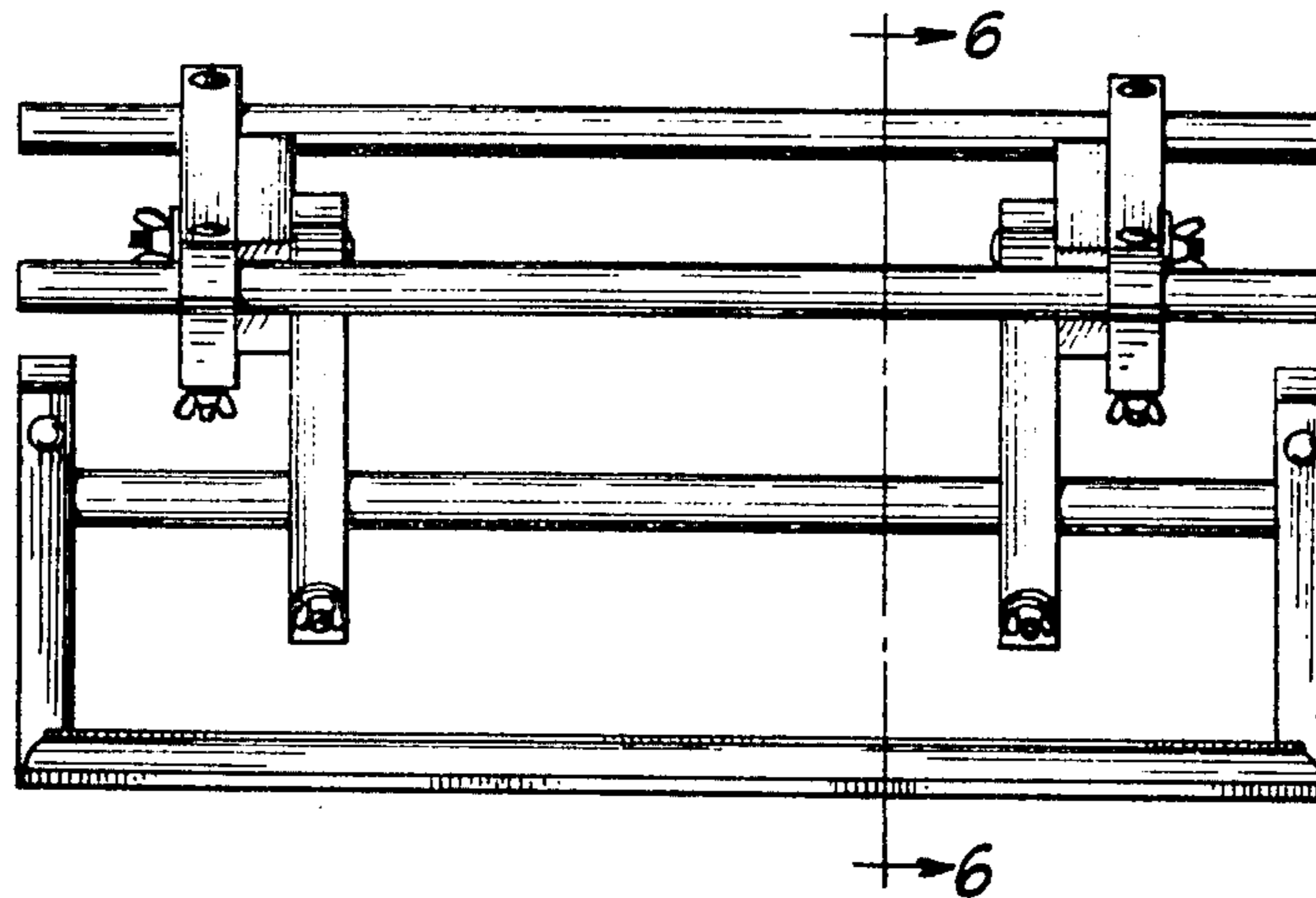


Fig. 1

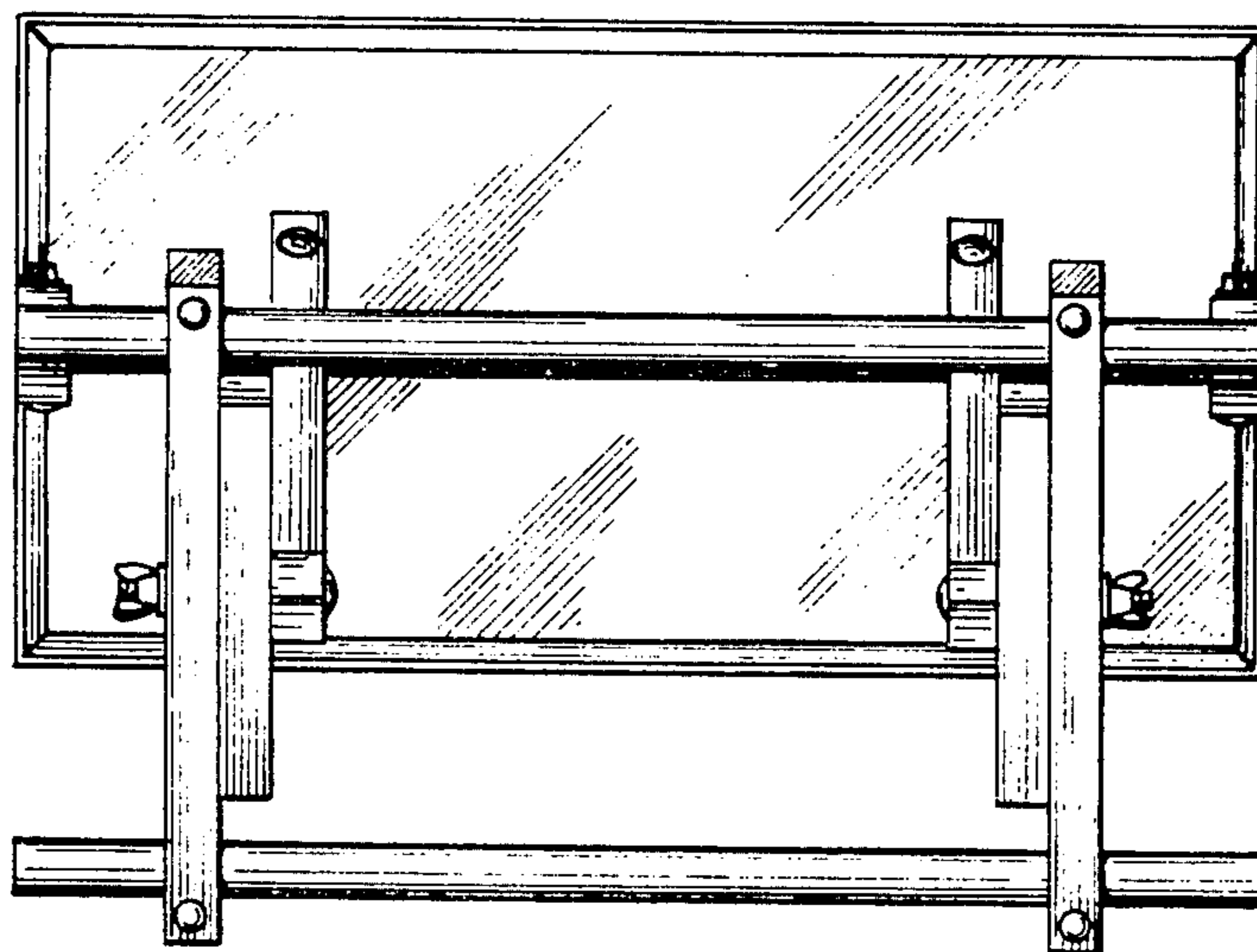


Fig. 2

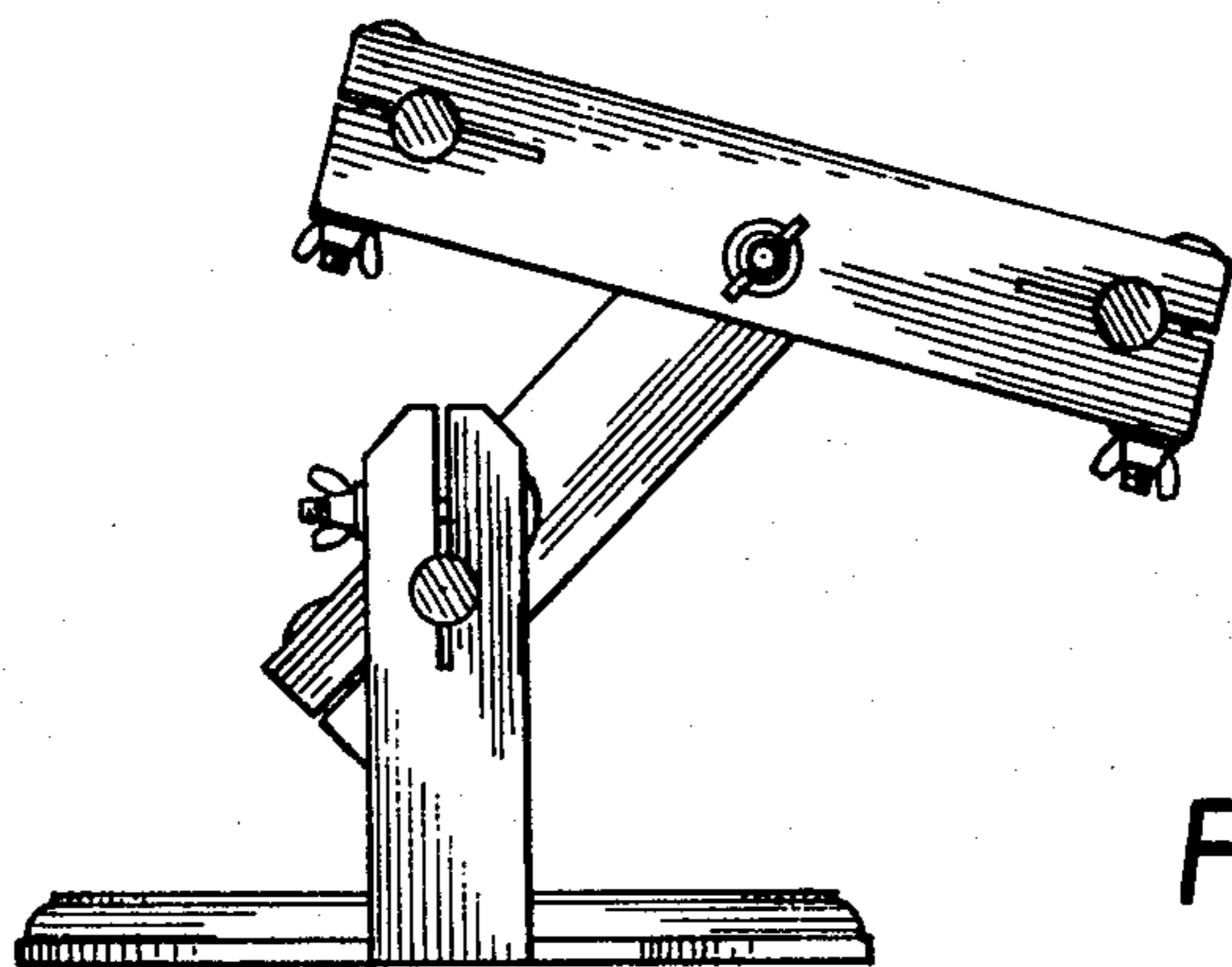


Fig. 3

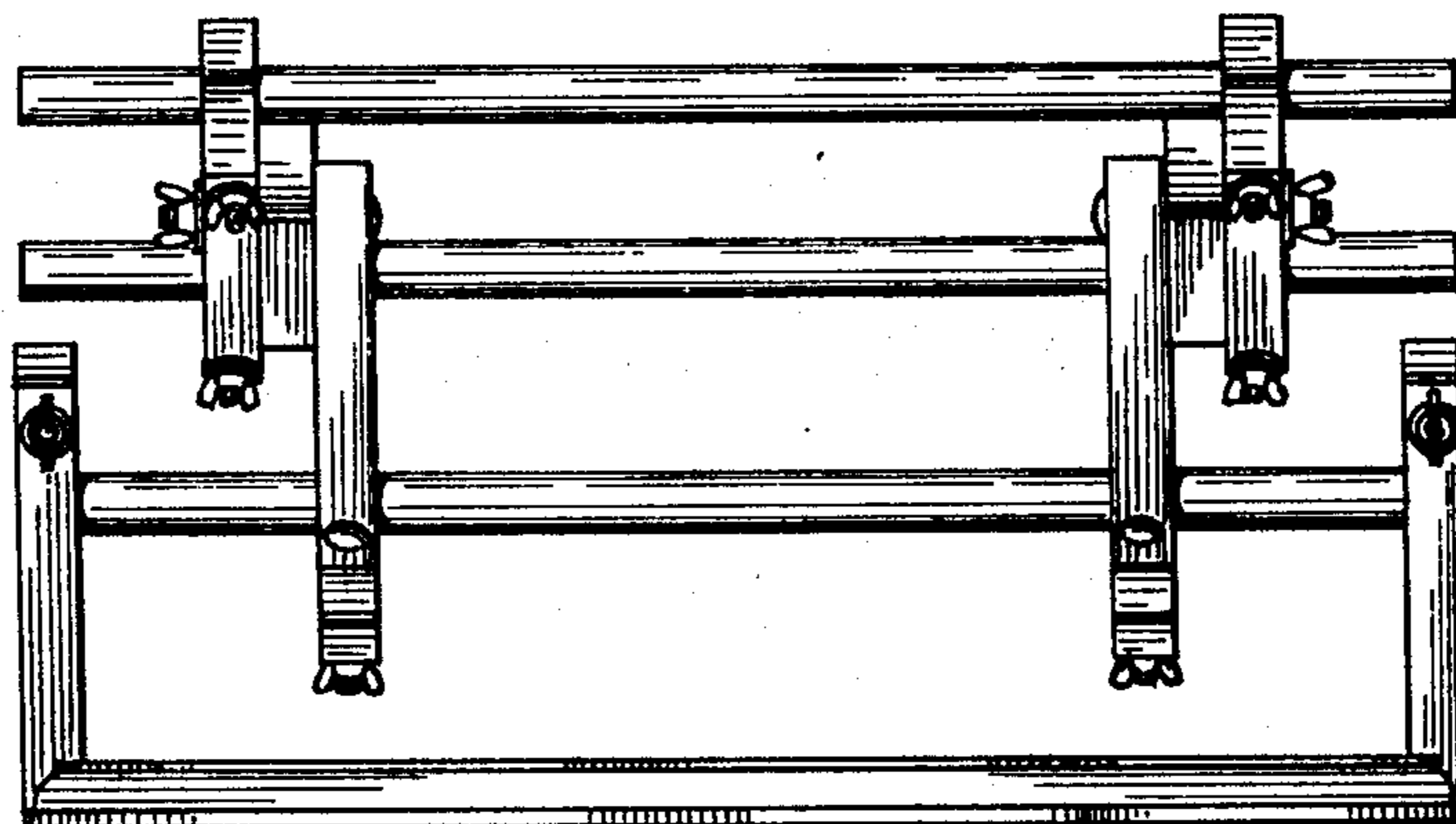


Fig. 4

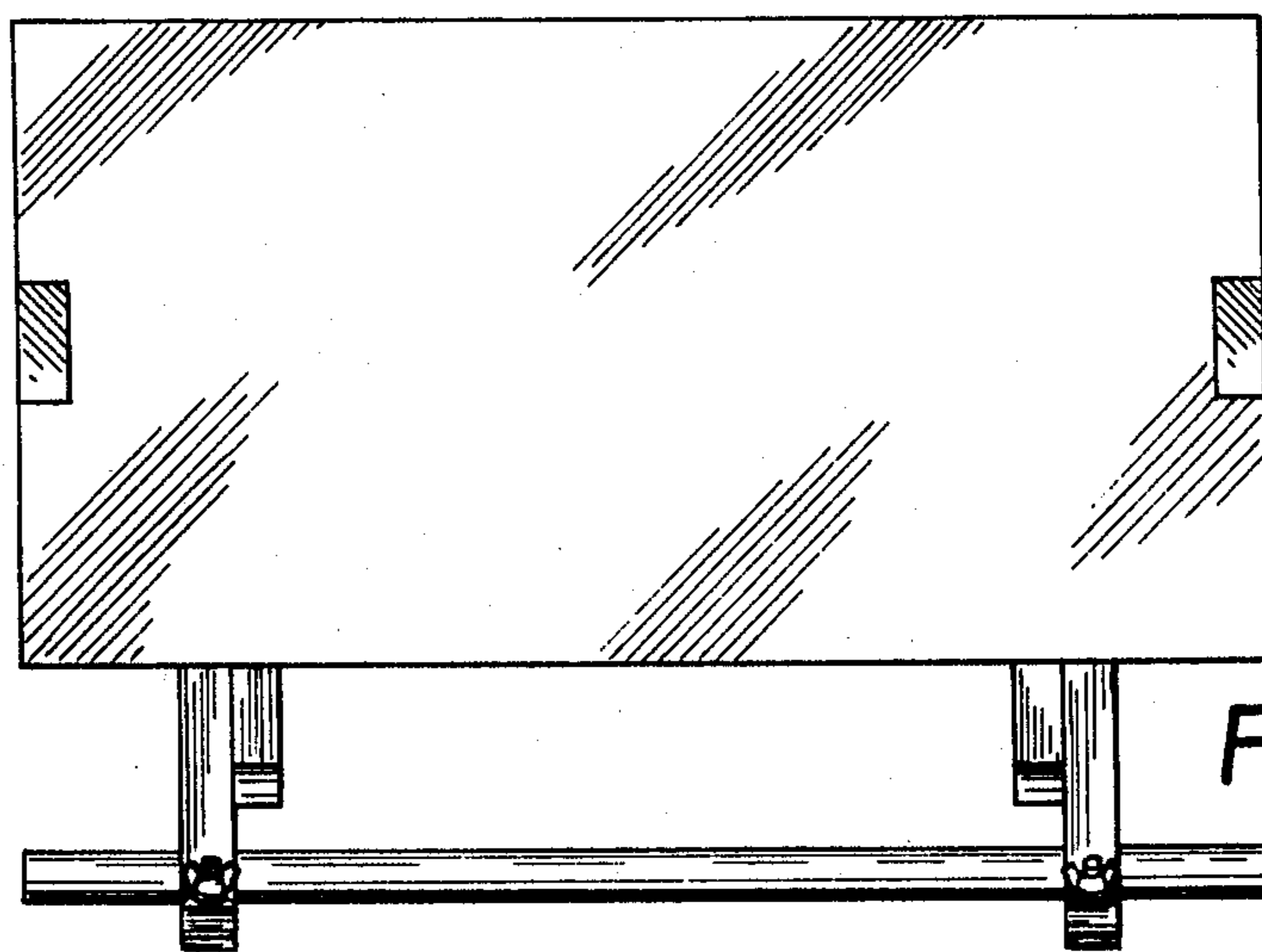


Fig. 5

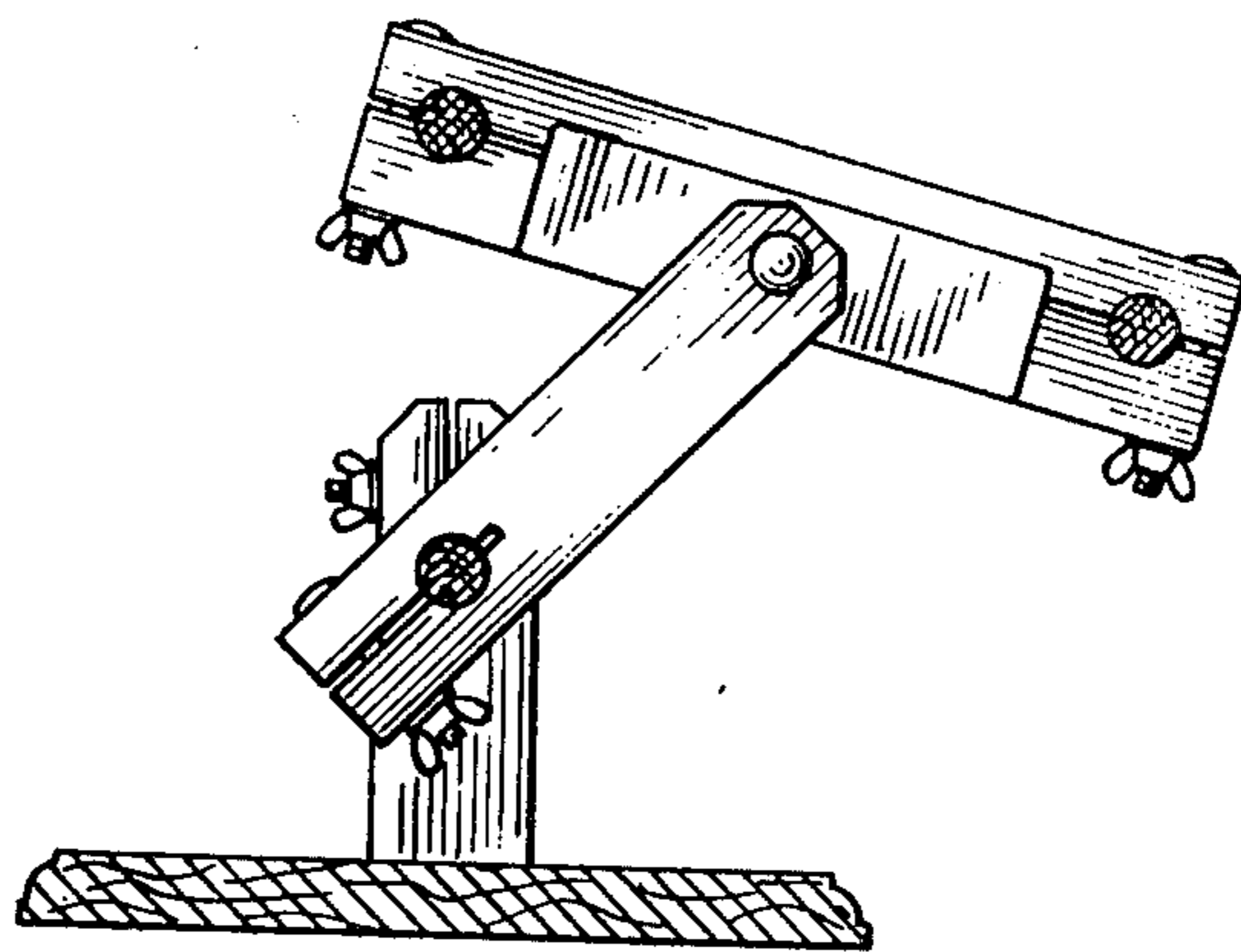


Fig. 6