

[54] **TELEPHONE SET**

[76] **Inventor:** Vincenzina Marzovilli, 30, Via Ronchi I 20134, Milan, Italy

[**] **Term:** 14 Years

[21] **Appl. No.:** 393,525

[22] **Filed:** Jun. 29, 1982

[30] **Foreign Application Priority Data**

May 7, 1981 [IT] Italy 21661 A/81

[52] **U.S. Cl.** D14/53

[58] **Field of Search** D14/53, 59, 62, 63, D14/64; 179/100 D, 101

[56] **References Cited**

U.S. PATENT DOCUMENTS

D. 212,234 9/1968 Moranduzzo D14/53 X
D. 249,795 10/1978 Brown D14/59

OTHER PUBLICATIONS

Catalog published by Grandcom, Inc. N.Y. City, entitled Telephone Hdqts. of America, p. 8, Eiffel Tower Phone.
2TT Ad Supplement, Retailing Home Furnishing Mag.,

1-23-78, Antique Style European and French Phones, p. 3.
Design Line Phones Ad, Better Homes & Gardens, May 1976, p. 30, Sundry Continental Style Phones of AT&T.

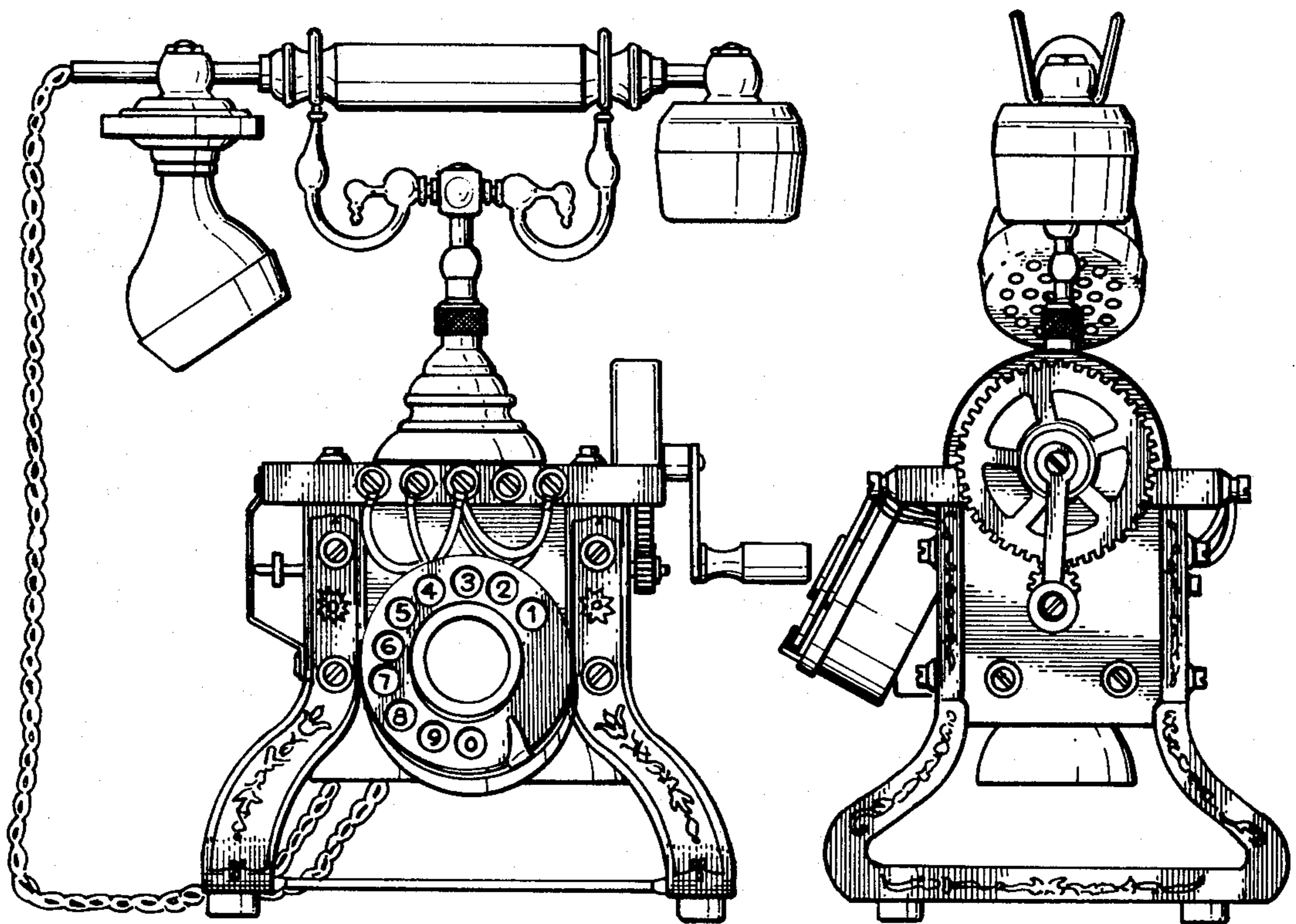
Primary Examiner—Wallace R. Burke
Assistant Examiner—Horace B. Fay
Attorney, Agent, or Firm—Steele, Gould & Fried

[57] **CLAIM**

The ornamental design for a telephone set, as shown and described.

DESCRIPTION

FIG. 1 is a front elevational view of a telephone set showing my design;
FIG. 2 is a side elevation view, taken from the right with respect to FIG. 1;
FIG. 3 is a top plan view thereof;
FIG. 4 is a rear elevational view thereof;
FIG. 5 is an elevational view taken from the side opposite that in FIG. 2; and
FIG. 6 is a bottom view thereof.



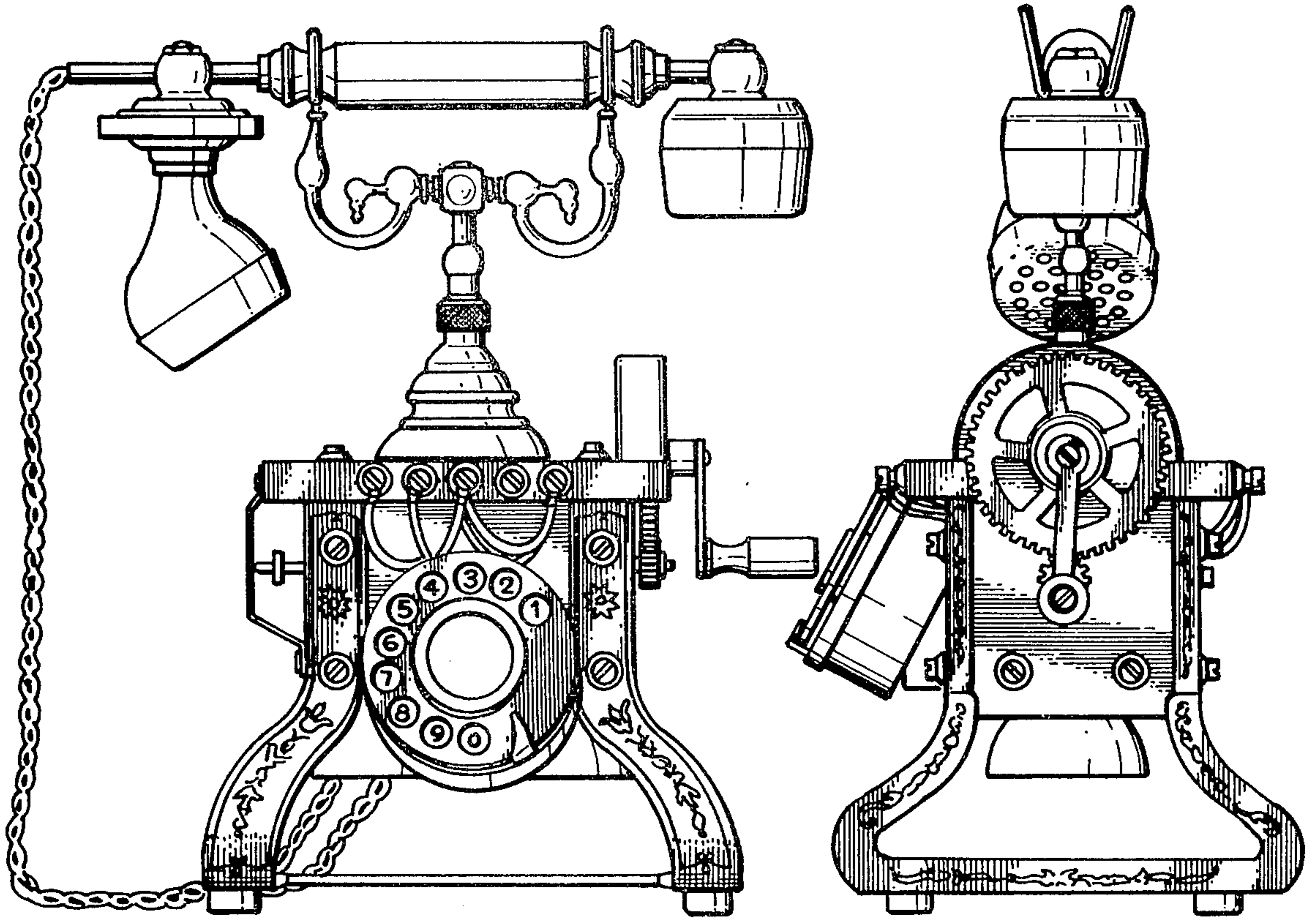


FIG. 1

FIG. 2

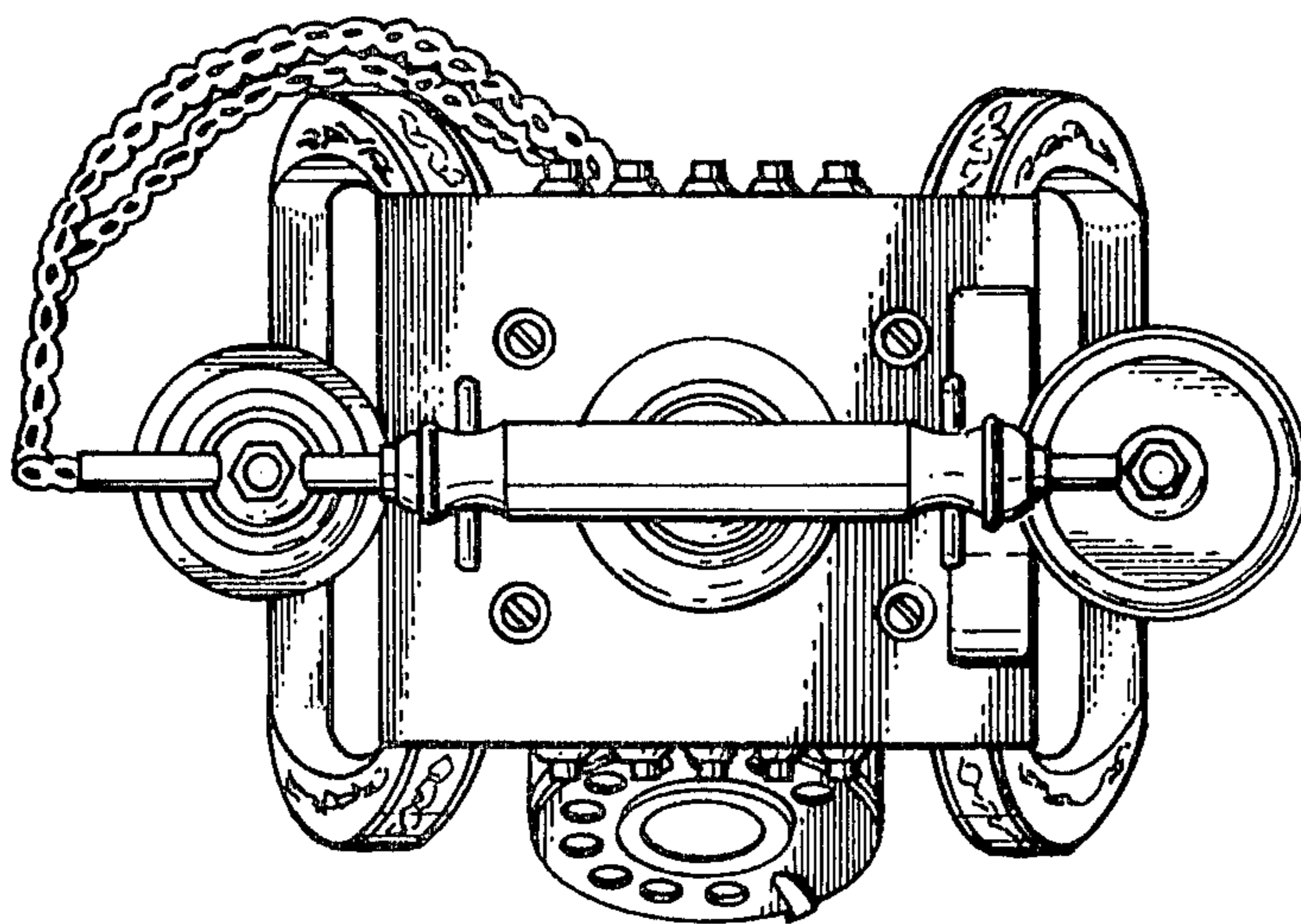


FIG. 3

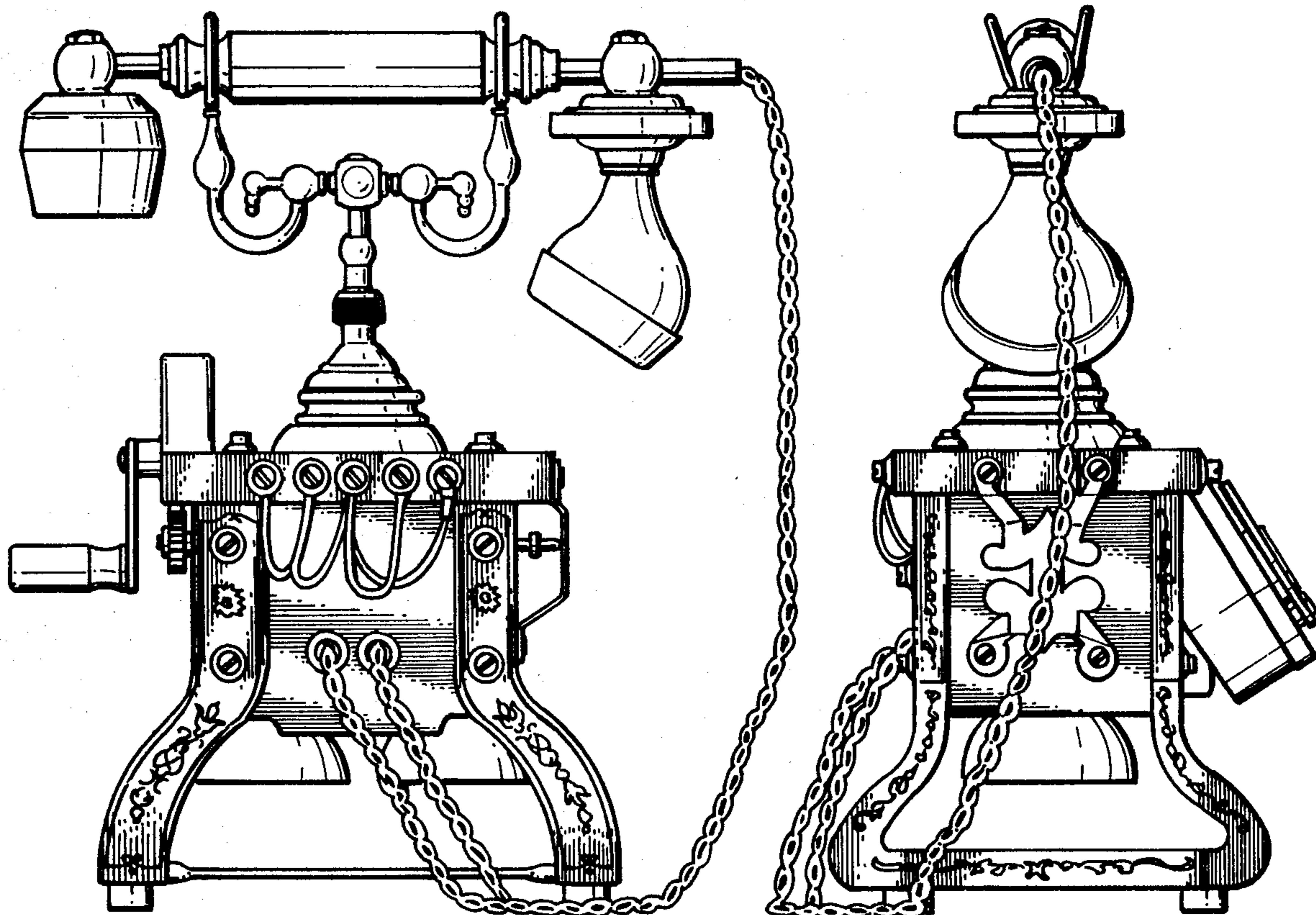


FIG. 4

FIG. 5

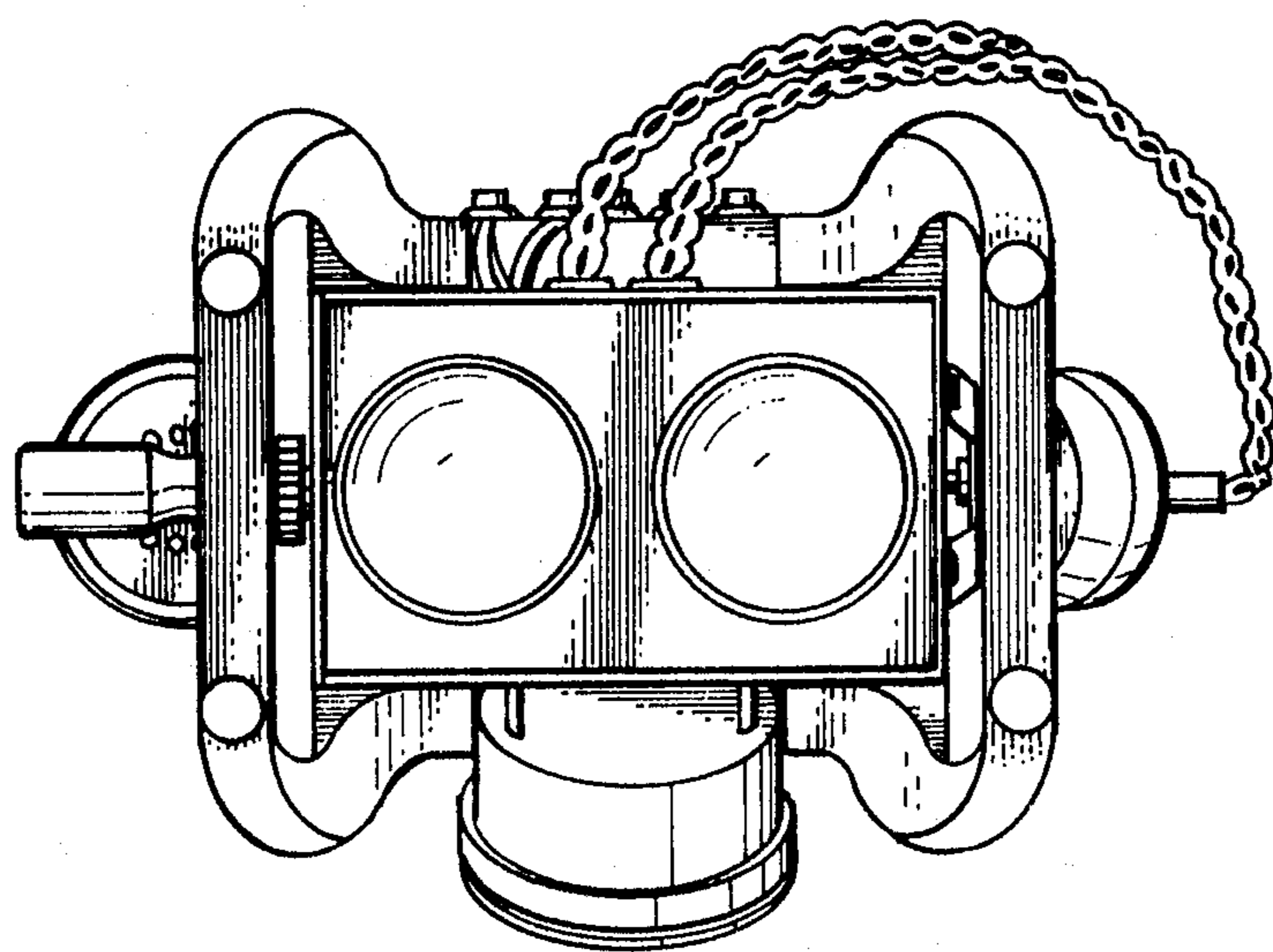


FIG. 6