

[54] VENTED WOOFER FRAME

[76] Inventor: Peter H. Werback, 8115 Berg St., Roseville, Calif. 95678

[\*\*] Term: 14 Years

[21] Appl. No.: 376,451

[22] Filed: May 10, 1982

[52] U.S. Cl. .... D14/37; D14/32; D14/34; D14/38

[58] Field of Search ..... D14/32, 33, 34, 37, D14/38; 181/144; 179/115.5 PS, 116; 381/89

[56] References Cited

U.S. PATENT DOCUMENTS

1,644,605	10/1927	Pavek	.....	181/144
2,297,972	10/1942	Mills	.....	179/116
3,477,540	11/1969	Rizo-Patron	.....	179/116
4,016,953	4/1977	Butler	.....	179/116 X

FOREIGN PATENT DOCUMENTS

2224246 11/1973 Fed. Rep. of Germany ..... 381/89

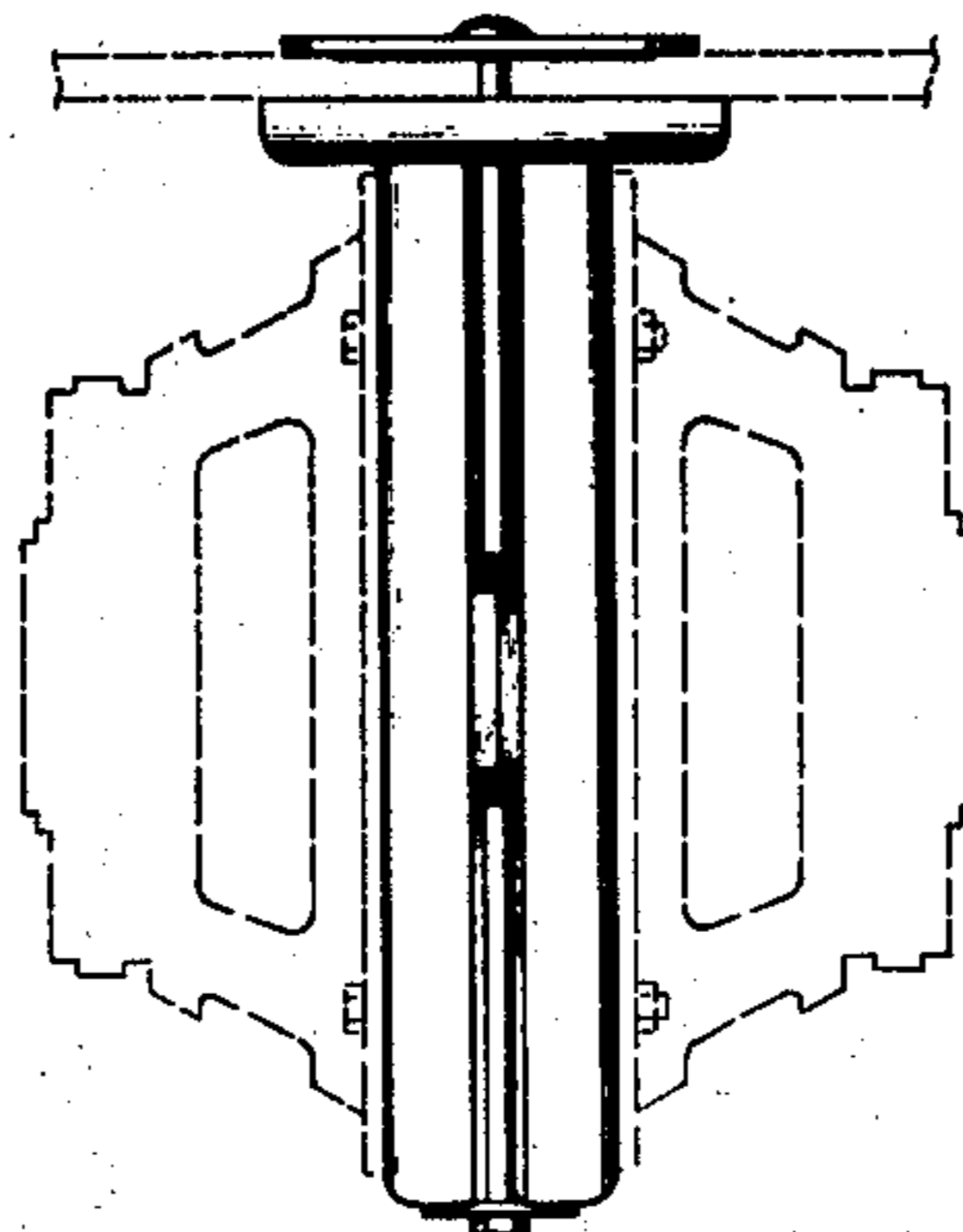
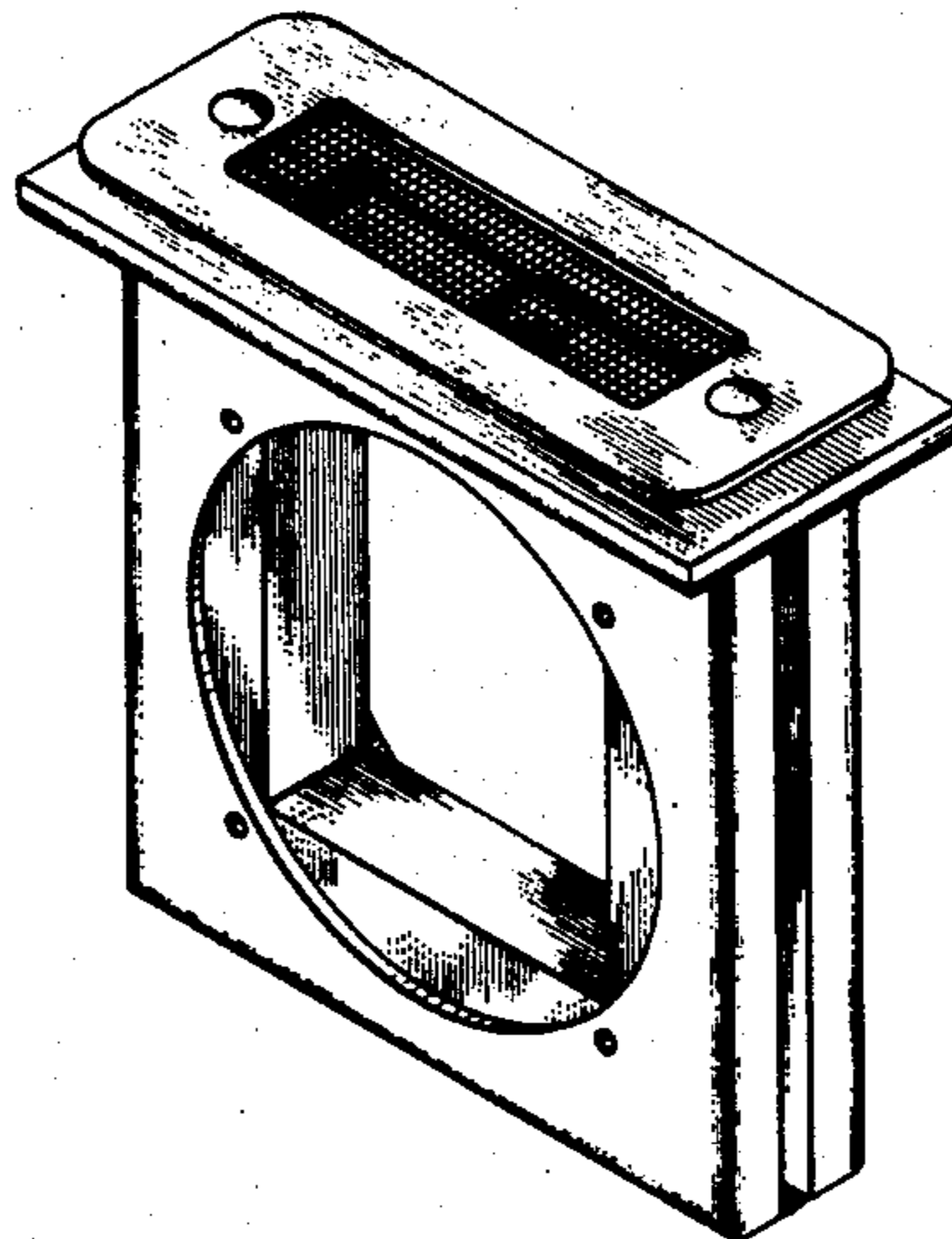
Primary Examiner—Jane E. Corrigan  
Attorney, Agent, or Firm—Lothrop & West

[57] CLAIM

The ornamental design for a vented woofer frame, as shown and described.

DESCRIPTION

FIG. 1 is a front, top and right side perspective view of a vented woofer frame showing my new design; FIG. 2 is a front elevational view, the rear being substantially identical; FIG. 3 is a side elevational view; FIG. 4 is a top plan view; FIG. 5 is a bottom plan view; and FIG. 6 is a view like FIG. 2 with a fragmentary planar mounting surface and a pair of woofers shown in broken lines for illustrative purposes only and forming no part of the claimed design.



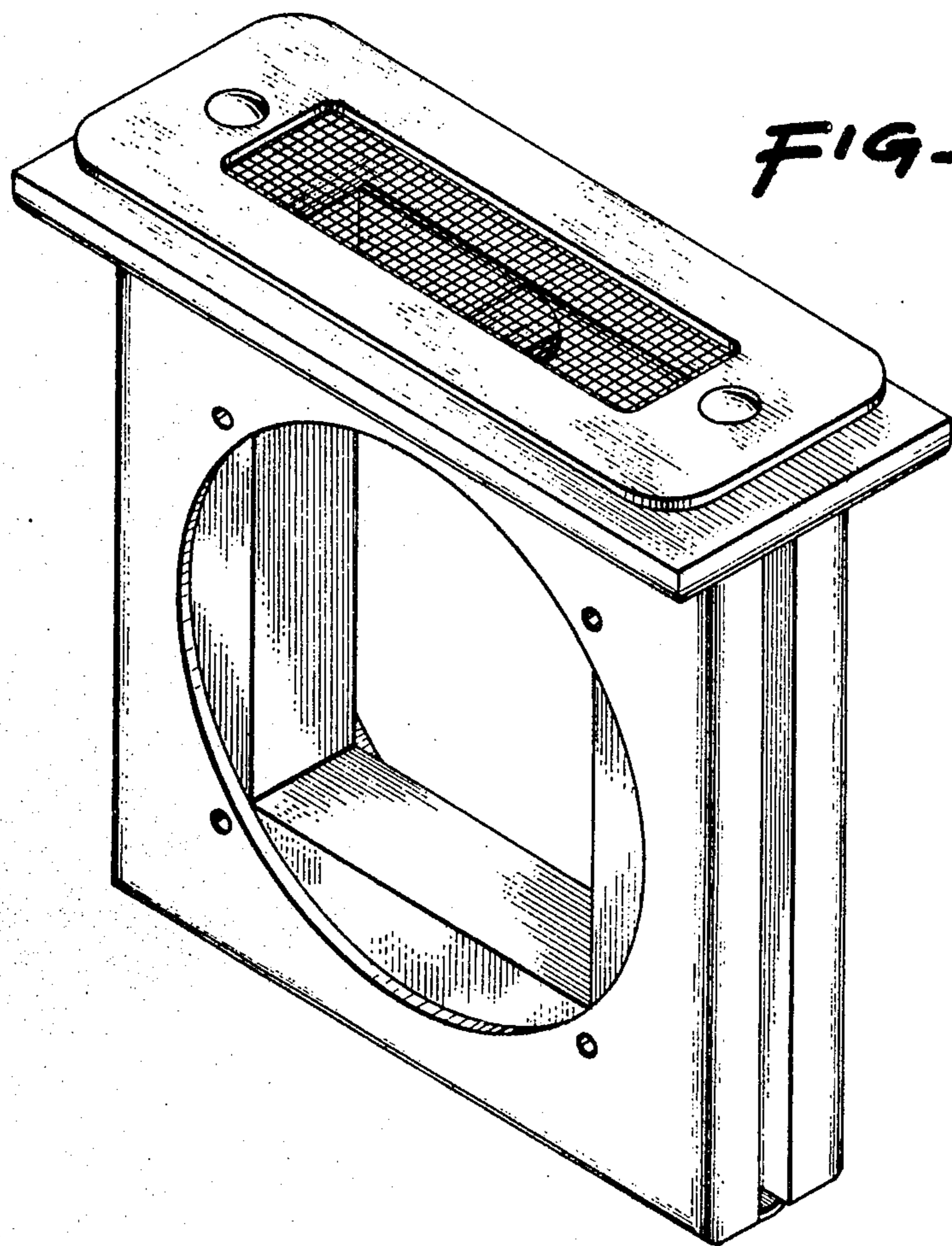
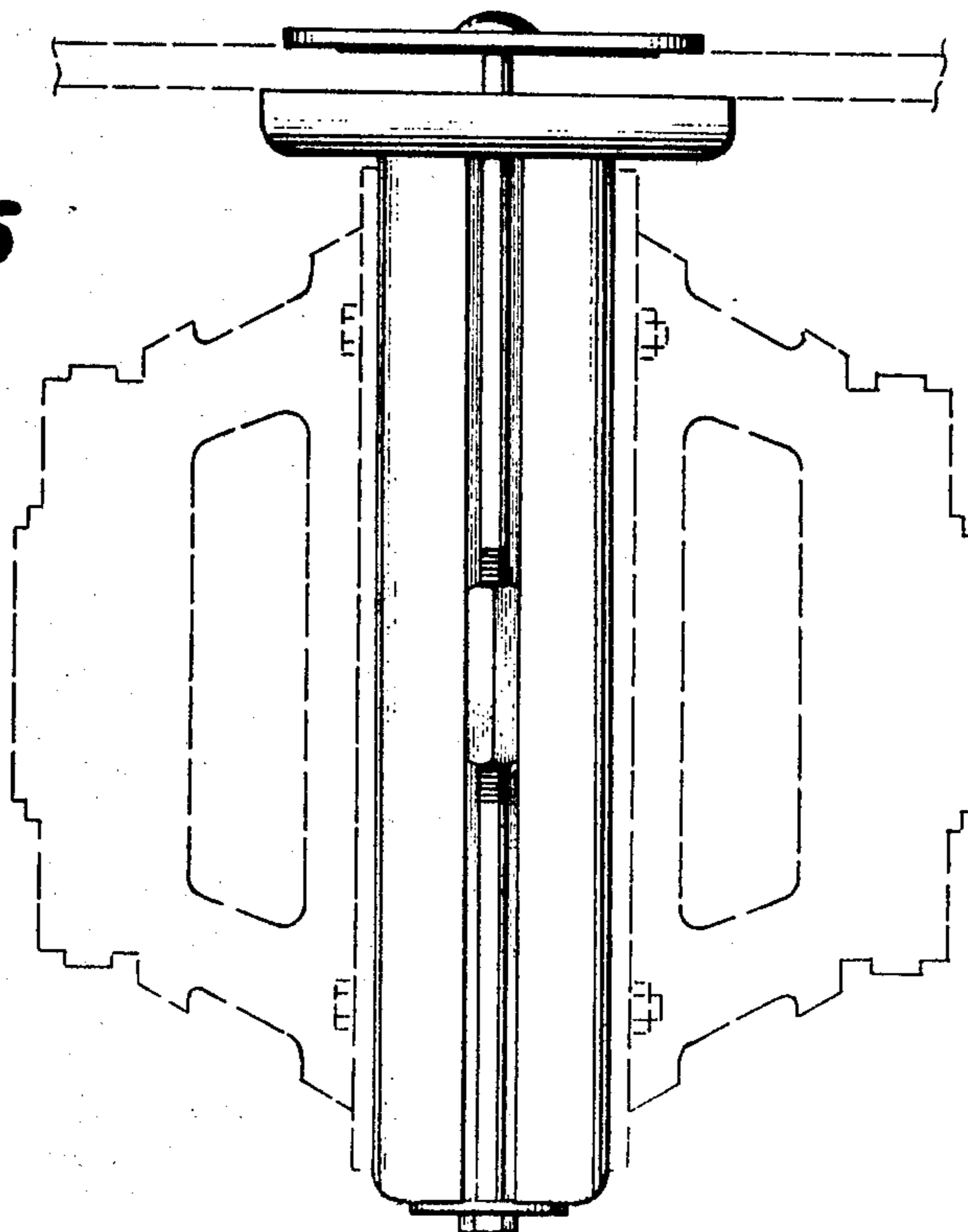


FIG-6



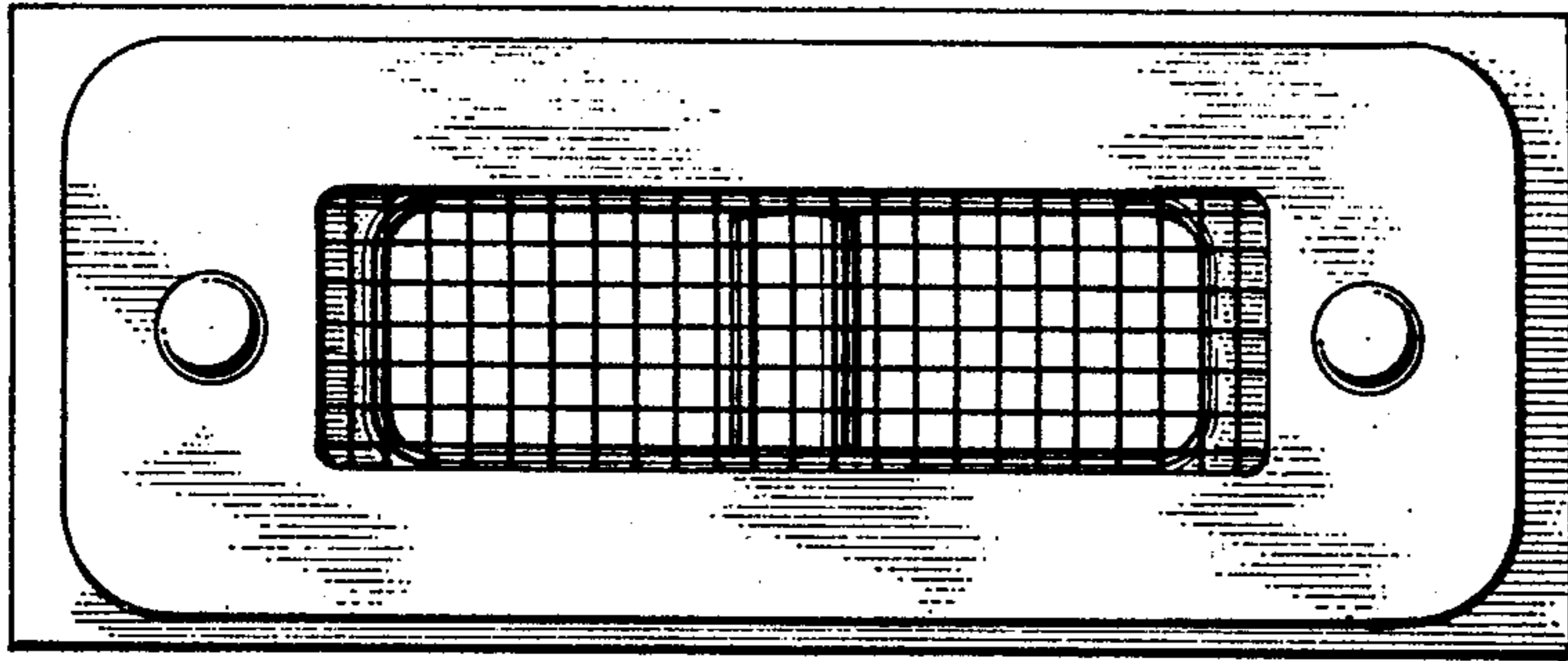


FIG-4

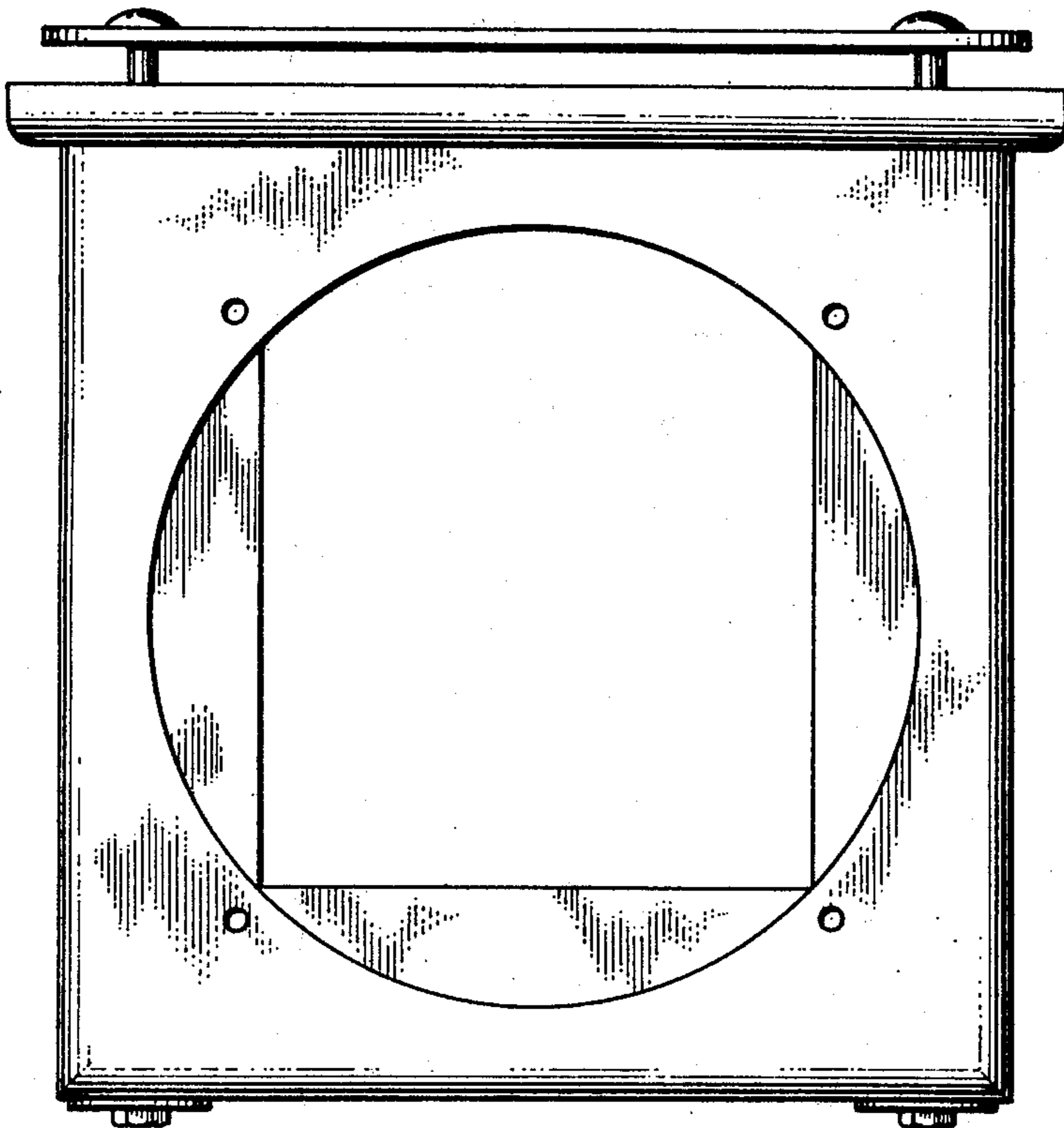


FIG-3

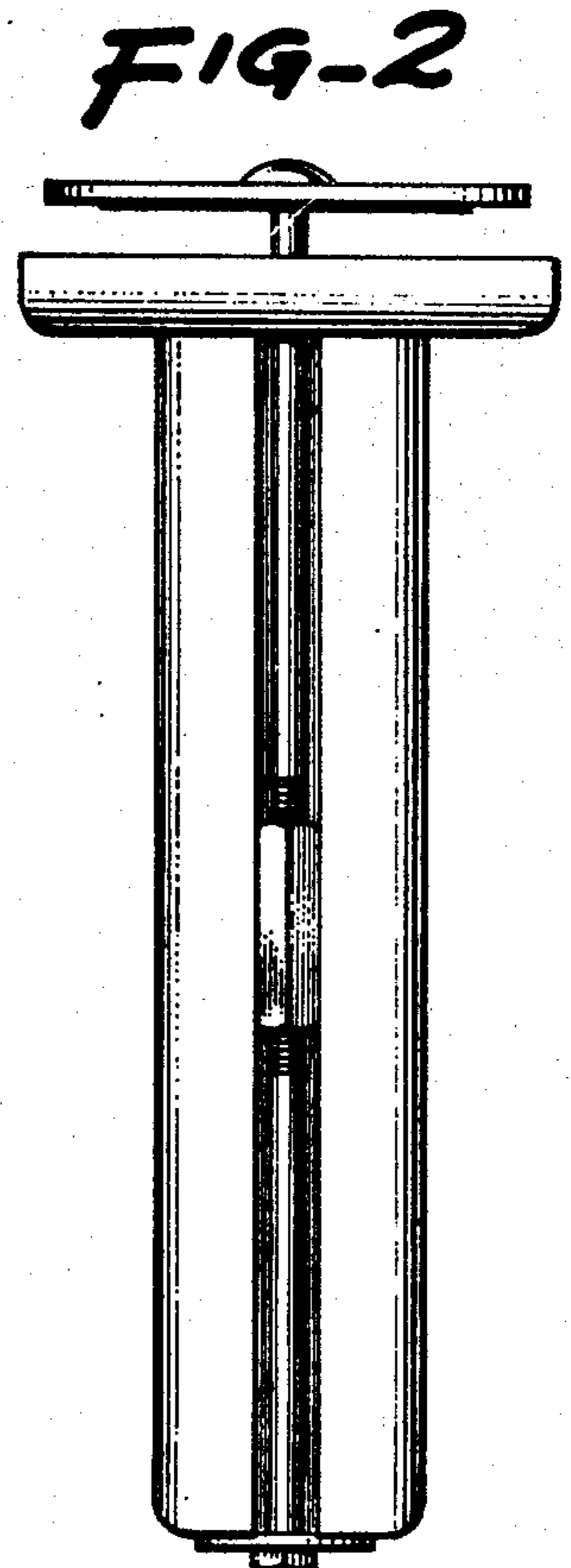


FIG-2

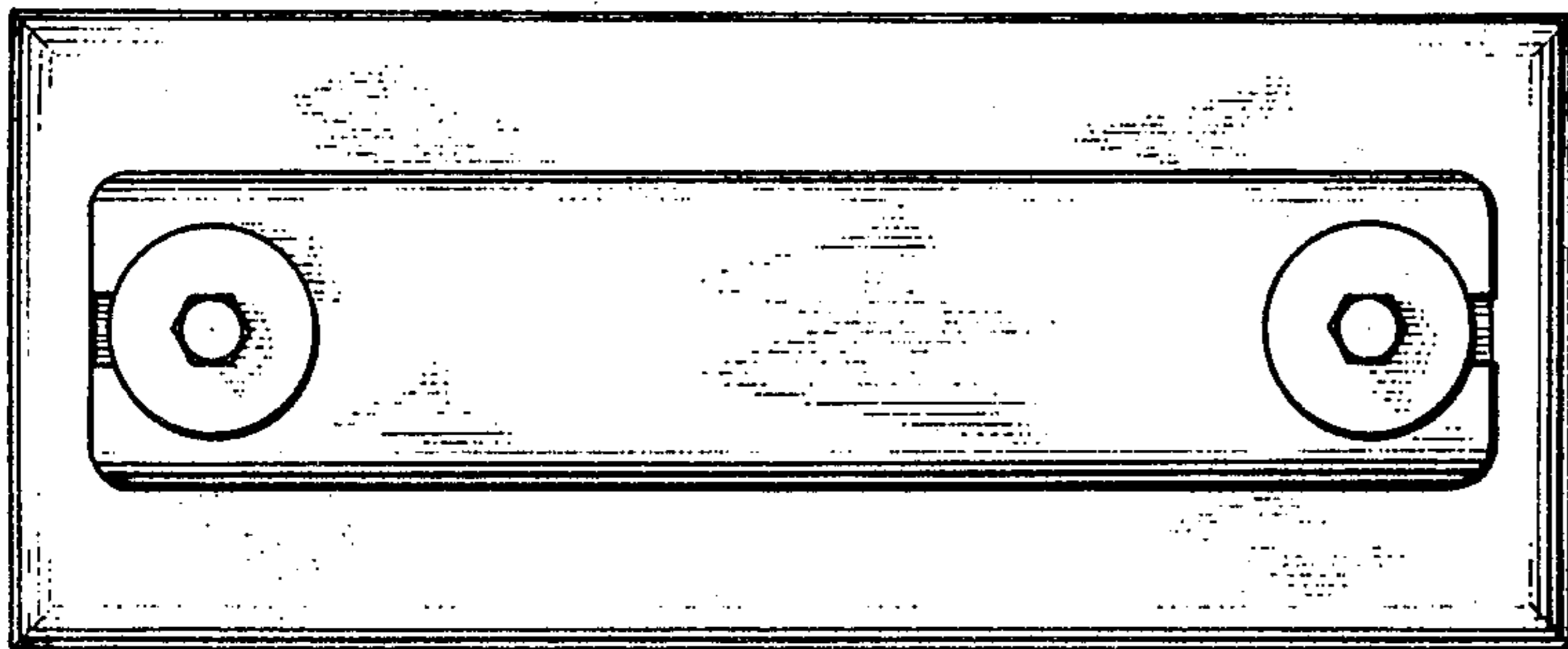


FIG-5