

United States Patent [19]

Eckmann et al.

[11] Patent Number: **Des. 276,149**

[45] Date of Patent: **** Oct. 30, 1984**

[54] **BATTERY CHARGER OR SIMILAR ARTICLE**

[75] Inventors: **John A. Eckmann**, Baldwinsville, N.Y.; **William J. Scheid**, Coral Springs, Fla.

[73] Assignee: **Motorola, Inc.**, Schaumburg, Ill.

[**] Term: **14 Years**

[21] Appl. No.: **432,239**

[22] Filed: **Oct. 1, 1982**

[52] U.S. Cl. **D13/5**

[58] Field of Search **D13/5; 320/2-5**

[56] **References Cited**

U.S. PATENT DOCUMENTS

- D. 201,084 5/1965 Bradshaw et al. D13/5
D. 223,099 3/1972 Sato D13/5

- D. 227,123 6/1973 Sato D13/5
D. 244,618 6/1977 Goldman et al. D13/5
D. 251,904 5/1979 Nardella et al. D13/5
3,348,116 10/1967 Freeman et al. 320/2

Primary Examiner—Wallace R. Burke
Assistant Examiner—Lynn Wilder
Attorney, Agent, or Firm—Joseph T. Downey; Edward M. Roney; James W. Gillman

[57] CLAIM

The ornamental design for a battery charger or similar article, substantially as shown and described.

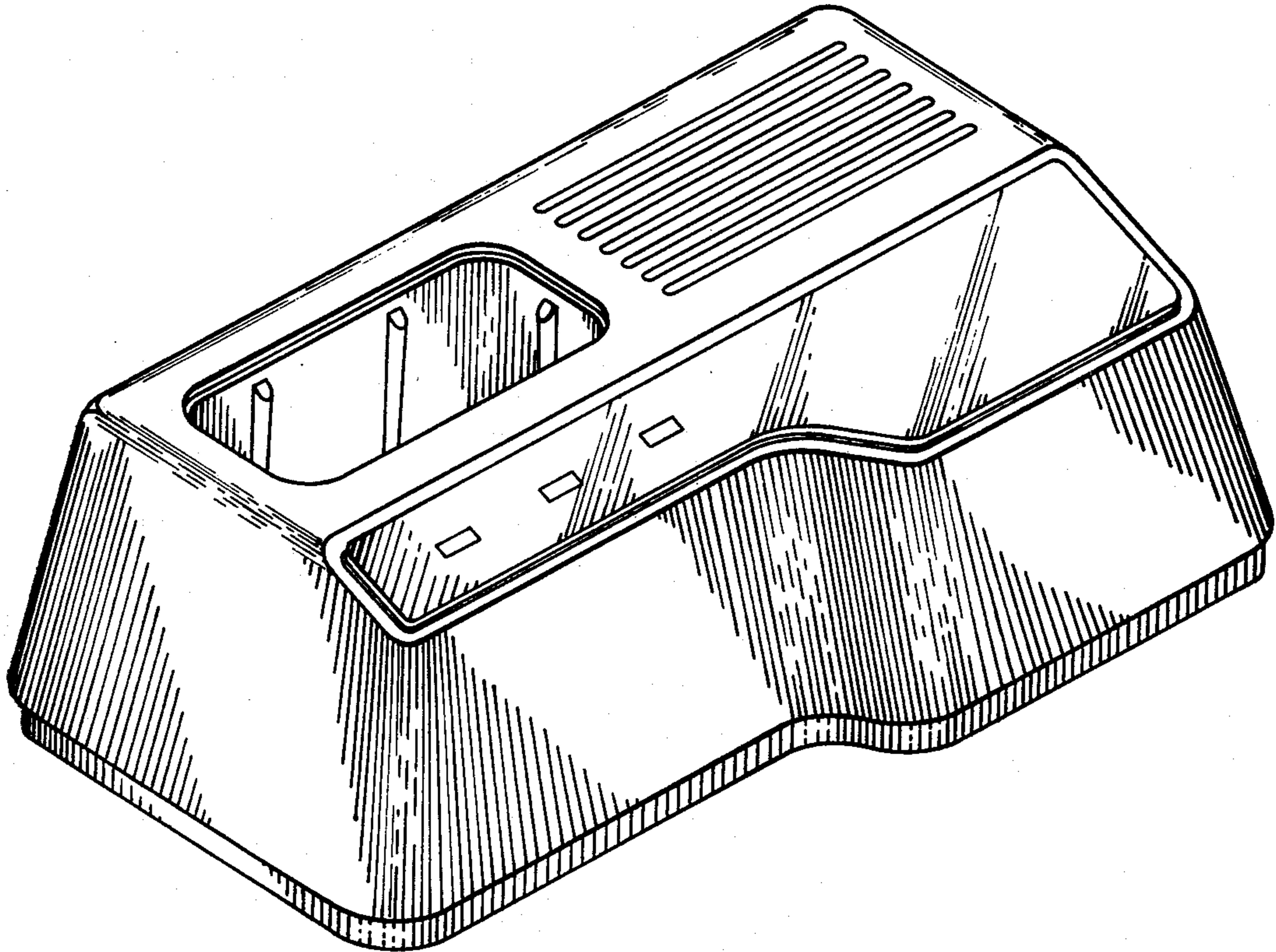
DESCRIPTION

FIG. 1 is a top perspective view of a battery charger or similar article showing our new design.

FIG. 2 is a side elevational view thereof;

FIG. 3 is a rear elevational view thereof;

FIG. 4 is a bottom plan view thereof.



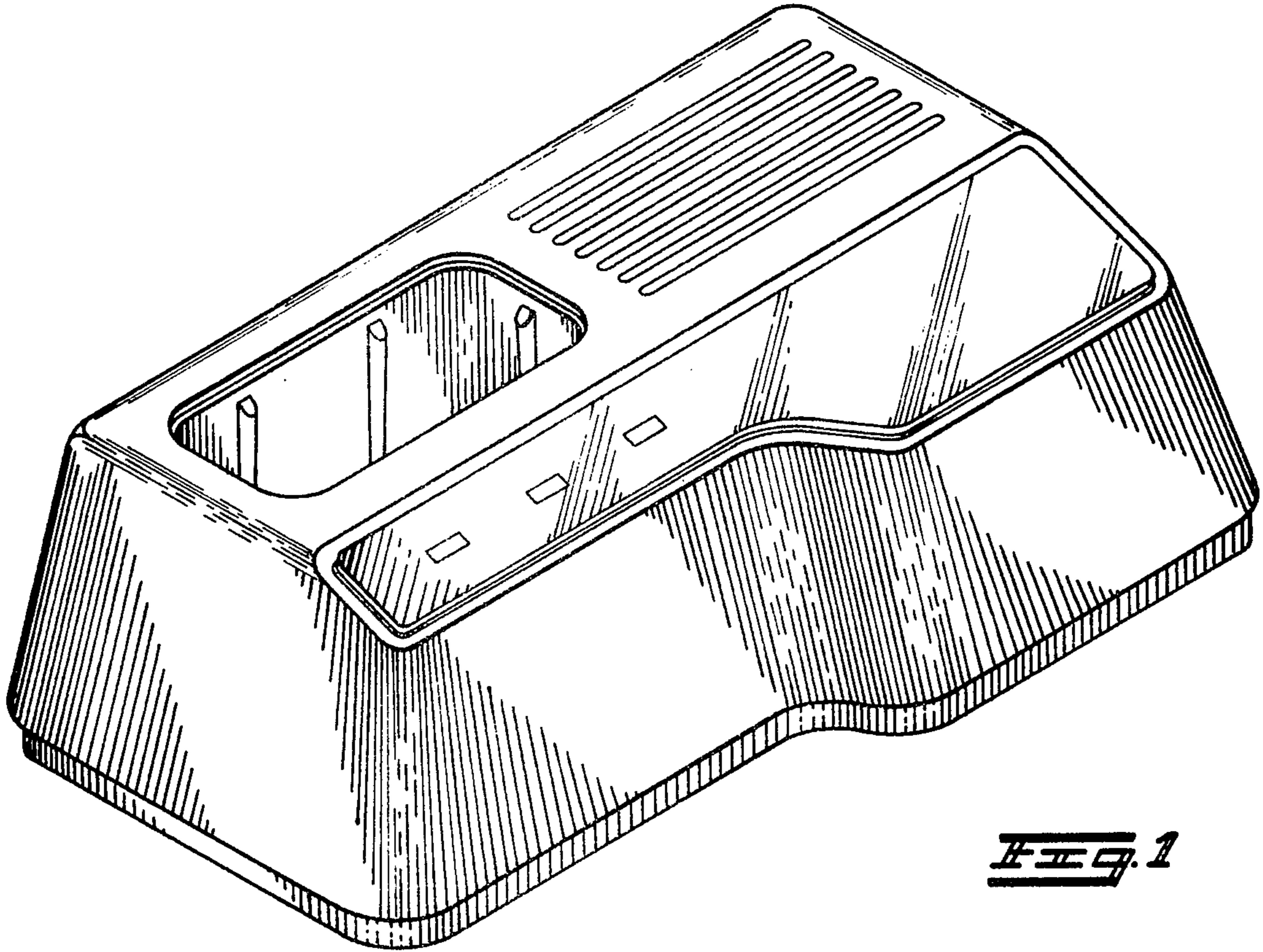


FIG. 1

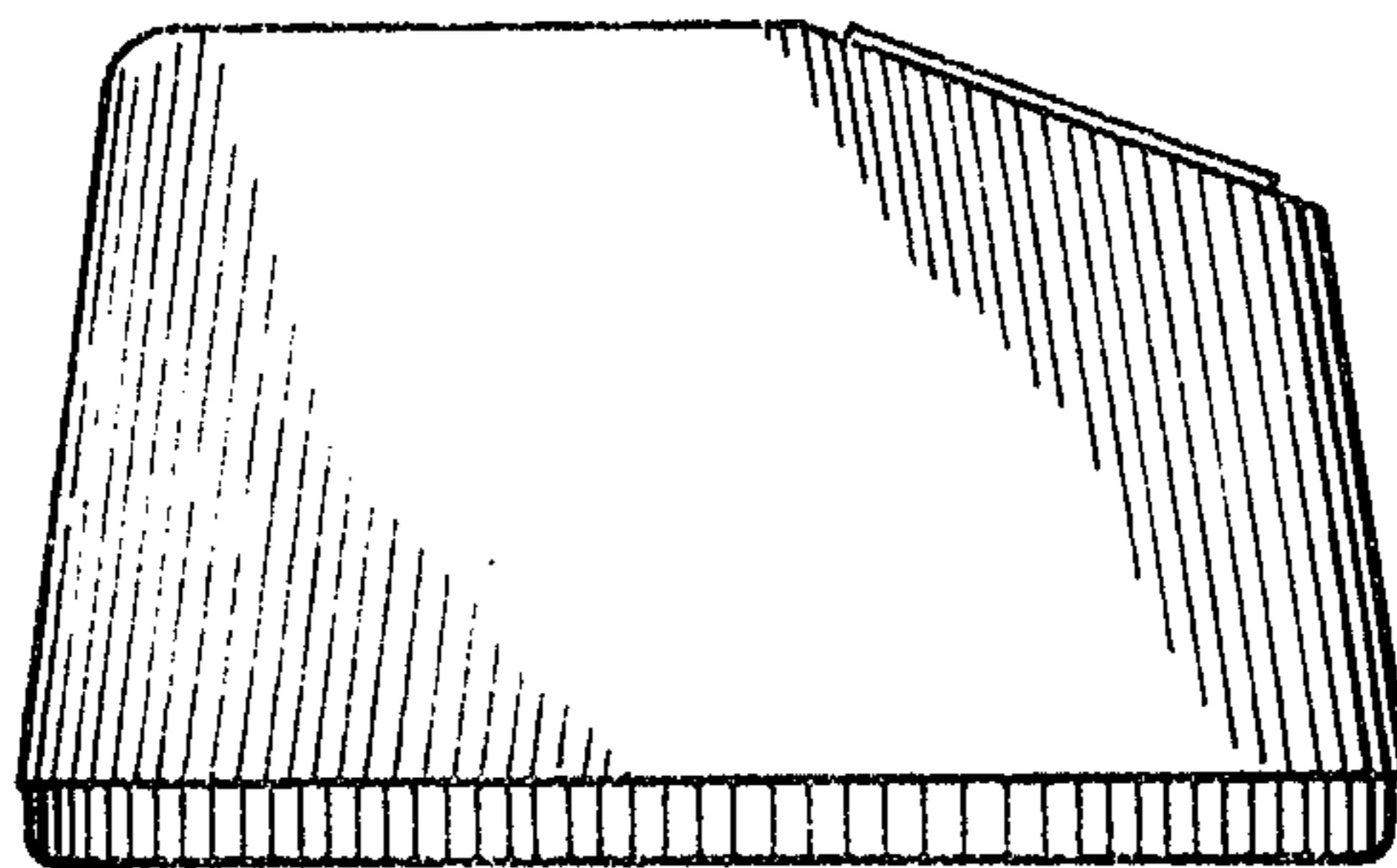


FIG. 2

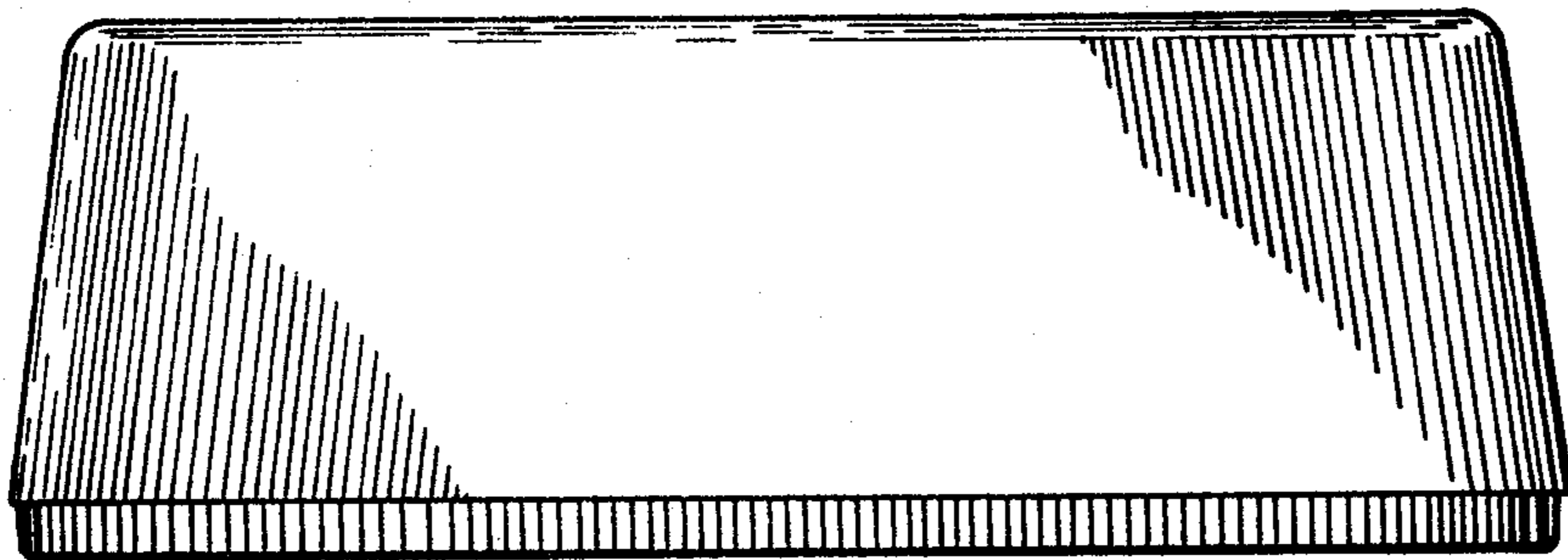


FIG. 3

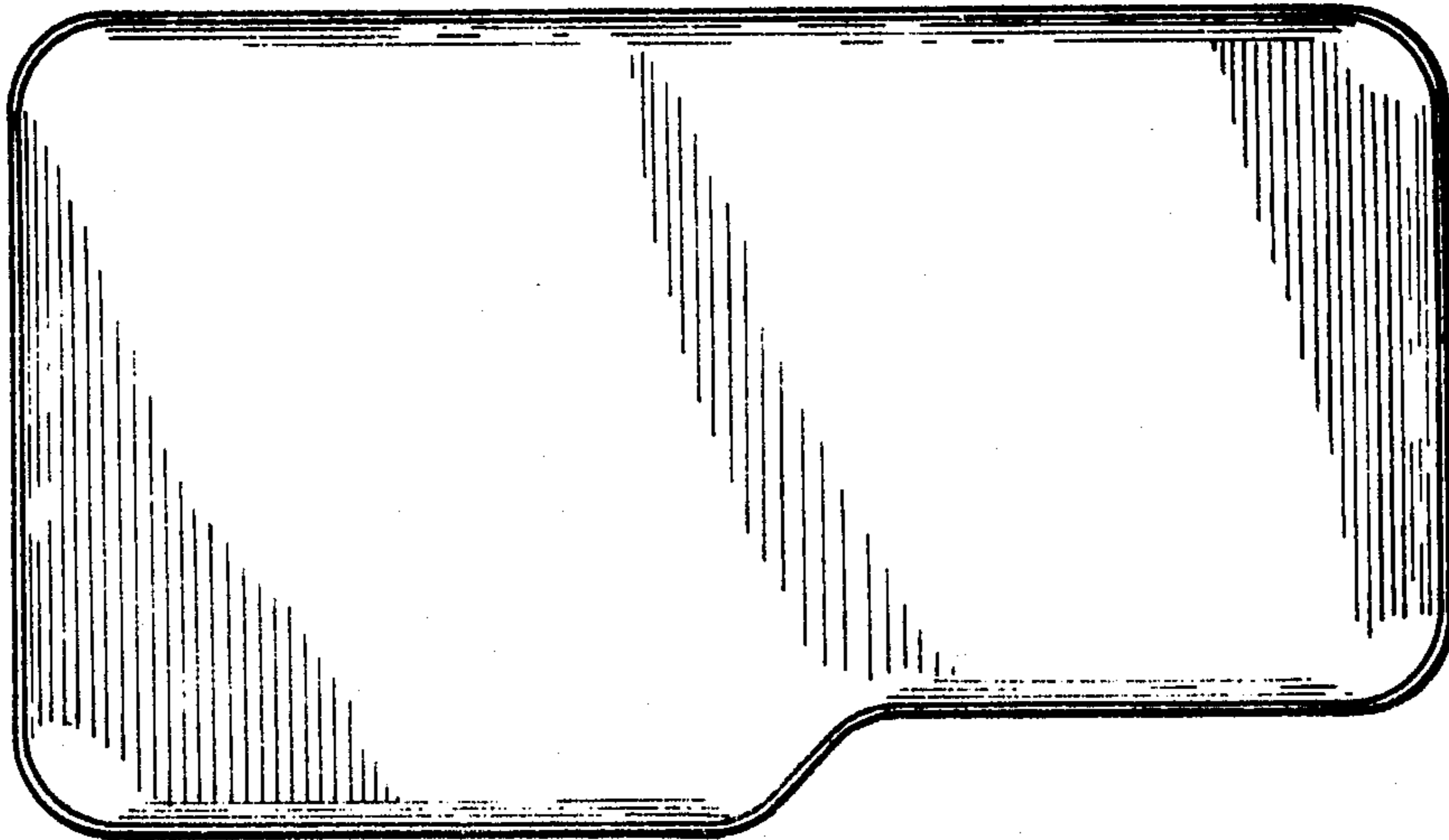


FIG. 4