

United States Patent [19]

Walker

[11] Patent Number: Des. 276,148

[45] Date of Patent: ** Oct. 30, 1984

[54] WATER BICYCLE

[75] Inventor: Terry J. Walker, House 2, 35 Marks St., Naremburn, New South Wales 2065, Australia

[73] Assignee: Terry James Walker, New South Wales, Australia

[**] Term: 14 Years

[21] Appl. No.: 260,872

[22] Filed: May 6, 1981

[30] Foreign Application Priority Data

Nov. 13, 1980 [AU] Australia 82596
[52] U.S. Cl. D12/306
[58] Field of Search D12/9, 306; 280/12 KL, 280/12.1, 12 R; 440/29, 30, 90

[56] References Cited

U.S. PATENT DOCUMENTS

D. 252,079 6/1979 Derkach et al. D12/9
1,429,636 9/1922 Rowe D12/10
1,740,216 12/1929 Arroyo 440/30

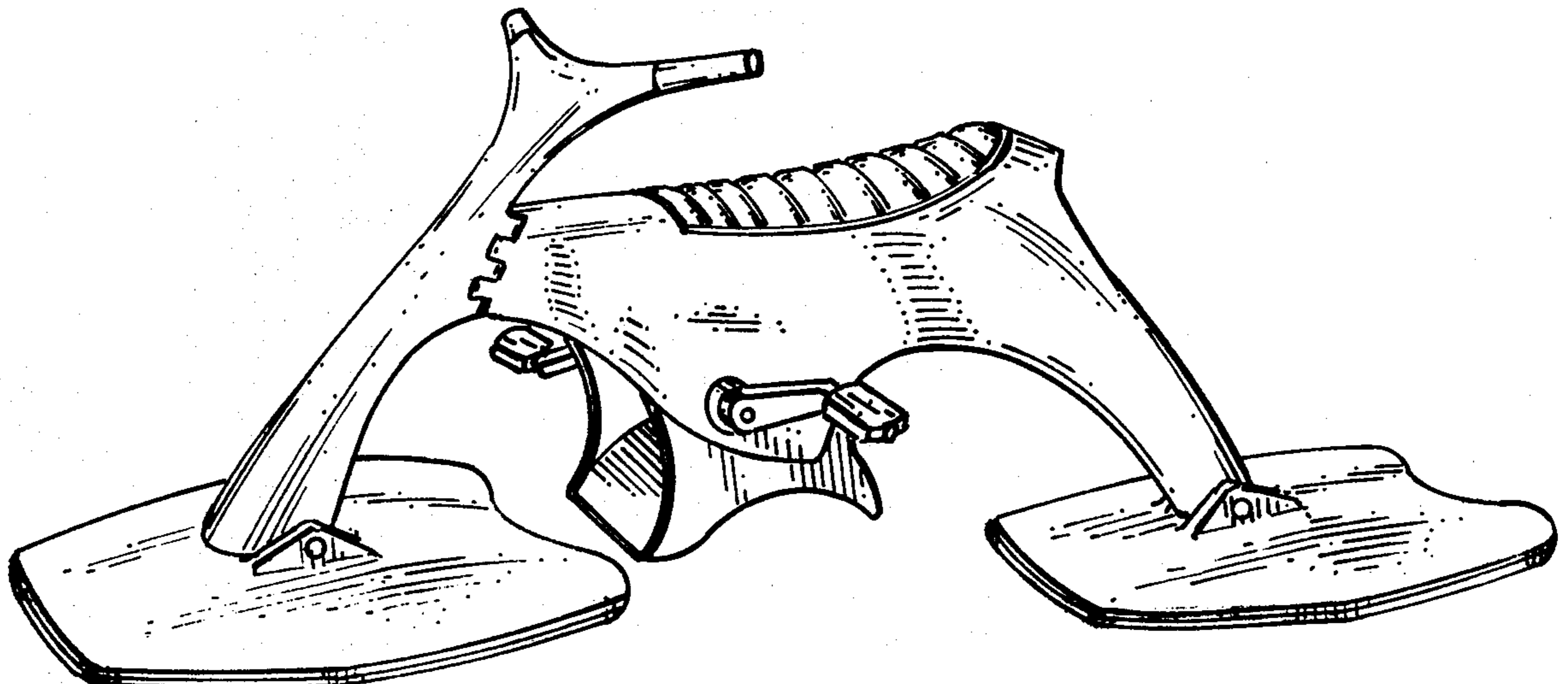
Primary Examiner—James M. Gandy
Attorney, Agent, or Firm—Ladas & Parry

[57] CLAIM

The ornamental design for a water bicycle, as shown.

DESCRIPTION

FIG. 1 is a bottom plan view of a water bicycle;
FIG. 2 is a side elevational view thereof;
FIG. 3 is a perspective view thereof;
FIG. 4 is a top plan view thereof;
FIG. 5 is a rear elevational view thereof, and
FIG. 6 is a front elevational view thereof.



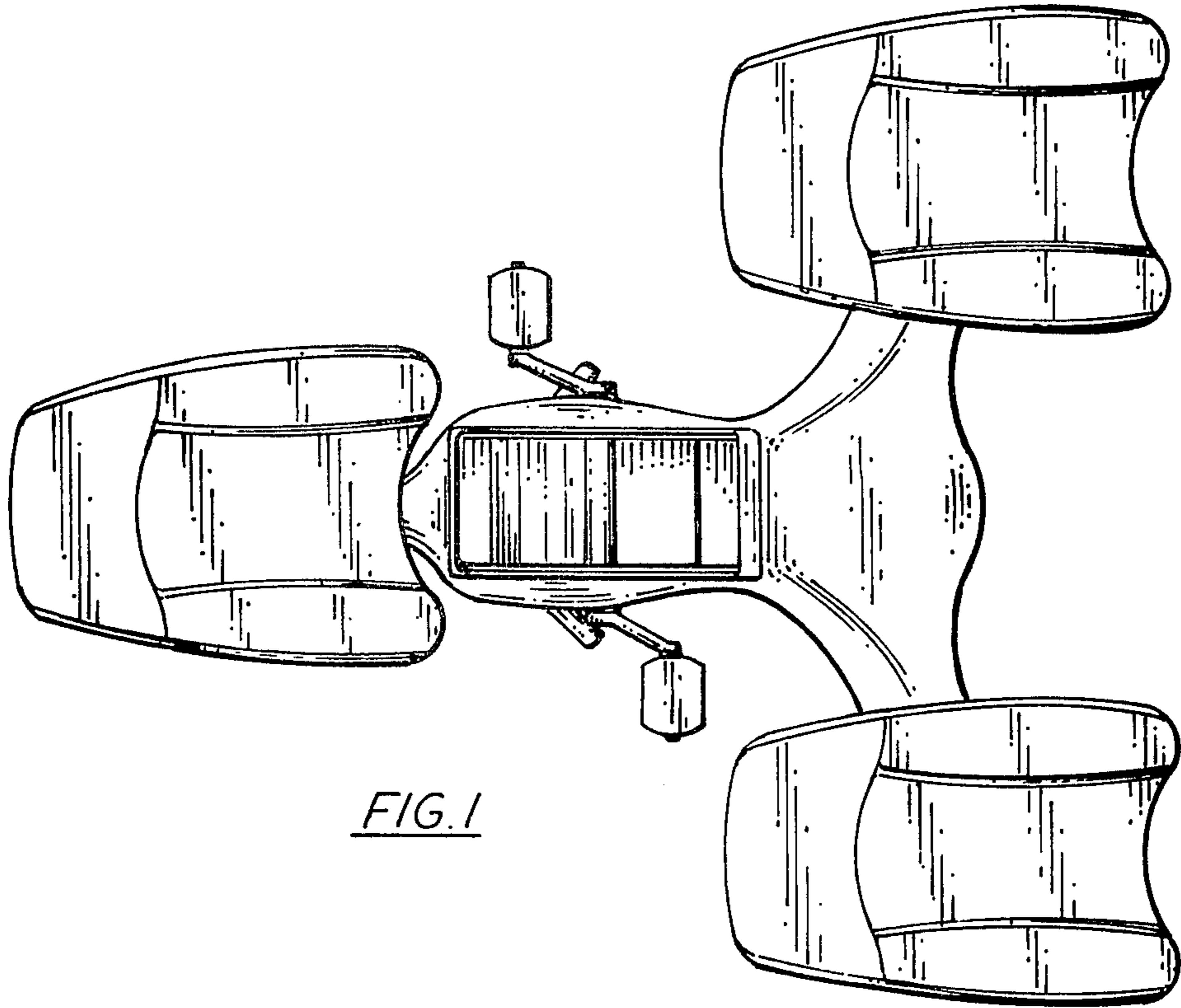


FIG. 1

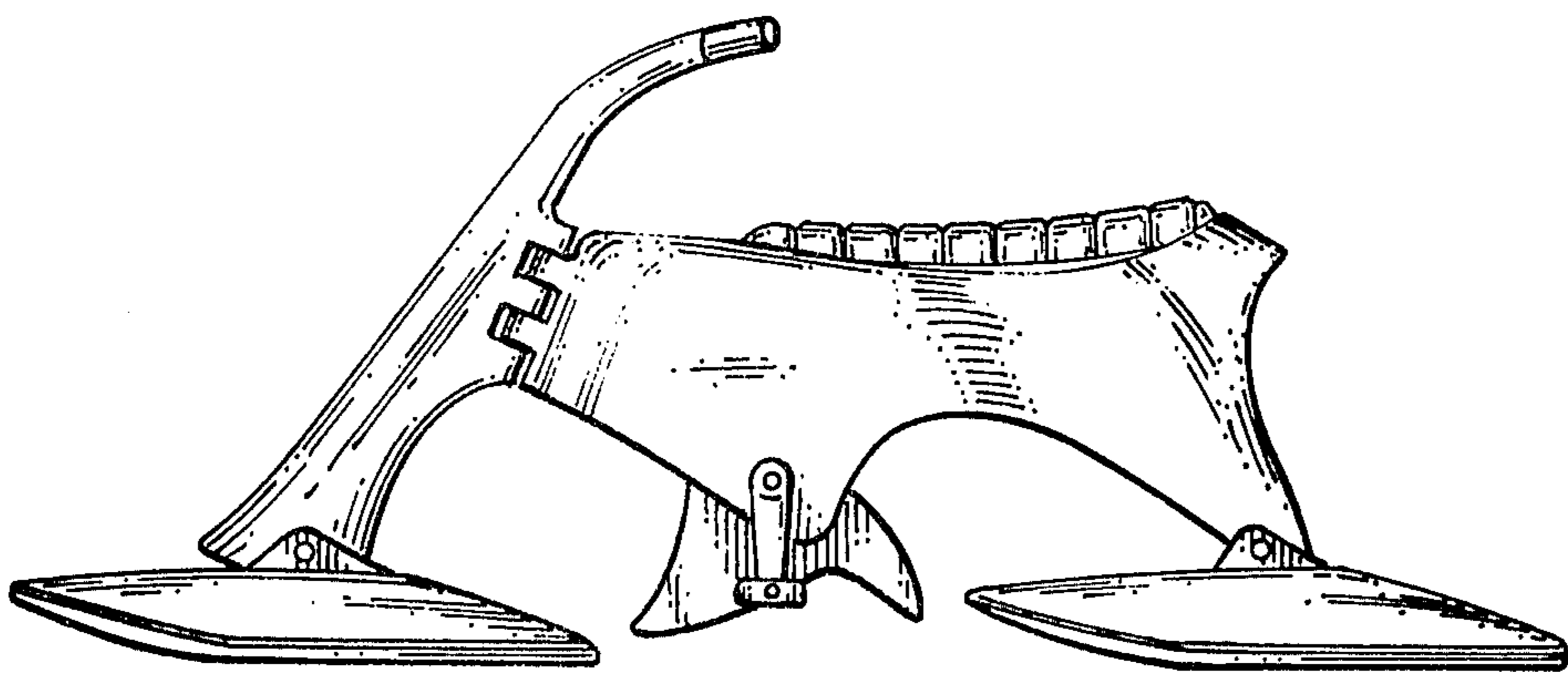


FIG. 2

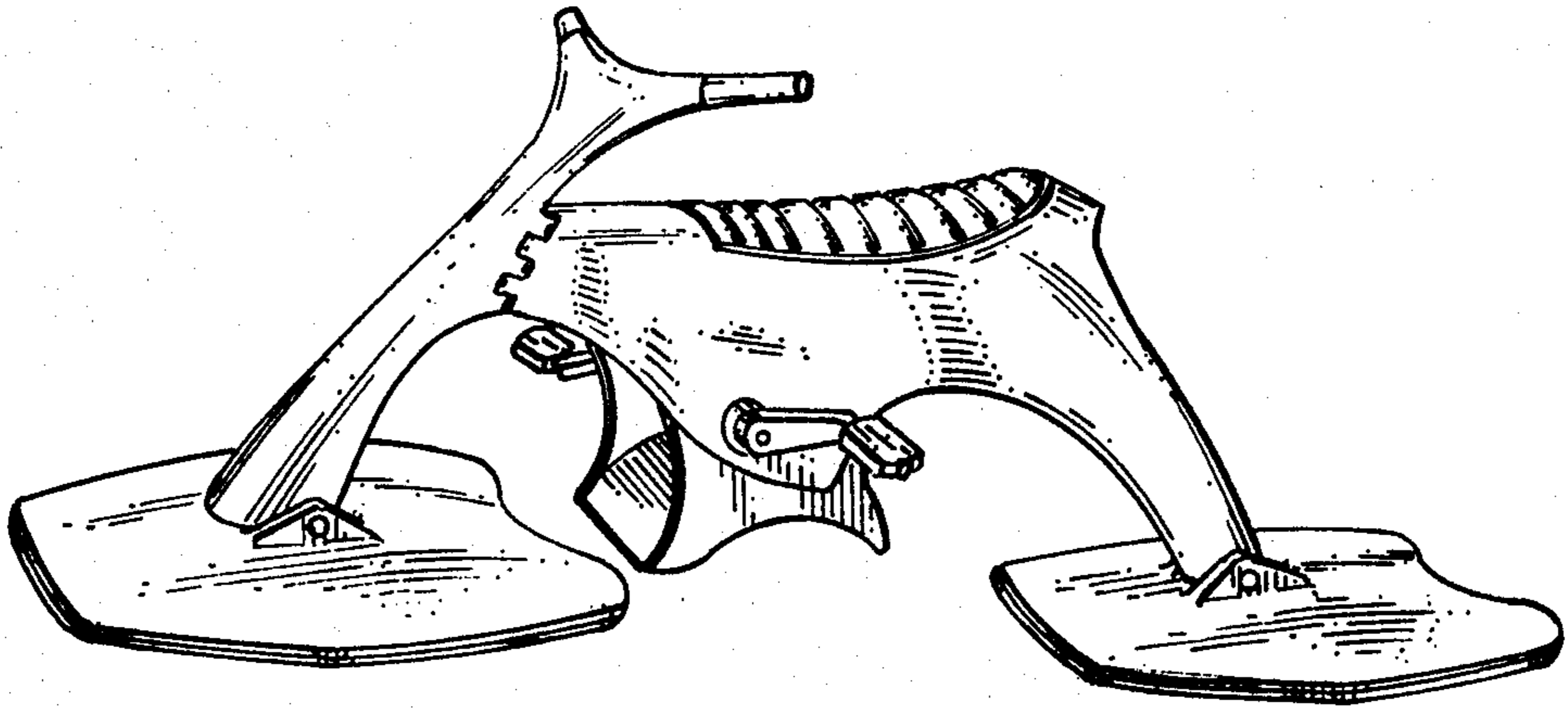


FIG. 3

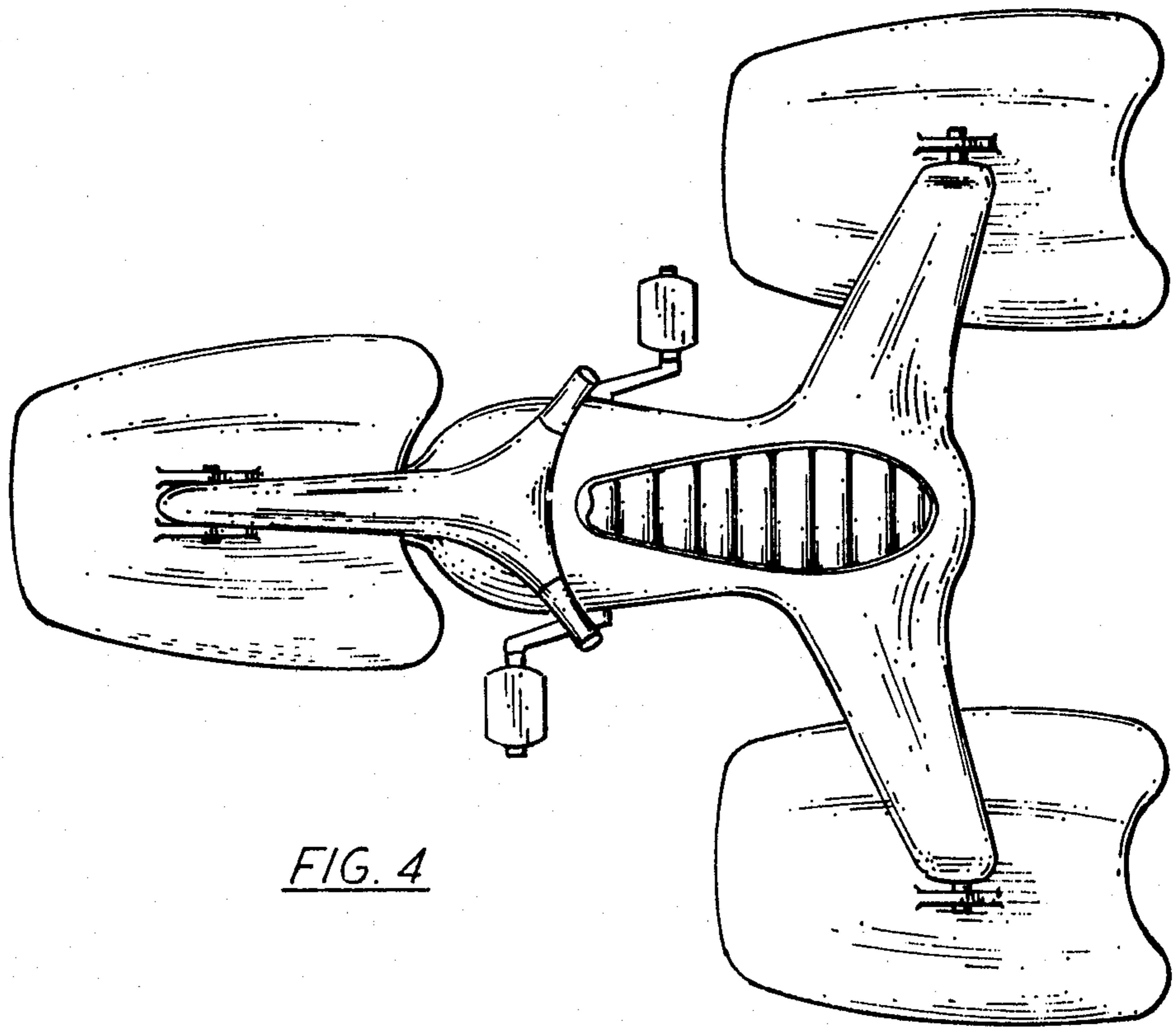


FIG. 4

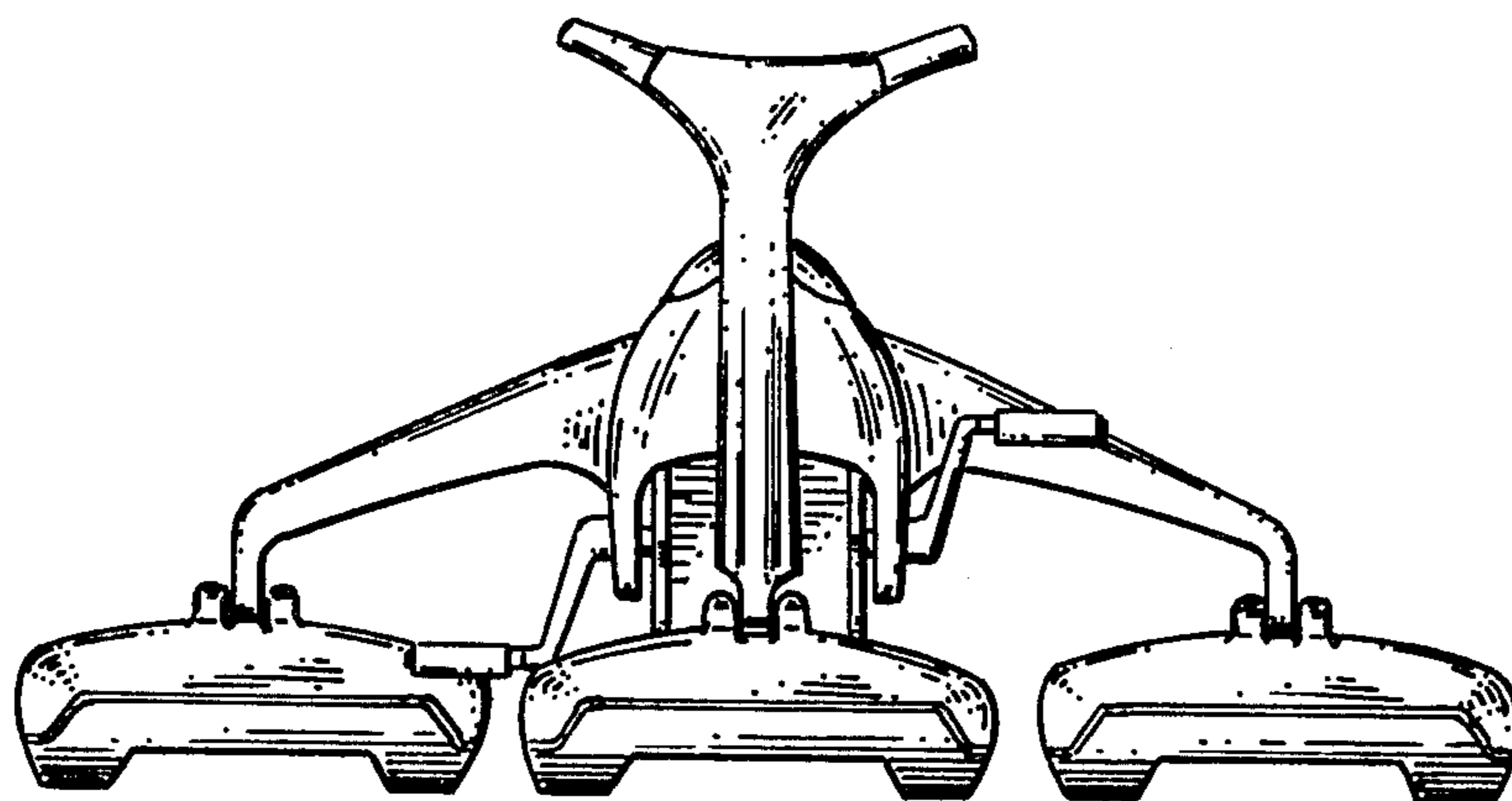


FIG. 5

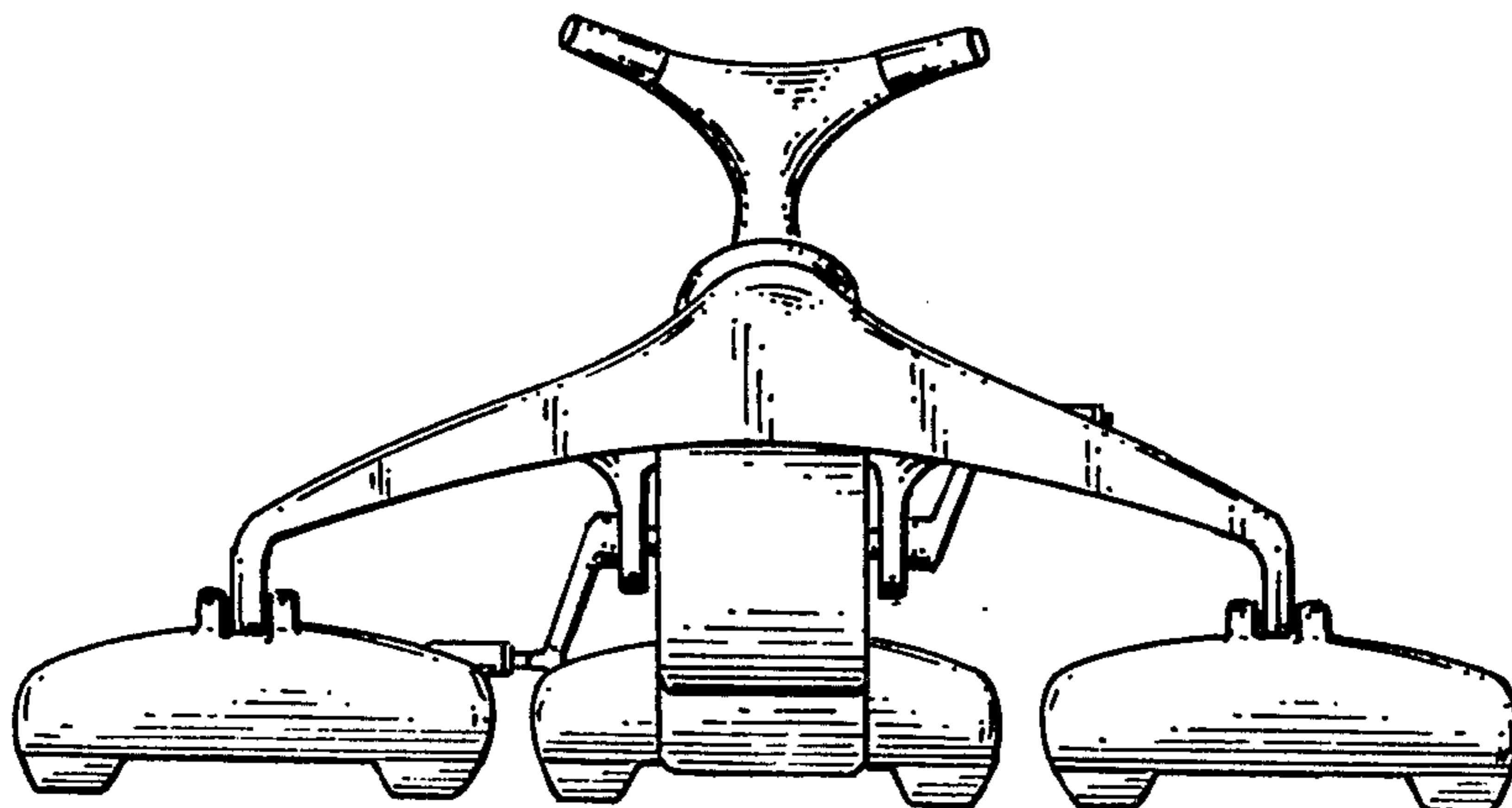


FIG. 6