

[54] **CABLE CLAMP**

[76] **Inventor: Per Ericsson, Hagavägen 9, S-778 00
Norberg, Sweden**

[**] **Term: 14 Years**

[21] **Appl. No.: 440,692**

[22] **Filed: Nov. 10, 1982**

[30] **Foreign Application Priority Data**

Jun. 8, 1982 [NO] Norway 63004
[52] **U.S. Cl. D8/396**
[58] **Field of Search D8/382, 394, 395, 396;
248/65, 68.1, 74.1, 74.3, 74.4; 285/420**

[56]

References Cited

U.S. PATENT DOCUMENTS

D. 250,089 10/1978 Legerius D8/396
2,570,957 10/1951 Lee D8/396
2,681,196 6/1954 Lind D8/396

FOREIGN PATENT DOCUMENTS

1202582 10/1965 Fed. Rep. of Germany 248/74.1
2099905 12/1982 United Kingdom 248/74.1

Primary Examiner—B. J. Bullock
Attorney, Agent, or Firm—Sughrue, Mion, Zinn,
Macpeak and Seas

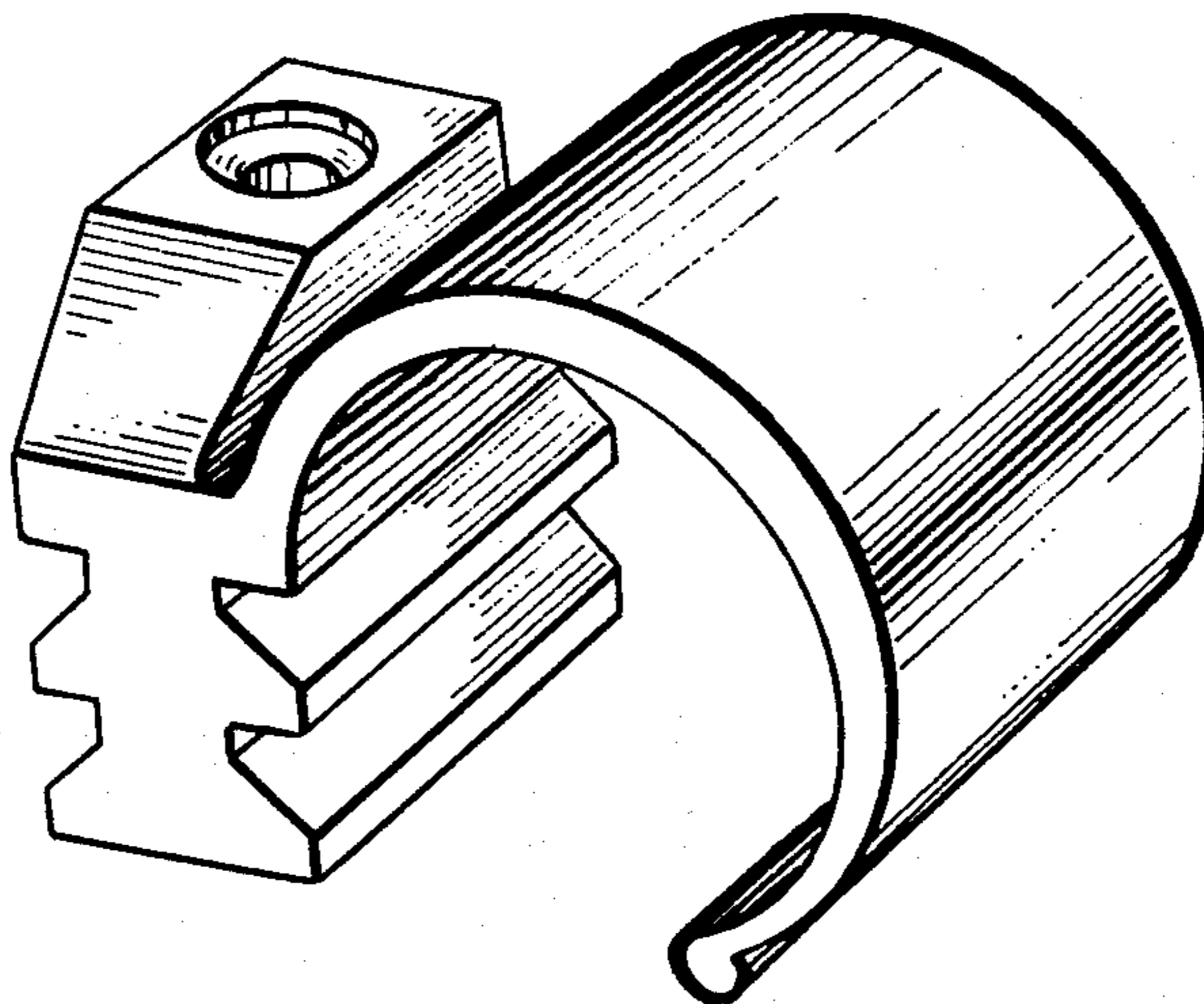
[57]

CLAIM

The ornamental design for a cable clamp, as shown.

DESCRIPTION

FIG. 1 is a perspective view of a cable clamp showing
my new design.
FIG. 2 is an inverted perspective view thereof.



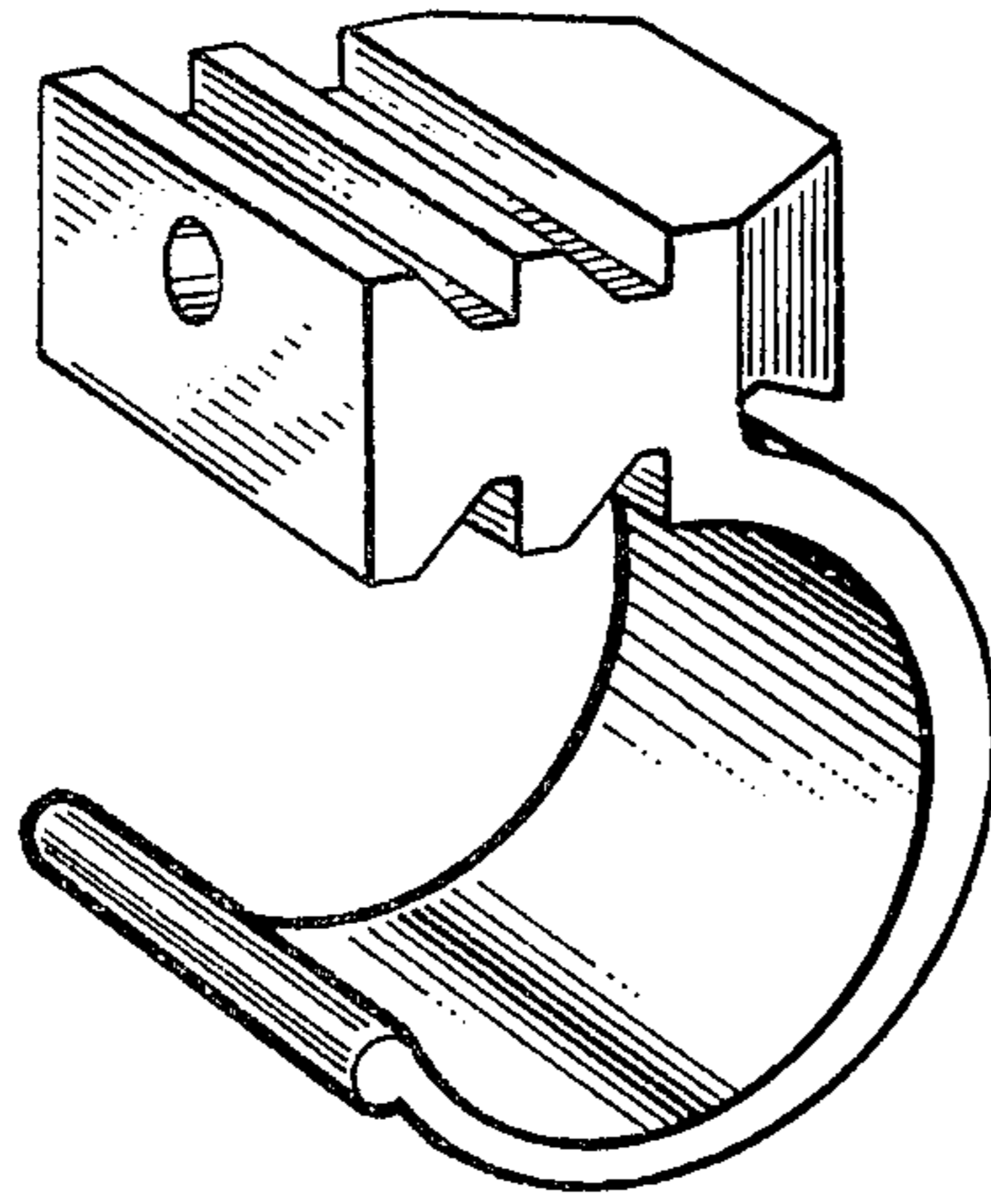


FIG. 2

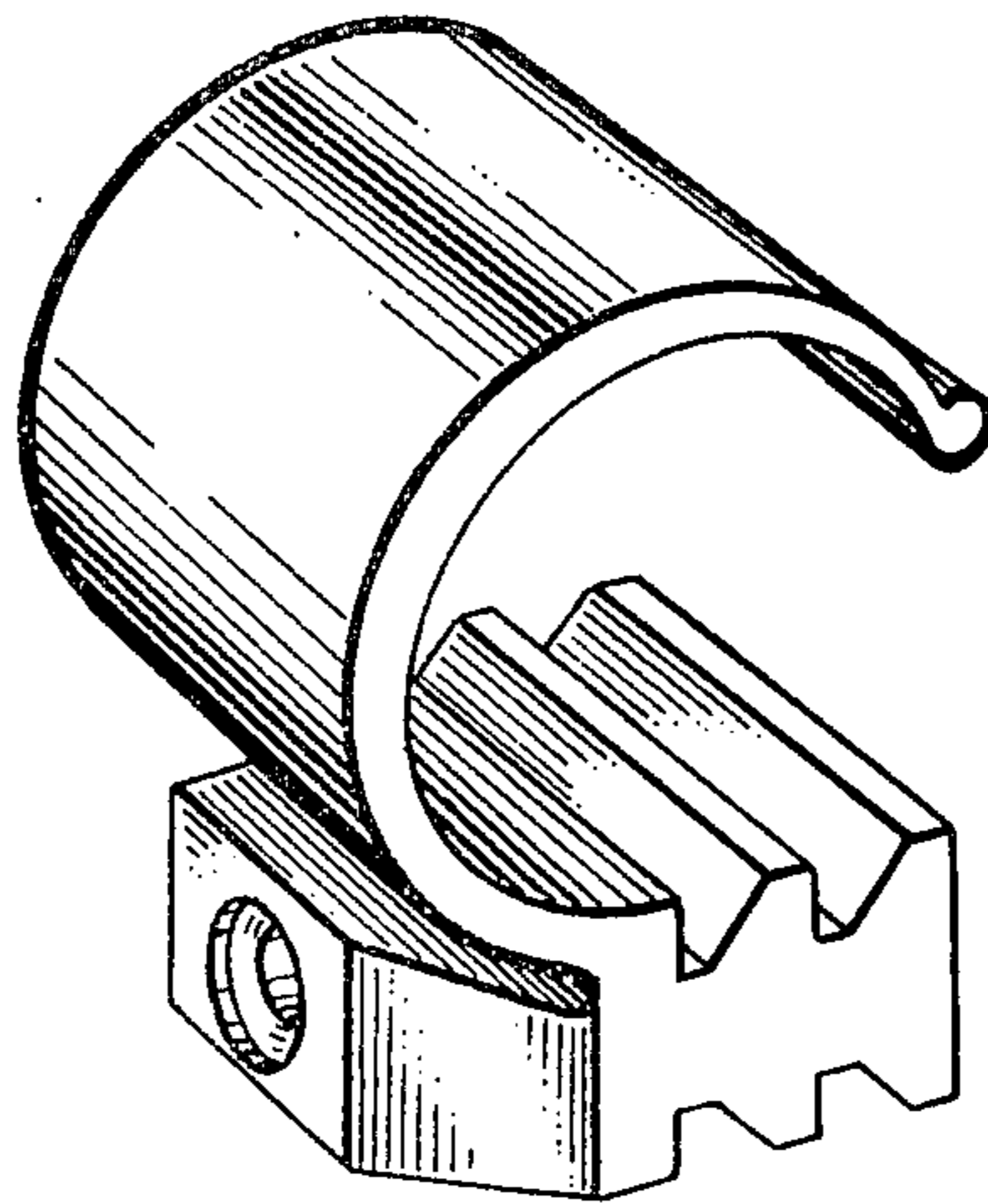


FIG. 1