

# United States Patent [19]

Hayes et al.

[11] Patent Number: **Des. 276,129**

[45] Date of Patent: **\*\* Oct. 30, 1984**

[54] **HAND FILE**

[75] Inventors: **Robert R. Hayes, Euclid; George H. Frost, Kent, both of Ohio**

[73] Assignee: **Oatey Co., Cleveland, Ohio**

[\*\*] Term: **14 Years**

[21] Appl. No.: **293,004**

[22] Filed: **Aug. 14, 1981**

[52] U.S. Cl. .... **D8/90**

[58] Field of Search ..... **D8/90, 101; 29/78, 79, 29/80; 51/392, 390**

[56] **References Cited**

### U.S. PATENT DOCUMENTS

D. 145,962 11/1946 Zagumny ..... D8/101  
4,178,663 12/1979 Hayes ..... 29/78

### OTHER PUBLICATIONS

Hardware Age, 3-1980, pp. 108-109, Stanley "Sur-form" ® hand file.

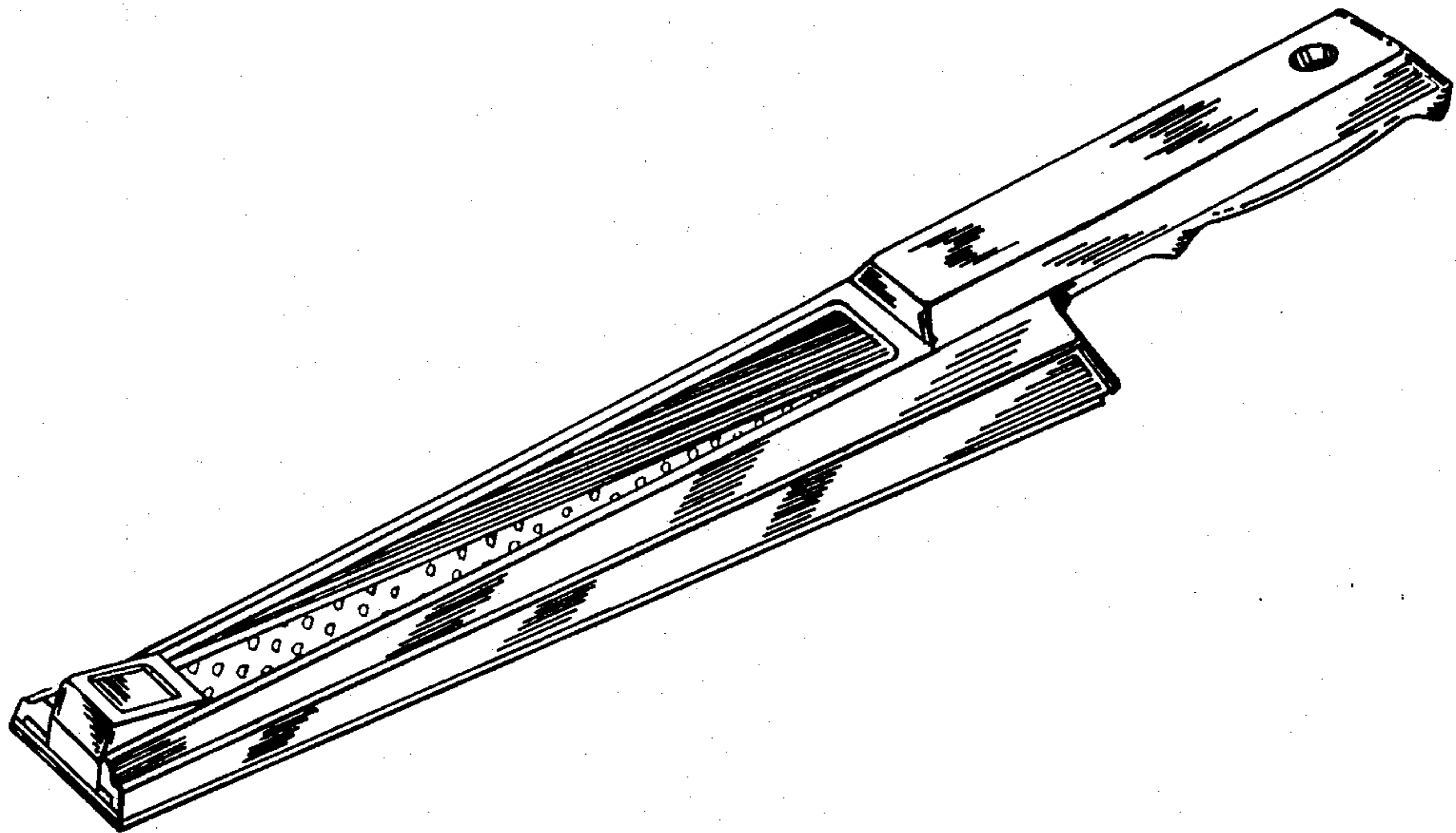
*Primary Examiner*—Susan J. Lucas  
*Attorney, Agent, or Firm*—Maky, Renner, Otto & Boisselle

[57] **CLAIM**

The ornamental design for a hand file, substantially as shown and described.

### DESCRIPTION

FIG. 1 is a perspective view of the hand file showing our new design taken from the top and one side, the other side being identical thereto;  
FIG. 2 is a top plan view thereof;  
FIG. 3 is a bottom plan view thereof, the cutting edges being partially shown for convenience of illustration;  
FIG. 4 is a front elevational view thereof; and  
FIG. 5 is a rear elevational view thereof.



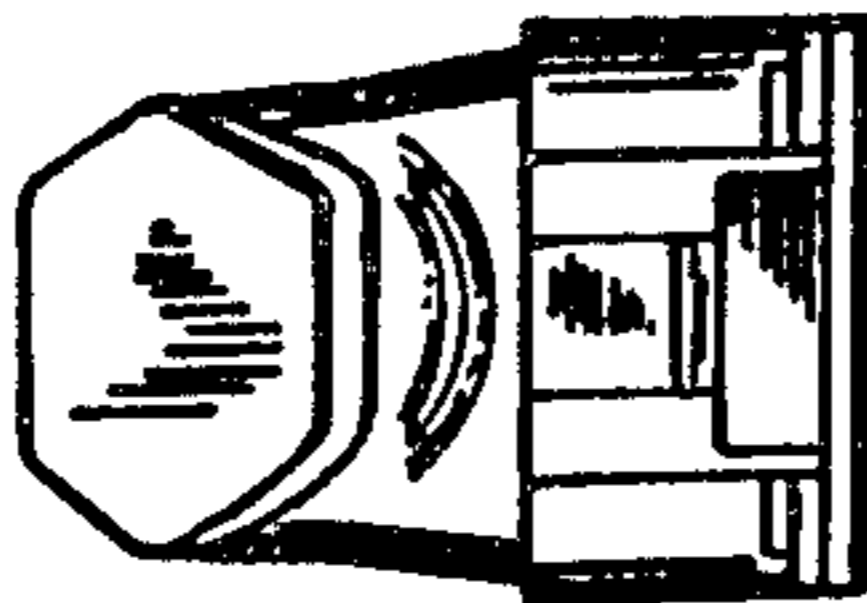


FIG. 5

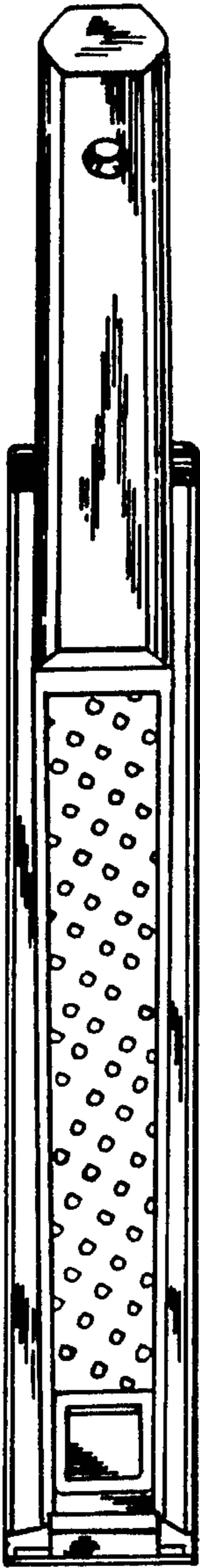


FIG. 2

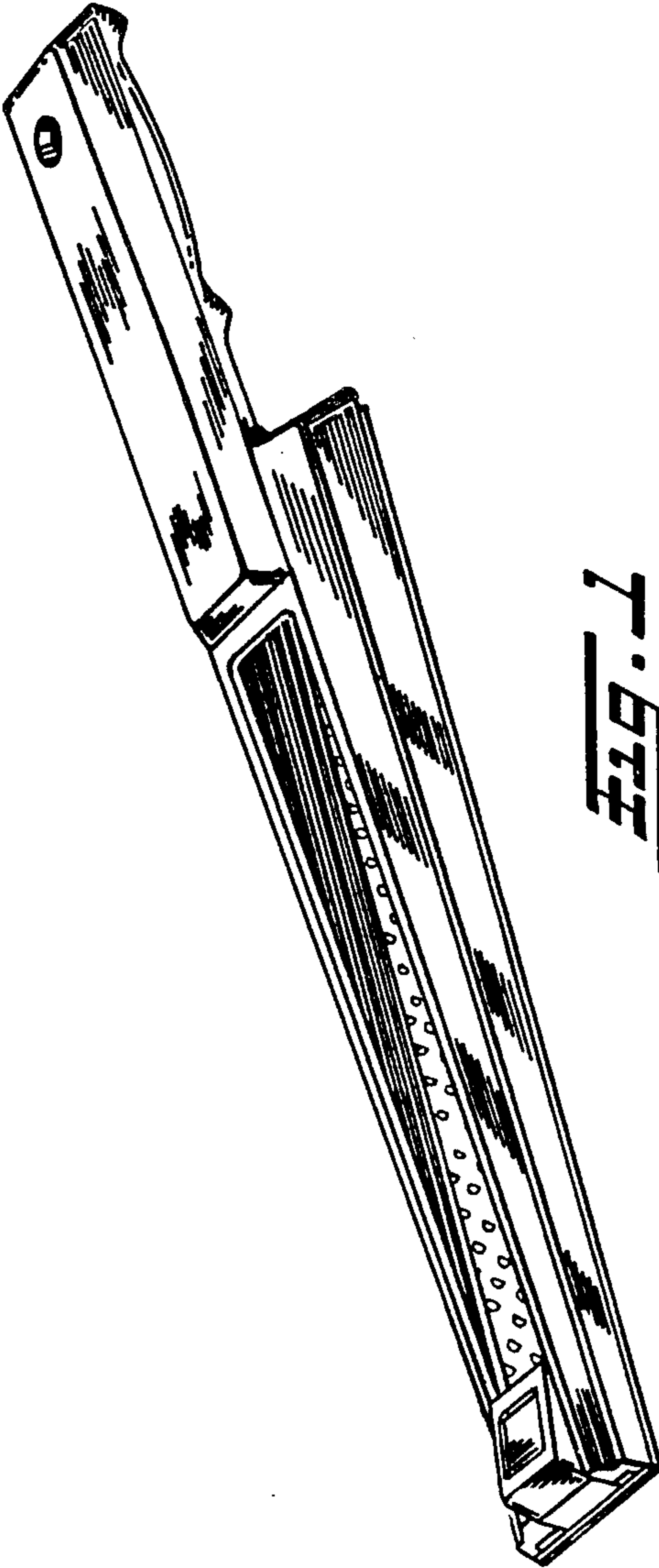


FIG. 1

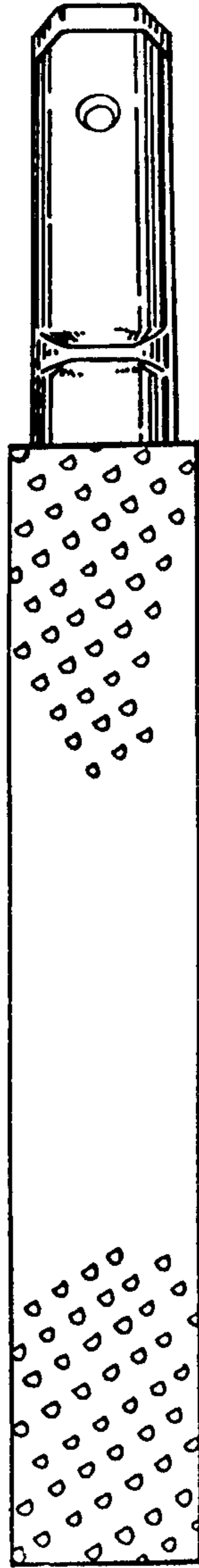


FIG. 3

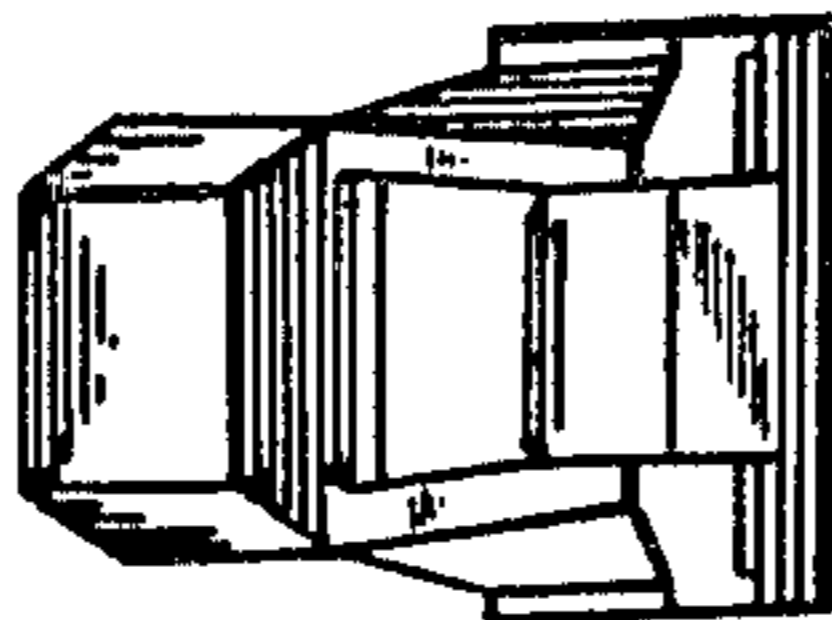


FIG. 4