

[54] **SCREWDRIVER**

[75] **Inventor: Peter Lee, Central, Hong Kong**

[73] **Assignee: Pioneer Hand Tools Industrial Co.,
Central, Hong Kong**

[**] **Term: 14 Years**

[21] **Appl. No.: 390,996**

[22] **Filed: Jun. 22, 1982**

[30] **Foreign Application Priority Data**

Apr. 1, 1982 [GB] United Kingdom 1005949
[52] **U.S. Cl. D8/84**
[58] **Field of Search D8/82, 83, 84, 85;
145/61 G, 61 L**

[56] **References Cited**

U.S. PATENT DOCUMENTS

D. 148,982 11/1945 Bloomfield D8/84
3,328,999 7/1967 Peterson et al. D8/83 X

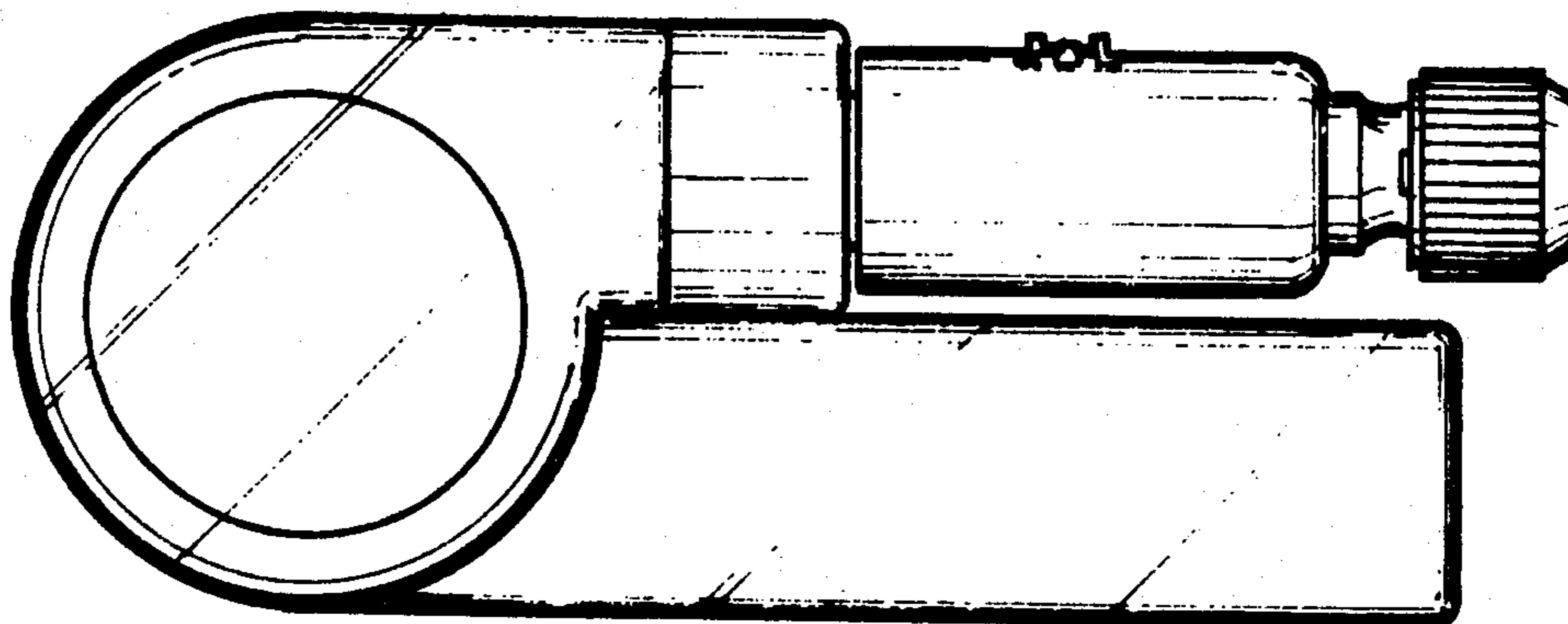
Primary Examiner—Alan P. Douglas
Attorney, Agent, or Firm—J. David Dainow

[57] **CLAIM**

The ornamental design for a screwdriver, as shown and described.

DESCRIPTION

FIG. 1 is a side view of the article in normal position.
FIG. 2 is a side view of the article in using position.
FIG. 3 is a front view.
FIG. 4 is a rear view.
FIG. 5 is a top view.
FIG. 6 is a front perspective view from underneath and one side of the article with accessories in position and its sliding handle extended.
FIG. 7 is a rear perspective view from above and another side of the article.



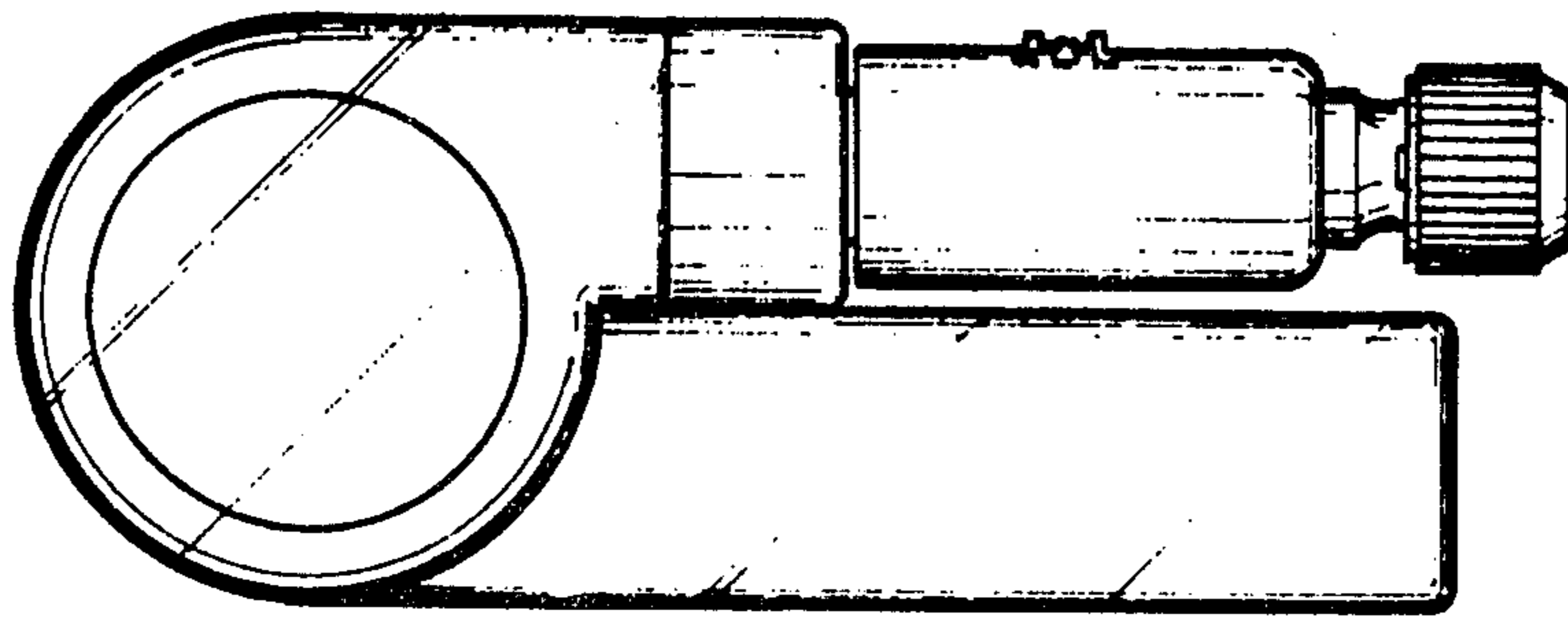


FIG. 1.

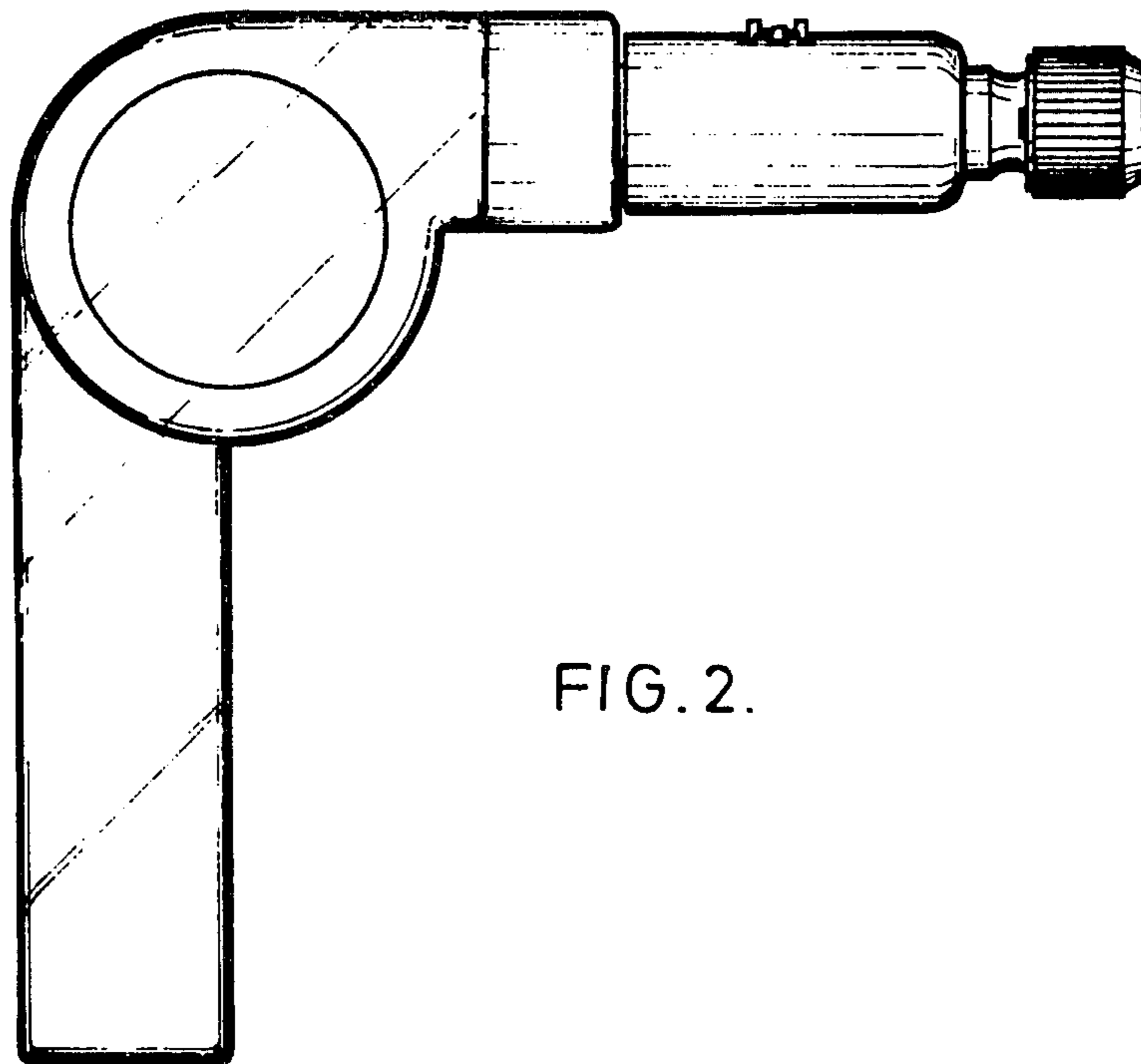


FIG. 2.

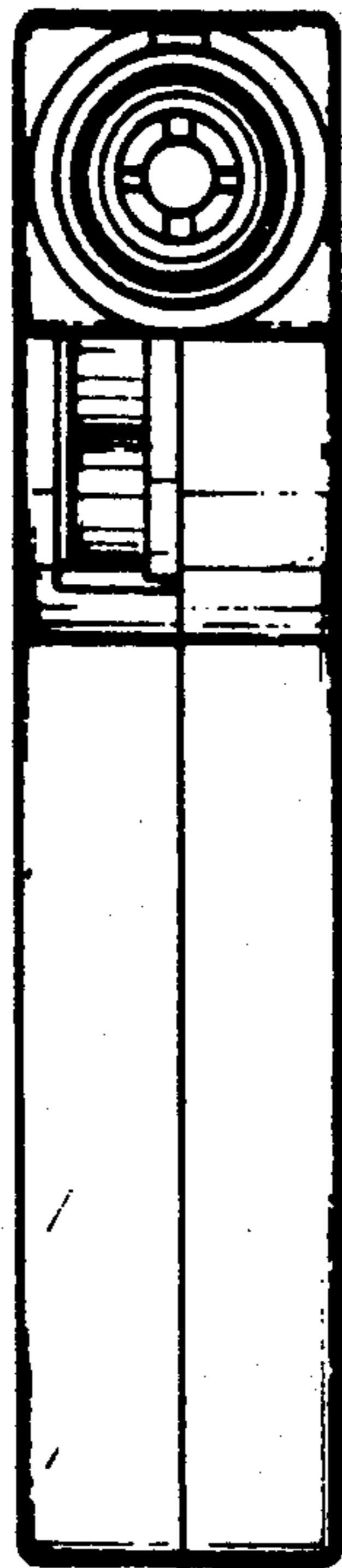


FIG. 3.

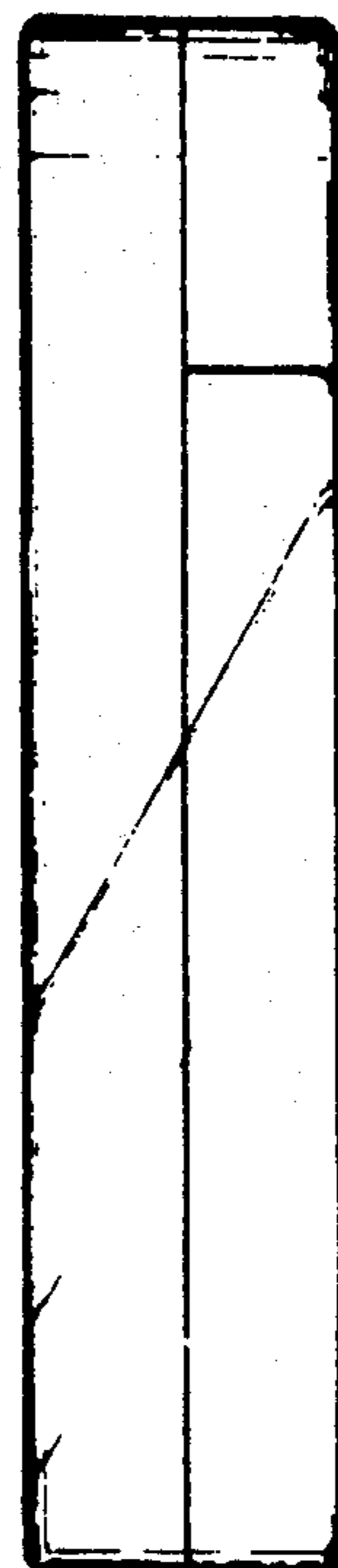
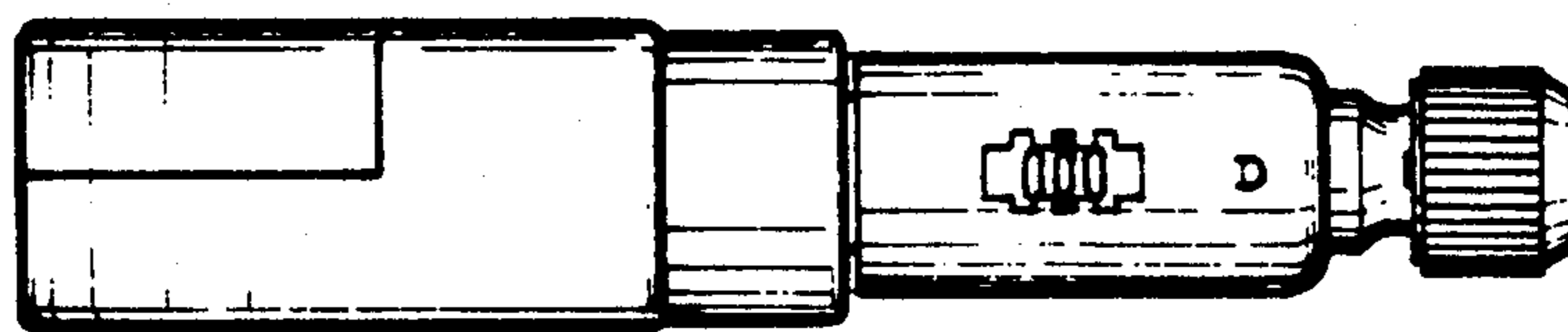


FIG. 4.

FIG. 5.



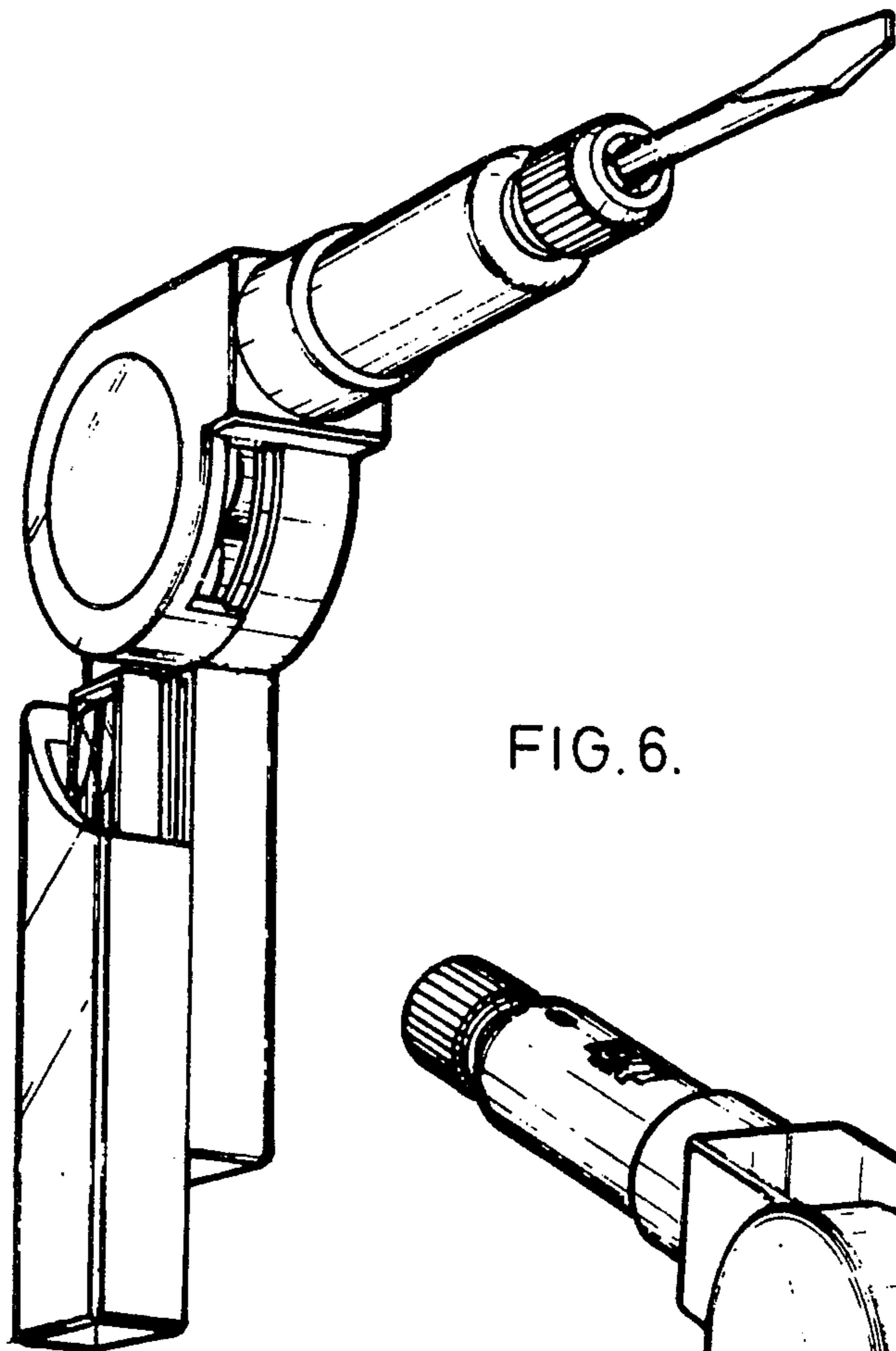


FIG. 6.

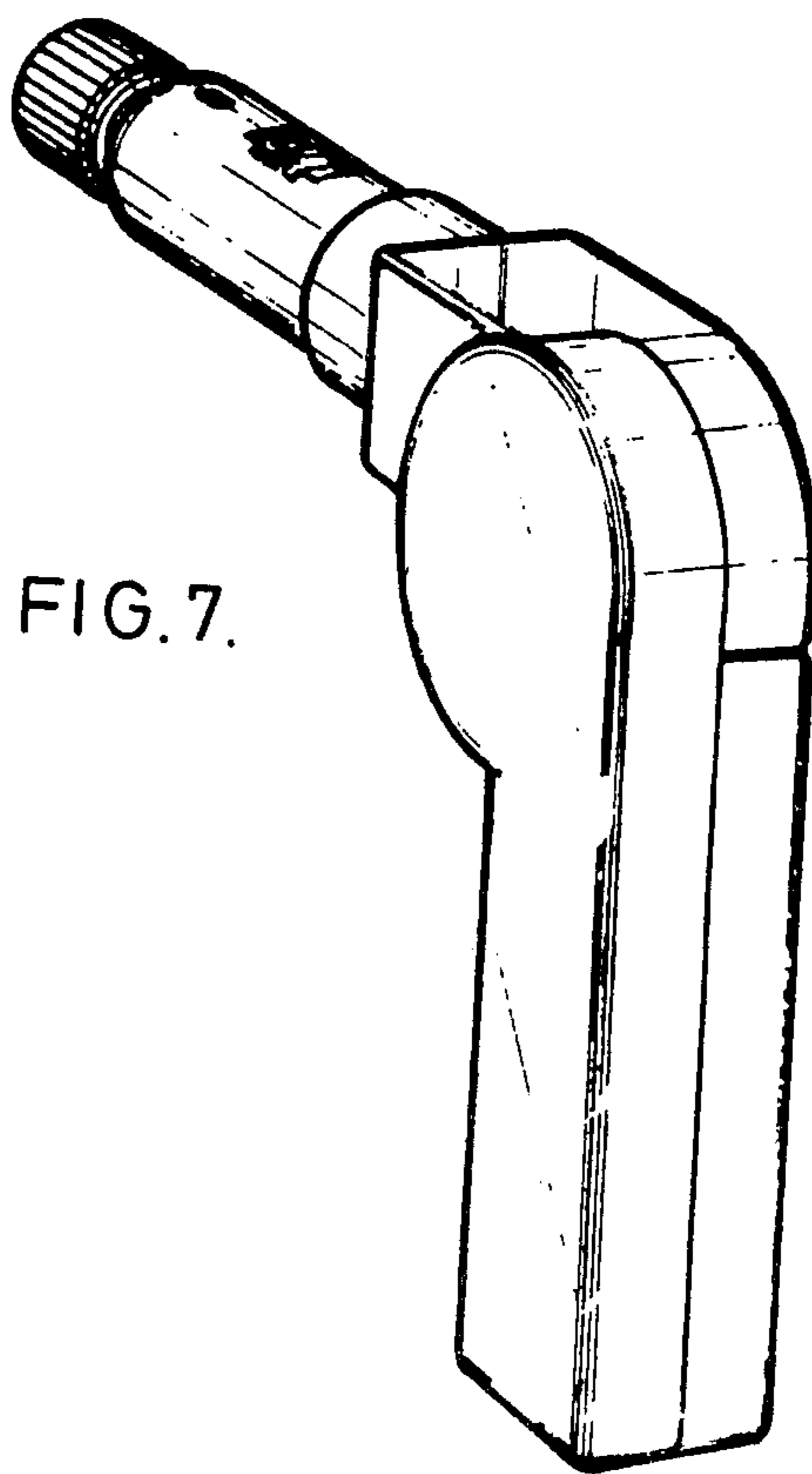


FIG. 7.

UNITED STATES PATENT AND TRADEMARK OFFICE
CERTIFICATE OF CORRECTION

PATENT NO. : Des. 276,128
DATED : October 30, 1984
INVENTOR(S) : Peter Lee

It is certified that error appears in the above-identified patent and that said Letters Patent are hereby corrected as shown below:

On cover sheet at [73] after "Assignee: Pioneer Hand Tools Industrial Co.," please add --Ltd.--

Signed and Sealed this

Twenty-third Day of April 1985

[SEAL]

Attest:

DONALD J. QUIGG

Attesting Officer

Acting Commissioner of Patents and Trademarks