

United States Patent [19]
Lee

[11] **Patent Number: Des. 276,127**

[45] **Date of Patent: ** Oct. 30, 1984**

[54] **COLLAPSIBLE SCREWDRIVER**

[75] **Inventor: Peter Lee, Central, Hong Kong**

[73] **Assignee: Pioneer Hand Tools Industrial Co.,
Central, Hong Kong**

[**] **Term: 14 Years**

[21] **Appl. No.: 390,973**

[22] **Filed: Jun. 22, 1982**

[30] **Foreign Application Priority Data**

Apr. 6, 1982 [GB] United Kingdom 1006031
[52] **U.S. Cl.** **D8/84**
[58] **Field of Search** **D8/82, 83, 84, 85;**
145/61 G, 61 L

[56] **References Cited**

U.S. PATENT DOCUMENTS

D. 142,982 11/1945 Bloomfield D8/84
3,328,999 7/1967 Peterson et al. D8/83 X

Primary Examiner—Alan P. Douglas
Attorney, Agent, or Firm—J. David Dainow

[57] **CLAIM**

The ornamental design for a collapsible screwdriver, as shown and described.

DESCRIPTION

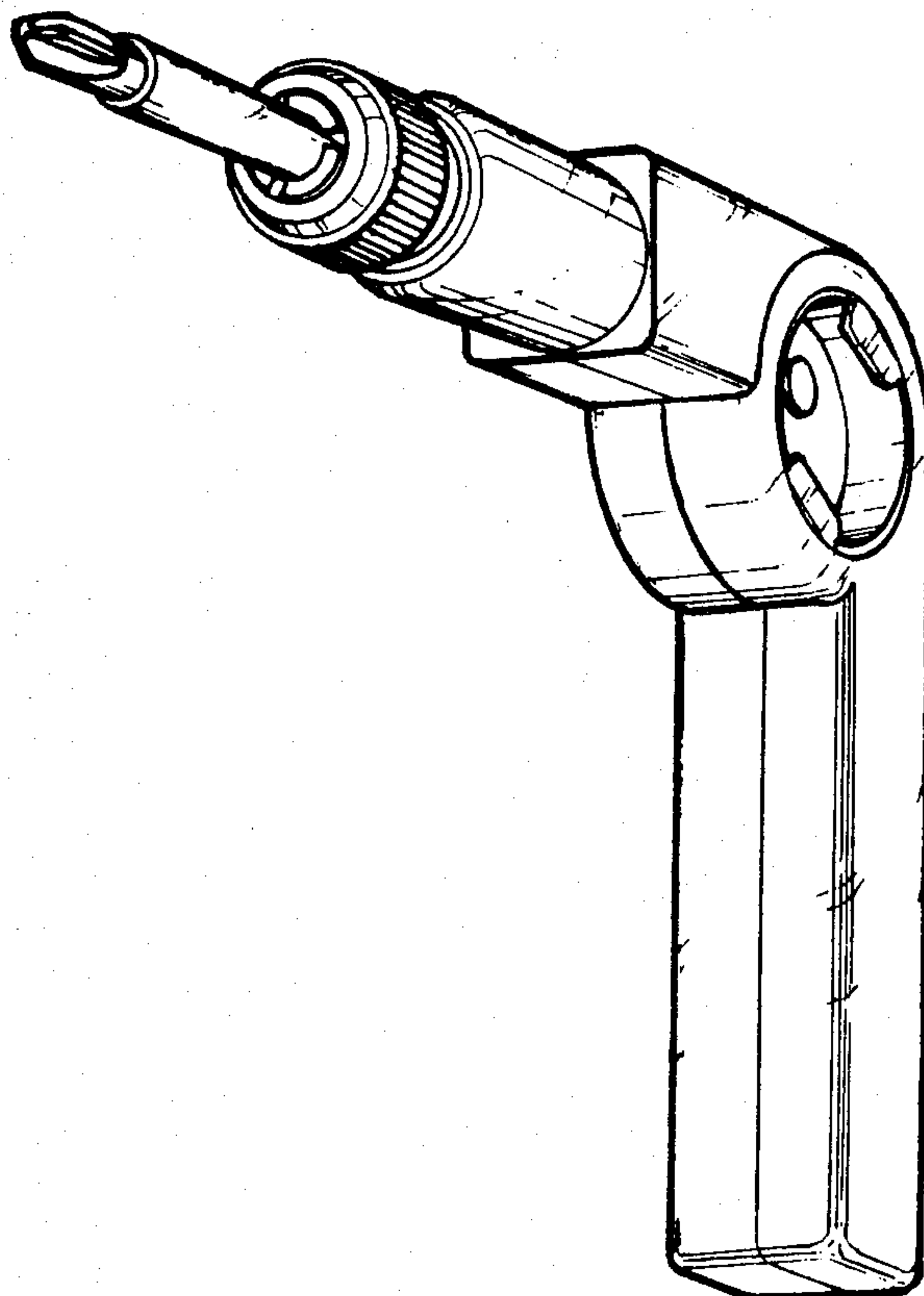
FIG. 1 is a side view.

FIG. 2 is a plan.

FIG. 3 is another side view (with the article in opening position).

FIG. 4 is a front perspective view from underneath and another side (with the article in opening position).

FIG. 5 is a rear perspective view from above and one side.



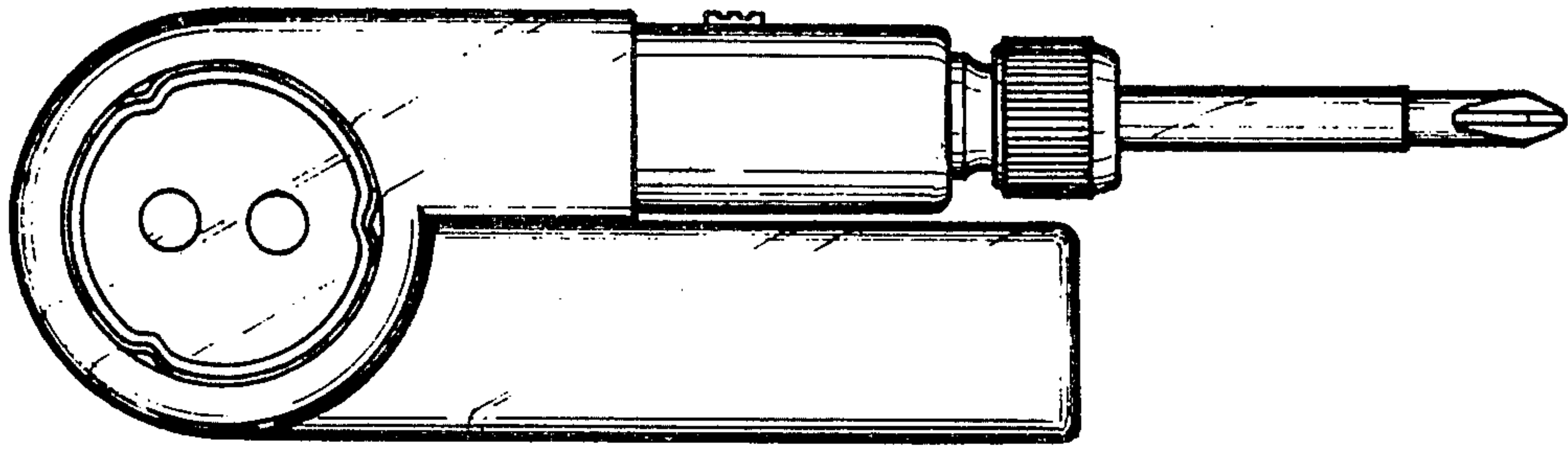


FIG. 1.

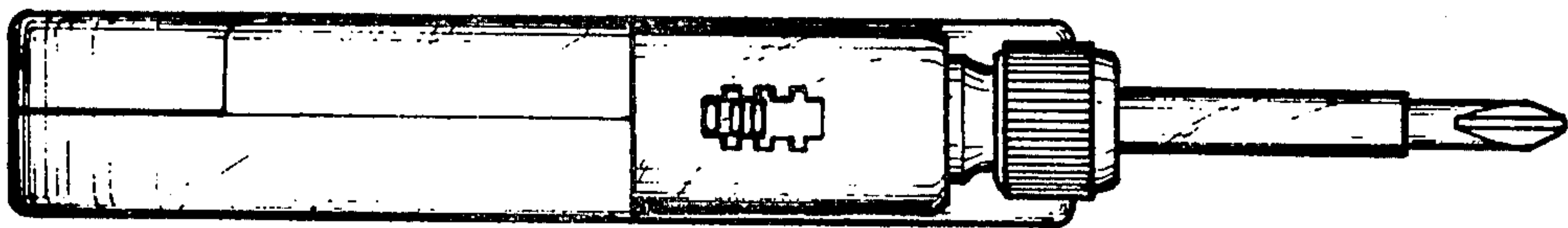


FIG. 2.

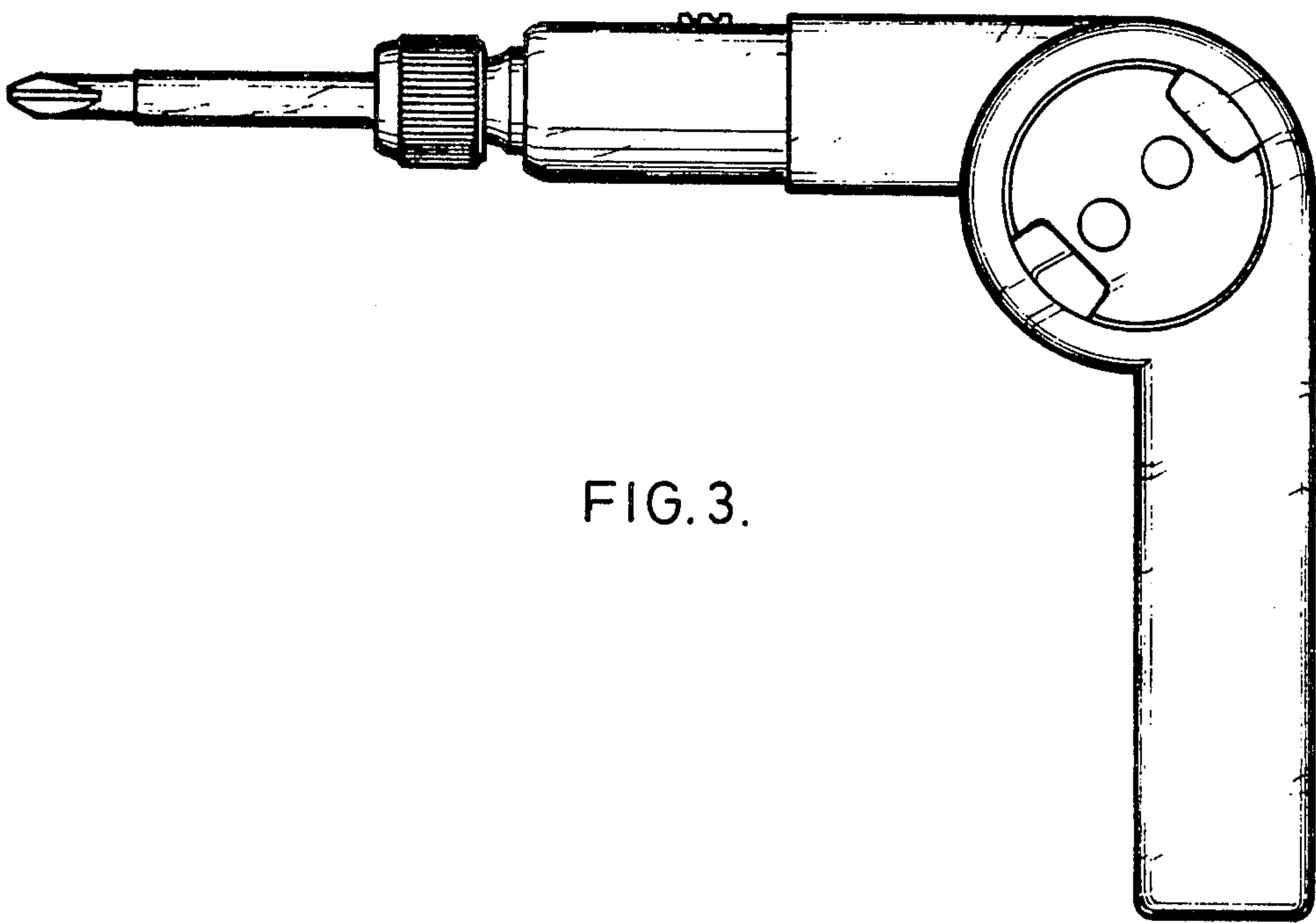


FIG. 3.

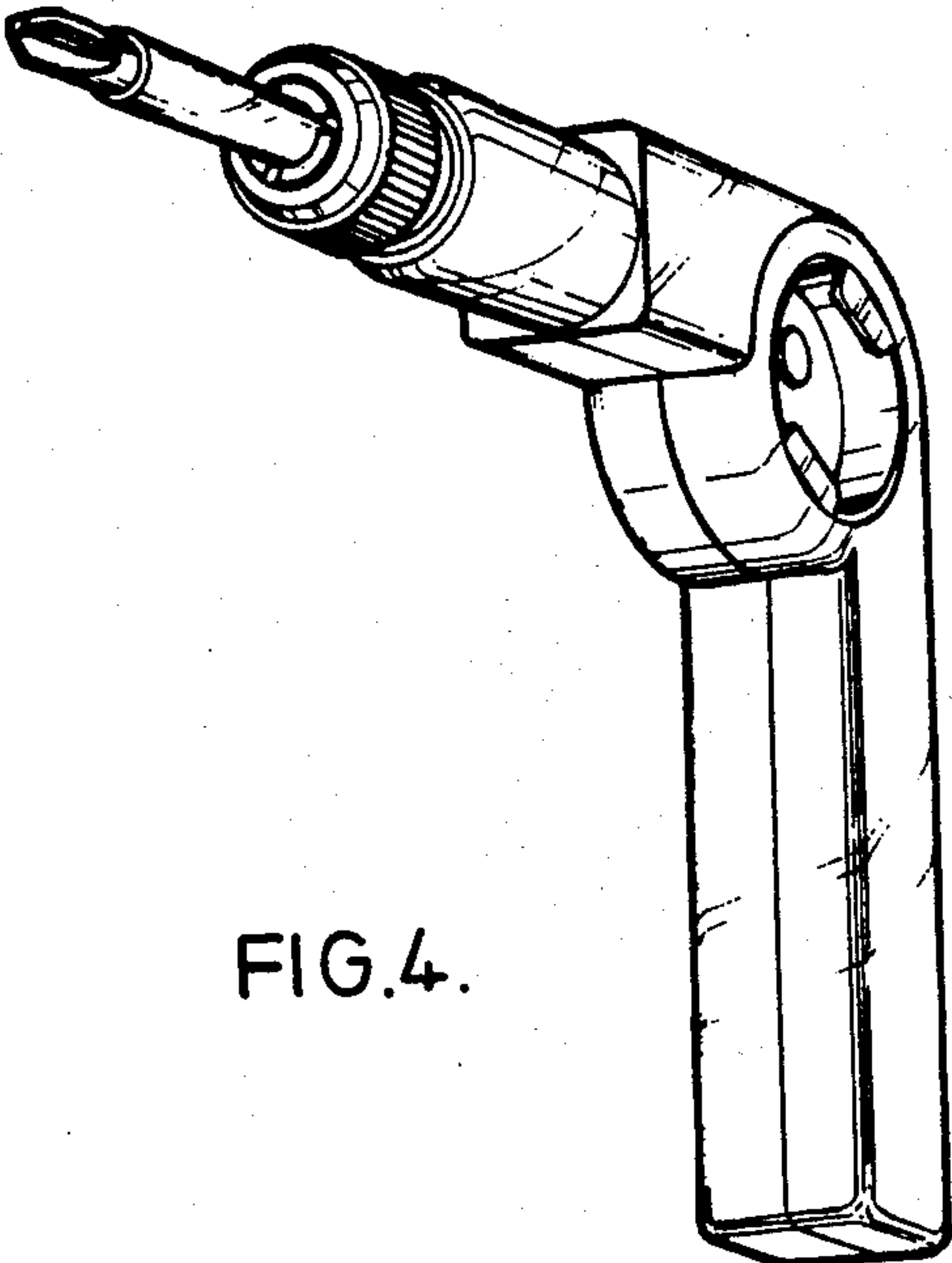


FIG.4.

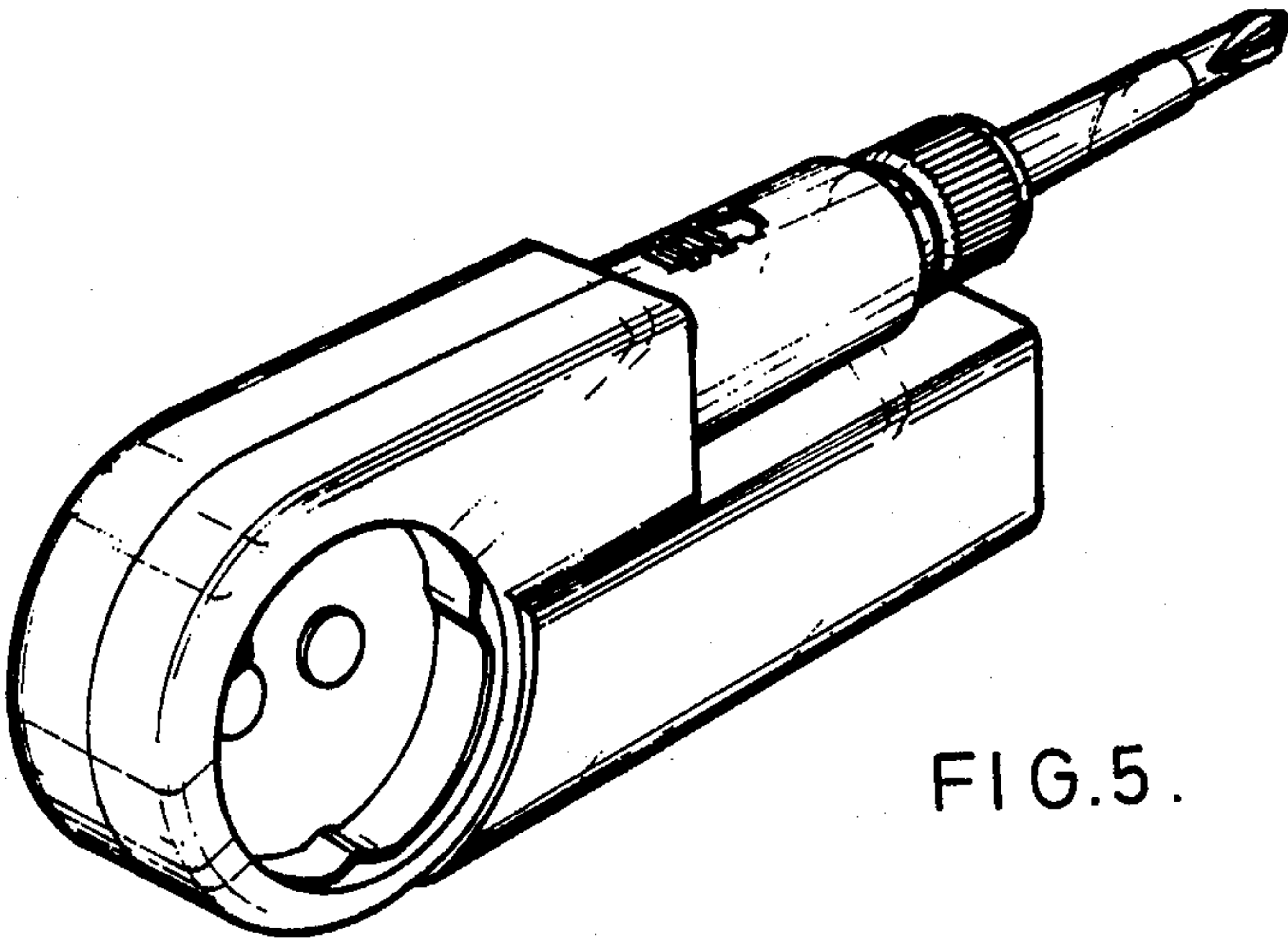


FIG.5.

UNITED STATES PATENT AND TRADEMARK OFFICE
CERTIFICATE OF CORRECTION

PATENT NO. : Des. 276,127
DATED : October 30, 1984
INVENTOR(☒) : Peter Lee

It is certified that error appears in the above-identified patent and that said Letters Patent are hereby corrected as shown below:

On cover sheet at [73] after "Assignee: Pioneer Hand Tools Industrial Co.," please add --Ltd.--

Signed and Sealed this

Thirtieth **Day of** *April 1985*

[SEAL]

Attest:

DONALD J. QUIGG

Attesting Officer

Acting Commissioner of Patents and Trademarks