

[54] **TOGGLE CLAMP**

[75] **Inventors: Ian B. Fraser, Codicote; David A. Whitbread, Flamstead, both of England**

[73] **Assignee: HMC-Brauer Limited**

[\*\*] **Term: 14 Years**

[21] **Appl. No.: 284,979**

[22] **Filed: Jul. 20, 1981**

[30] **Foreign Application Priority Data**

Mar. 11, 1981 [GB] United Kingdom ..... 999355

[52] **U.S. Cl. .... D8/72; D8/394**

[58] **Field of Search ..... D8/72, 382, 394, 395; 269/201, 228**

[56] **References Cited**

**U.S. PATENT DOCUMENTS**

2,408,586 10/1946 Spievak ..... 269/228

3,149,832 9/1964 McPherson ..... 269/228

**OTHER PUBLICATIONS**

American Amer-A-Clamp brochure, sole page, clamp (right, second from top).

De-Sta-Co Cat. 80-A, p. 20, clamp 301-SS (right, third from top).

Wespo Toggle Clamp Cat. 5, p. 2, clamp 603.

*Primary Examiner*—B. J. Bullock

*Attorney, Agent, or Firm*—Scrivener, Clarke, Scrivener and Johnson

[57] **CLAIM**

The ornamental design for a toggle clamp, as shown and described.

**DESCRIPTION**

FIG. 1 is a top plan view of a toggle clamp embodying our new design,

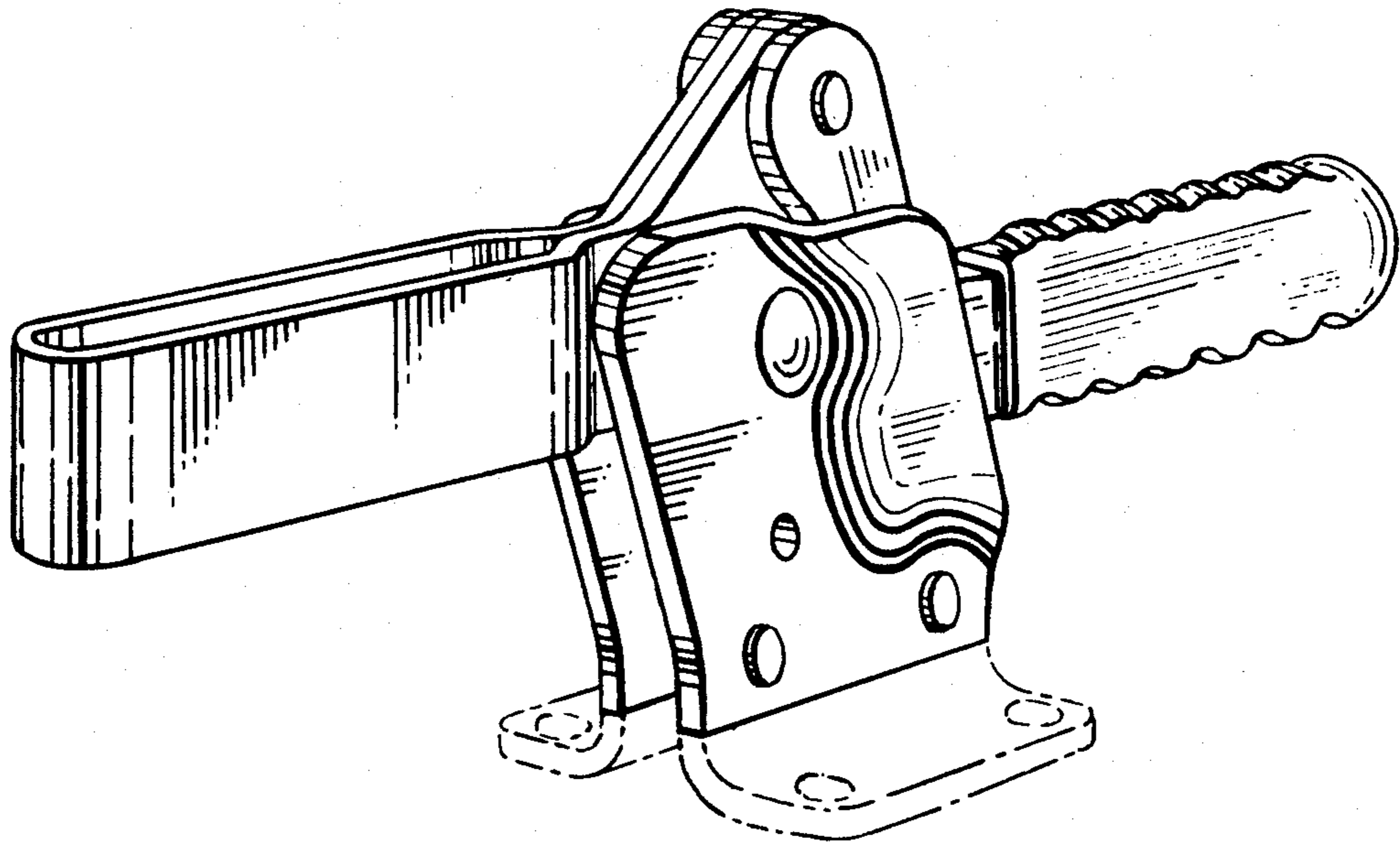
FIG. 2 is a side elevational view taken from the bottom of FIG. 1 the side opposite being a mirror image thereof,

FIG. 3 is a front elevational view thereof,

FIG. 4 is a rear elevational view thereof, and

FIG. 5 is a perspective view thereof.

The broken line showing of the flange in all views is for illustrative purposes only.



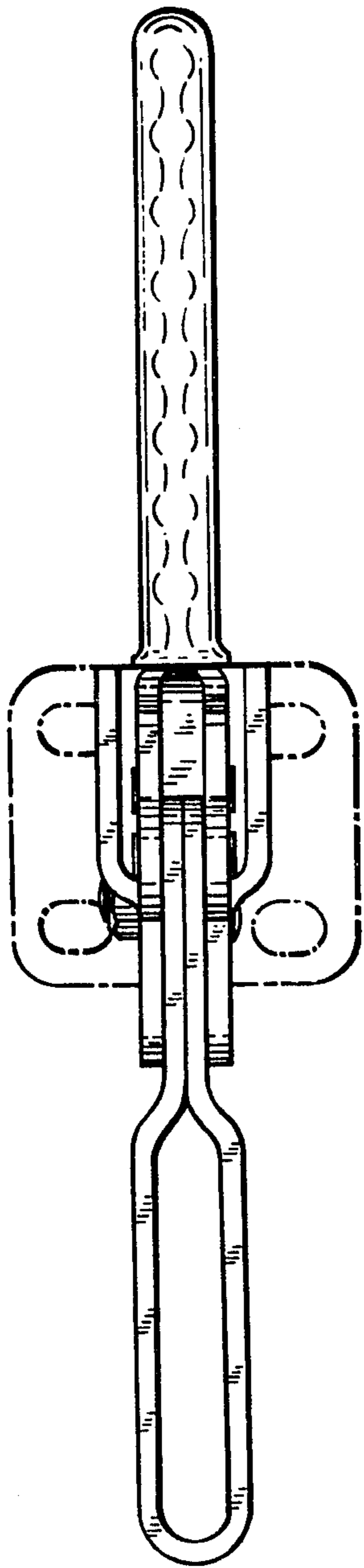


FIG. 1

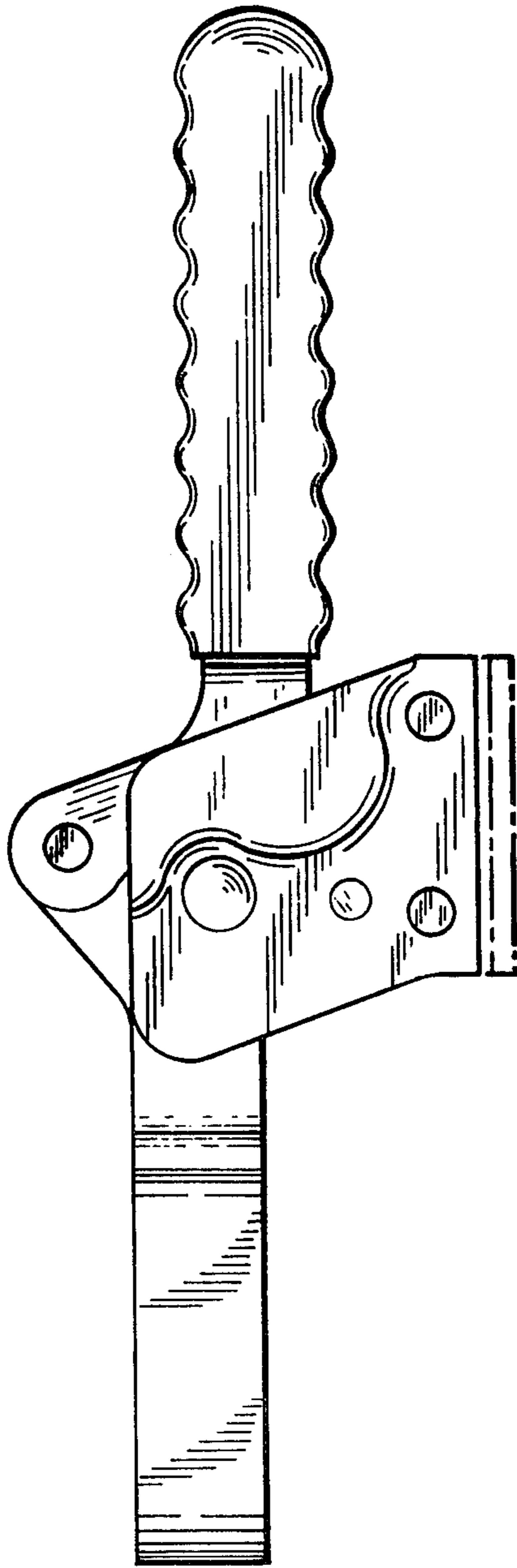


FIG. 2.

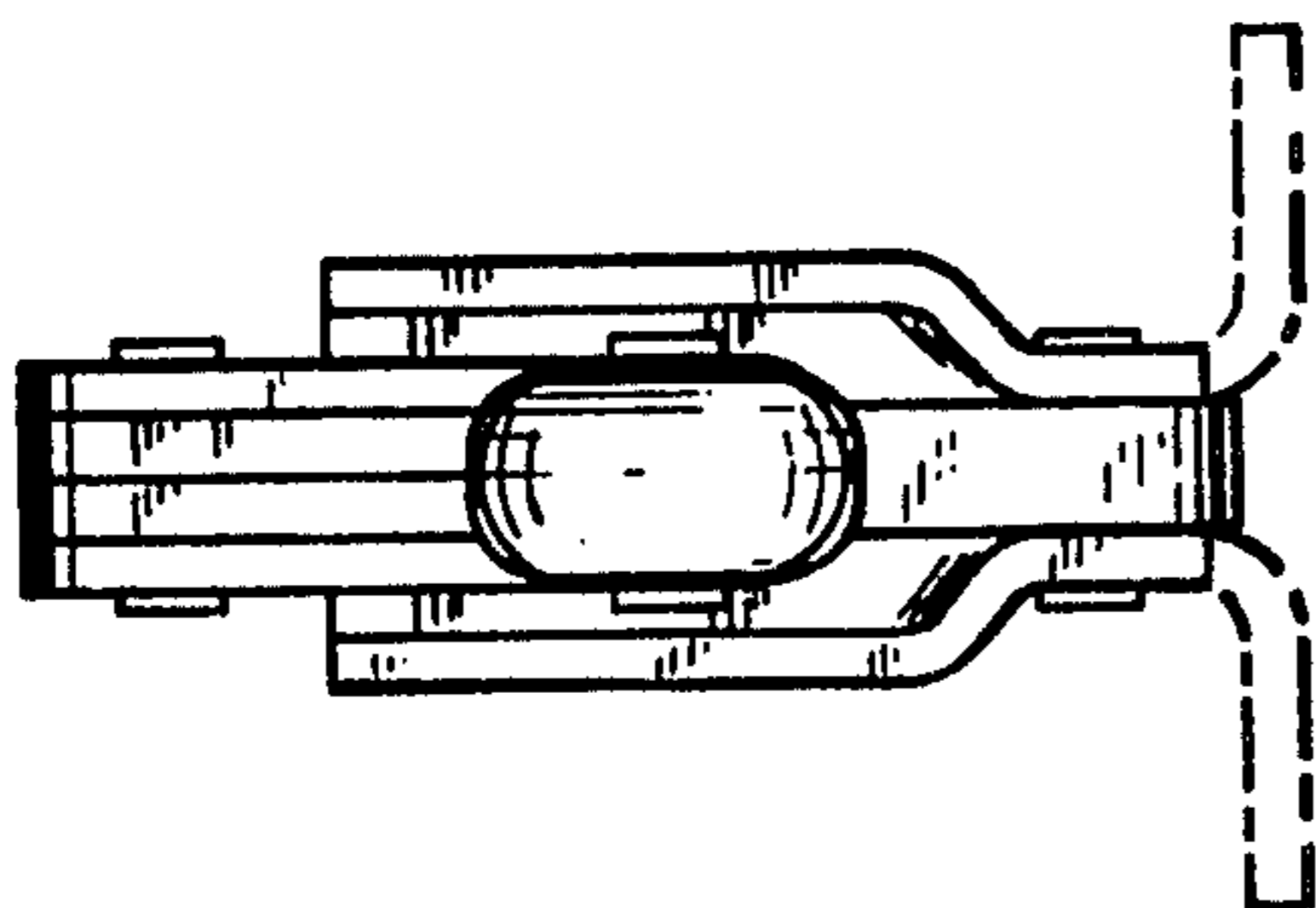


FIG. 4.

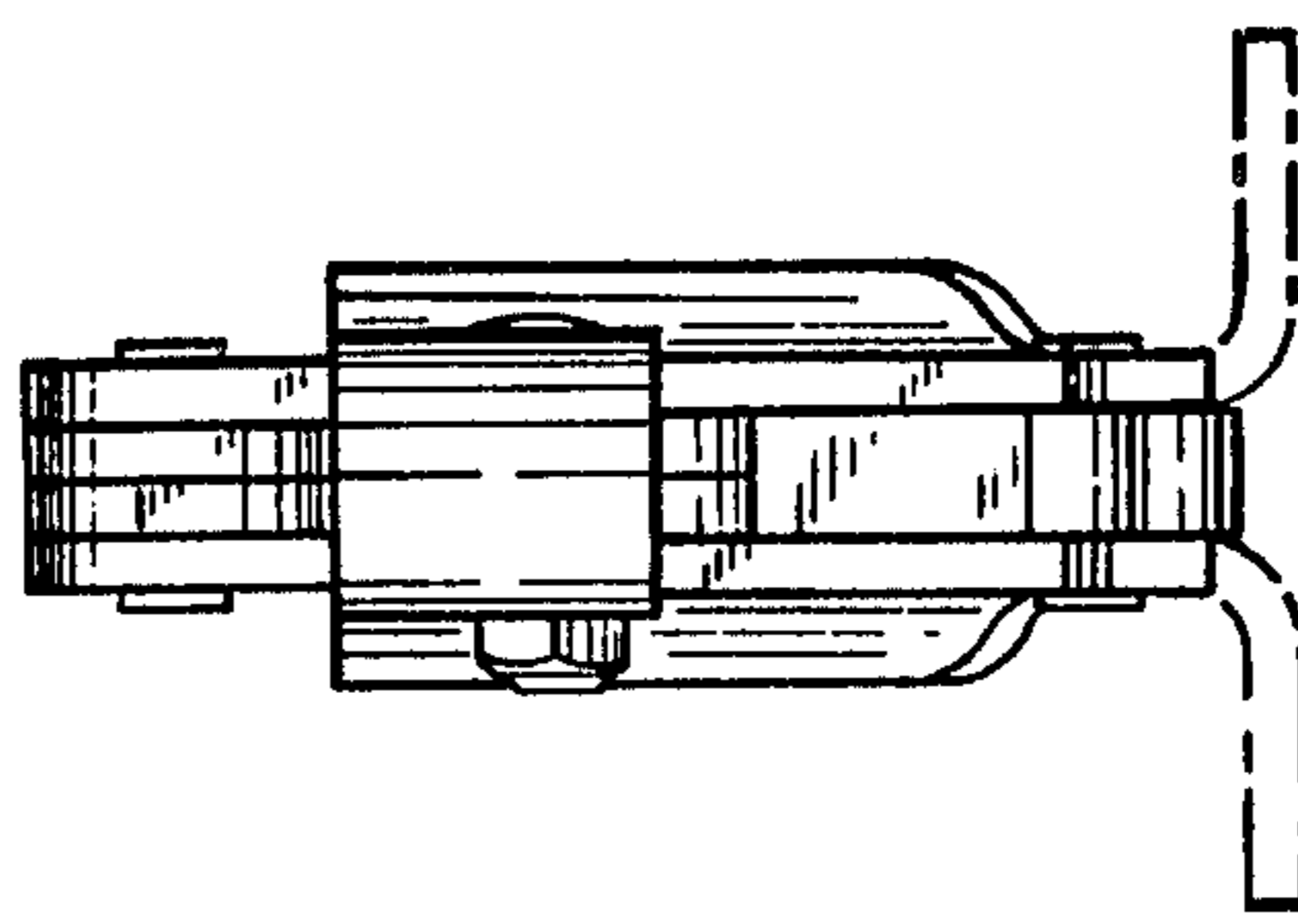


FIG. 3

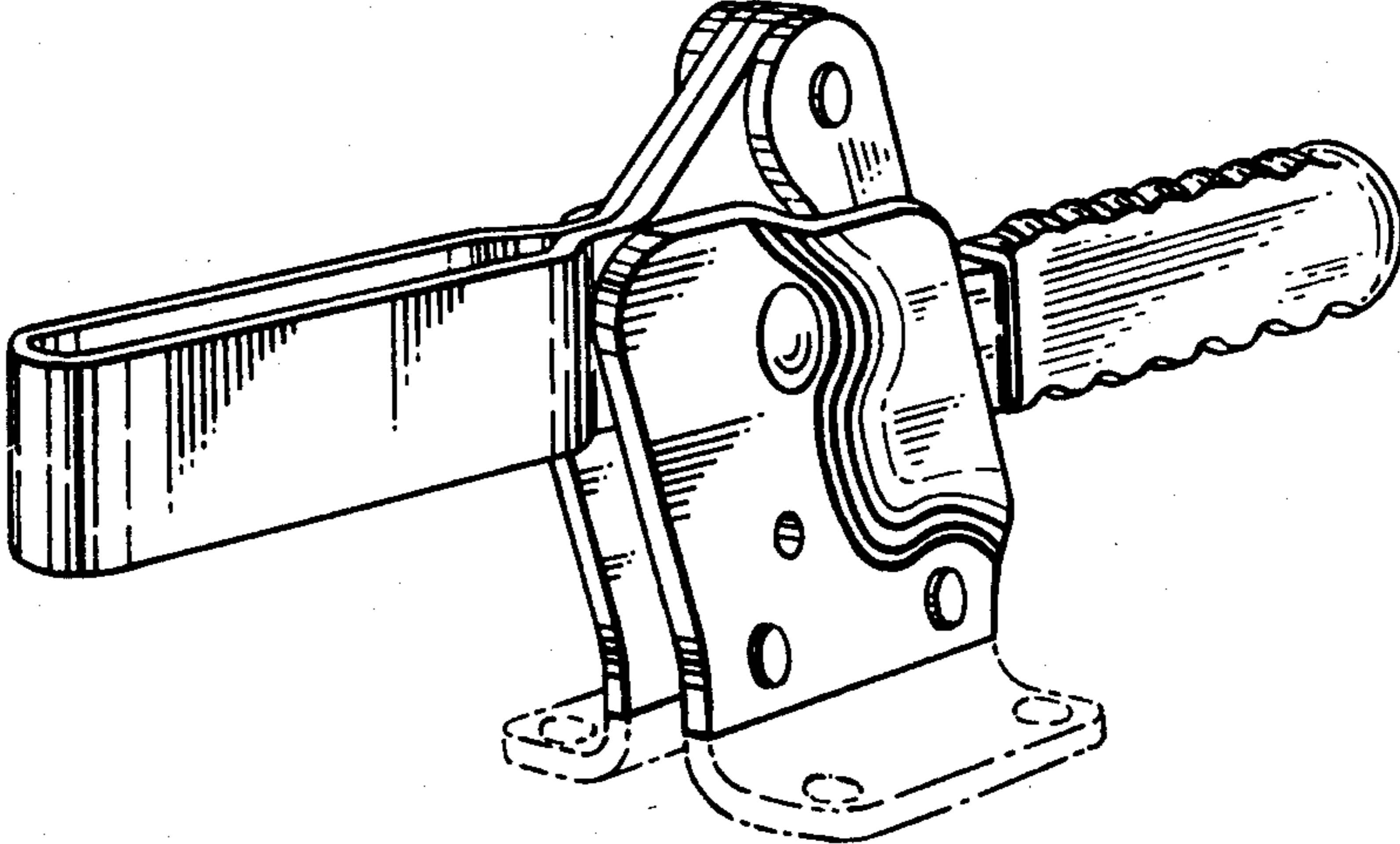


FIG. 5.