

United States Patent [19]

Liu

[11] Patent Number: **Des. 276,124**

[45] Date of Patent: **** Oct. 30, 1984**

[54] **MULTI-USE HANDLE TOOL**

[76] Inventor: **Chin-Lang Liu, 13-1, Lane 5, Shu-I, Taichung, Taiwan, 400, Taiwan**

[**] Term: **14 Years**

[21] Appl. No.: **390,672**

[22] Filed: **Jun. 21, 1982**

[52] U.S. Cl. **D8/22; D8/17**

[58] Field of Search **D8/17, 22, 23, 25, 26, D8/27, 28, 105; 7/138**

[56] **References Cited**

U.S. PATENT DOCUMENTS

D. 46,424 9/1914 Berry D8/22

D. 174,896 6/1955 Carter D8/17
D. 203,356 12/1965 Roberts et al. D8/17
2,148,573 2/1939 Mulcay 7/138 X

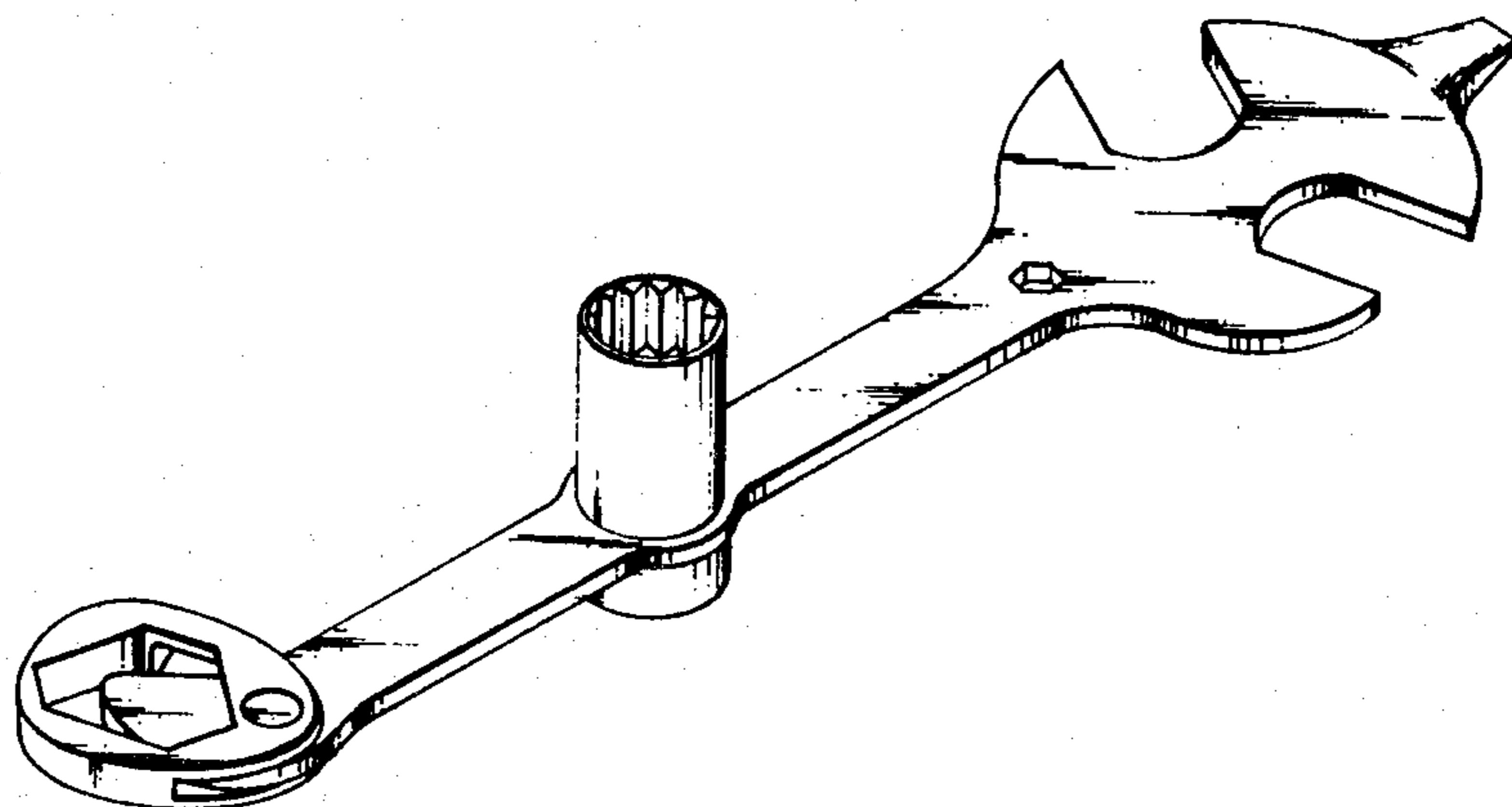
Primary Examiner—Alan P. Douglas
Attorney, Agent, or Firm—Robert E. Burns; Emmanuel J. Lobato; Bruce L. Adams

[57] **CLAIM**

The ornamental design for a multi-use handle tool, as shown.

DESCRIPTION

FIG. 1 is a perspective view of a multi-use handle tool showing my new design;
FIG. 2 is a front elevation thereof; and
FIG. 3 is a top plan view thereof.



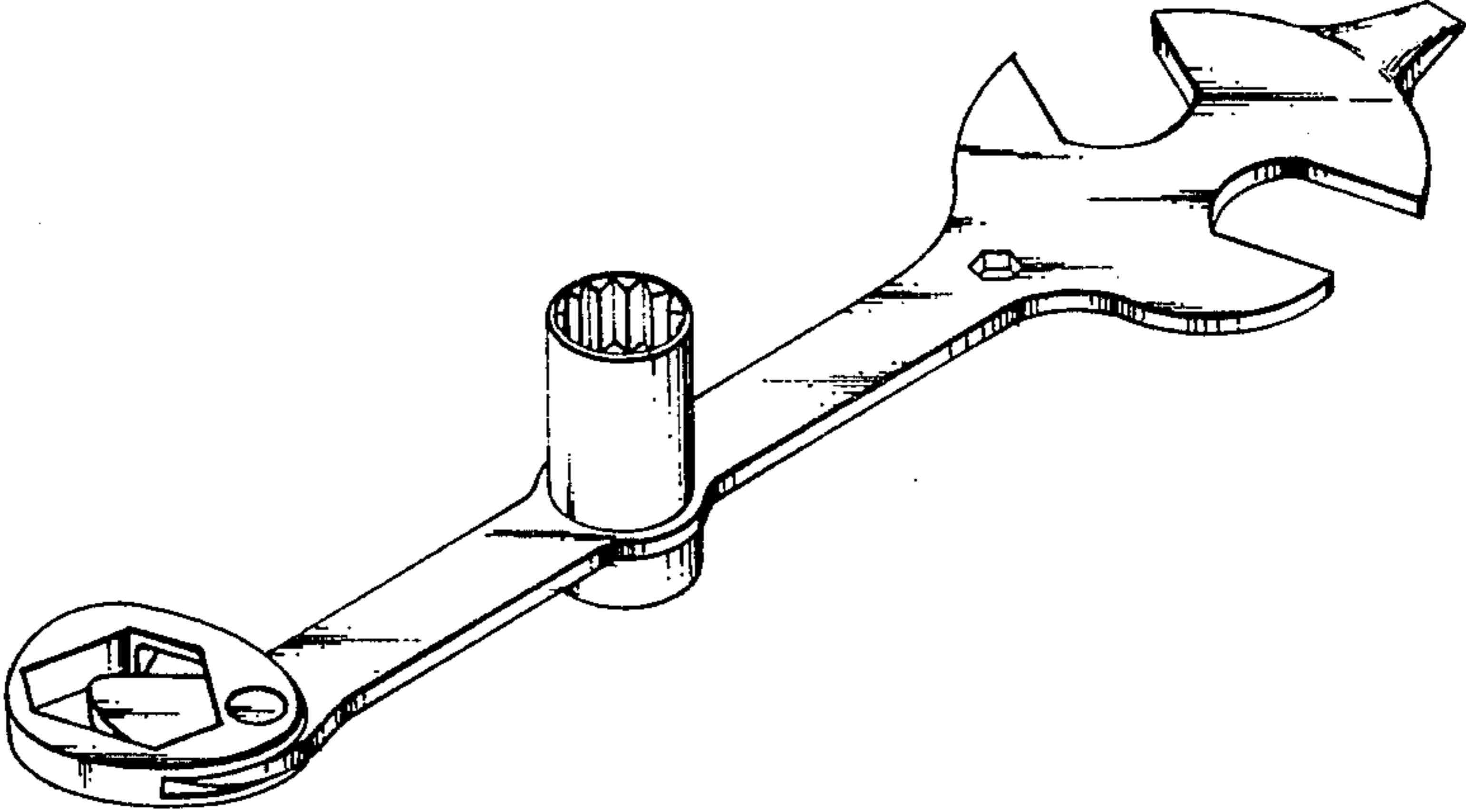


Fig. 1

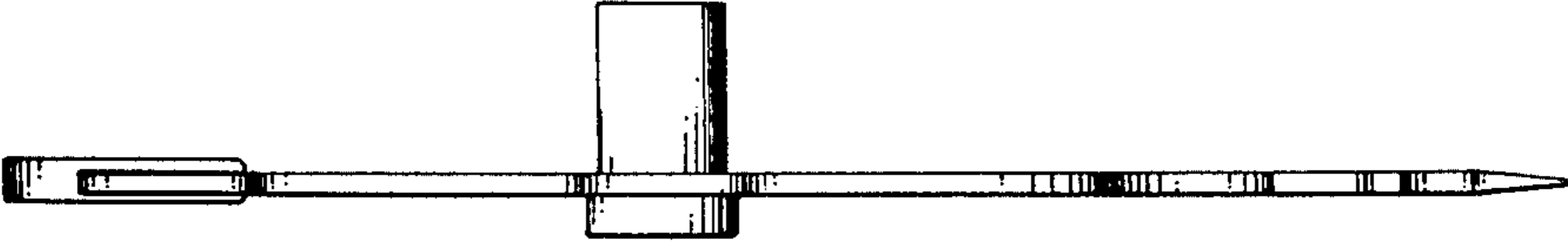


Fig. 2

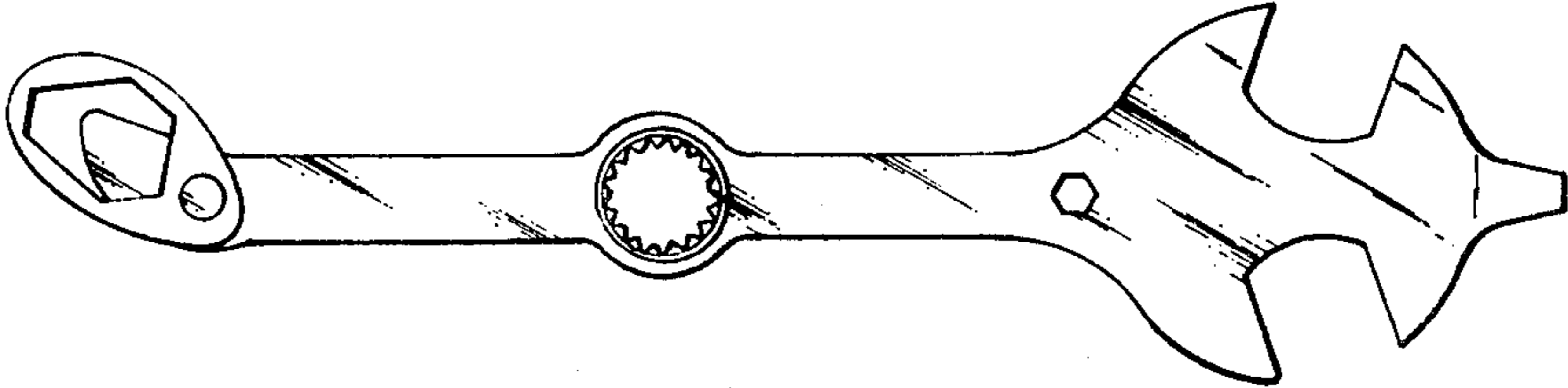


Fig. 3