

[54] **KETTLE**
[75] **Inventor: Harry Solomon, St. Laurent, Canada**
[73] **Assignee: Toastess Inc., Pointe Claire, Canada**
[**] **Term: 14 Years**
[21] **Appl. No.: 366,007**
[22] **Filed: Apr. 6, 1982**
[30] **Foreign Application Priority Data**
Jan. 29, 1982 [CA] Canada 29-01-82-5
[52] **U.S. Cl. D7/312**
[58] **Field of Search D7/300, 301, 302, 303,
D7/312, 314, 316, 317, 318, 319, 320, 321, 322**

[56] **References Cited**
U.S. PATENT DOCUMENTS
D. 146,999 6/1947 Wemyss D7/321
D. 211,273 6/1968 Waller D7/312
D. 217,179 4/1970 Rakocy D7/318
D. 237,934 12/1975 Fairthorne D7/319
3,484,563 11/1974 Brown D7/312 X

4,375,028 2/1983 Wood D7/312 X

OTHER PUBLICATIONS

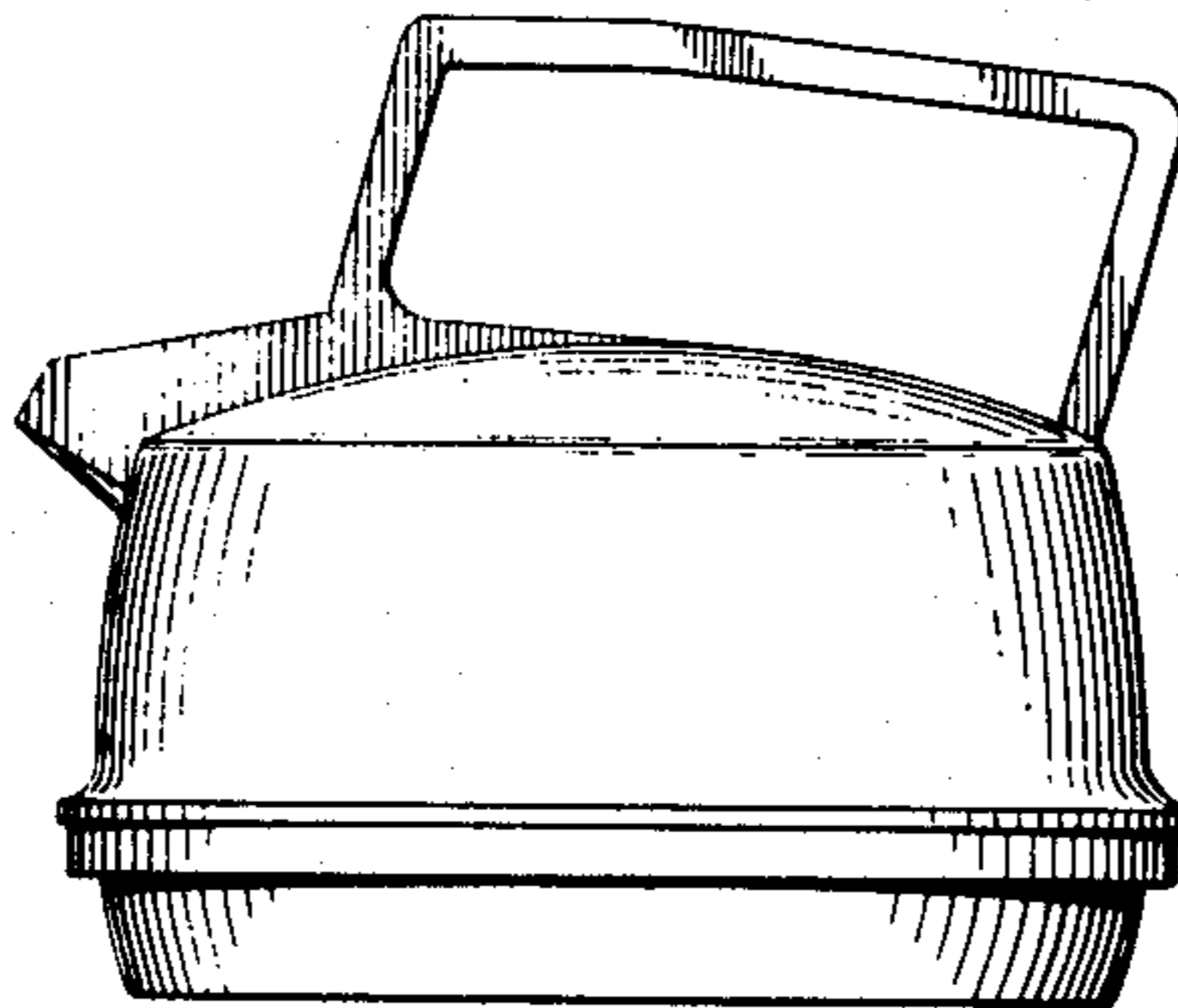
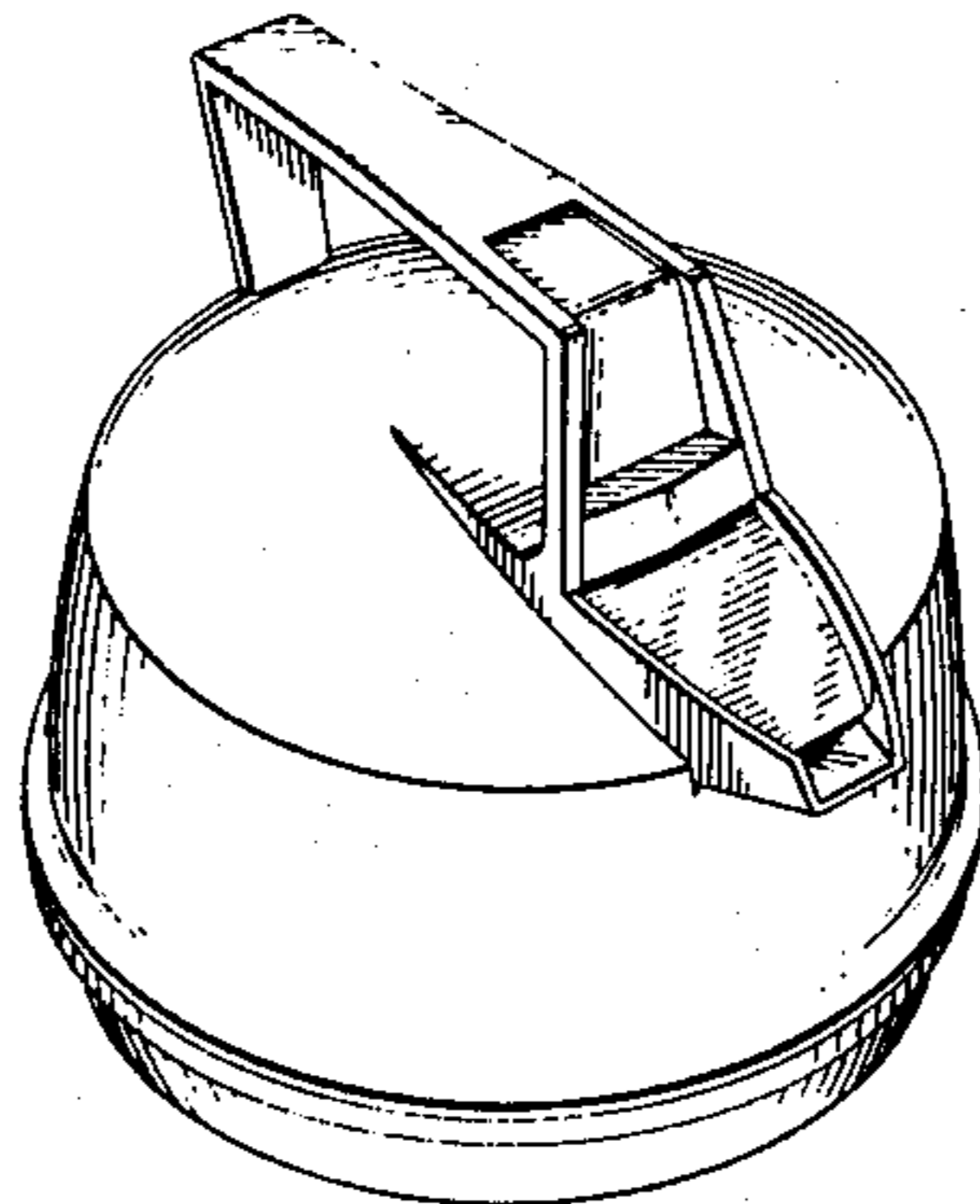
Industrial Design Magazine, Nov./Dec. 1980, p. 18, #3 panel Moulinex elec. kettle, bottom r.
Home Furnishings Daily, Sep. 30, 1963, p. 35, Mirro Ac. Tea Kettle/swept-back handle.

Primary Examiner—Winifred E. Herrmann
Attorney, Agent, or Firm—Swabey, Mitchell, Houle, Marcoux & Sher

[57] **CLAIM**
The ornamental design for a kettle, as shown and described.

DESCRIPTION

FIG. 1 is a top front perspective view of a kettle showing my new design;
FIG. 2 is a side elevation thereof;
FIG. 3 is a front elevation thereof;
FIG. 4 is a rear elevation thereof; and
FIG. 5 is a top plan view thereof.
The bottom of the kettle is flat.



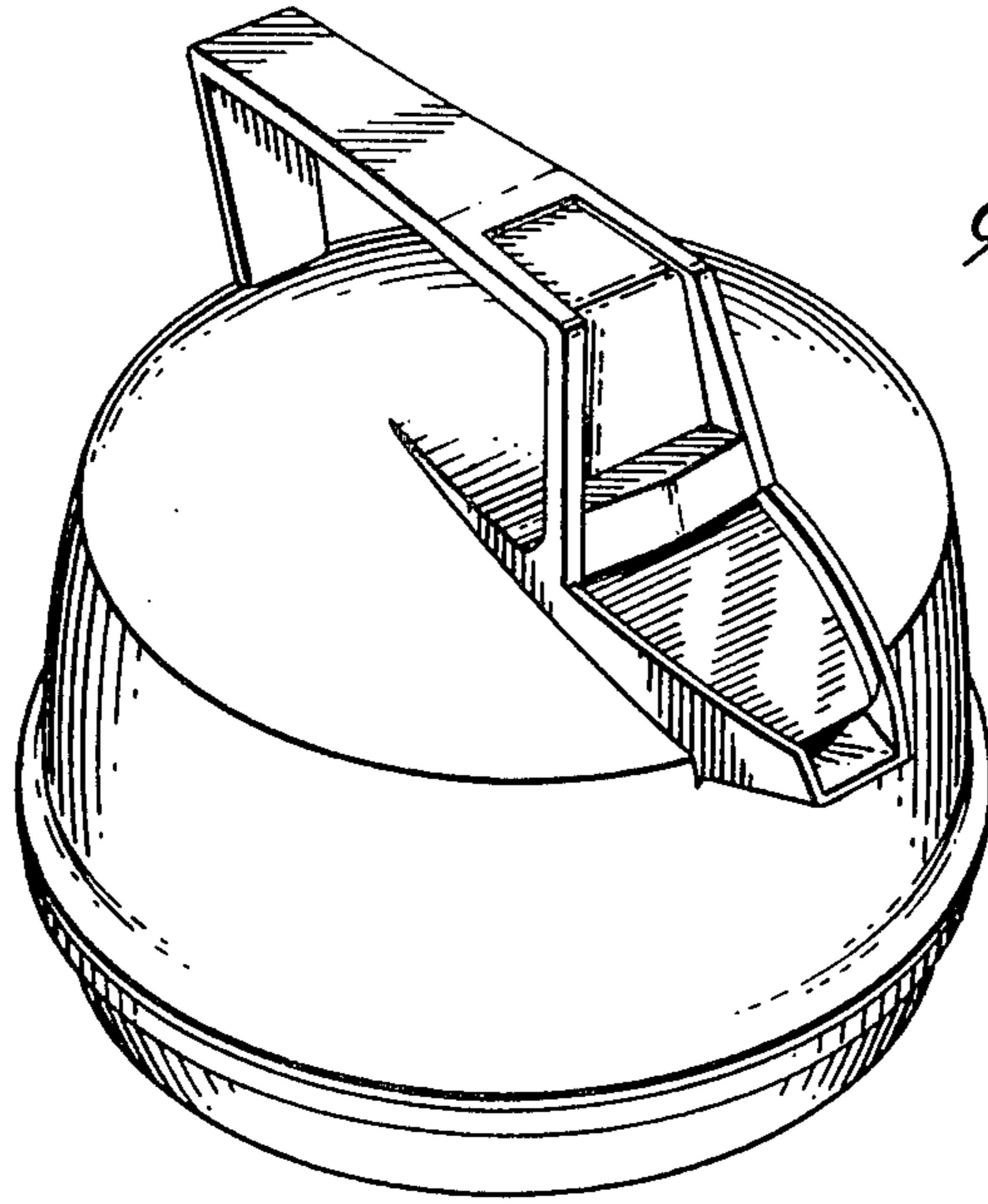


Fig. 1

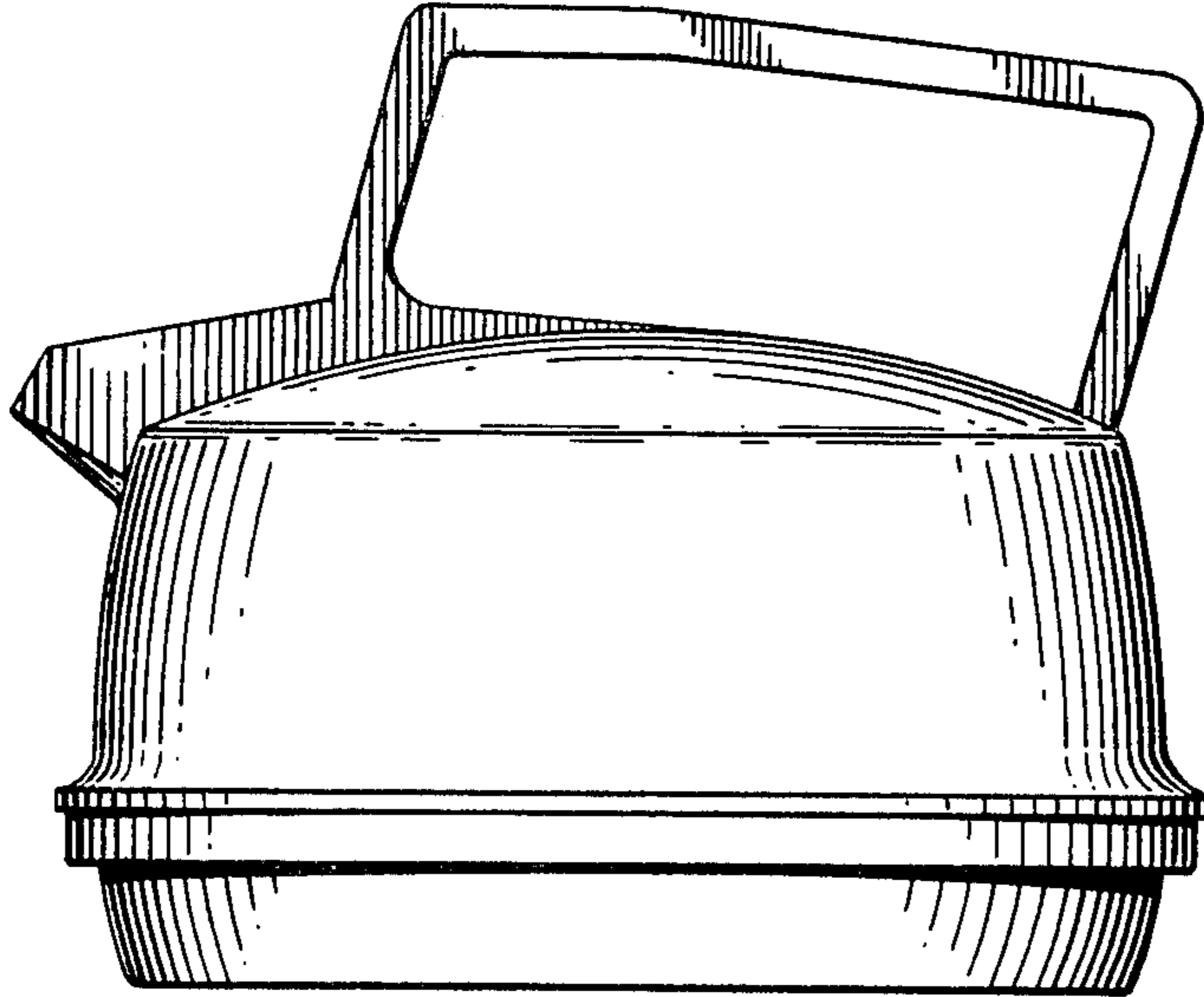


Fig. 2

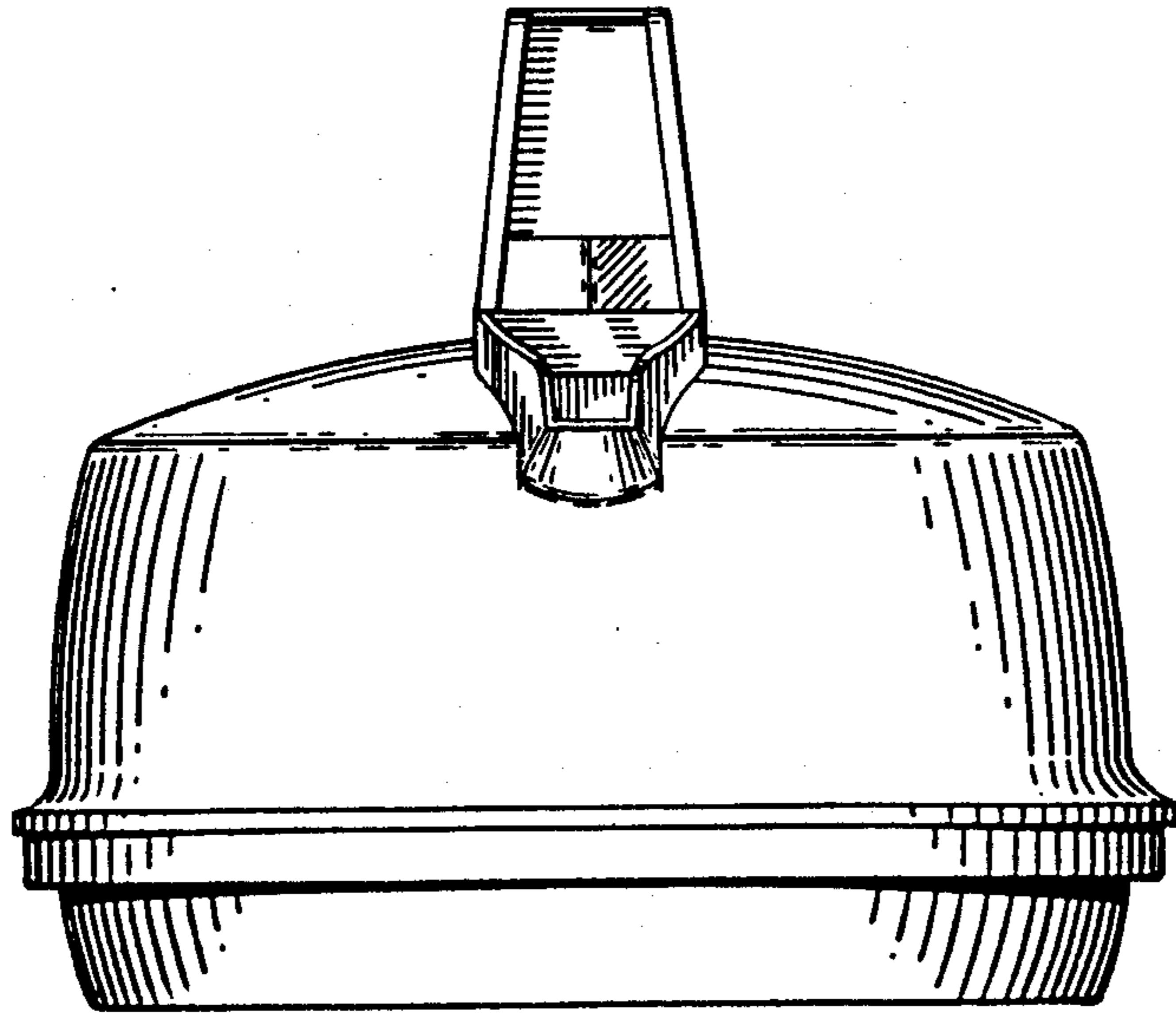


Fig. 3

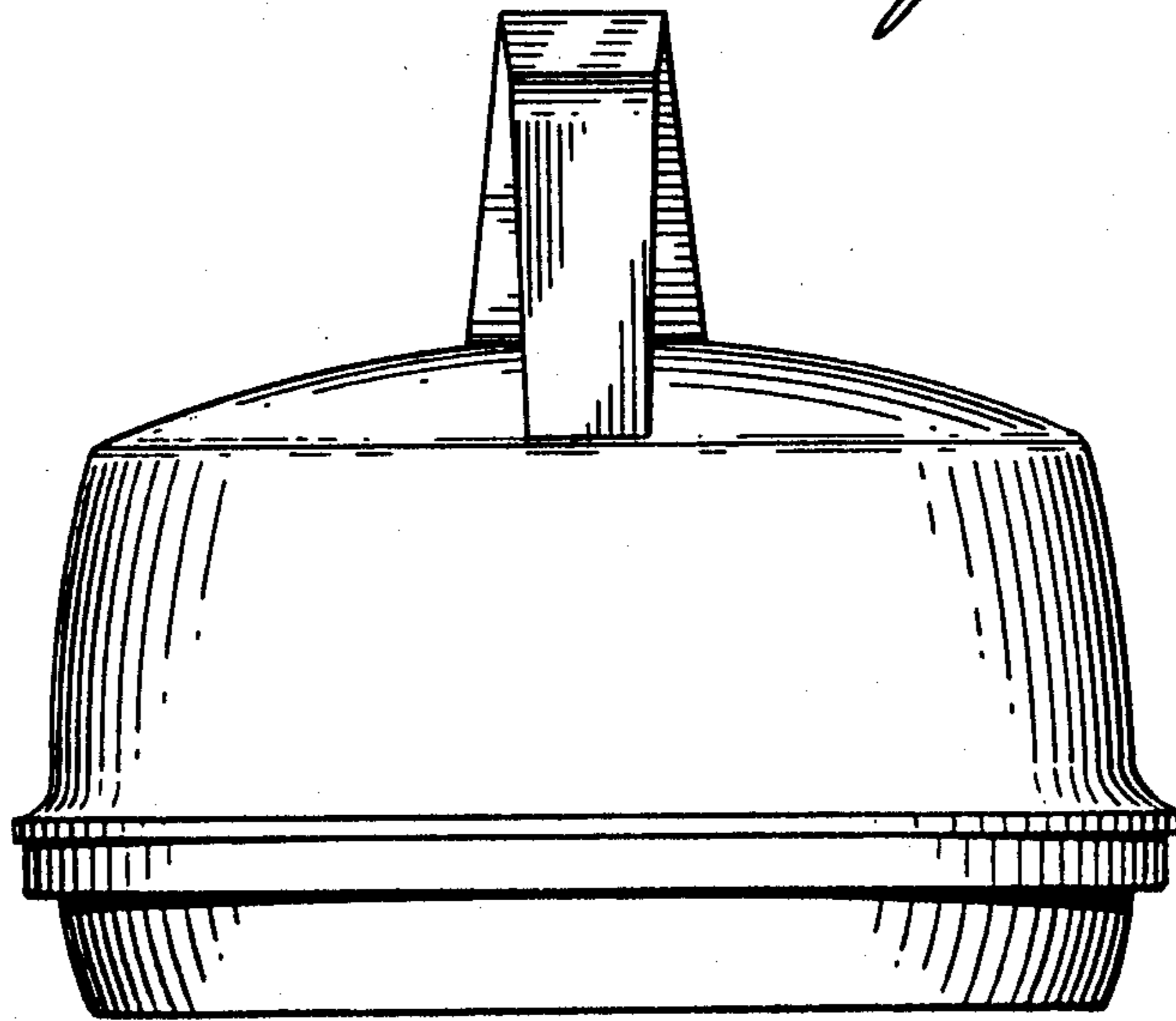


Fig. 4

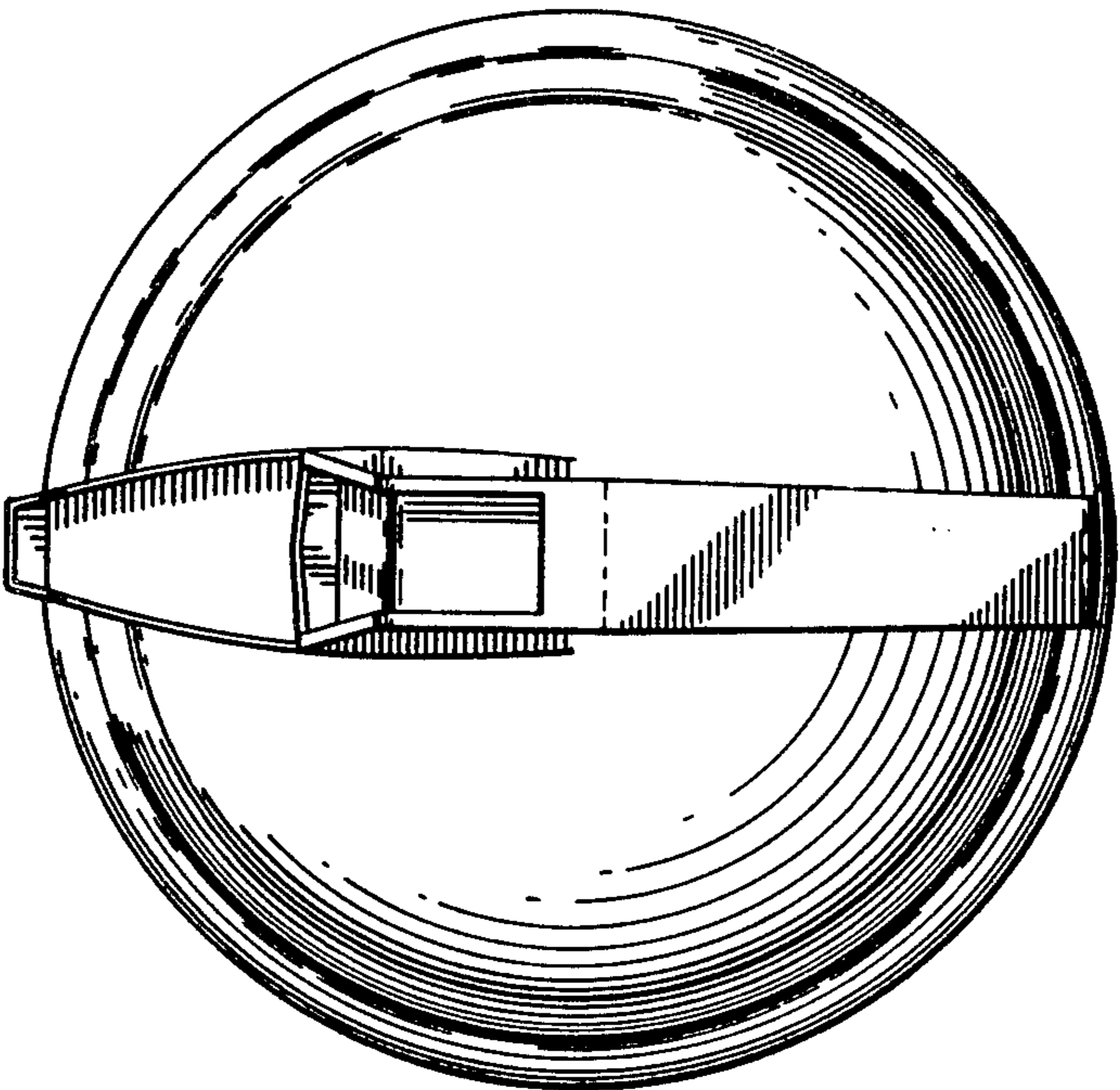


Fig. 5