

[54] DISH COVER OR THE LIKE

[75] Inventors: Rino Conti, Stoughton, Mass.; Robert H. C. M. Daenen, Hekelgem, Belgium; Gerald M. Grusin, Chicago, Ill.; Augusto A. Picozza, Johnston, R.I.; James B. Swett, Altamonte Springs, Fla.

[73] Assignee: Dart Industries Inc., Northbrook, Ill.

[\*\*] Term: 14 Years

[21] Appl. No.: 385,975

[22] Filed: Jun. 7, 1982

[52] U.S. Cl. .... D7/40

[58] Field of Search ..... D7/40, 17, 391, 392, D7/16, 360, 354; D9/444, 435, 454; 220/231, 94 A

[56] References Cited

U.S. PATENT DOCUMENTS

D. 133,936	9/1942	Barnsteiner	.....	D7/391
D. 160,070	9/1950	Carr	.....	D7/360
D. 174,721	5/1955	Steinbook	.....	D7/391
D. 197,575	2/1964	Gulotta	.....	D7/40
D. 217,438	5/1970	Balbach et al.	.....	D7/17 X

D. 248,363	7/1978	Rinaldi	.....	D7/354
D. 255,528	6/1980	Seager	.....	D7/40
D. 266,818	11/1982	Trombly	.....	D7/40

FOREIGN PATENT DOCUMENTS

103339	10/1937	Australia	.....	220/231
--------	---------	-----------	-------	---------

OTHER PUBLICATIONS

*Pfaltzgraff Co. Brochure, Supplement to HFD*, sec. one, Jan. 1, 1979, inside left page, cover on petite casserole 16 oz, 3rd. col. near bottom (brochure in T-4B box).

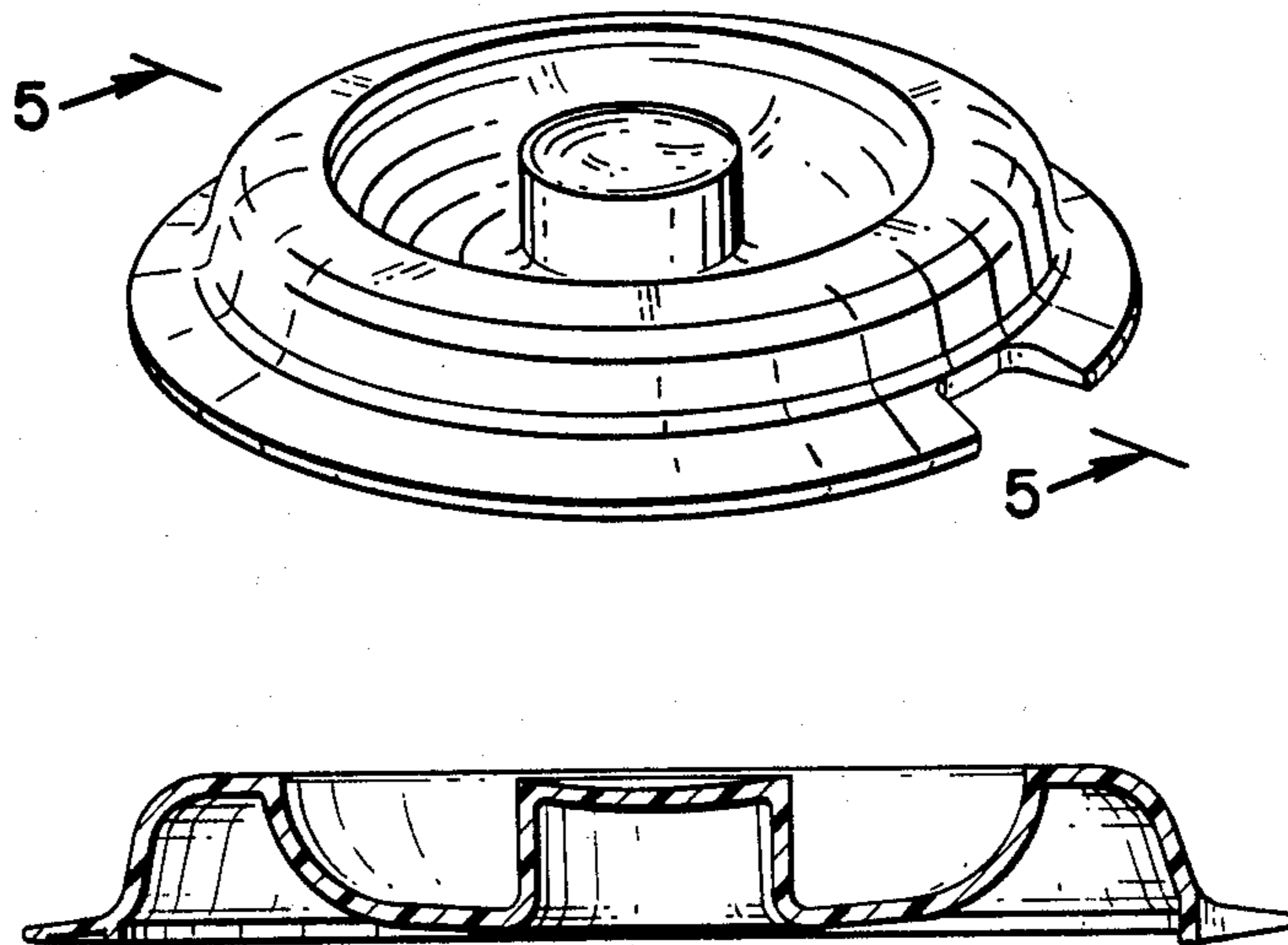
Primary Examiner—Winifred E. Herrmann  
Attorney, Agent, or Firm—John A. Doninger

[57] CLAIM

The ornamental design for a dish cover or the like, substantially as shown.

DESCRIPTION

FIG. 1 is a top perspective view of a dish cover or the like showing our new design;  
FIG. 2 is a side elevational view thereof;  
FIG. 3 is a top plan view thereof; and  
FIG. 4 is a bottom plan view thereof; and  
FIG. 5 is a cross-sectional view thereof on an enlarged scale taken along line 5—5 of FIG. 1.



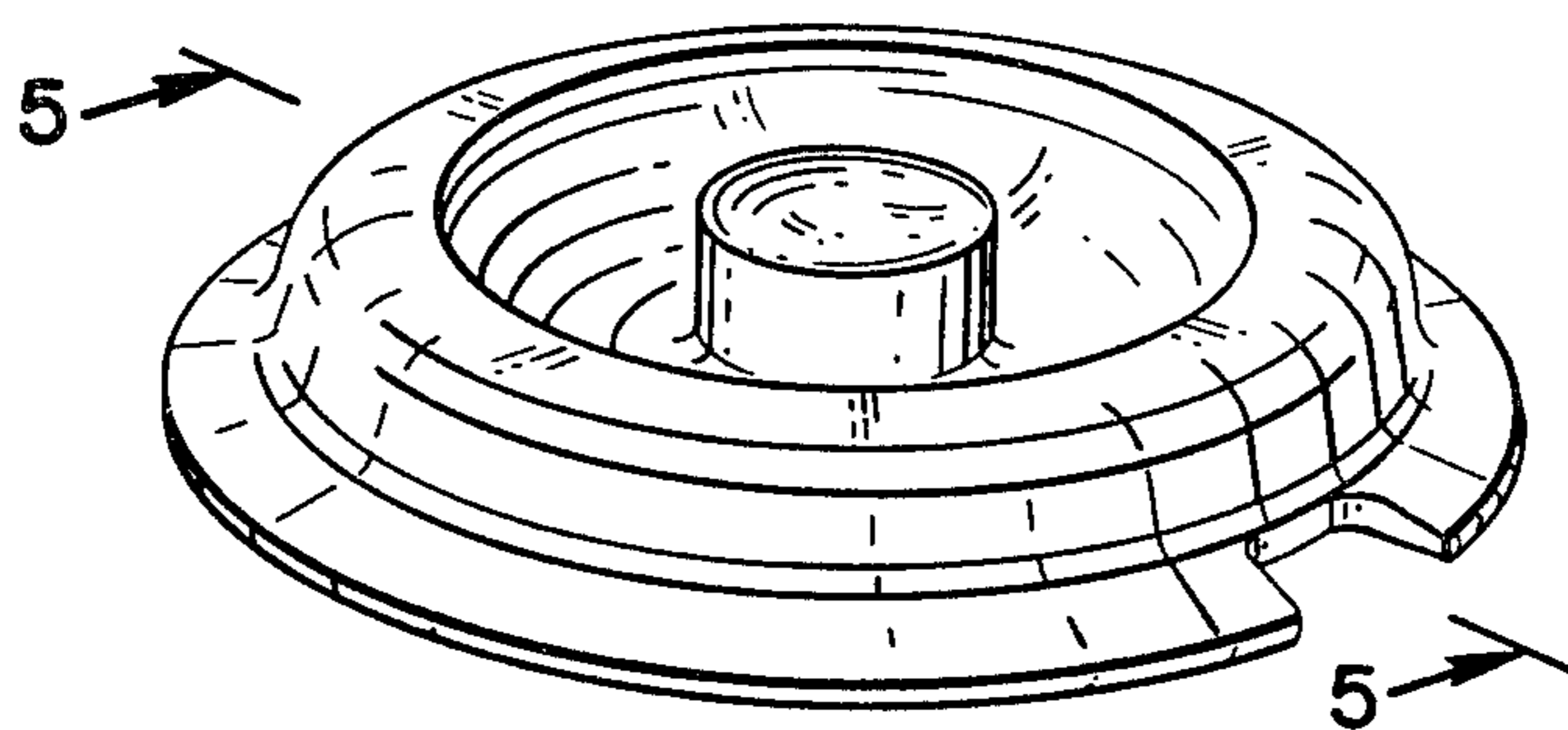


FIG. 1

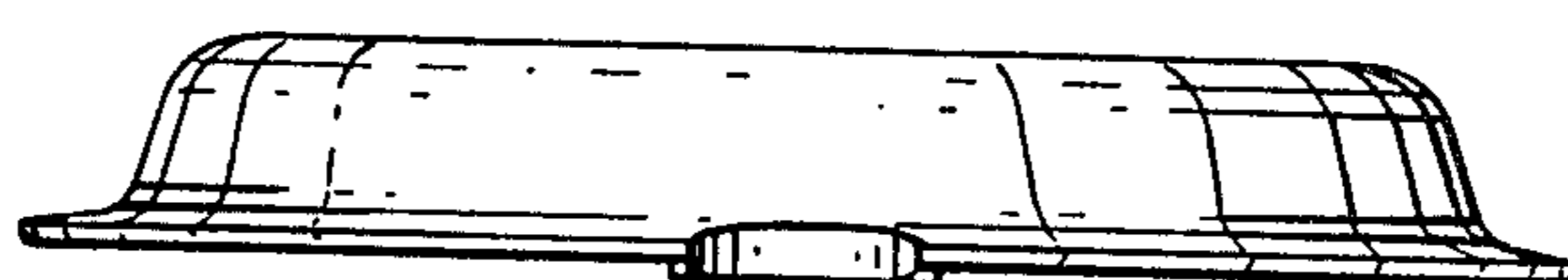


FIG. 2

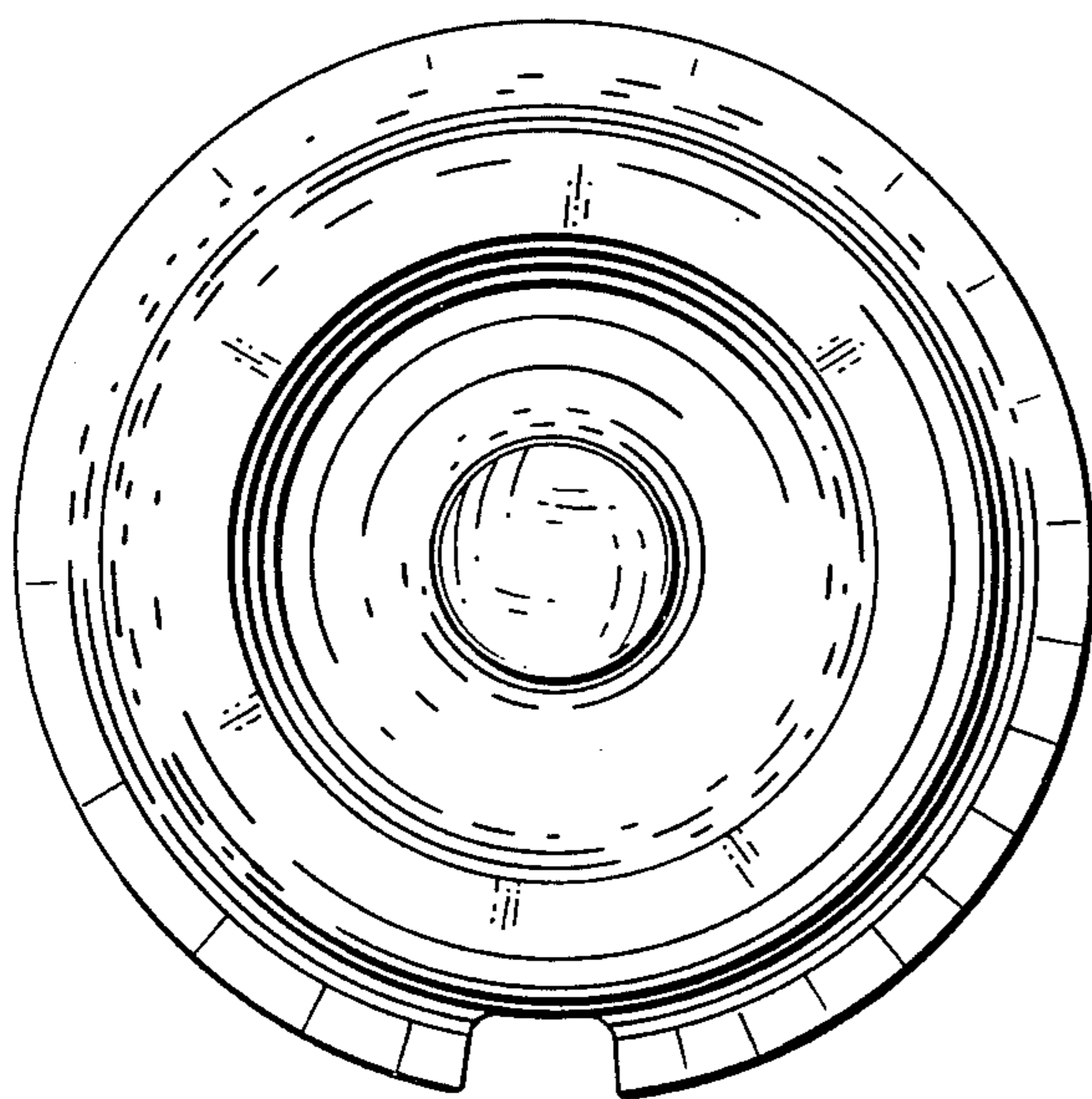


FIG. 3

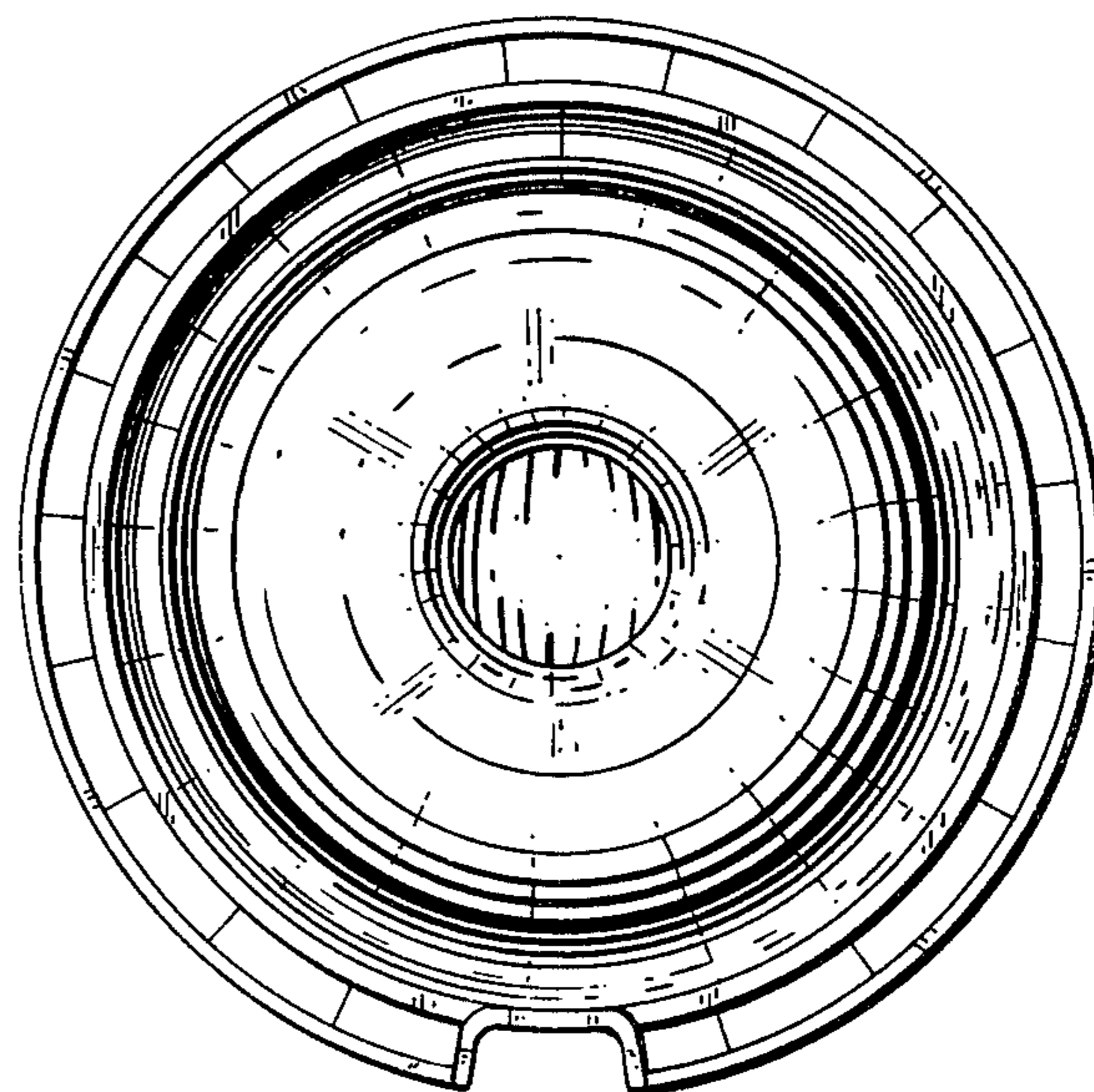


FIG. 4

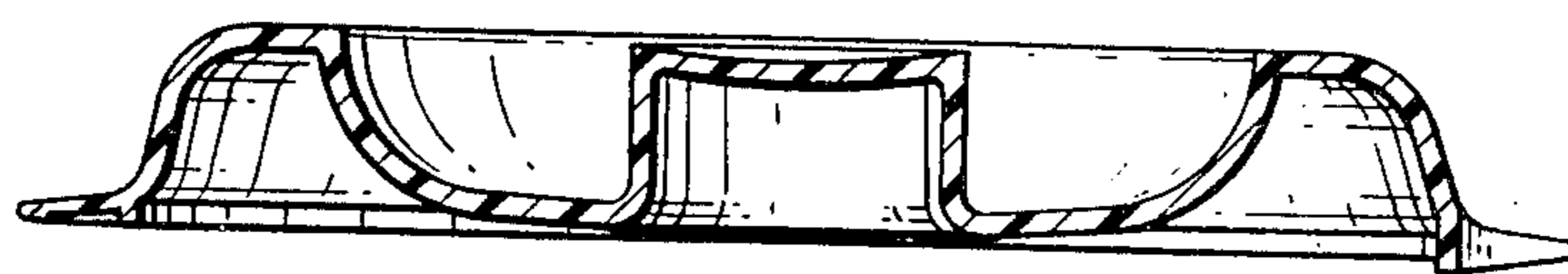


FIG. 5