

- [54] **PLATE**
- [75] **Inventor: Charles Solt, Stockton, N.J.**
- [73] **Assignee: Lenox, Incorporated, Lawrenceville, N.J.**
- [**] **Term: 14 Years**
- [21] **Appl. No.: 327,228**
- [22] **Filed: Dec. 3, 1981**
- [52] **U.S. Cl. D7/36**
- [58] **Field of Search D7/1, 3, 22-36, D7/83, 27, 39; D20/11; D64/2 R**

[56] **References Cited**

U.S. PATENT DOCUMENTS

D. 45,045	12/1913	Henckel	D7/36 X
D. 51,874	3/1918	Beyrand	D7/35
D. 61,249	7/1922	Reizenstein	D7/35
D. 61,250	7/1922	Reizenstein	D7/36
D. 64,133	3/1924	Ridgway	D7/36
D. 68,450	10/1925	Kotato	D7/36
D. 88,688	12/1932	Thompson	D7/36
3,305,083	2/1967	Wells	D7/23 X

OTHER PUBLICATIONS

Woodward & Lothrop of Wedgewood Presents a Sale, p. 4,

item 4L, "Ulander Ruby" Bone China, plate in center panel.
Jackson China cat., p. 3, "Spun Gold FF", plates shown on page.

Primary Examiner—Winifred E. Herrmann
Attorney, Agent, or Firm—Louis Weinstein

[57] **CLAIM**

The ornamental design for a plate, as shown and described.

DESCRIPTION

FIG. 1 is a top plan view of a plate showing my new design, it being understood that the ornamentation shown within the dashed line sectors continue about the entire surface of the plate in the path indicated.

FIG. 2 is an enlarged fragmentary top plan view of the plate of FIG. 1 showing the design pattern portion of FIG. 1 in greater detail.

FIG. 3 is a bottom plan view thereof.

FIG. 4 is a sectional view thereof, looking in the direction of arrows 4—4' of FIG. 1.

The three annular-shaped bands shown in FIGS. 1 and 2 have been stippled and the diamond-shaped and triangular-shaped elements making up the large centrally located annular band have been shown in black in order to show colored contrast as between the three first above-mentioned bands and the last-mentioned wide band. However, no claim for any colors is made herein.

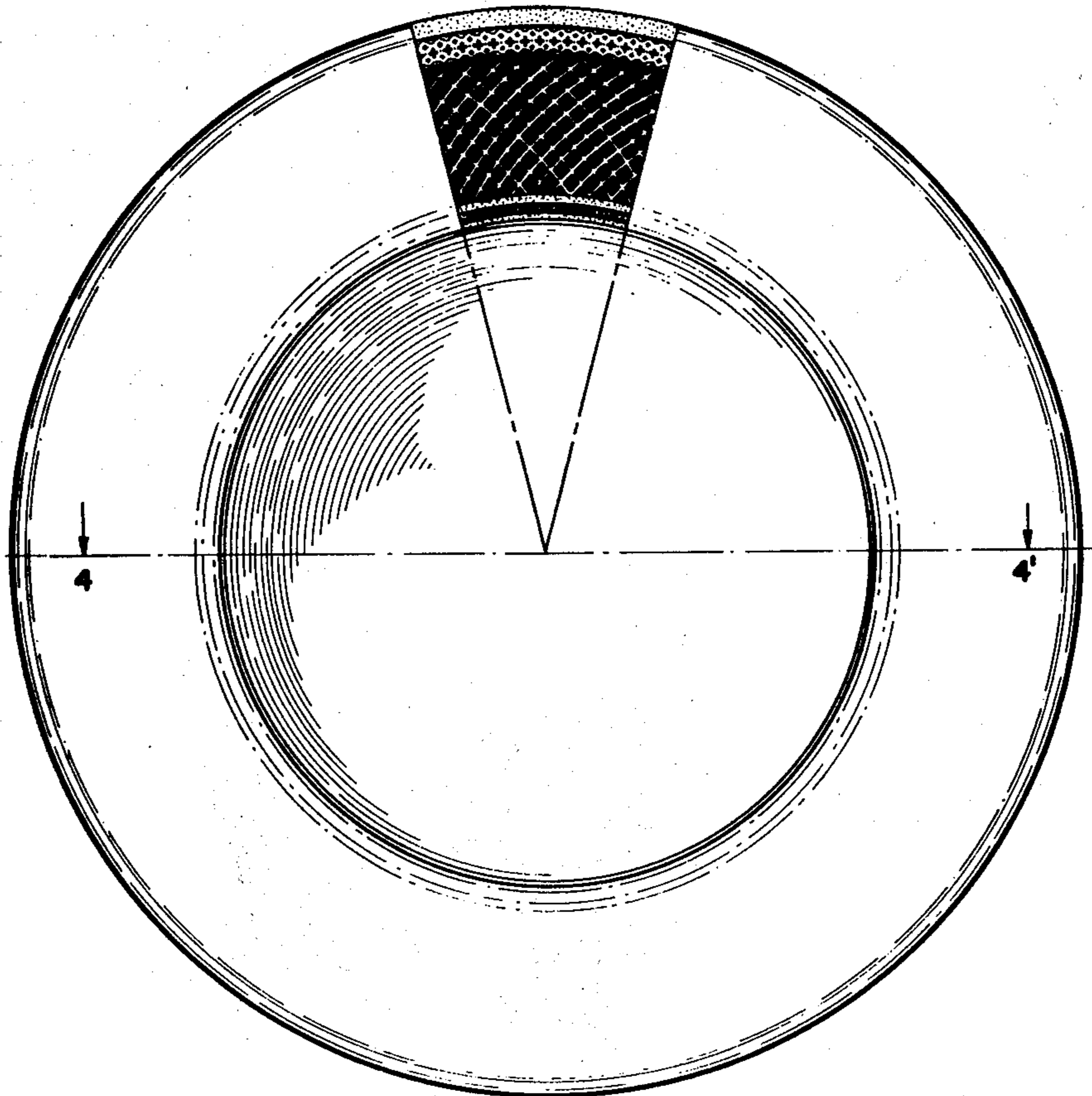


FIG. 1

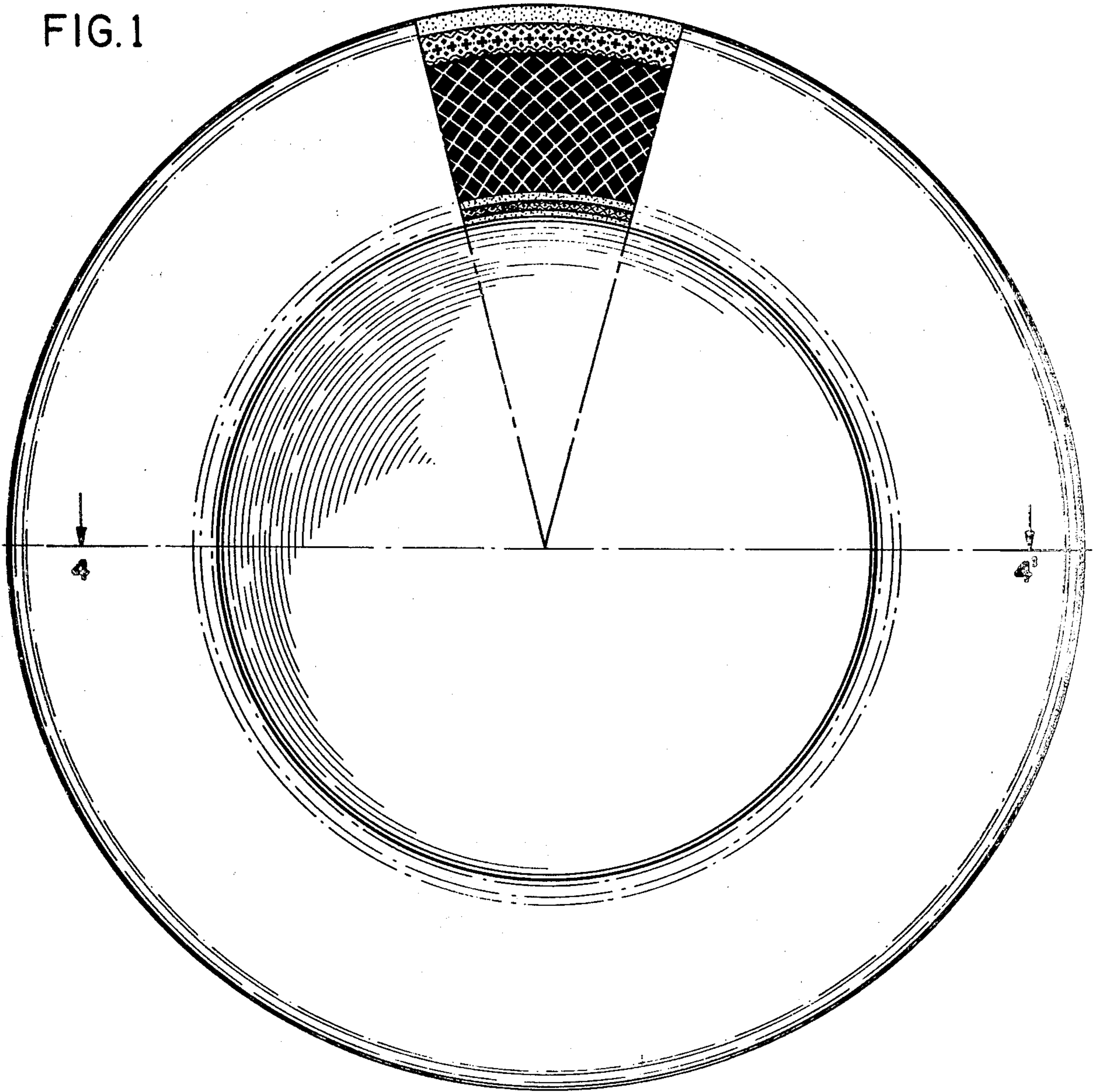
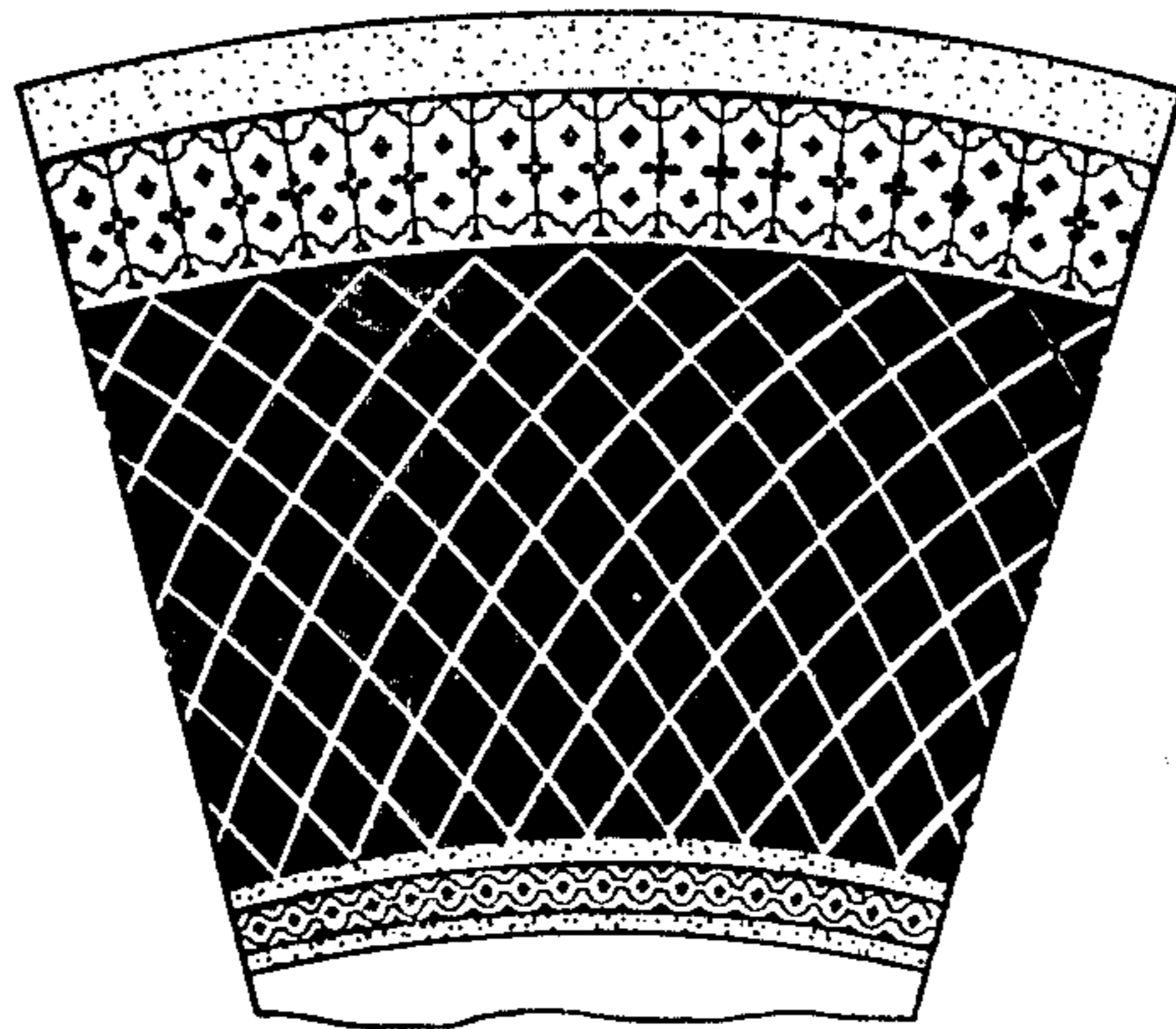


FIG. 2



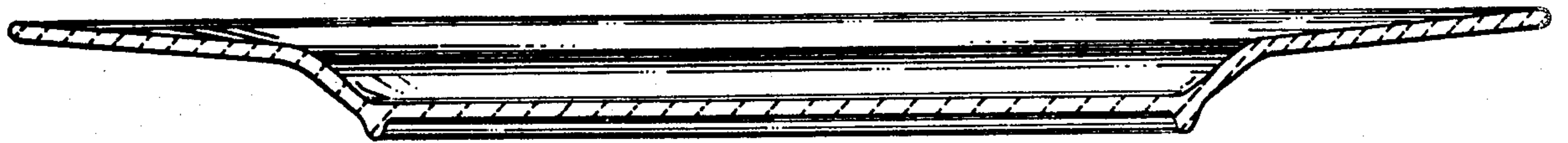


FIG. 4

FIG. 3

