

[54] **COMPARTMENTED TRAY AND COVER FOR FOOD OR THE LIKE**

[76] **Inventor: Mario E. Basil, 400 First St. SE., Washington, D.C. 20003**

[\*\*] **Term: 14 Years**

[21] **Appl. No.: 387,606**

[22] **Filed: Jun. 10, 1982**

[52] **U.S. Cl. .... D7/16; D9/347**

[58] **Field of Search ..... 7/16, 38, 71; D9/341, D9/345, 347, 424, 426; 220/20, 21, 23, 23.83**

[56] **References Cited**

**U.S. PATENT DOCUMENTS**

- D. 232,160 7/1974 Gibson ..... D9/347
- D. 233,486 10/1974 Gonzalez ..... D9/347 X
- D. 249,774 10/1978 Seager ..... D7/71 X
- D. 256,872 9/1980 Otto ..... D7/38

- D. 262,866 2/1982 Comisso ..... D9/347
- D. 271,932 12/1983 Mosley ..... D7/38
- 3,799,386 3/1974 Madalin ..... D7/38 X
- 3,850,333 11/1974 Reichert ..... D7/38 X
- 3,851,754 12/1974 Jones ..... D7/38 X
- 3,877,603 4/1975 Holz ..... D7/38 X

*Primary Examiner*—Robert C. Spangler  
*Attorney, Agent, or Firm*—Mason, Fenwick & Lawrence

[57] **CLAIM**

The ornamental design for a compartmented tray and cover for food or the like, substantially as shown and described.

**DESCRIPTION**

FIG. 1 is a top front perspective view of a compartmented tray and cover for food or the like showing my new design;

FIG. 2 is a bottom, rear perspective view; and  
FIG. 3 is an exploded front perspective view thereof.

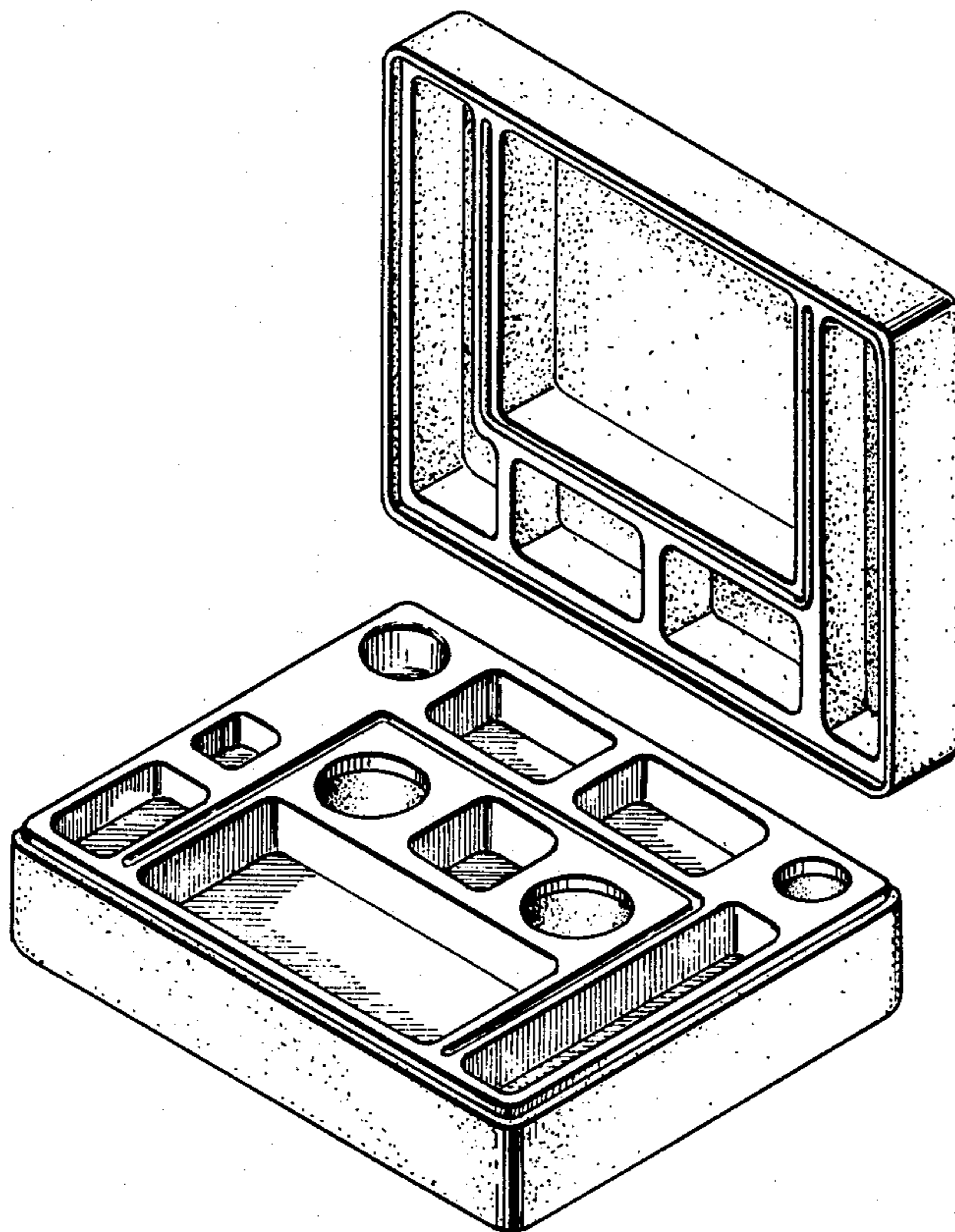


FIG-1

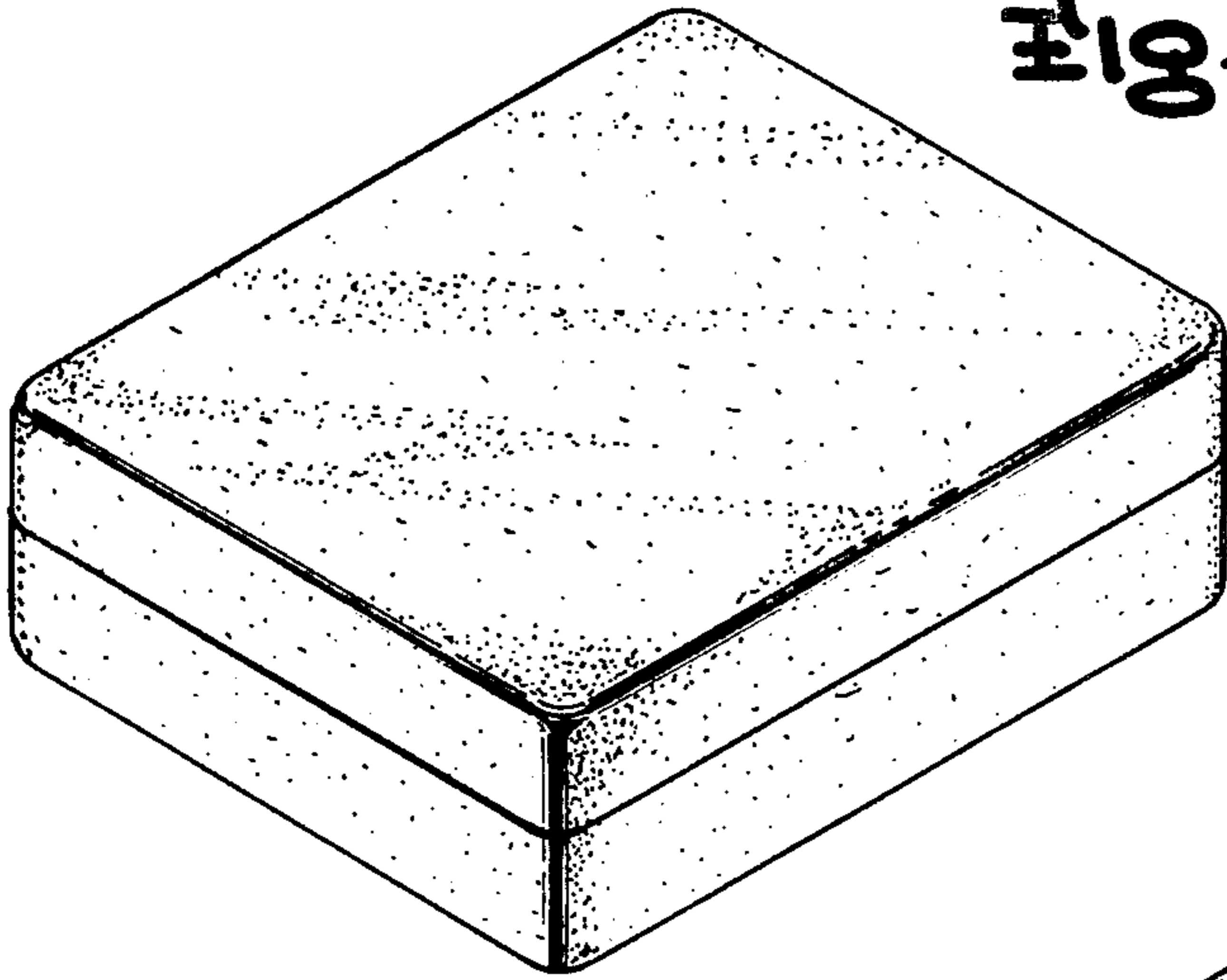


FIG-2

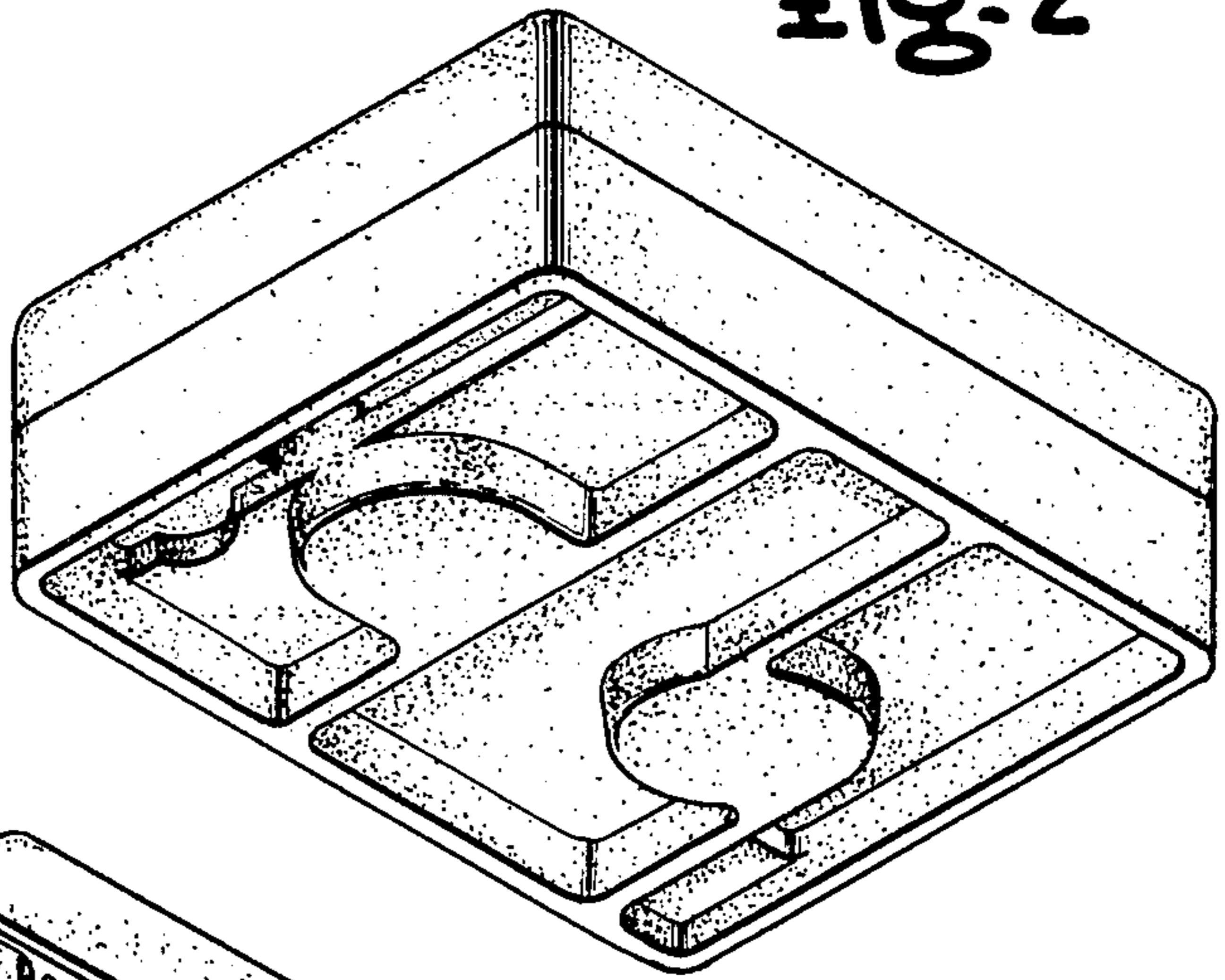


FIG-3

