

# United States Patent [19]

Ferrell et al.

[11] Patent Number: **Des. 276,112**

[45] Date of Patent: **\*\* Oct. 30, 1984**

[54] **HOSPITAL BED PROTECTIVE DEVICE**

[76] Inventors: **Linda S. Ferrell**, 5303 Ebell St., Long Beach, Calif. 90808; **Janet S. Roberts**, 15921 Wicklow La., Huntington Beach, Calif. 92647

[\*\*] Term: **14 Years**

[21] Appl. No.: **387,030**

[22] Filed: **Jun. 10, 1982**

[52] U.S. Cl. .... **D6/503; D6/606**

[58] Field of Search ..... **D6/79, 198, 201; 5/425, 5/427, 451, 508**

[56] **References Cited**

**U.S. PATENT DOCUMENTS**

3,742,530 7/1973 Clark ..... 5/425 X  
4,109,887 8/1978 Wakeland ..... 5/451 X

**FOREIGN PATENT DOCUMENTS**

614367 11/1979 Switzerland ..... 5/425

795742 5/1958 United Kingdom ..... 5/427

**OTHER PUBLICATIONS**

Skil-Care Corp., Yonkers, N.Y., "Bed Rail Pads" Flyer.

*Primary Examiner*—Jane E. Corrigan  
*Attorney, Agent, or Firm*—Francis X. LoJacono

[57] **CLAIM**

The ornamental design for a hospital bed protective device, as shown and described.

**DESCRIPTION**

FIG. 1 is a front, top and right side perspective view of a hospital bed protective device showing our new design;  
FIG. 2 is a front-elevational view thereof;  
FIG. 3 is a left side elevational view;  
FIG. 4 is a rear-elevational view thereof;  
FIG. 5 is a bottom-plan view thereof; and  
FIG. 6 is a view of the device laid flat.

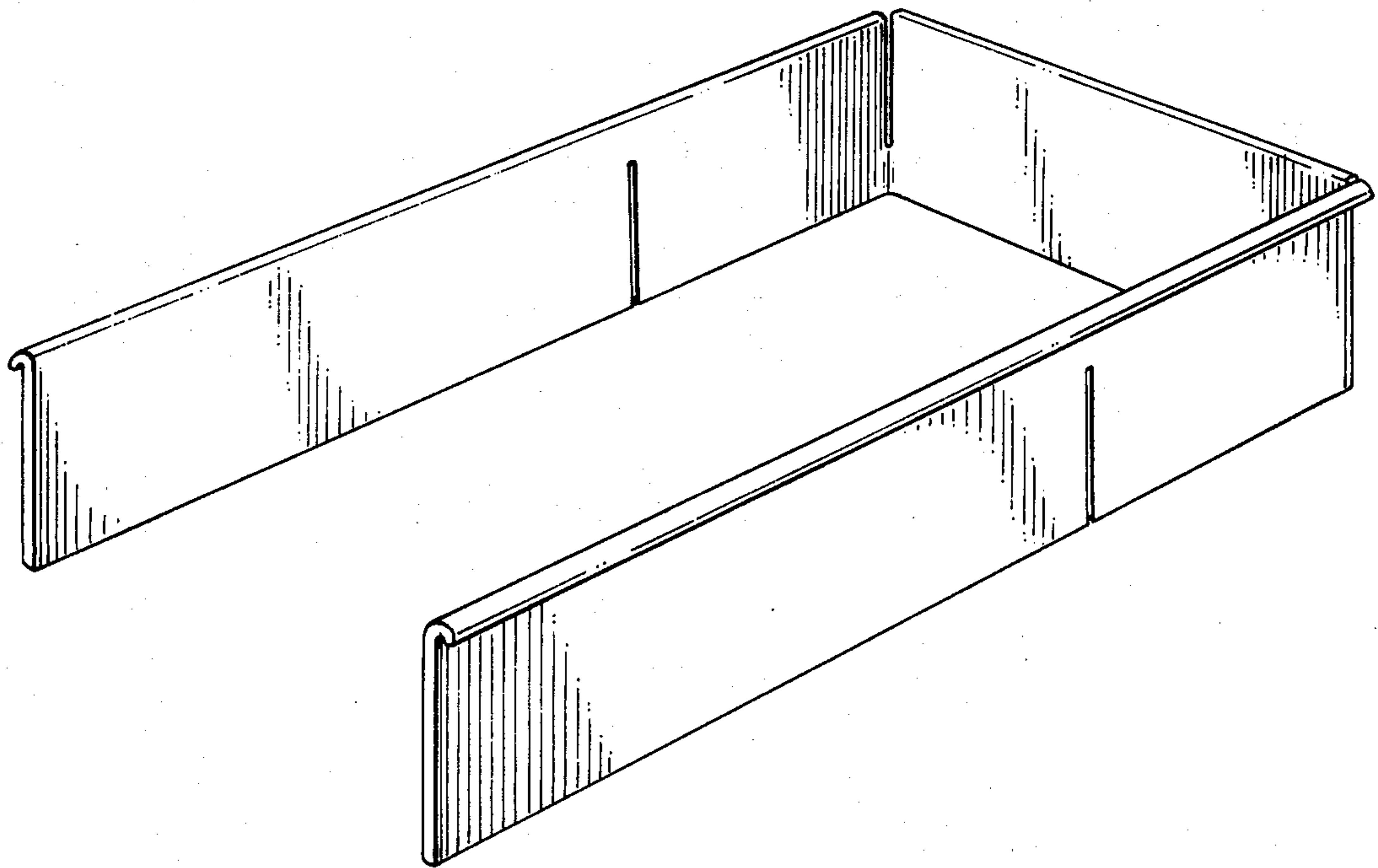


FIG. 1

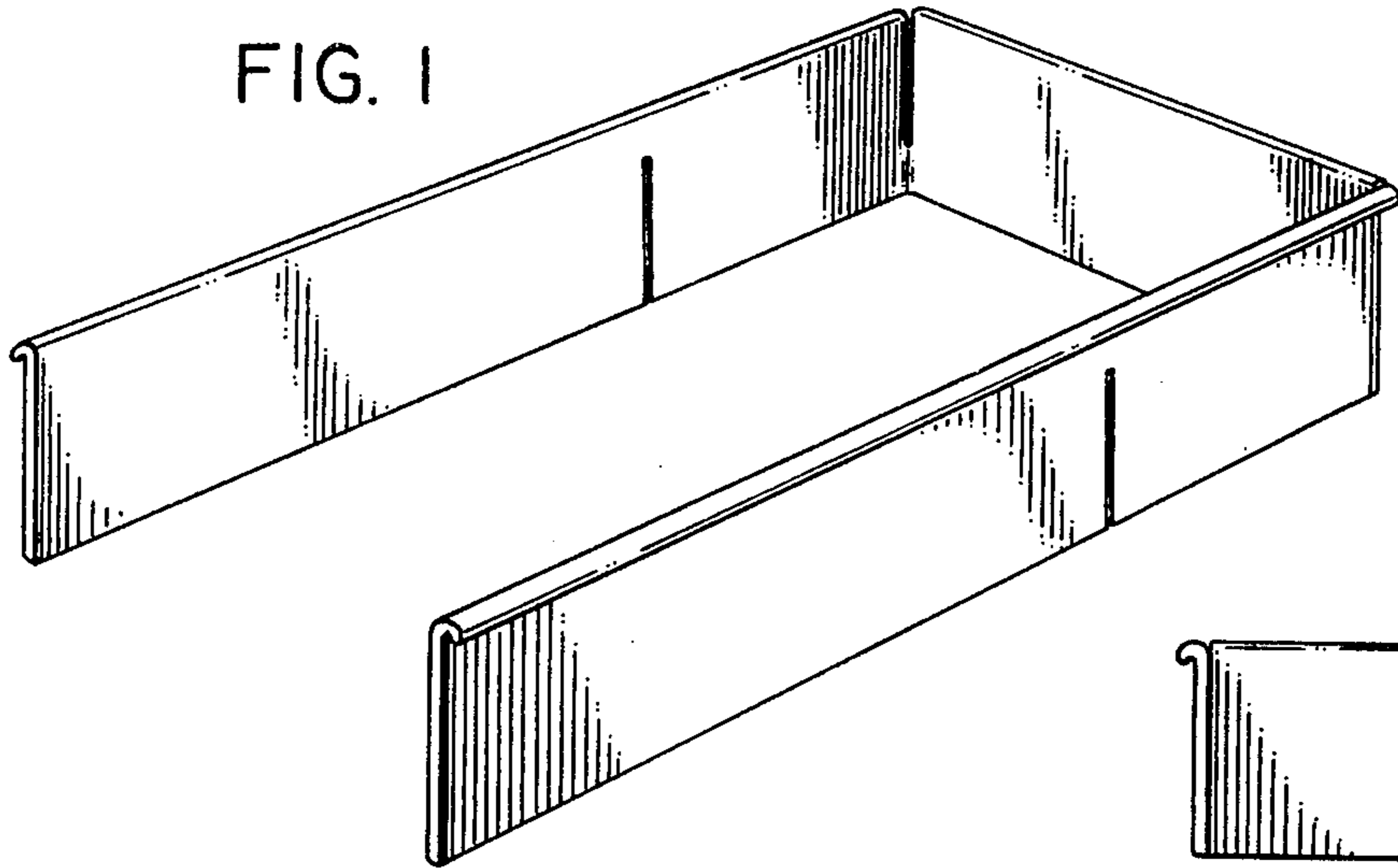


FIG. 2

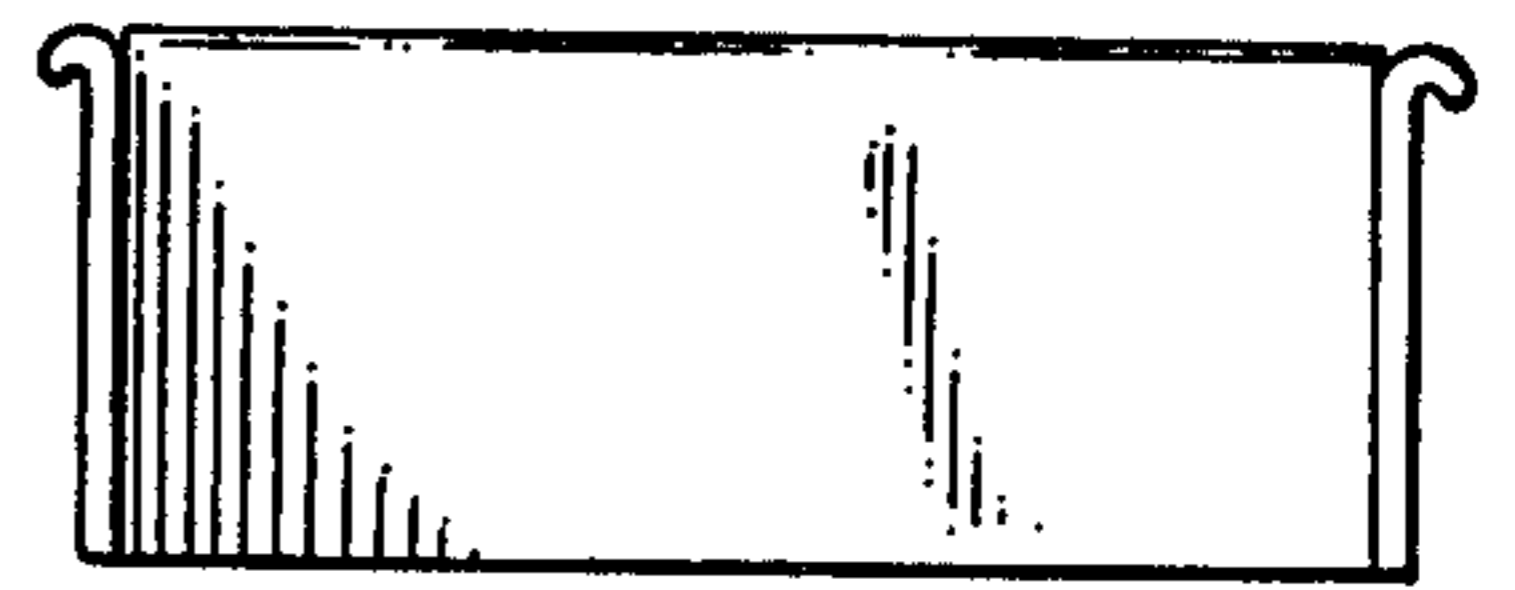


FIG. 3

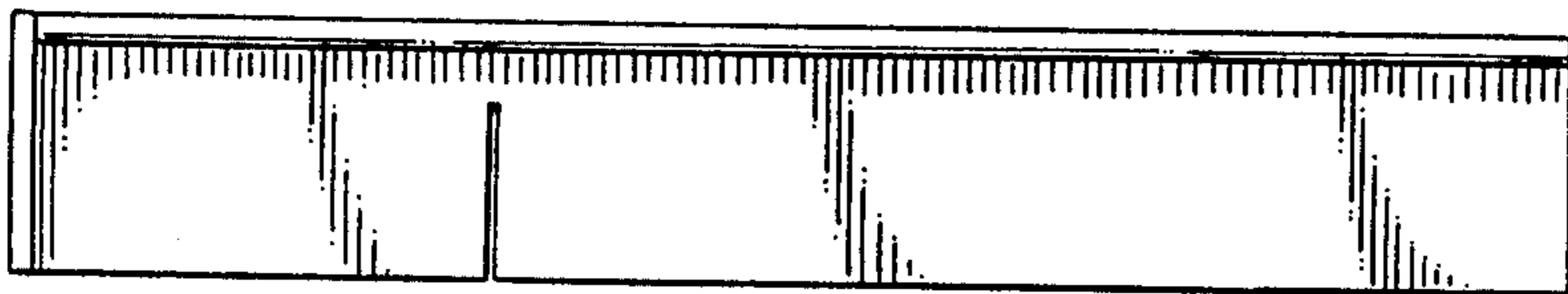


FIG. 4

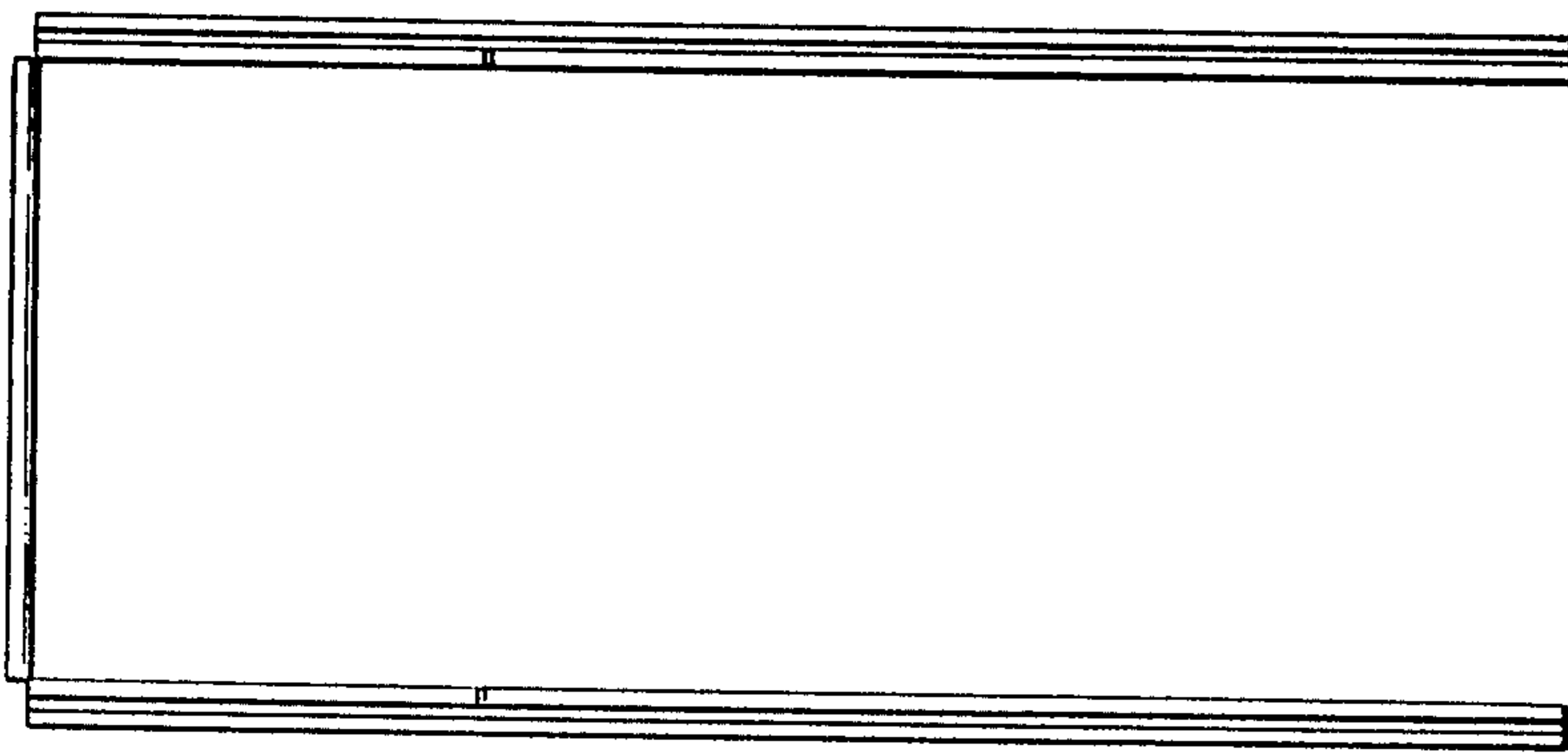
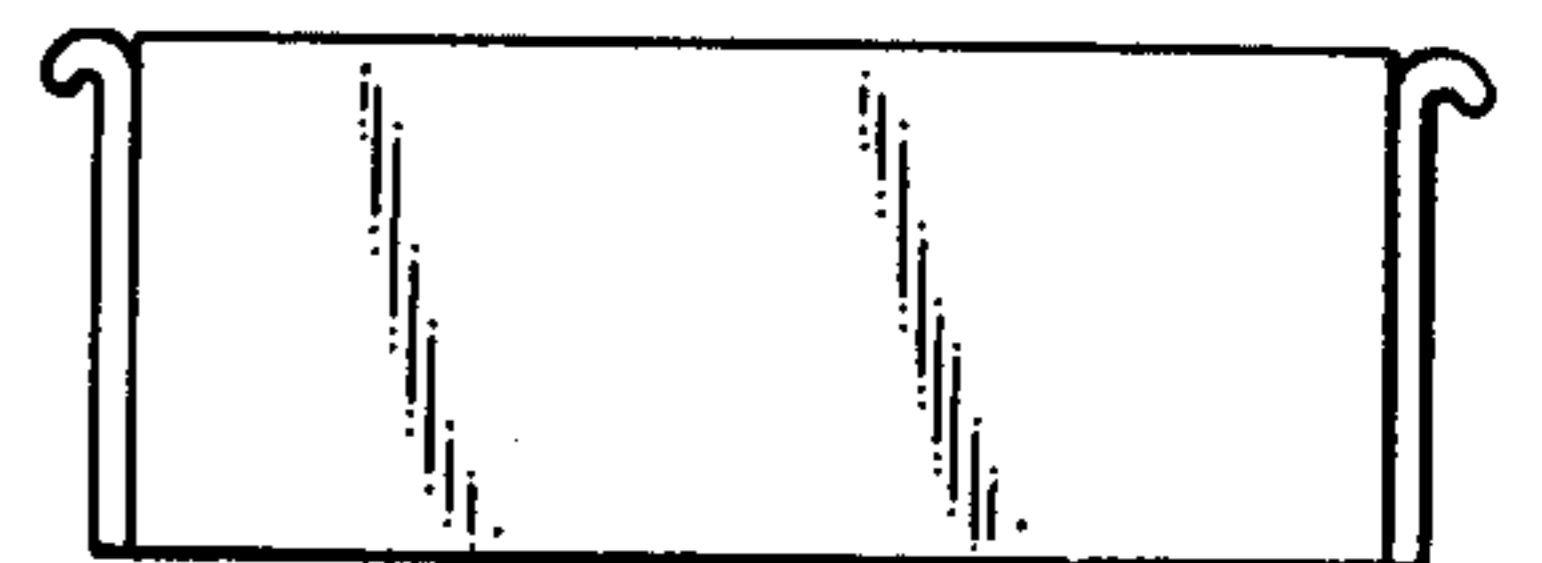


FIG. 5

FIG. 6

