

# United States Patent [19]

Doyel

[11] Patent Number: **Des. 276,111**

[45] Date of Patent: **\*\* Oct. 30, 1984**

[54] FILE DRAWER

[76] Inventor: **John S. Doyel, 404 W. 20th St., New York, N.Y. 10016**

[\*\*] Term: **14 Years**

[21] Appl. No.: **374,192**

[22] Filed: **May 3, 1982**

[52] U.S. Cl. .... **D6/510; D19/76; D19/90**

[58] Field of Search ..... **D6/191; D19/75-78, D19/86, 90-92; 220/22.1; 312/270, 330 R, 349; D3/35**

[56] **References Cited**

**U.S. PATENT DOCUMENTS**

D. 171,219	12/1953	Mills	.....	D3/35
D. 212,011	8/1968	Risom	.....	D6/191
D. 215,307	9/1969	Huck	.....	D6/191
D. 259,496	6/1981	Hampshire et al.	.....	D3/78

3,712,696 1/1973 McDonnell ..... 312/270

*Primary Examiner*—George P. Word

[57] **CLAIM**

The ornamental design for a file drawer, as shown and described.

**DESCRIPTION**

FIG. 1 is a perspective view of a file drawer showing my new design;  
FIG. 2 is a right side elevational view thereof, the environmental structure shown in broken lines being for illustrative purposes only;  
FIG. 3 is a right side elevational view similar to FIG. 2 showing the file drawer partly open;  
FIG. 4 is a front elevational view of FIG. 1;  
FIG. 5 is a rear elevational view thereof;  
FIG. 6 is a bottom plan view thereof;  
FIG. 7 is a top plan view thereof; and  
FIG. 8 is a perspective view which differs only in that the top surface is continuous and flat.

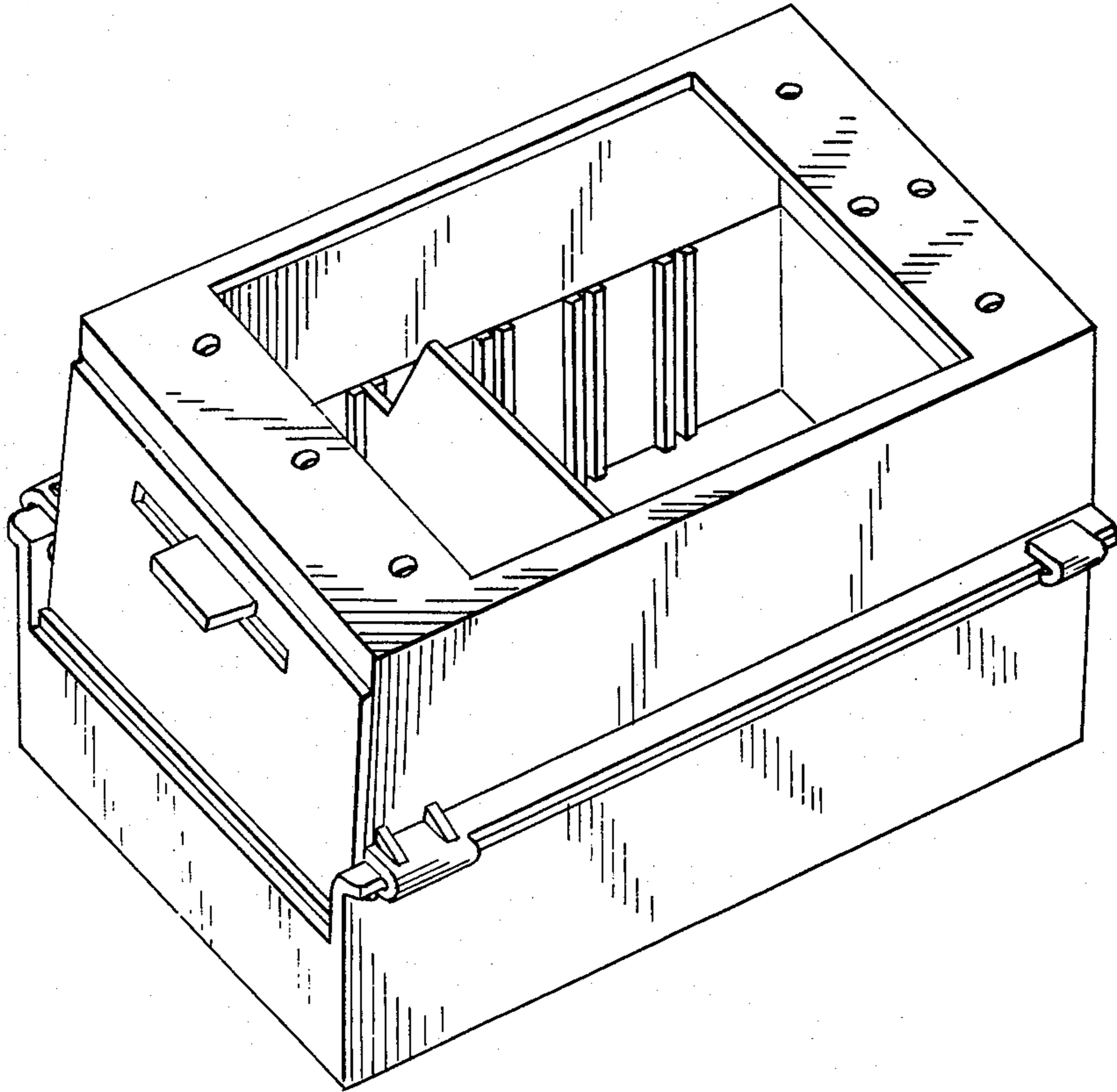


Fig. 1.

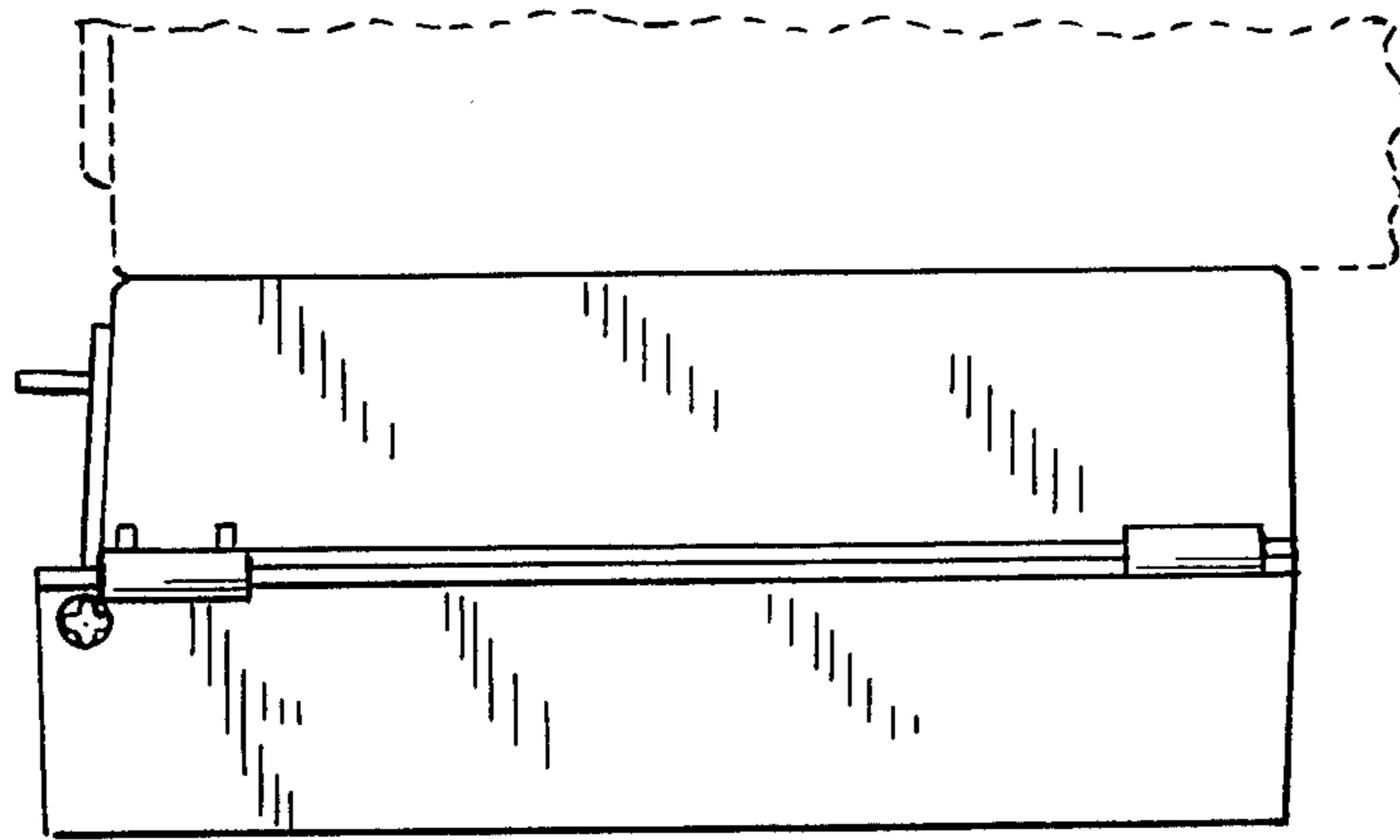
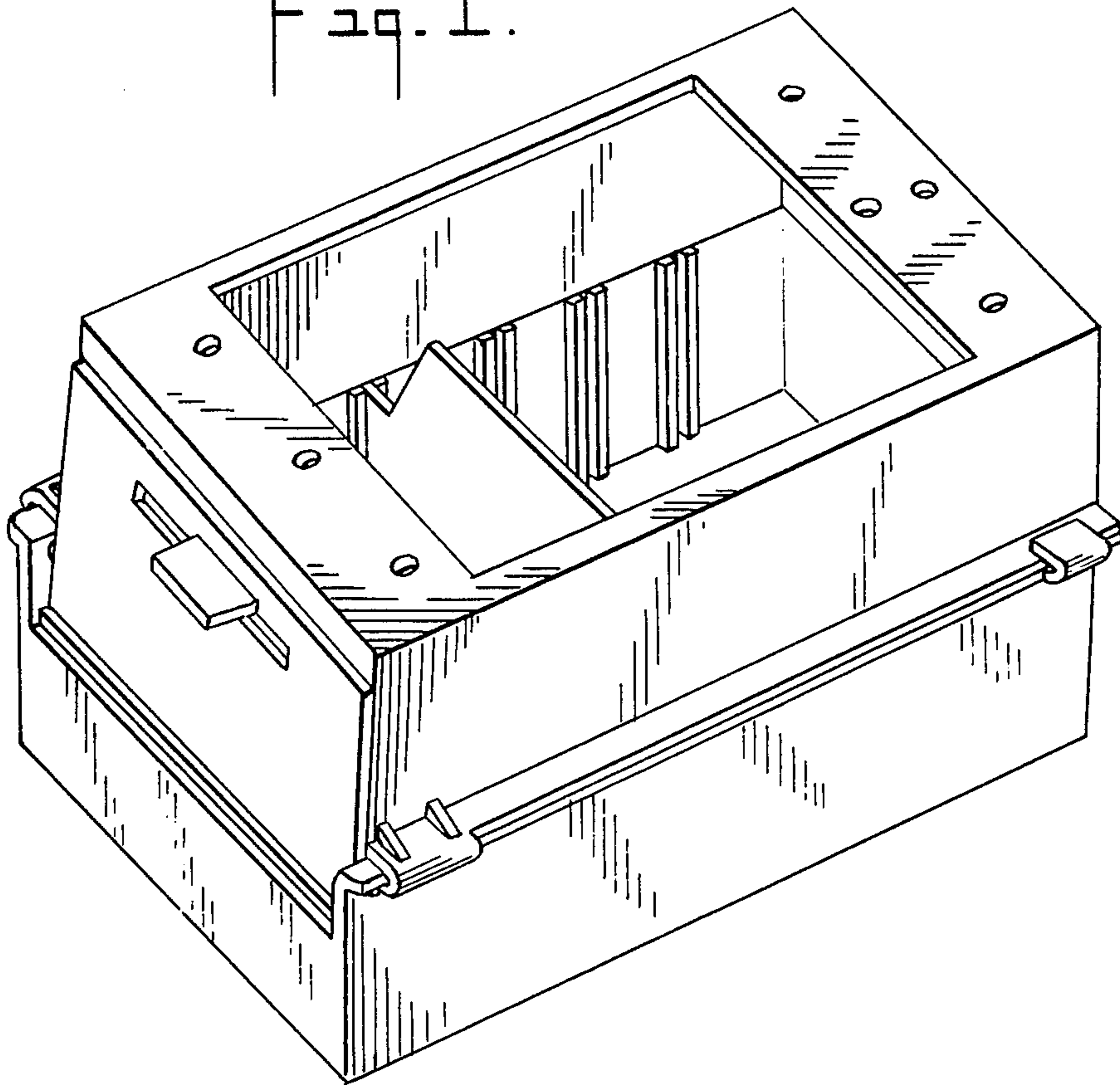


Fig. 2.

Fig. 3.

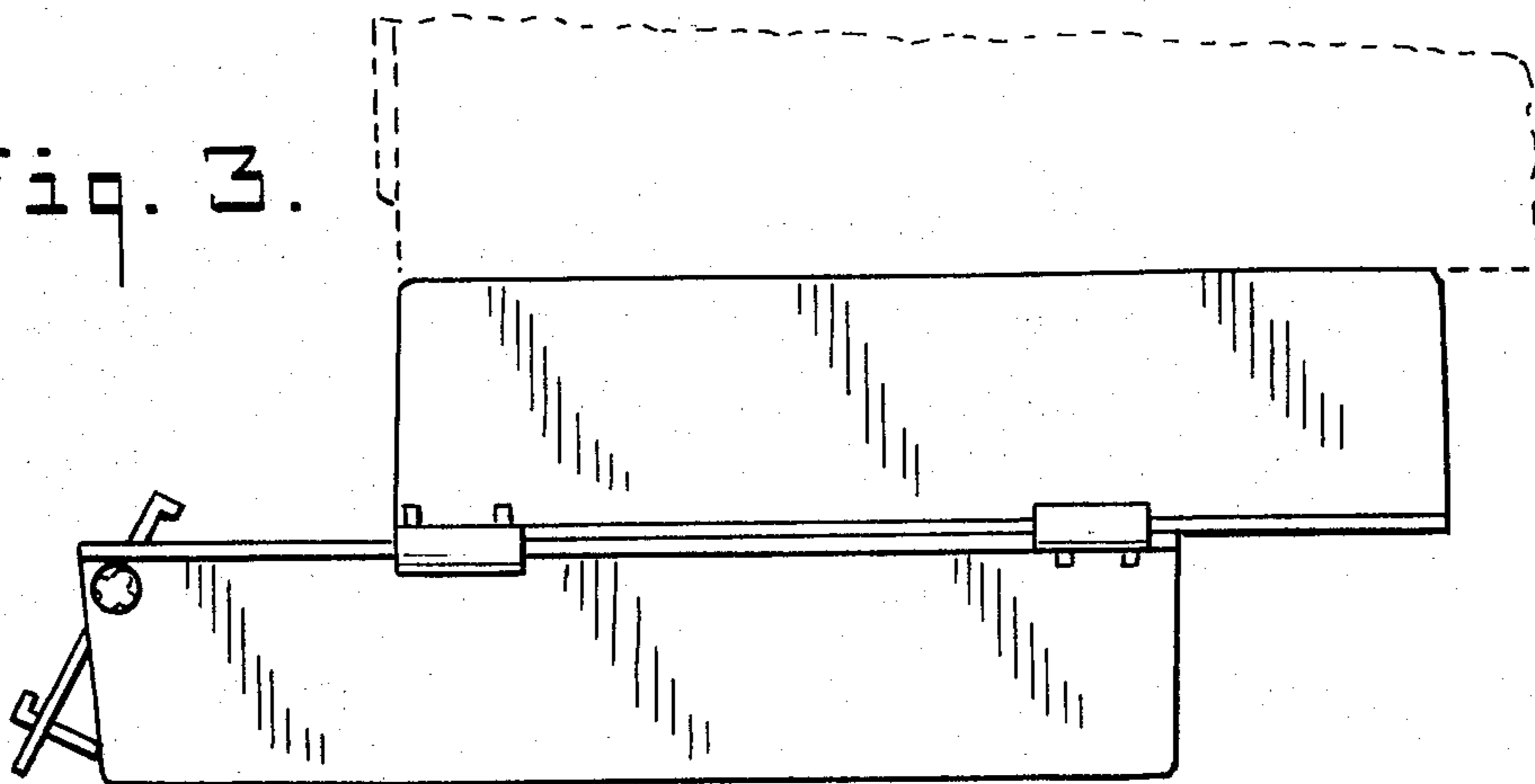


Fig. 4.

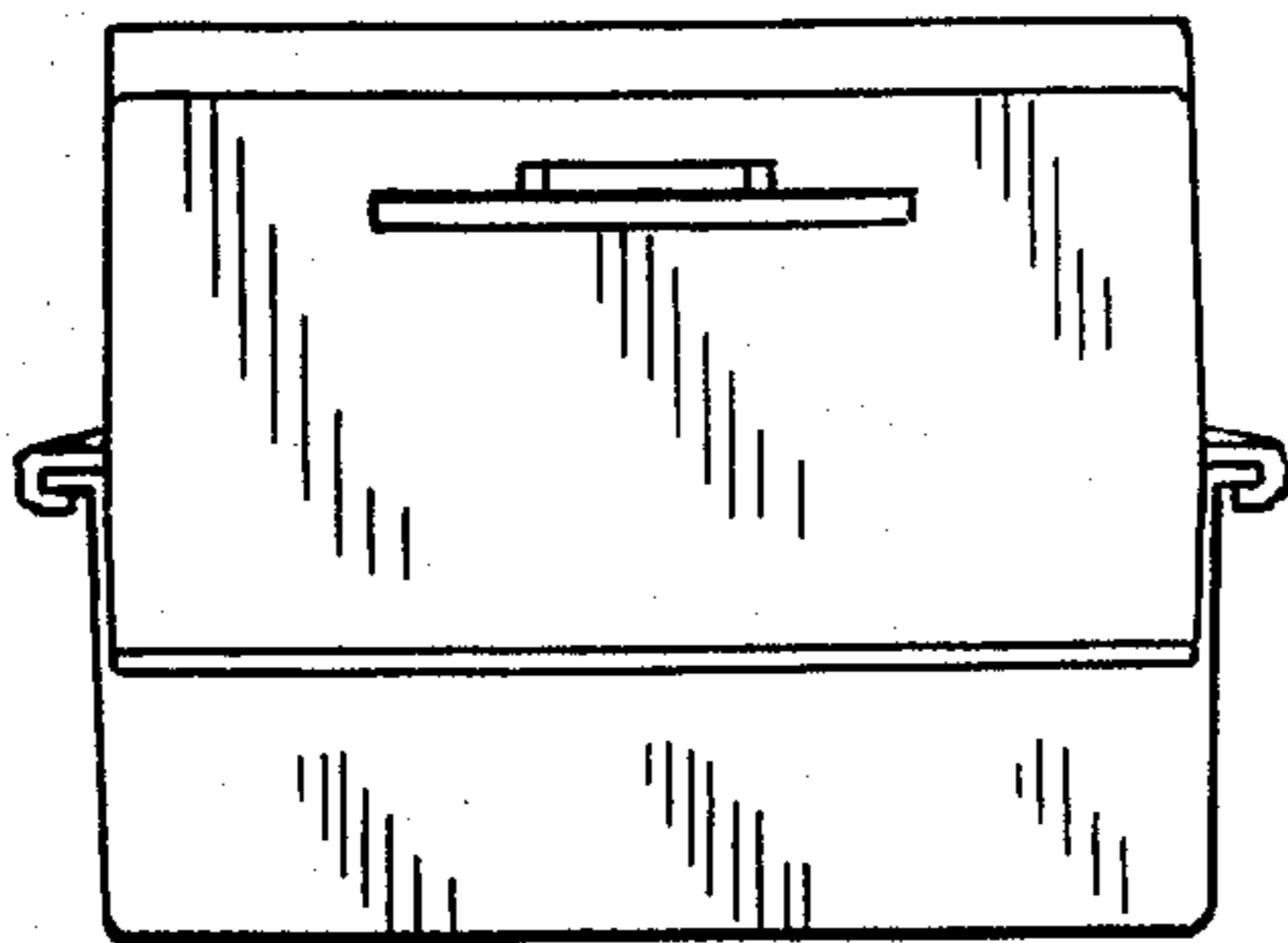


Fig. 5.

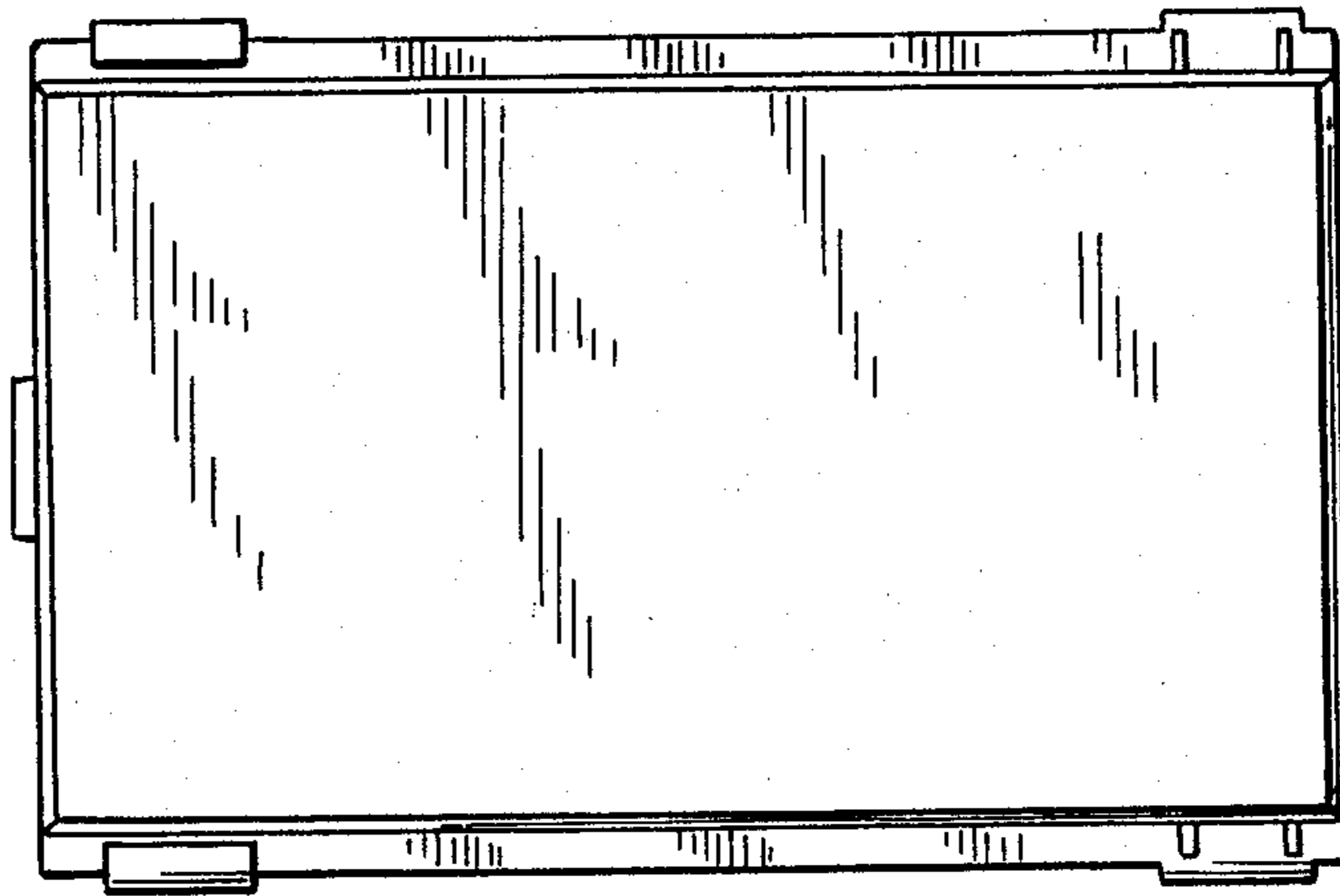
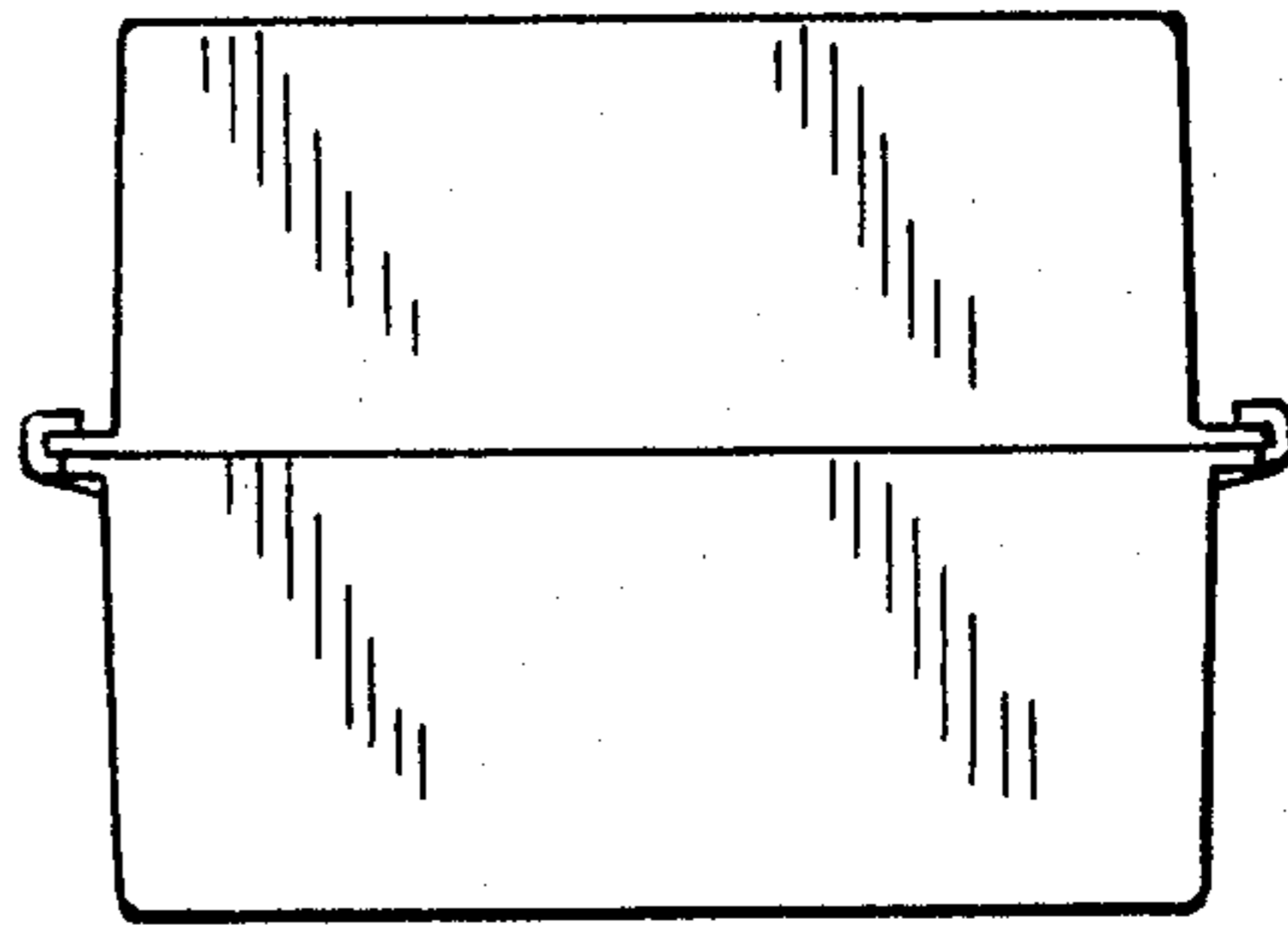


Fig. 6.

Fig. 7.

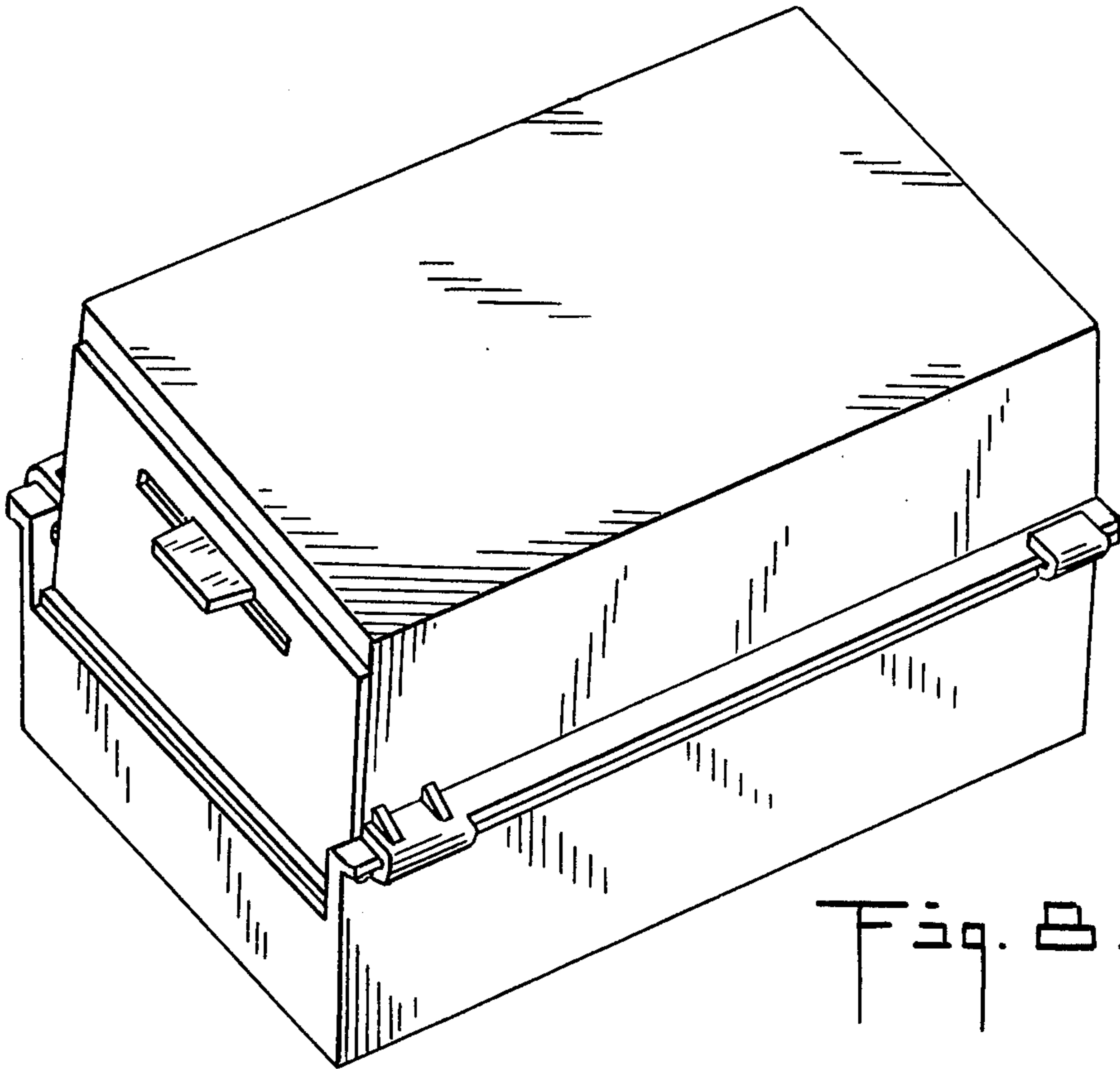
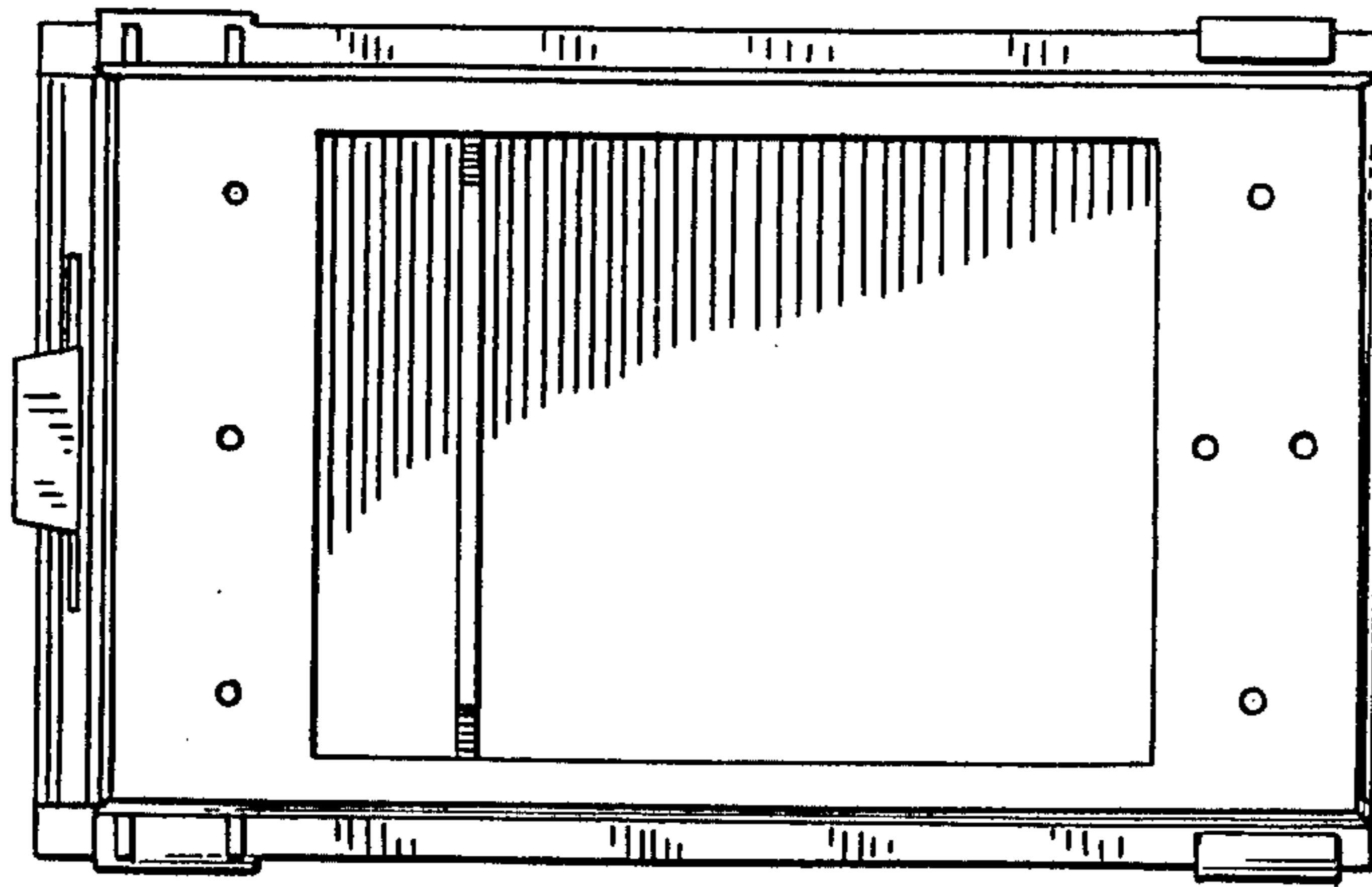


Fig. B.