

[54] **COLLAPSIBLE MODULAR WINEBIN UNIT**

[75] **Inventor: Wilhelmus Savelkouls, Den Dungen, Netherlands**

[73] **Assignee: 3 S Beton B.V., Grave, Netherlands**

[\*\*] **Term: 14 Years**

[21] **Appl. No.: 306,849**

[22] **Filed: Sep. 29, 1981**

[30] **Foreign Application Priority Data**

Apr. 2, 1981 [XB] Benelux ..... 55613 00

[52] **U.S. Cl. .... D6/467; D6/478; D6/509**

[58] **Field of Search ..... D6/85, 188, 181, 186, D6/189; 211/74, 188, 194; D7/70, 71**

[56] **References Cited**

**U.S. PATENT DOCUMENTS**

D. 201,414	6/1965	Johns .....	D6/188
D. 228,995	11/1973	Legresley .....	D6/188
D. 230,932	3/1974	Izumi .....	D7/71
D. 232,340	8/1974	Lax .....	D6/188
D. 242,011	10/1976	Robertson, Jr. ....	D6/189
D. 248,707	8/1978	Gitlitz .....	D6/188
D. 271,550	11/1983	McMillan .....	D6/188

*Primary Examiner*—Bernard Ansher  
*Assistant Examiner*—Carmen H. Vales

[57] **CLAIM**

The ornamental design for a collapsible modular winebin unit, substantially as shown and described.

**DESCRIPTION**

FIG. 1 is a front elevational view of a collapsible modular winebin unit showing my new design; FIG. 2 is a side elevational view thereof; FIG. 3 is a top plan view thereof; and FIG. 4 is an exploded perspective view of FIG. 1.

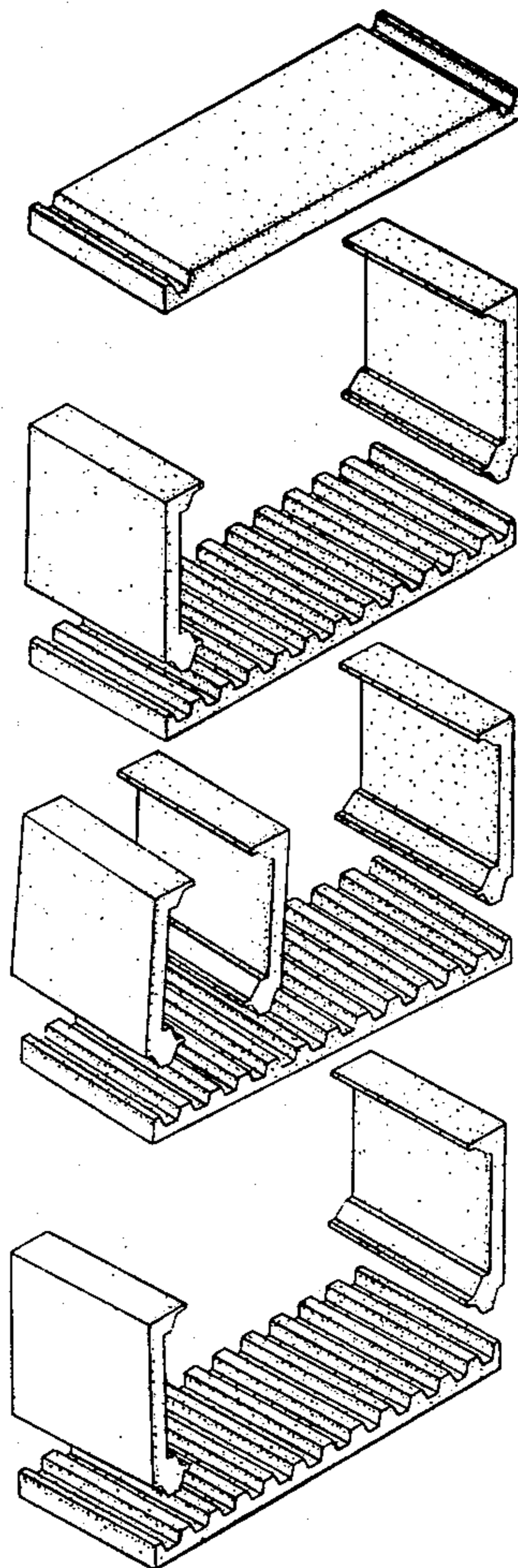


FIG. 1

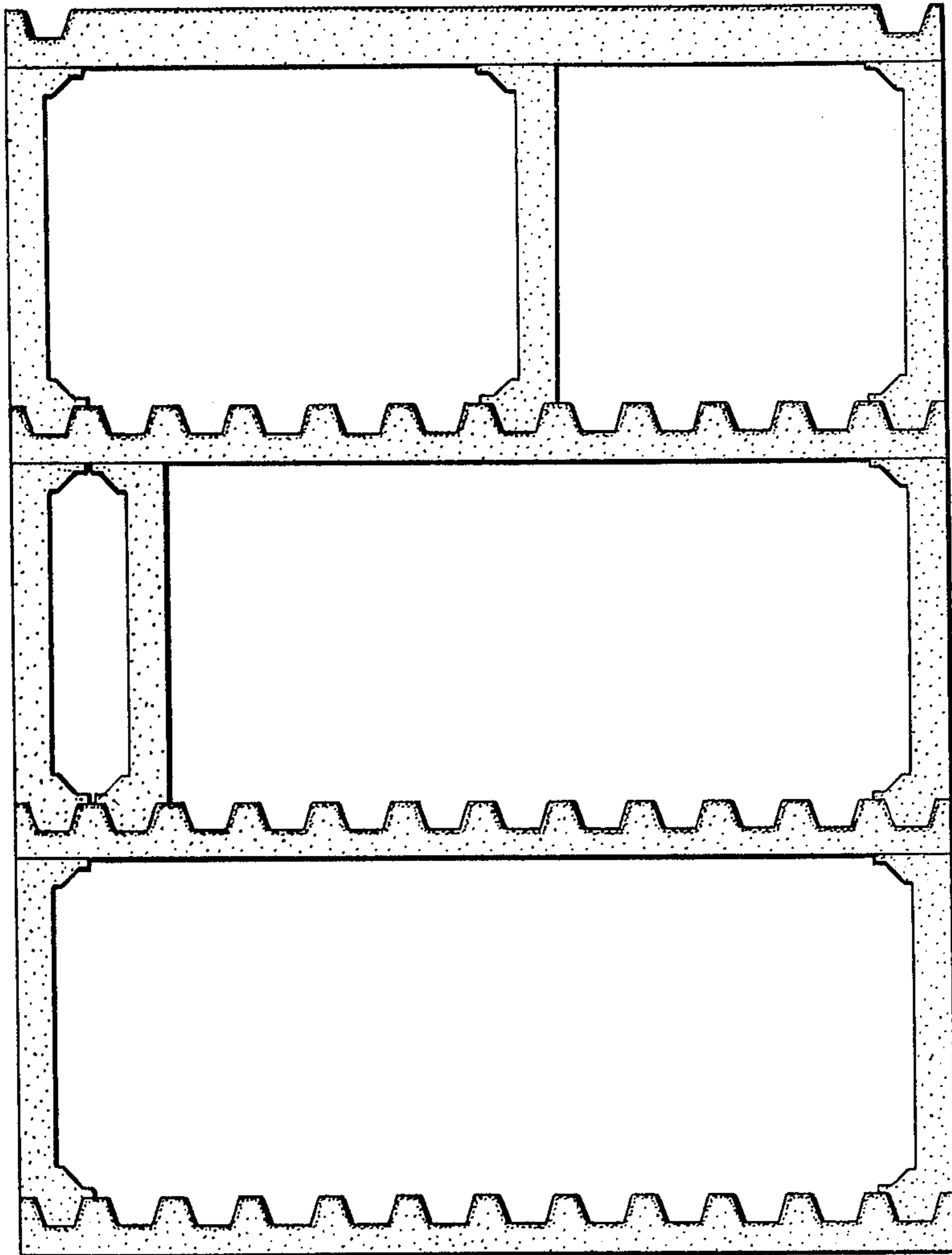


FIG. 2

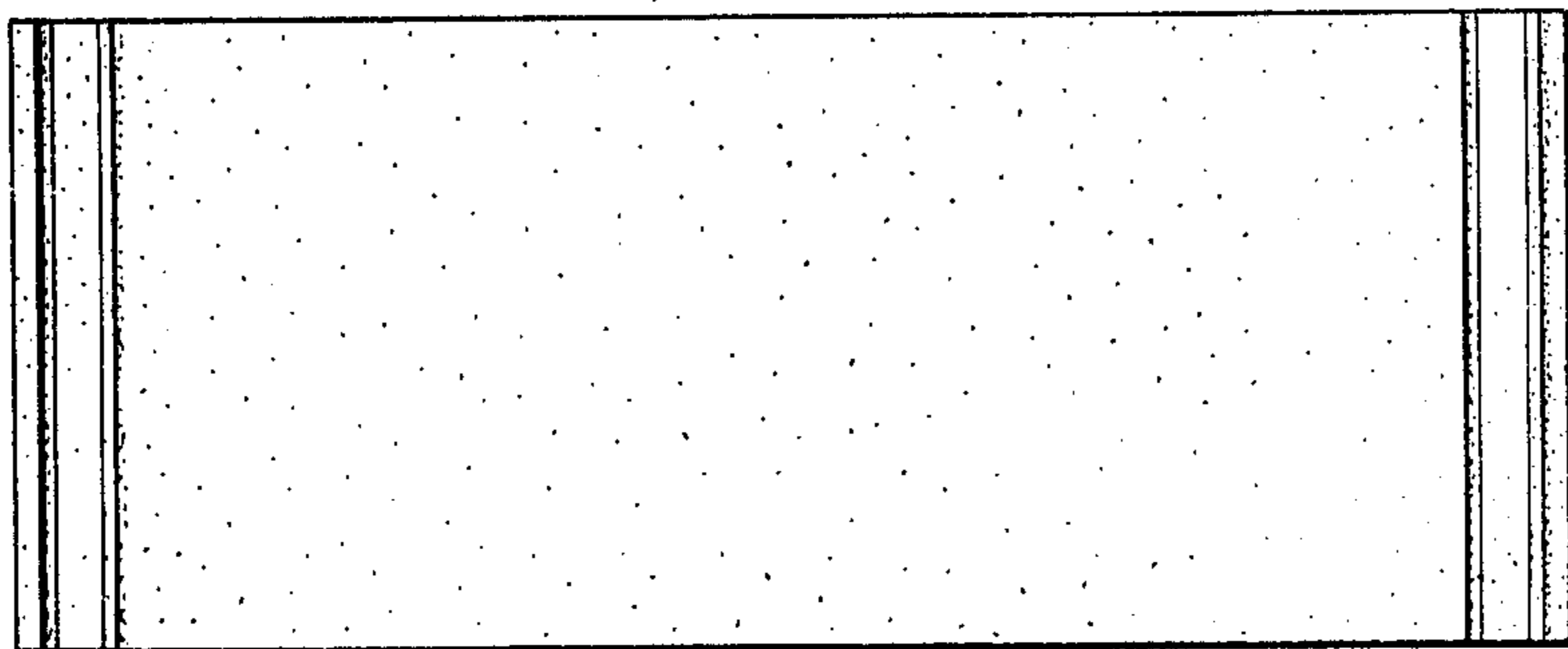
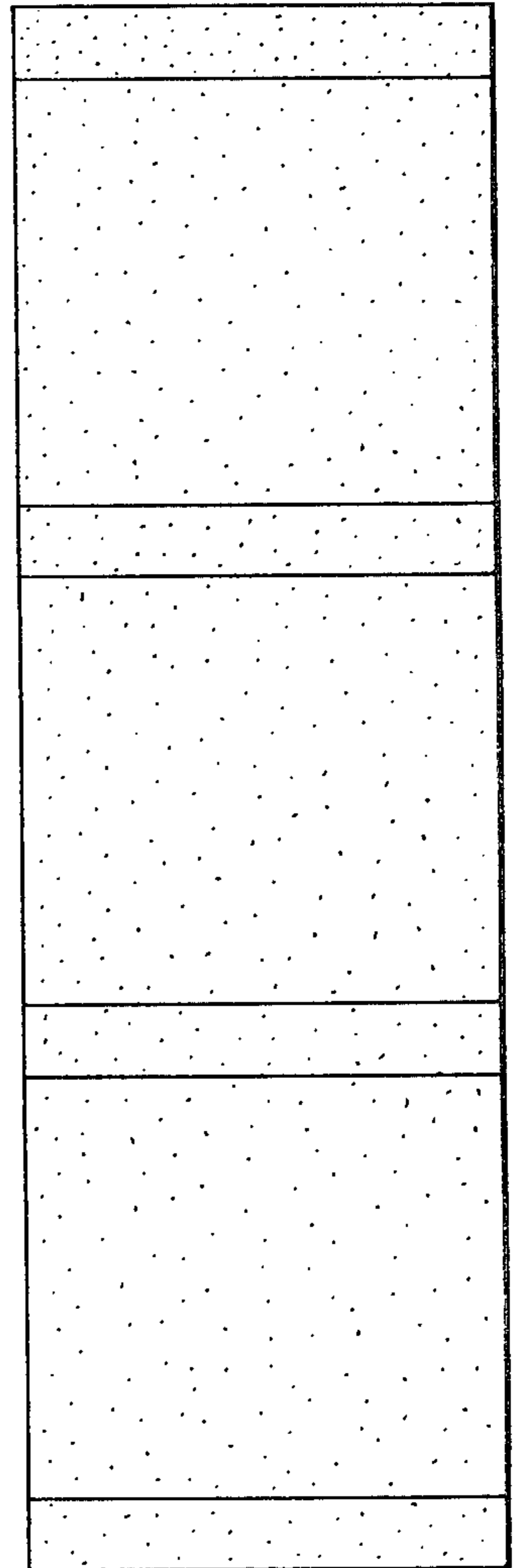


FIG. 3

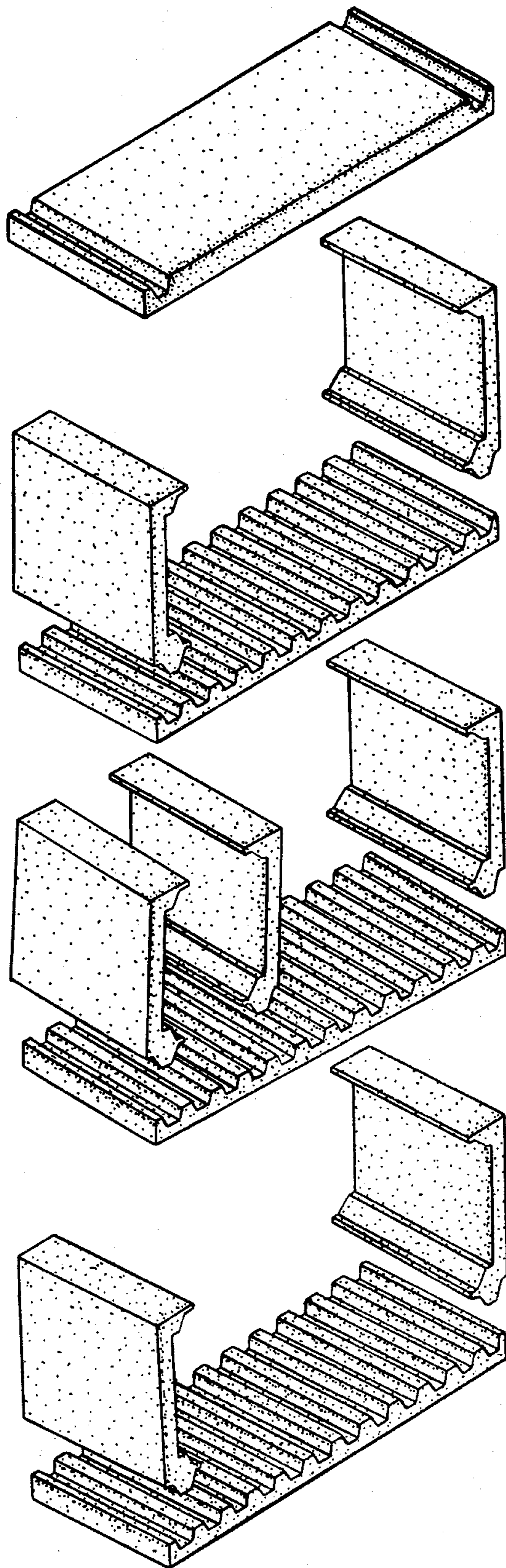


FIG. 2