

United States Patent [19]

Leo

[11] Patent Number: Des. 276,092

[45] Date of Patent: ** Oct. 23, 1984

[54] COMBINED COIN TRAY AND MESSAGE DISPLAY DEVICE

[75] Inventor: Daniel W. Leo, New York, N.Y.

[73] Assignee: Ledan, Inc., New York, N.Y.

[**] Term: 14 Years

[21] Appl. No.: 391,538

[22] Filed: Jun. 24, 1982

[52] U.S. Cl. D99/34; D19/20;
D19/78; D19/86; D19/87; D19/91

[58] Field of Search D19/20, 22, 65, 75,
D19/77, 78, 86, 87, 92; 206/0.8, 0.81; D99/34

[56] References Cited

U.S. PATENT DOCUMENTS

D. 47,129 3/1915 Brunhoff D99/34
D. 82,246 10/1930 Brunhoff D99/34
D. 173,761 12/1954 Meltzer D19/87

D. 175,190 7/1955 Reid D99/34
D. 196,548 10/1963 Nielsen D19/92
D. 205,871 9/1966 Youngs D19/87

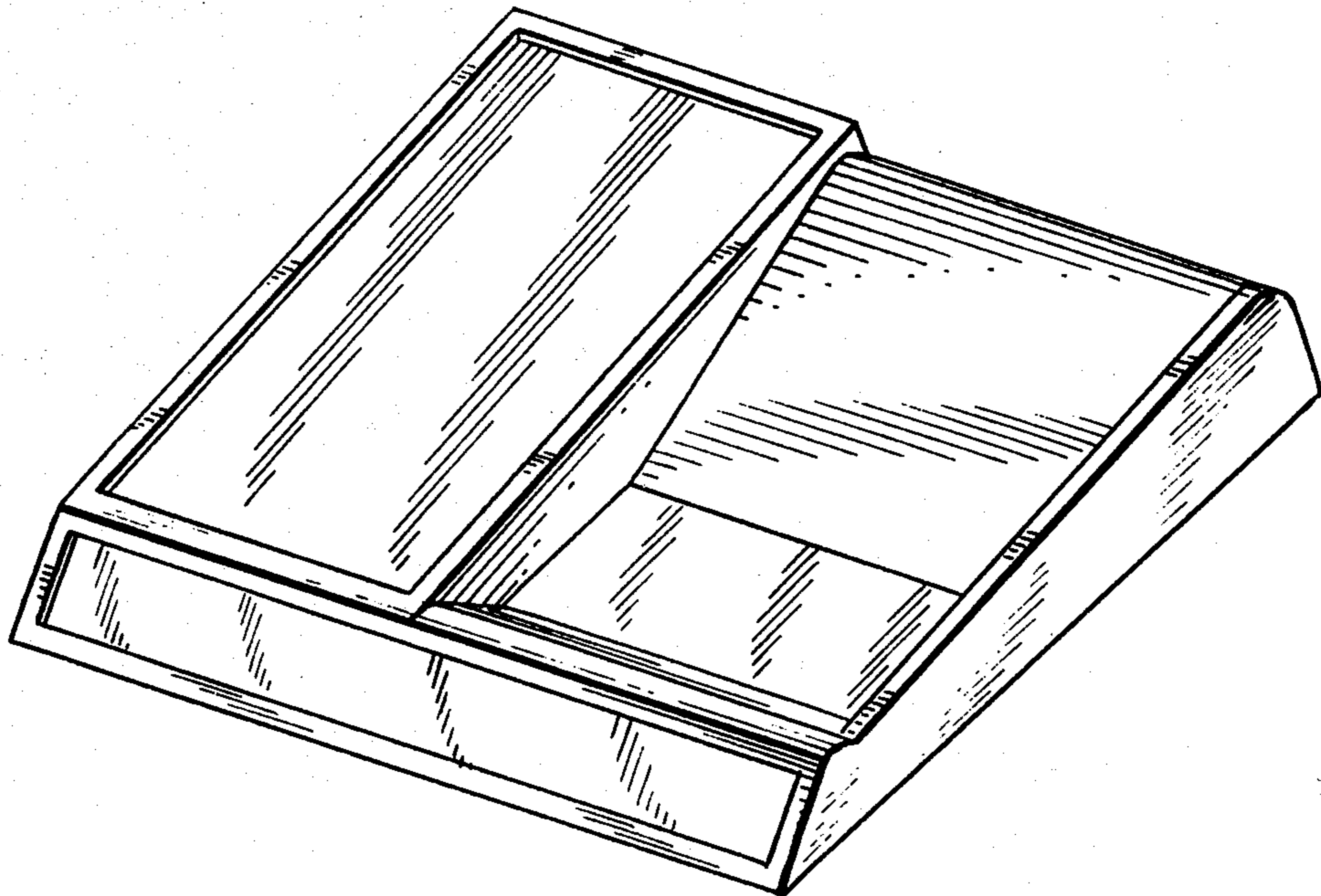
Primary Examiner—George P. Word
Attorney, Agent, or Firm—Charles E. Temko

[57] CLAIM

The ornamental design for a combined coin tray and message display device, substantially as shown and described.

DESCRIPTION

FIG. 1 is a perspective view of a combined coin tray and message display device showing my new design; FIG. 2 is an enlarged scale top plan view thereof; FIG. 3 is a front elevational view thereof; FIG. 4 is a side elevational view thereof, the opposite side being symmetrical; FIG. 5 is a rear elevational view thereof; and FIG. 6 is a bottom plan view thereof.



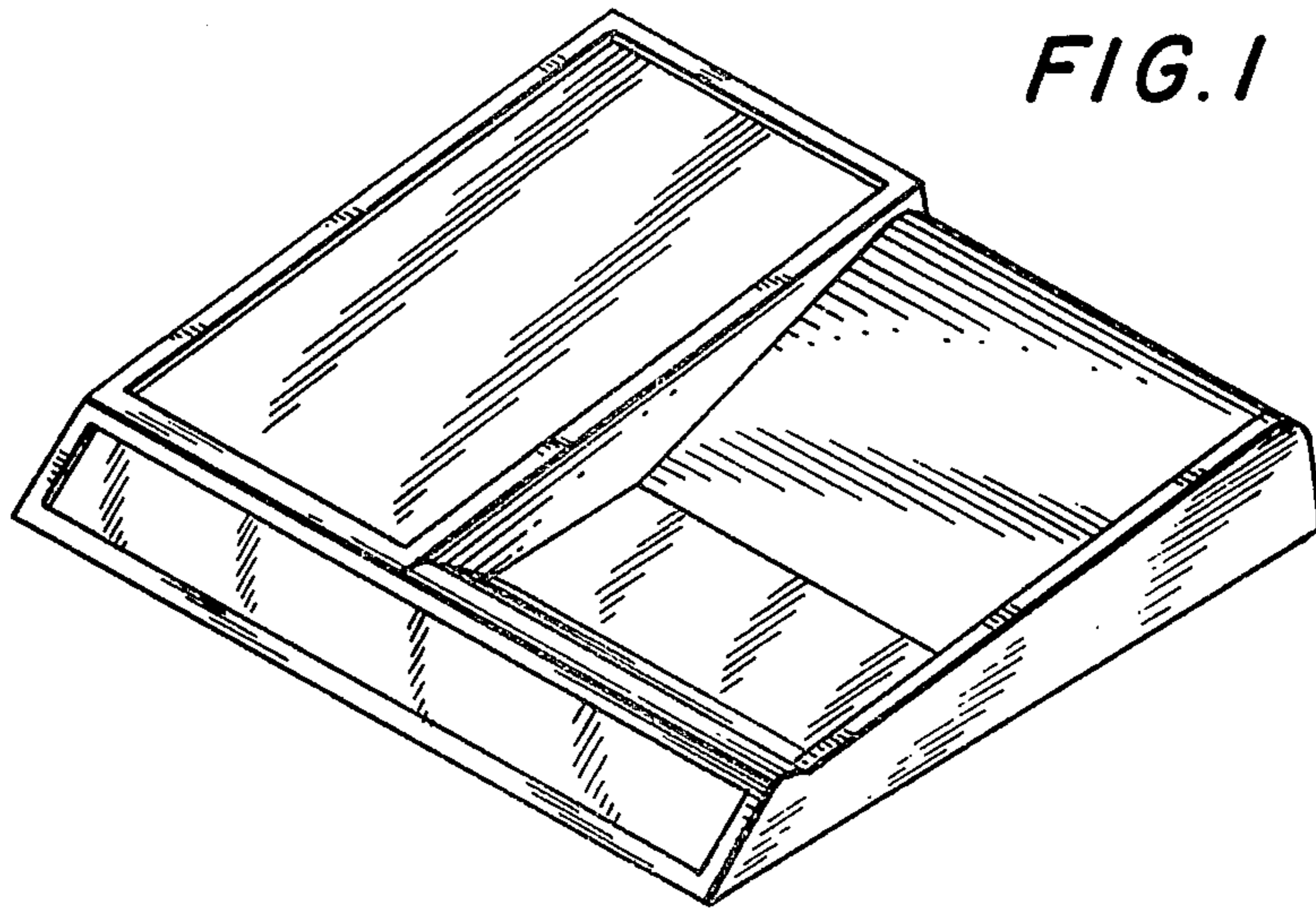


FIG. 2

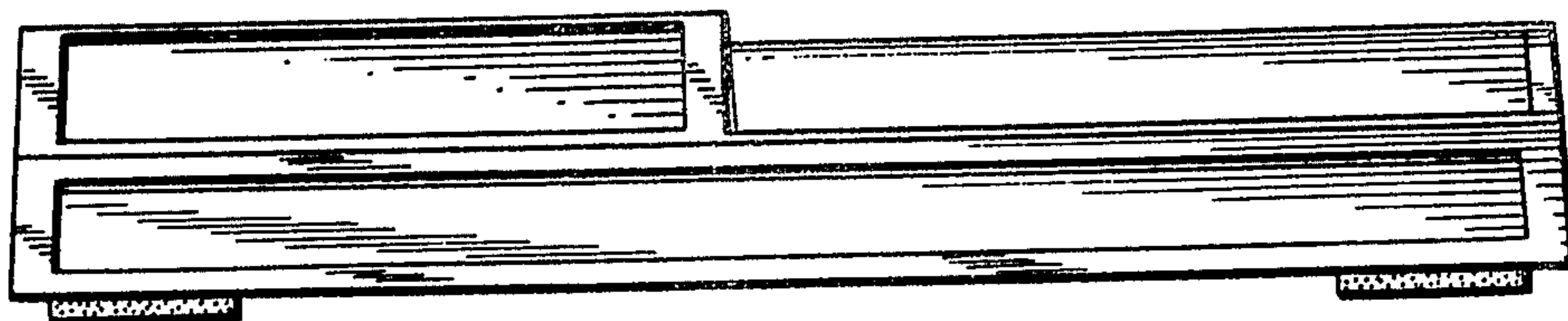
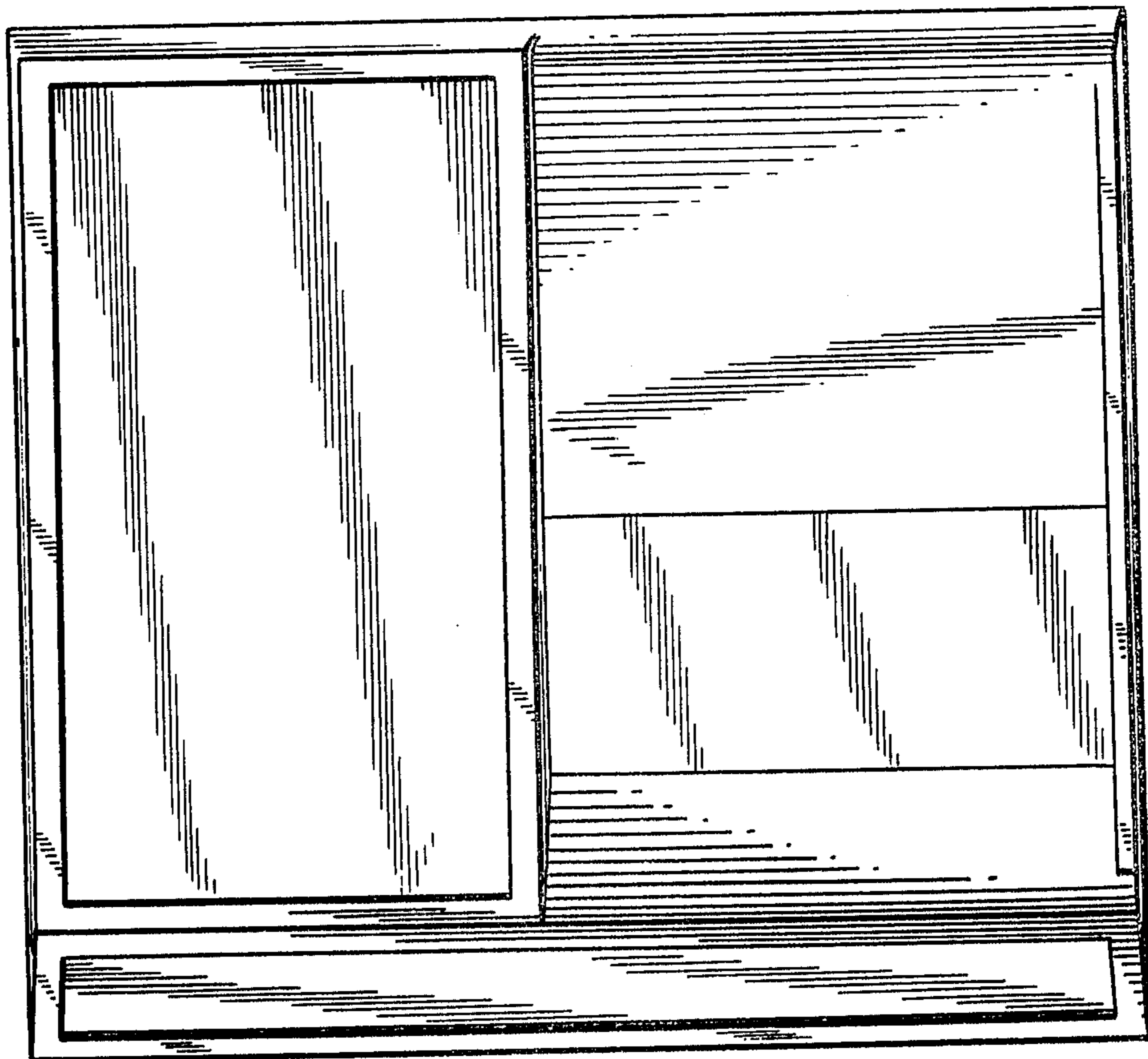


FIG. 3

FIG. 4

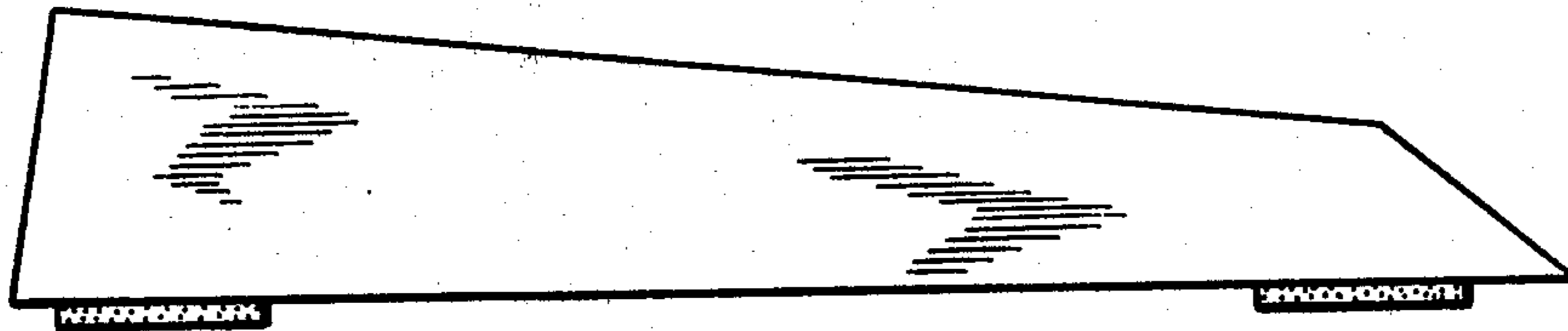


FIG. 5

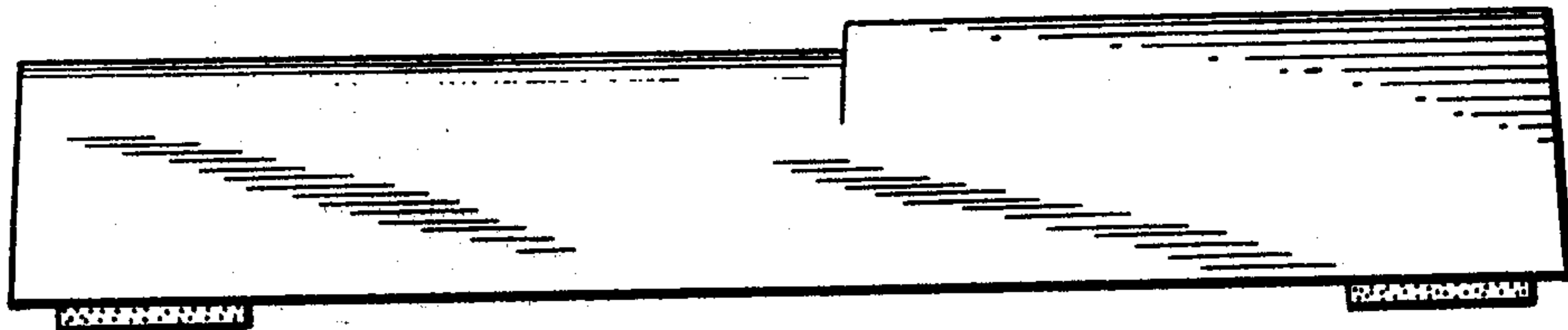


FIG. 6

