

United States Patent [19]

Gibson

[11] Patent Number: Des. 276,090

[45] Date of Patent: ** Oct. 23, 1984

[54] CONTAINER FOR CARRYING ARTICLES

[75] Inventor: David I. Gibson, Toronto, Canada

[73] Assignee: Nestier Canada, Inc., Ontario, Canada

[**] Term: 14 Years

[21] Appl. No.: 94,946

[22] Filed: Nov. 16, 1979

[52] U.S. Cl. D34/43

[58] Field of Search D99/44-50;
D3/30; 206/503-509, 514, 203; 220/62;
211/126

[56] **References Cited**

U.S. PATENT DOCUMENTS

D. 188,073 5/1960 Lovell D99/47
D. 209,624 12/1967 Hirota D99/49
D. 227,191 6/1973 Cape D99/47

D. 231,905 6/1974 Rehrig D99/47
1,462,640 7/1923 Hoffman 220/62
4,109,791 8/1978 Clipsin et al. 206/506

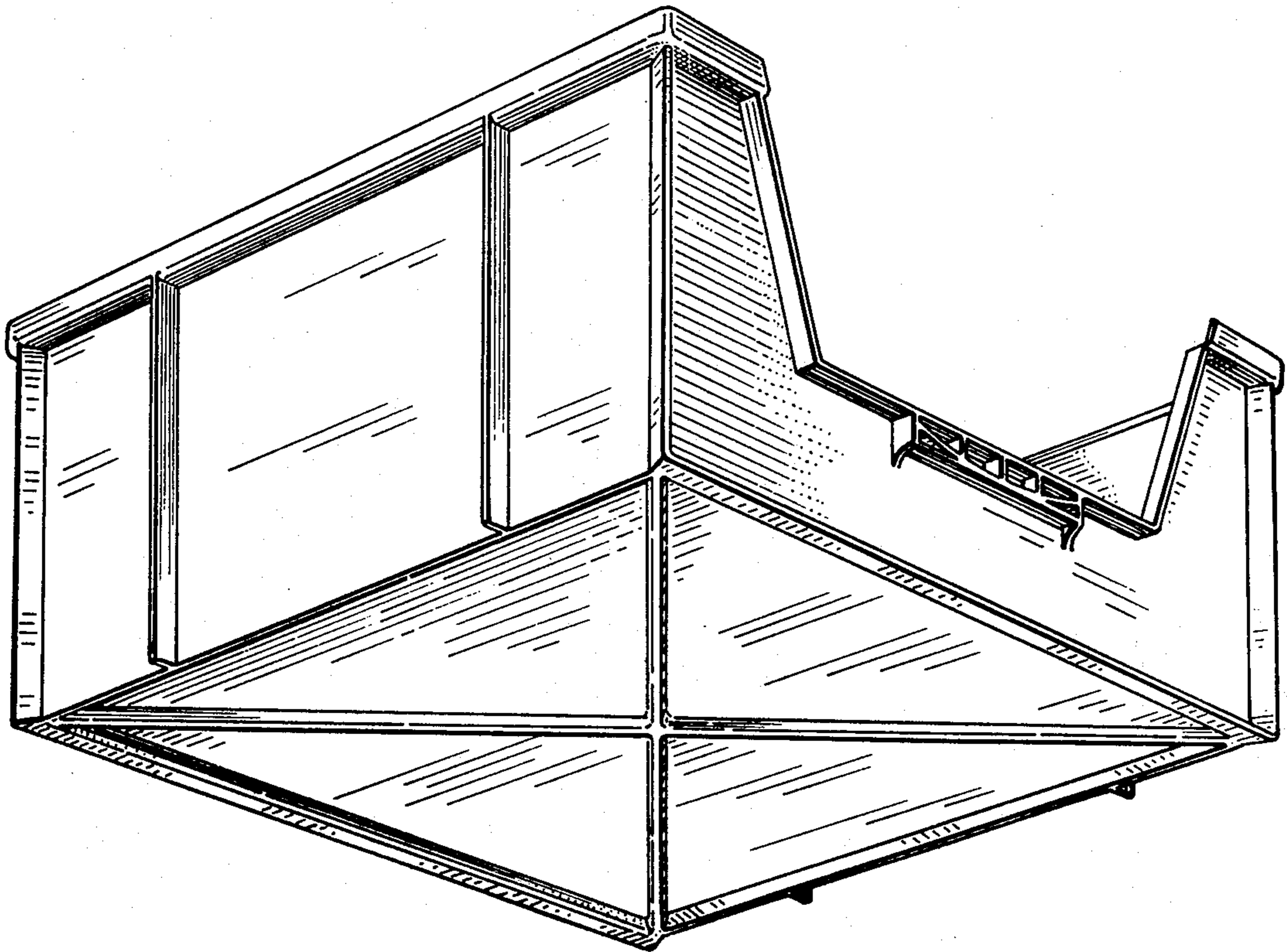
Primary Examiner—George P. Word
Attorney, Agent, or Firm—Thomas E. Beall, Jr.

[57] **CLAIM**

The ornamental design for a container for carrying articles, substantially as shown and described.

DESCRIPTION

FIG. 1 is a perspective view of a container for carrying articles showing my new design, the opposed side walls being identical to each other;
FIG. 2 is a bottom rear perspective view of the opposite end;
FIG. 3 is a top perspective view of an alternate embodiment of the container for carrying articles wherein opposite vertically ribbed side walls are identical; and
FIG. 4 is a bottom rear perspective view of the opposite end thereof.



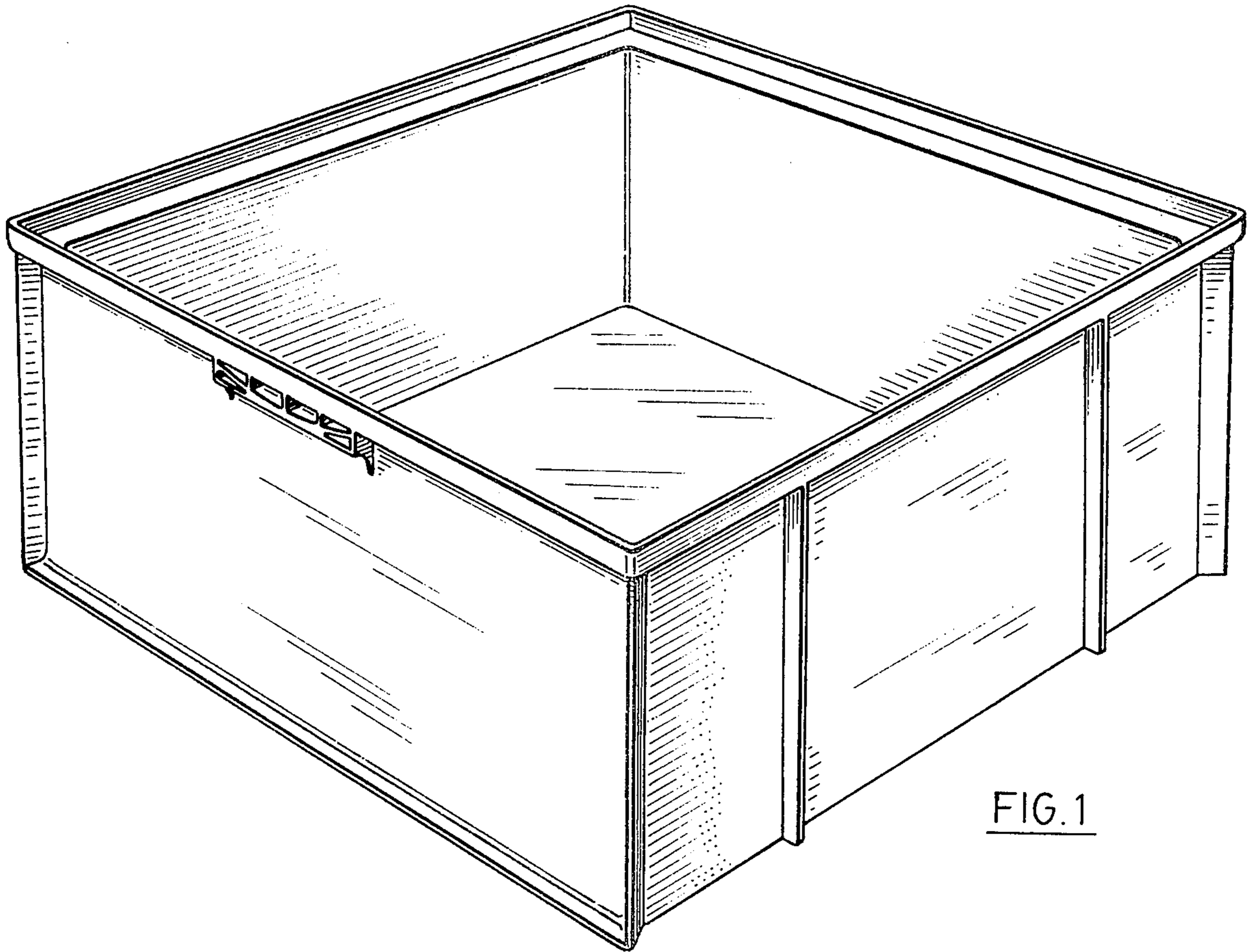


FIG. 1

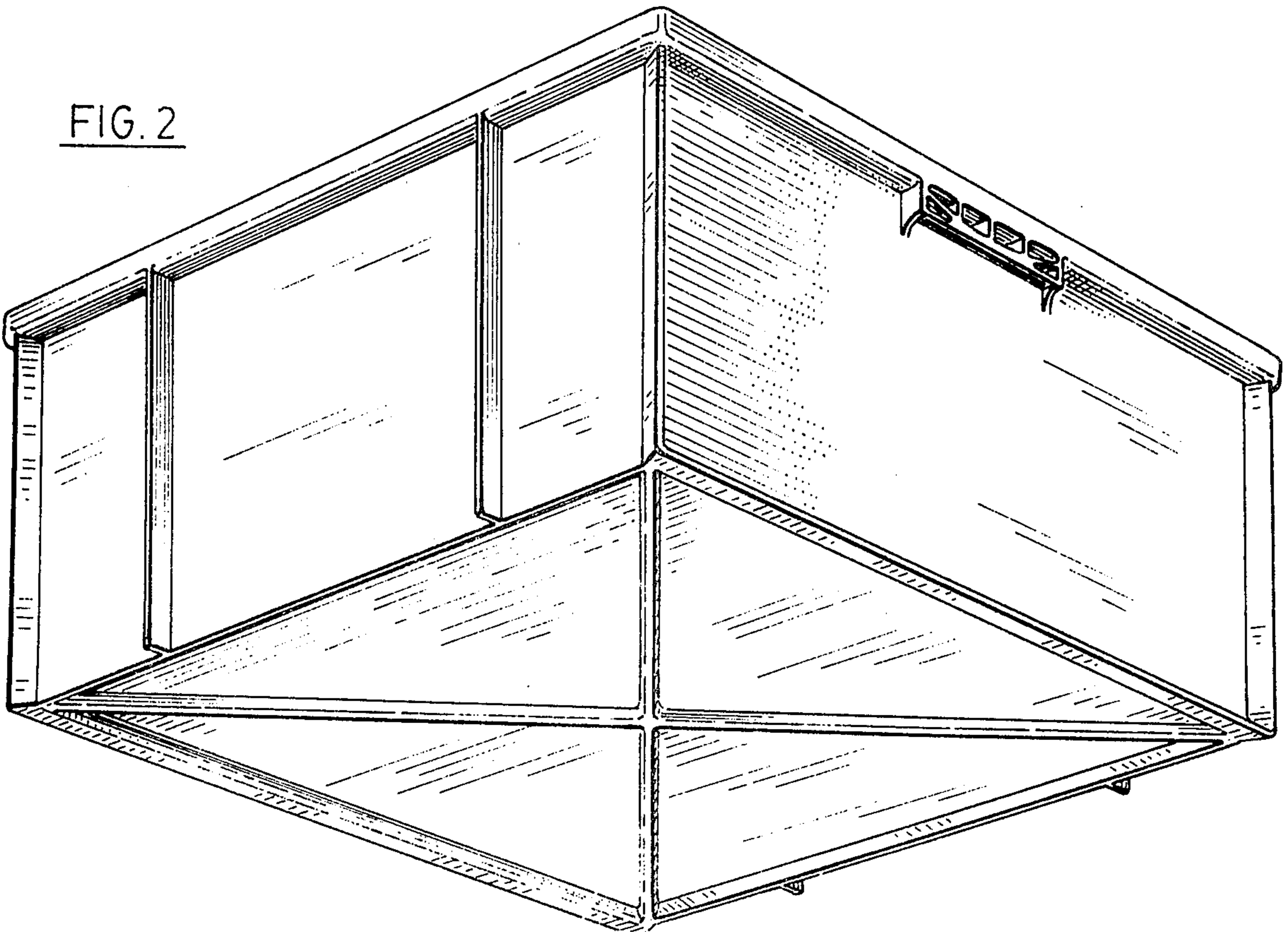


FIG. 2

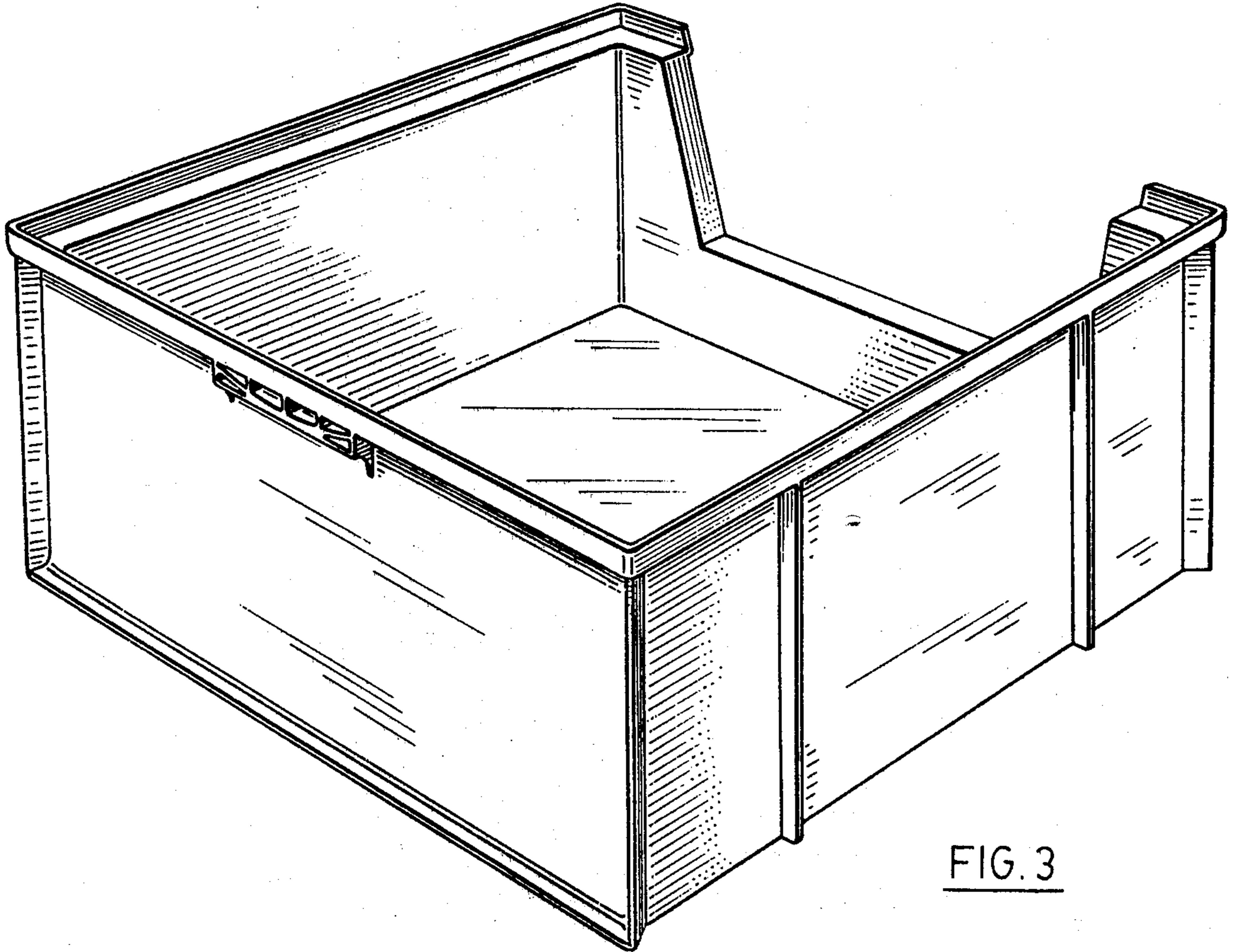


FIG. 3

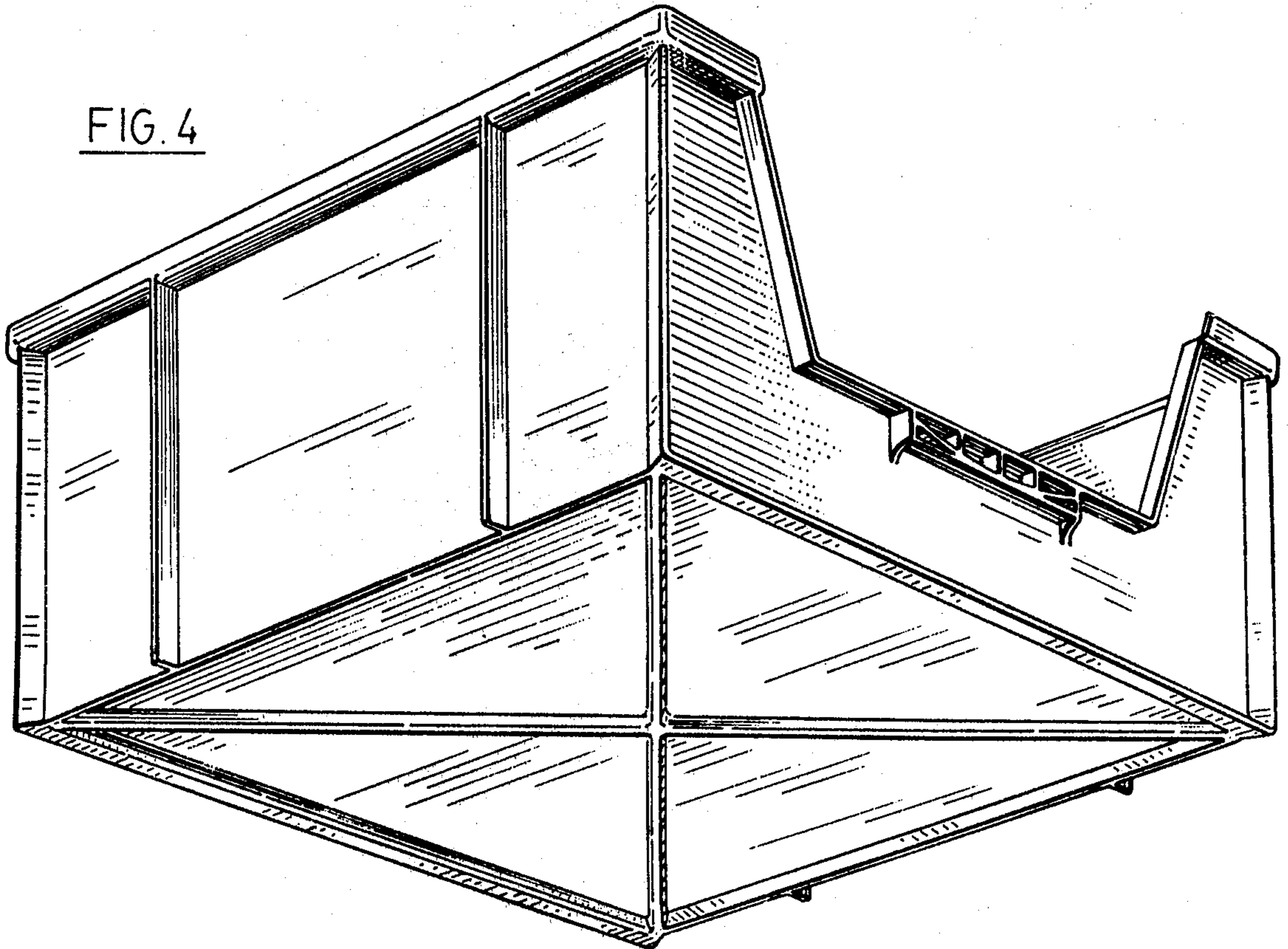


FIG. 4