

[54] **STORAGE RACK FOR ROLL PAPER PRODUCTS**

[76] **Inventor: John E. Hutchins, 249 S. Hwy. 101, Suite 365, Solana Beach, Calif. 92075**

[**] **Term: 14 Years**

[21] **Appl. No.: 343,063**

[22] **Filed: Jan. 27, 1982**

[52] **U.S. Cl. D34/21; D6/465**

[58] **Field of Search D6/181, 85, 179, 184, D6/185; D34/21**

[56] **References Cited**

U.S. PATENT DOCUMENTS

D. 191,583	10/1961	Goldman	D34/21
D. 207,308	4/1967	Bell	D34/21
D. 209,490	12/1967	Baxter	D34/21
D. 215,019	8/1969	Larson	D34/21
2,972,418	2/1961	Burns et al.	D34/21 X

Primary Examiner—Bruce W. Dunkins

Attorney, Agent, or Firm—Ralph S. Branscomb

[57] **CLAIM**

The ornamental design for a storage rack for roll paper products, as shown and described.

DESCRIPTION

FIG. 1 is an overall perspective view of a storage rack for roll paper products revealing the top, front and left side thereof showing my new, original, and ornamental design;

FIG. 2 is a top plan view of the drawing;

FIG. 3 is a bottom plan view of the design taken along line 3—3 of FIG. 5;

FIG. 4 is a elevational right side view of the rolled drawing storage rack;

FIG. 5 is a rear elevational view of the design;

FIG. 6 is a sectional view taken along line 6—6 of FIG. 7;

FIG. 7 is a sectional view taken along line 7—7 of FIG. 4; and

FIG. 8 is a sectional view shown broken away from along line 8—8 of FIG. 5.

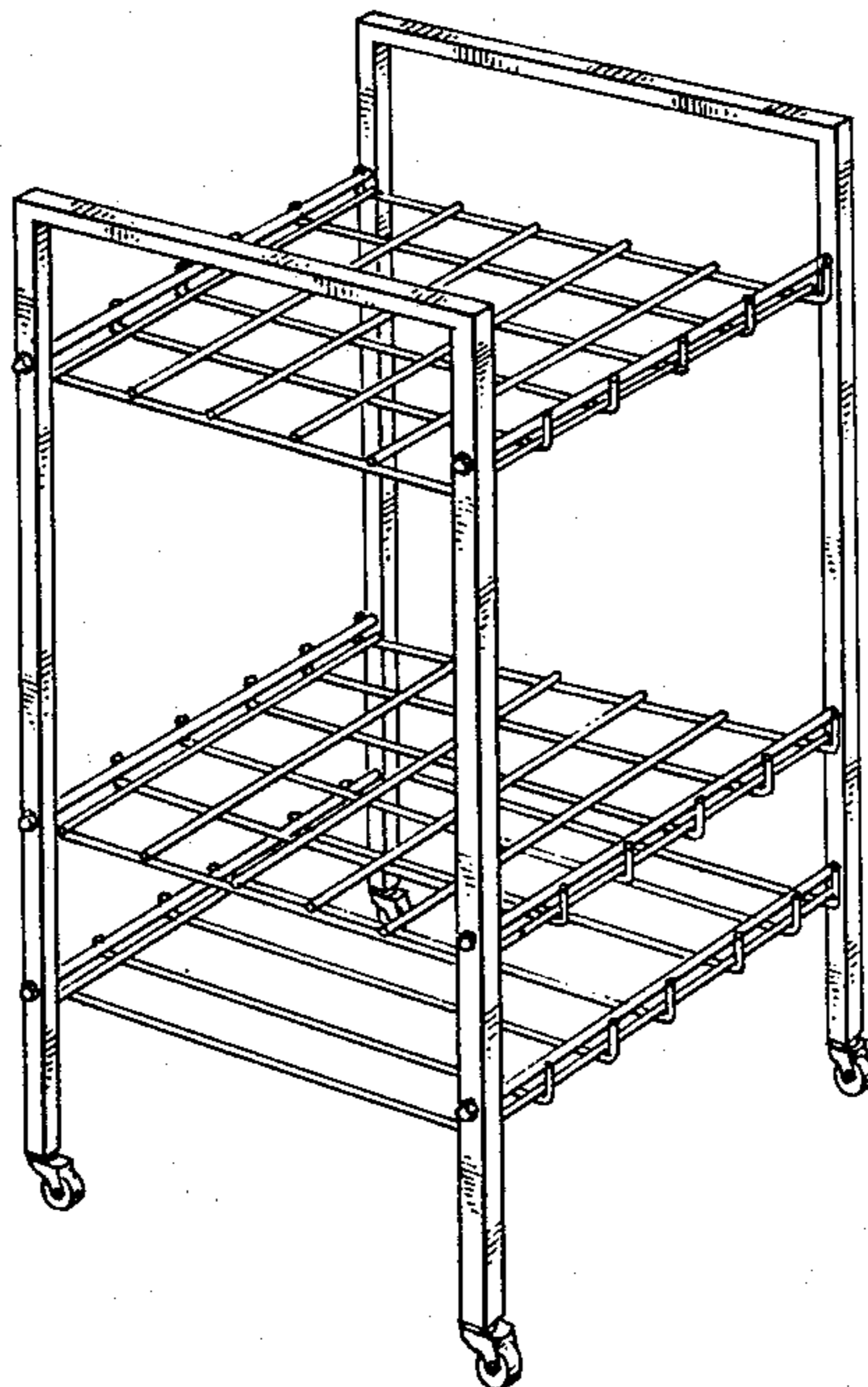


Fig. 1

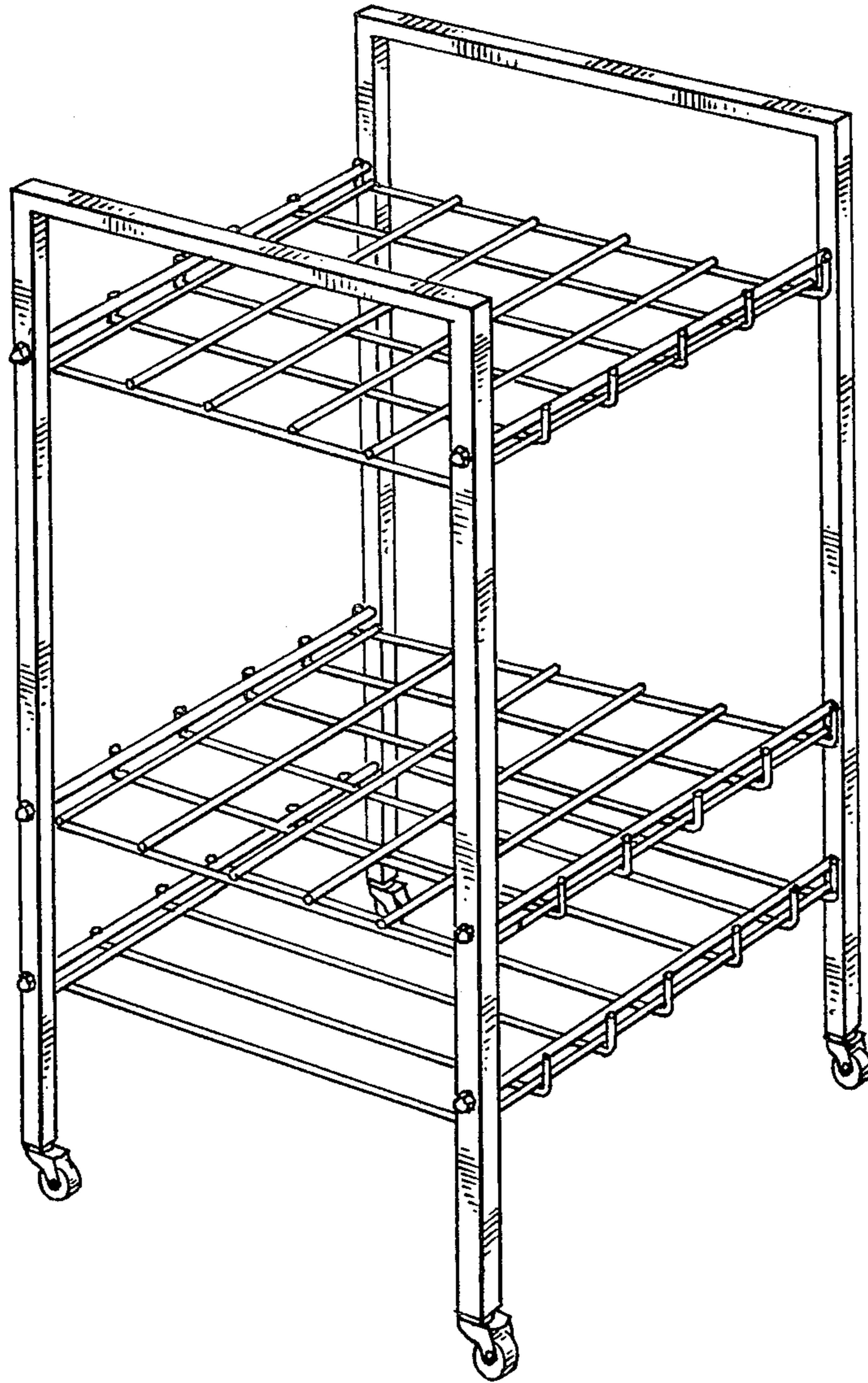


Fig. 2

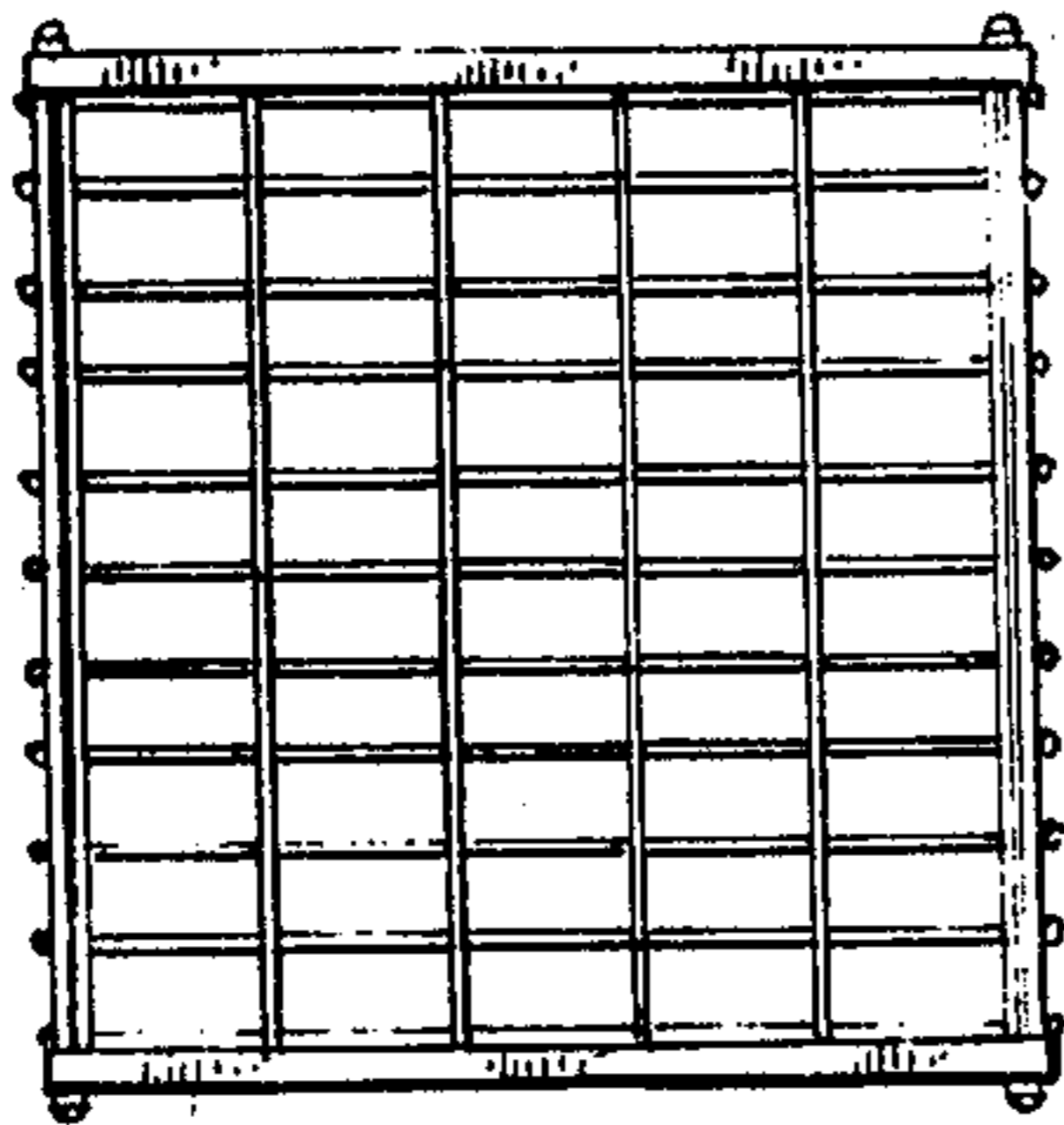


Fig. 3

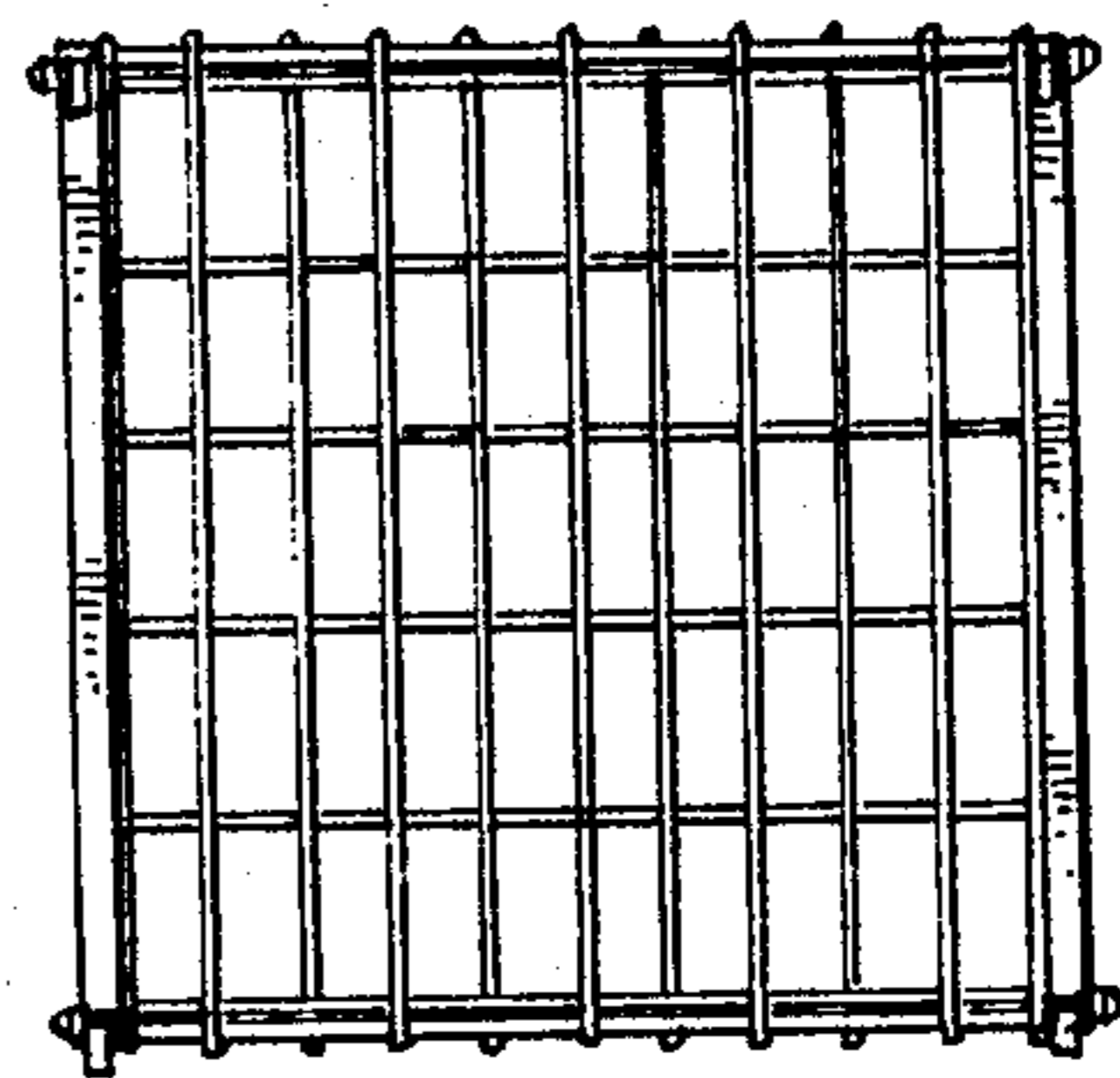


Fig. 6

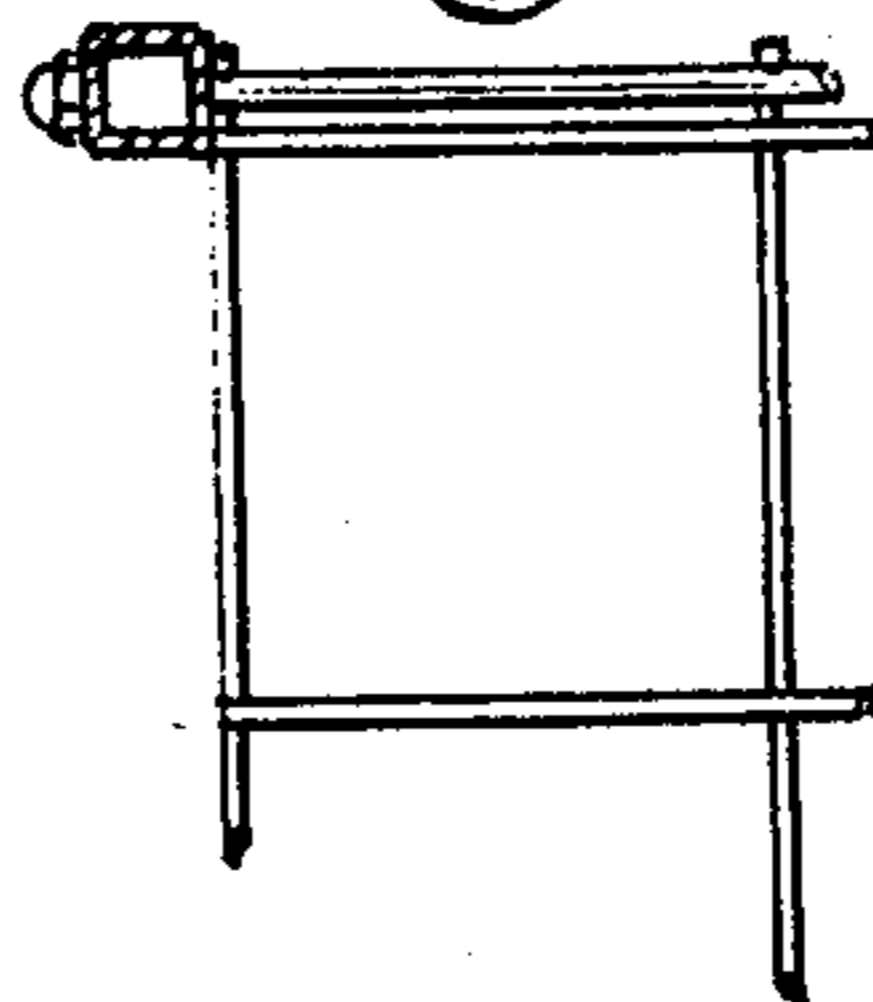


Fig. 4

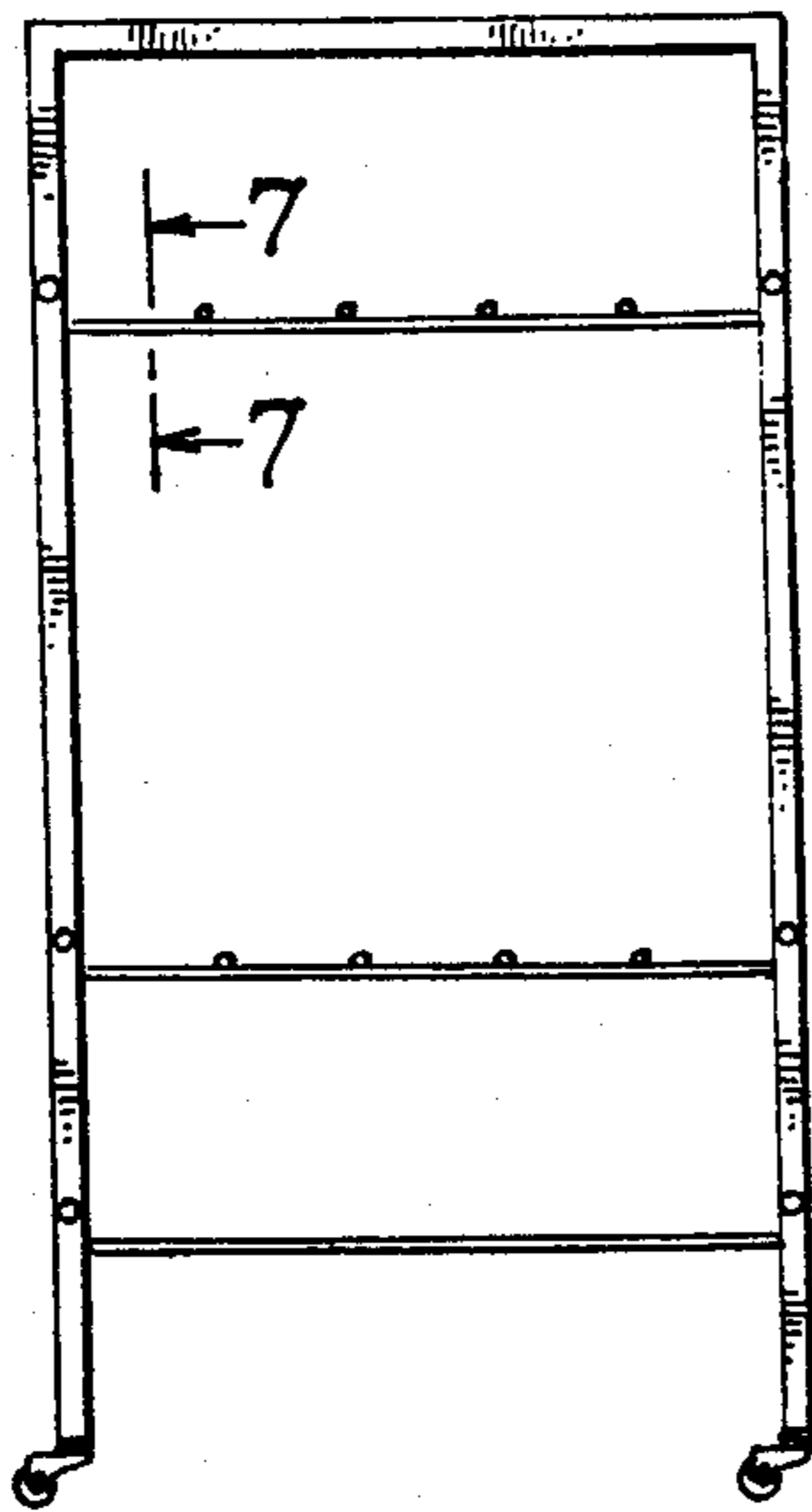


Fig. 5

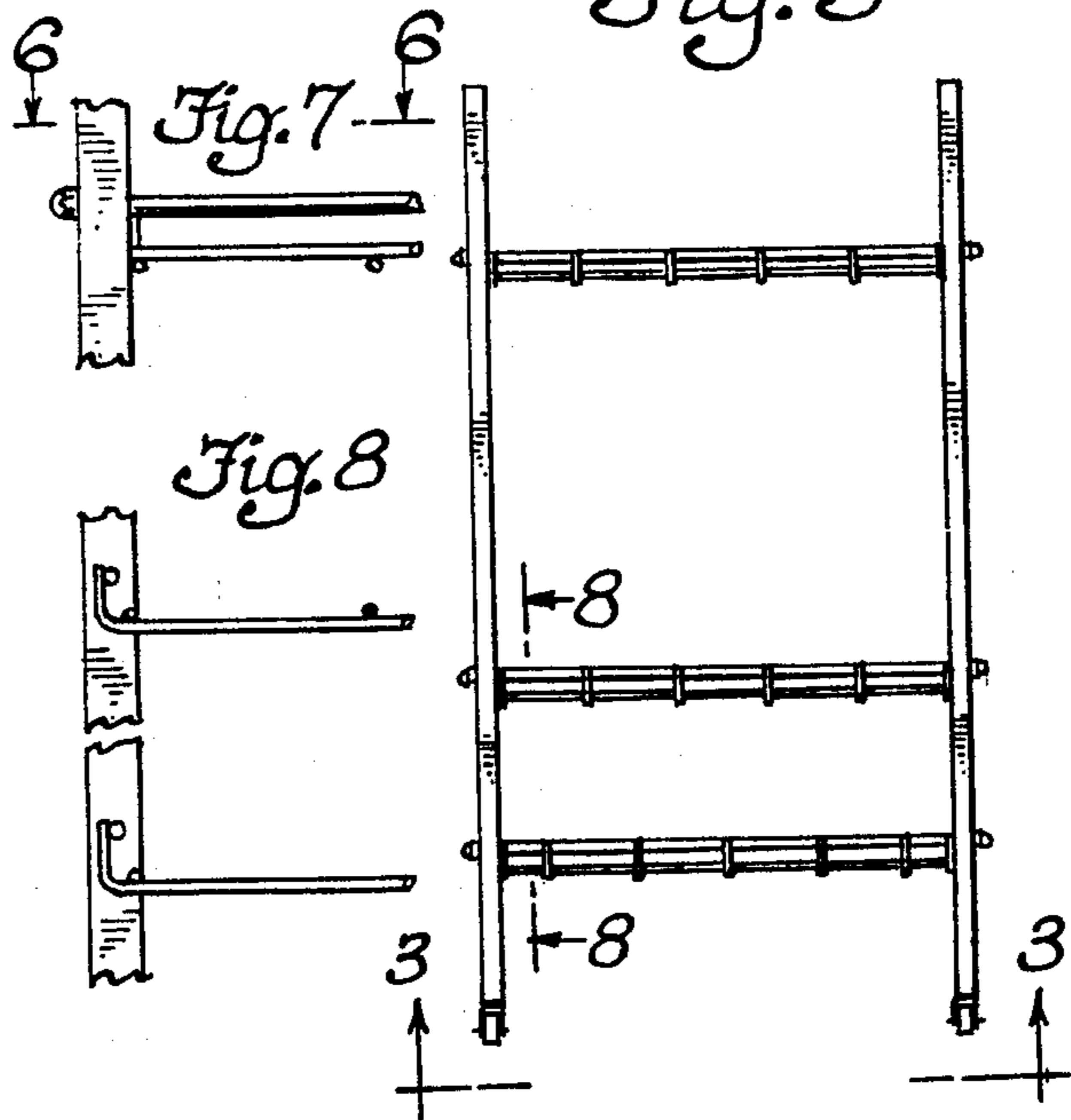


Fig. 8

