

United States Patent [19]

Ernest et al.

[11] Patent Number: **Des. 276,086**

[45] Date of Patent: **** Oct. 23, 1984**

[54] **CURLER/STYLER**

[75] Inventors: **Robert O. Ernest, Oak Park; Douglas G. Long, Lombard, both of Ill.**

[73] Assignee: **Sunbeam Corporation, Oak Brook, Ill.**

[**] Term: **14 Years**

[21] Appl. No.: **397,385**

[22] Filed: **Jul. 12, 1982**

[52] U.S. Cl. **D28/35**

[58] Field of Search **D28/9-18, D28/35, 37, 55; 219/222, 225; 132/7, 9, 33 R, 33 A, 33 G, 37 R, 37 A**

[56] **References Cited**

U.S. PATENT DOCUMENTS

- D. 132,549 5/1942 Jordan D28/35
- D. 160,597 10/1950 Hawk D28/55
- D. 239,663 4/1976 Long D28/35 X

- D. 251,205 2/1979 Ergaver et al. D28/13 X
- 1,056,987 3/1913 Gough 219/222 X
- 2,110,372 3/1938 Unwin 132/33 R
- 2,318,972 5/1943 Simas D28/18 X
- 2,376,448 5/1945 Neugass D28/55 X

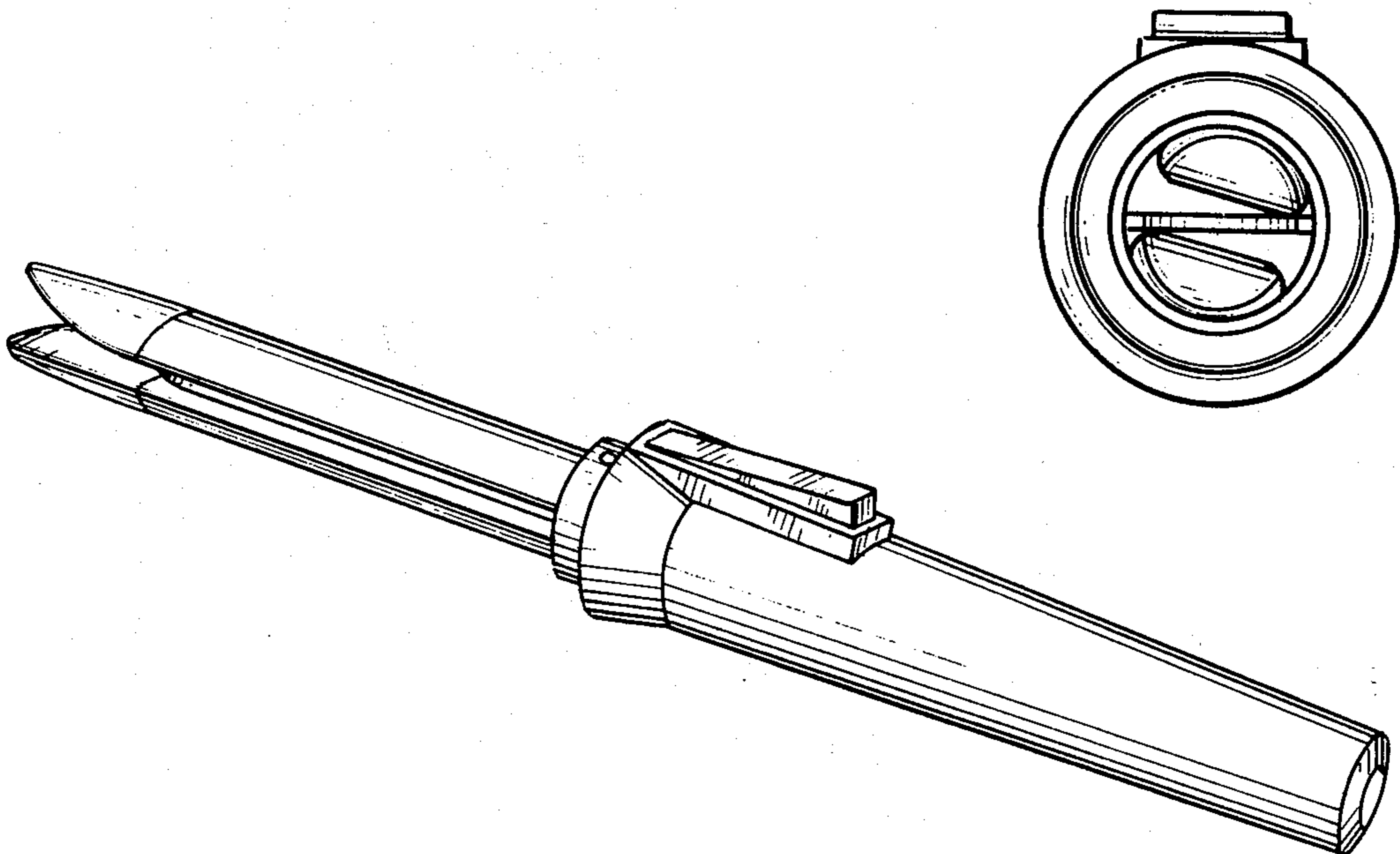
Primary Examiner—Louis S. Zarfaz
Attorney, Agent, or Firm—Clifford A. Dean; Neil M. Rose; Robert J. Fox

[57] **CLAIM**

The ornamental design for a curler/styler, as shown and described.

DESCRIPTION

FIG. 1 is a perspective view of a curler/styler showing our new design;
FIG. 2 is a top plan view thereof;
FIG. 3 is a side elevational view of the side opposite the side shown in FIG. 1;
FIG. 4 is a bottom plan view thereof;
FIG. 5 is a front end elevational view thereof; and
FIG. 6 is a rear end elevational view thereof.



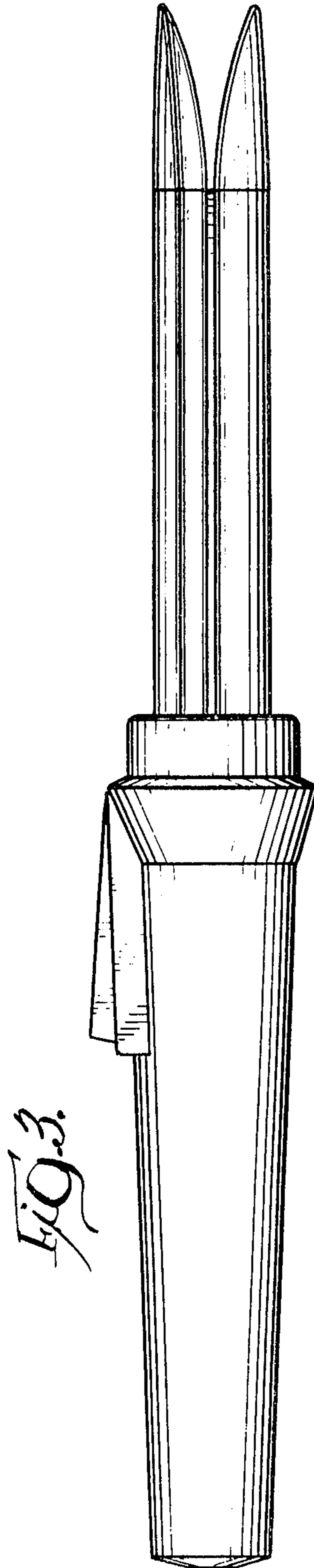
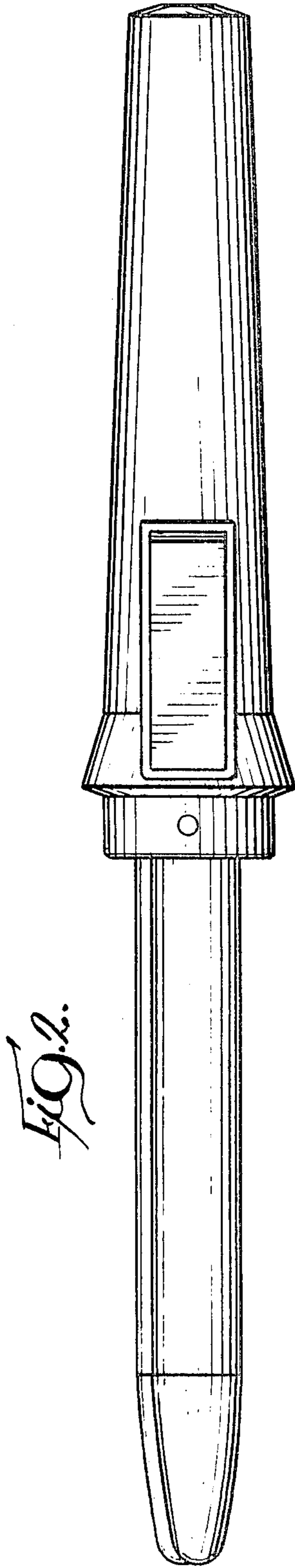
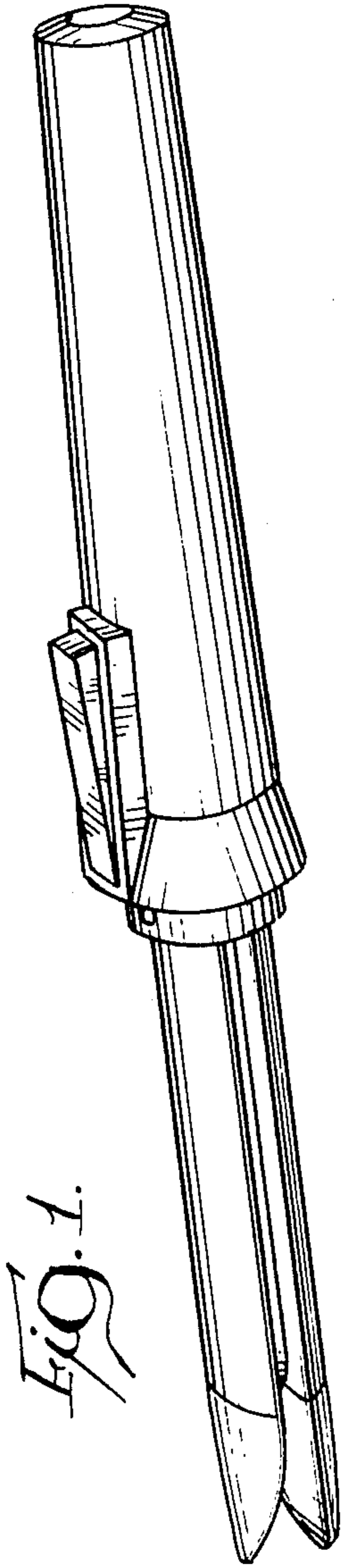


FIG. 4

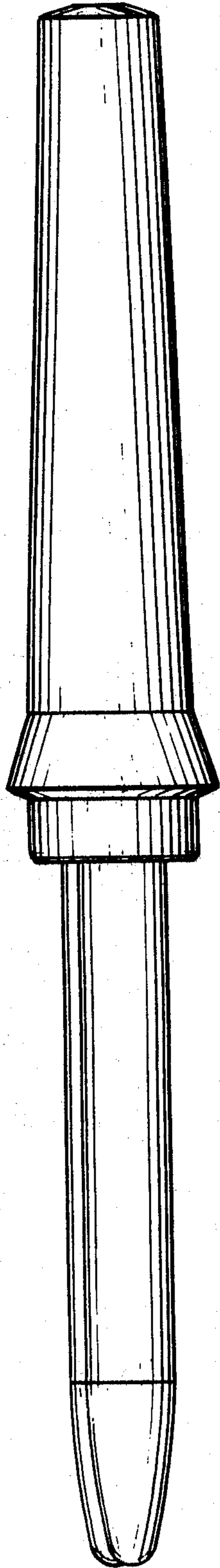


FIG. 5

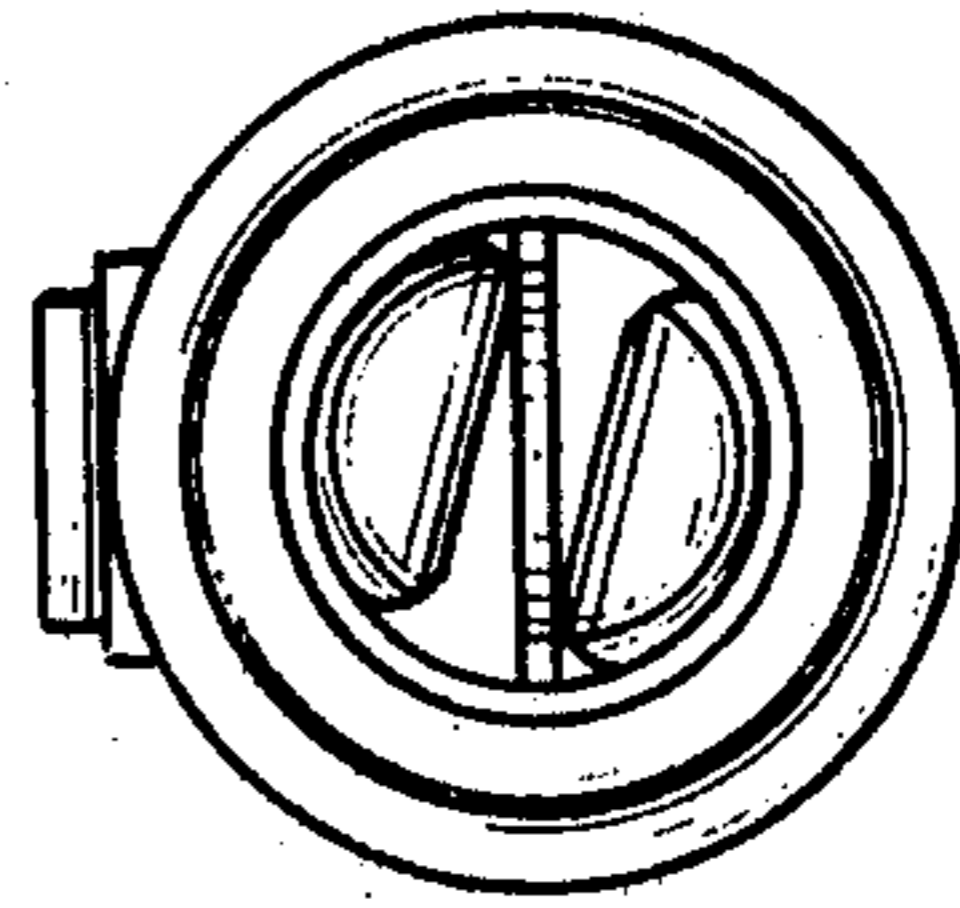


FIG. 6

