

[54] **BUILDING BLOCK**

[76] **Inventors:** **John N. Rassias**, 33 SE. Fourth St., Boca Raton, Fla. 33432; **Cecily M. Clark**, 565 Park Ave., New York, N.Y. 10021

[**] **Term:** **14 Years**

[21] **Appl. No.:** **428,884**

[22] **Filed:** **Sep. 29, 1982**

[52] **U.S. Cl.** **D25/91**

[58] **Field of Search** **D25/80, 86, 89, 91-94;**
405/284; 52/233, 314, 316

[56] **References Cited**

U.S. PATENT DOCUMENTS

1,953,154 4/1934 Cram 405/284 X
4,016,693 4/1977 Warren D25/93 X

OTHER PUBLICATIONS

Architectural Precast Concrete, ©1973, p. 54, FIG. 3.3.17.

Primary Examiner—A. Hugo Word
Attorney, Agent, or Firm—Buell, Blenko, Ziesenheim & Beck

[57] **CLAIM**

The ornamental design for a building block, as shown.

DESCRIPTION

FIG. 1 is an isometric view of a building block according to the invention;
FIG. 2 is a side elevation of a building block according to the invention;
FIG. 3 is a top plan view of a building block according to the invention; and
FIG. 4 is an end elevation of a building block according to the invention.

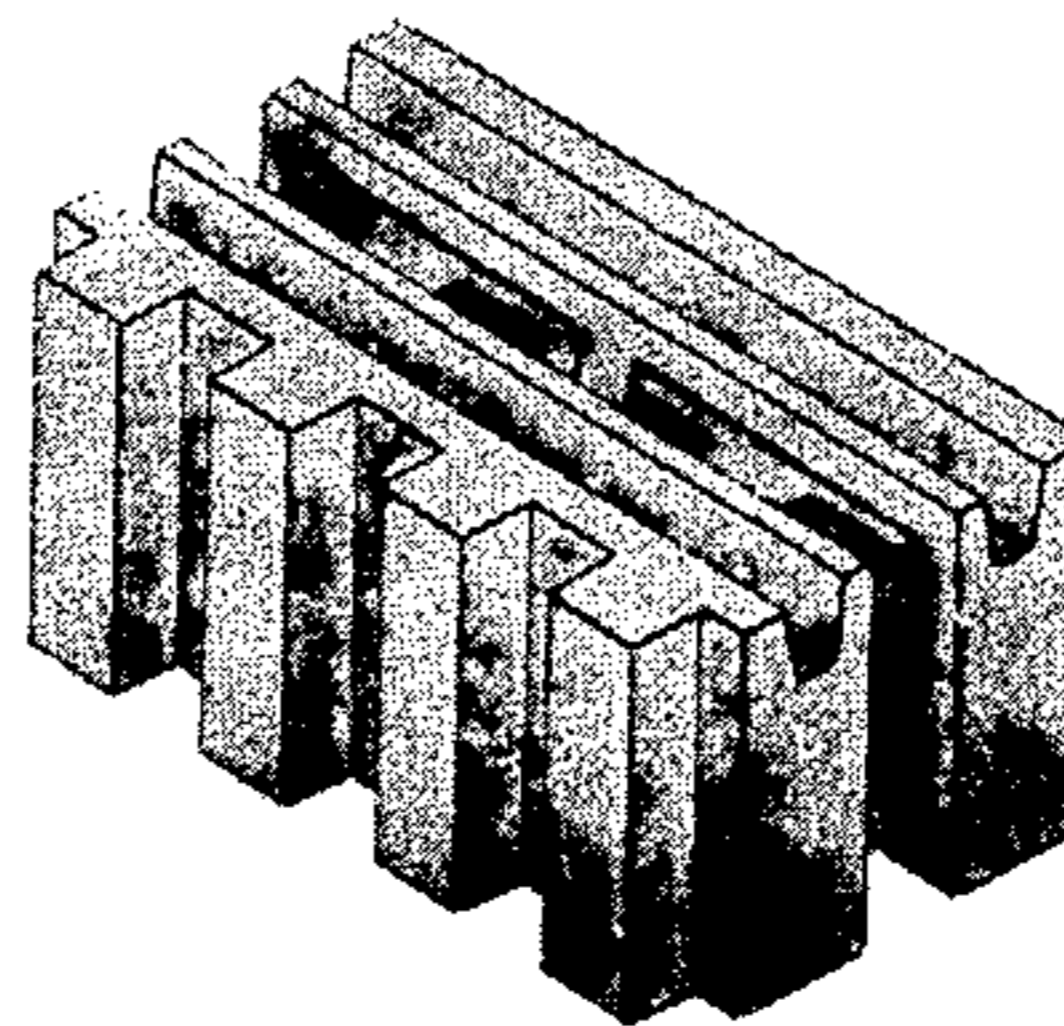


Fig. 1.

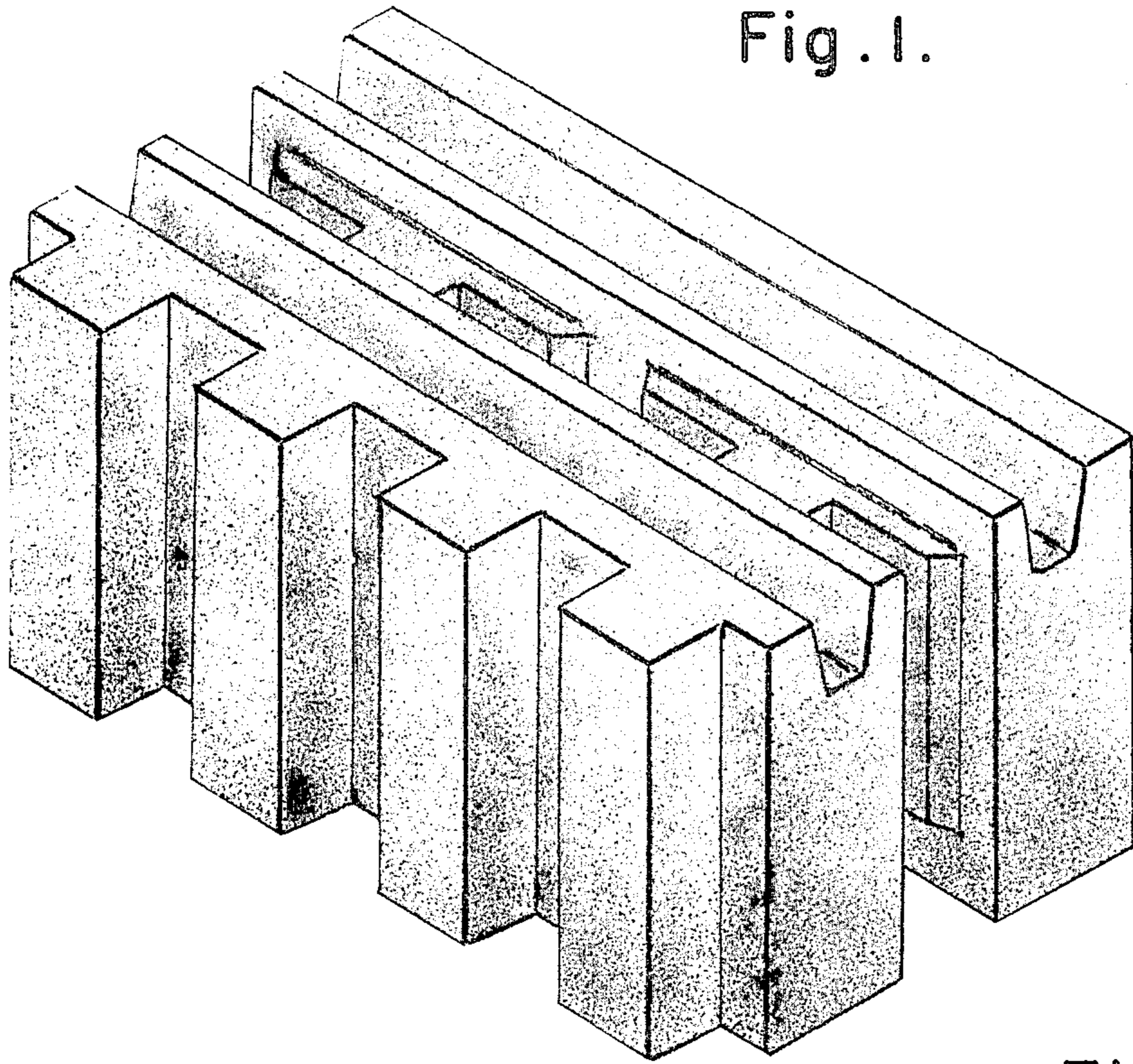


Fig. 2.

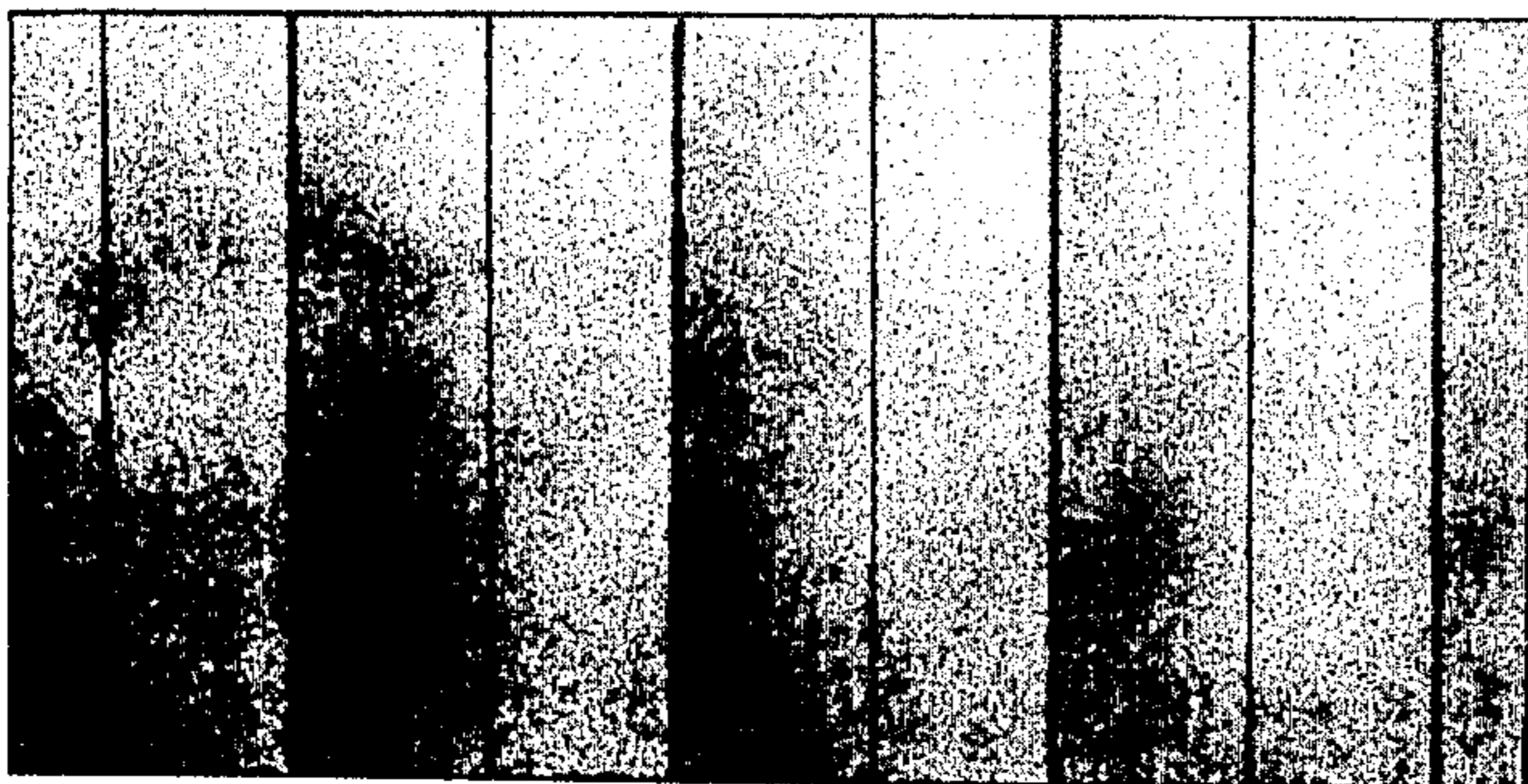


Fig. 4.

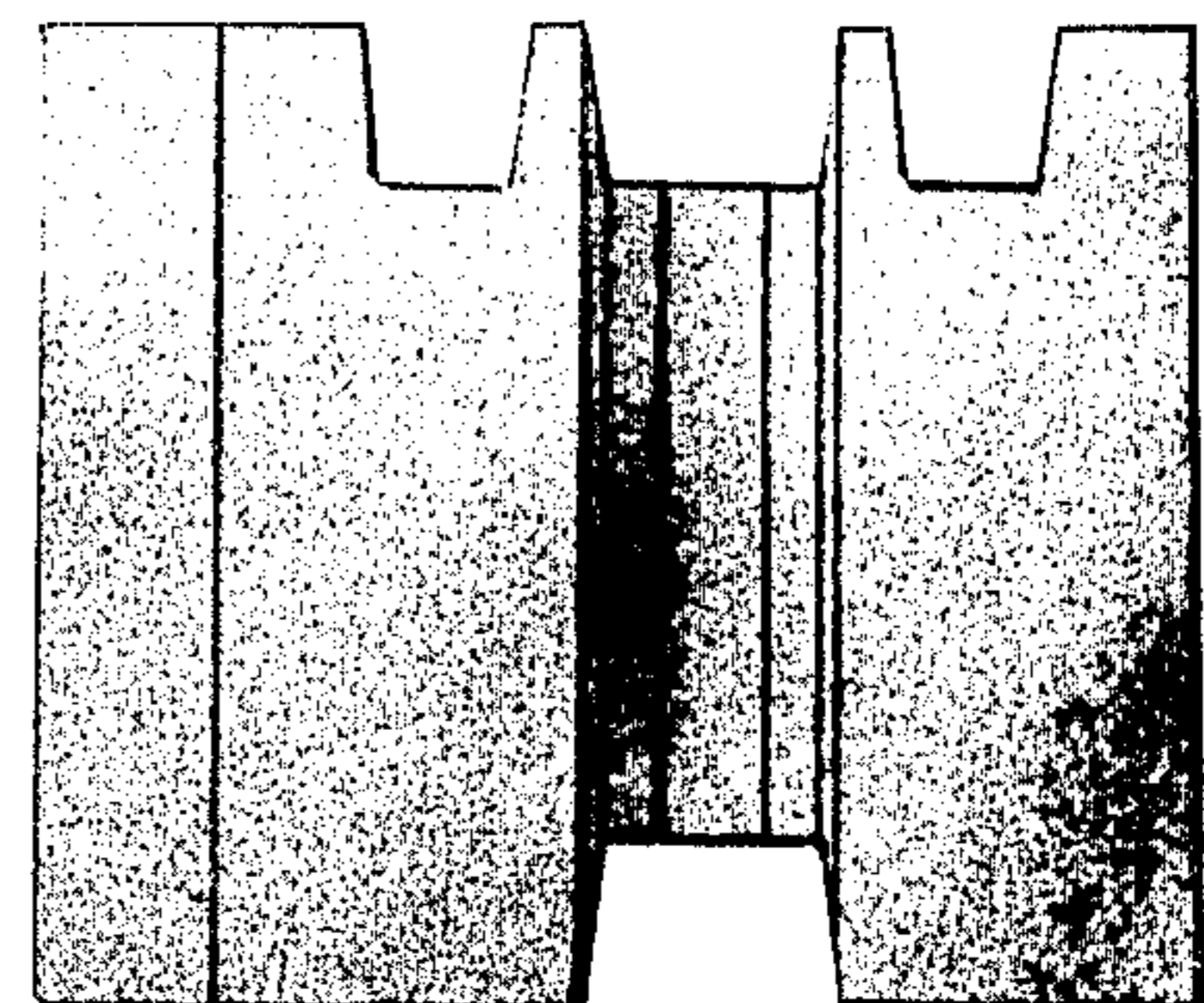


Fig. 3.

