

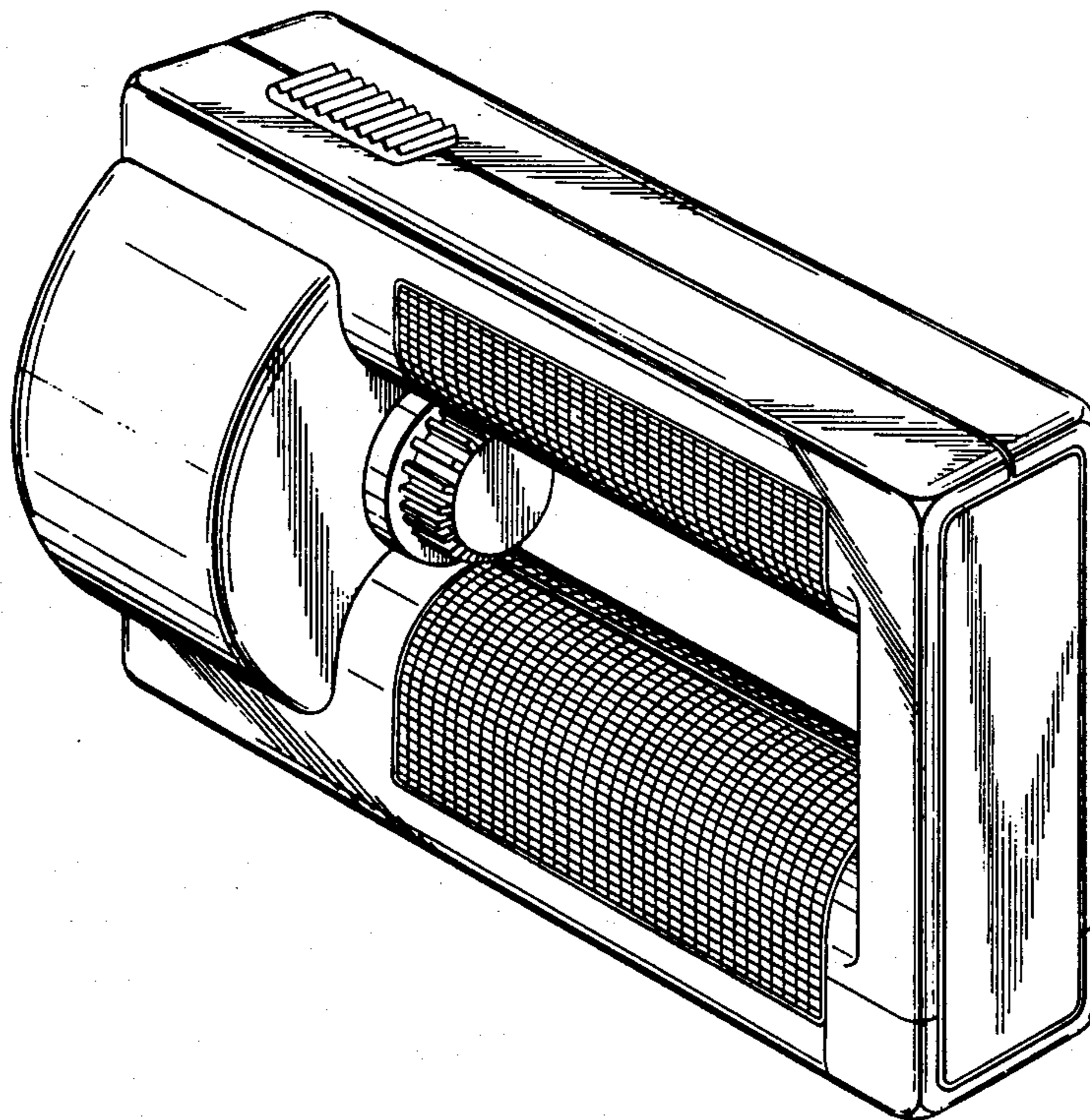
[54] **TORCH**
[75] **Inventor: Chi H. Kung, Kowloon, Hong Kong**
[73] **Assignee: Freezinhot Bottle Co., Ltd.,
Kowloon, Hong Kong**
[**] **Term: 14 Years**
[21] **Appl. No.: 339,633**
[22] **Filed: Jan. 15, 1982**
[30] **Foreign Application Priority Data**
Jul. 16, 1981 [GB] United Kingdom 81-1,001,513
[52] **U.S. Cl. D26/48**
[58] **Field of Search D26/37-50;
362/157, 158, 183, 184, 186-191, 194-208**

[56] **References Cited**
U.S. PATENT DOCUMENTS
2,444,107 6/1948 Montgomery 362/158
Primary Examiner—Susan J. Lucas
Attorney, Agent, or Firm—Oblon, Fisher, Spivak,
McClelland and Maier

[57] **CLAIM**
The ornamental design for torch, substantially as shown.

DESCRIPTION

FIG. 1 is a side elevation of the torch showing my new design, the opposite side being a mirror image;
FIG. 2 is a front elevation thereof;
FIG. 3 is a rear elevation thereof;
FIG. 4 is a top view thereof;
FIG. 5 is a bottom view thereof;
FIG. 6 is a side perspective view thereof.



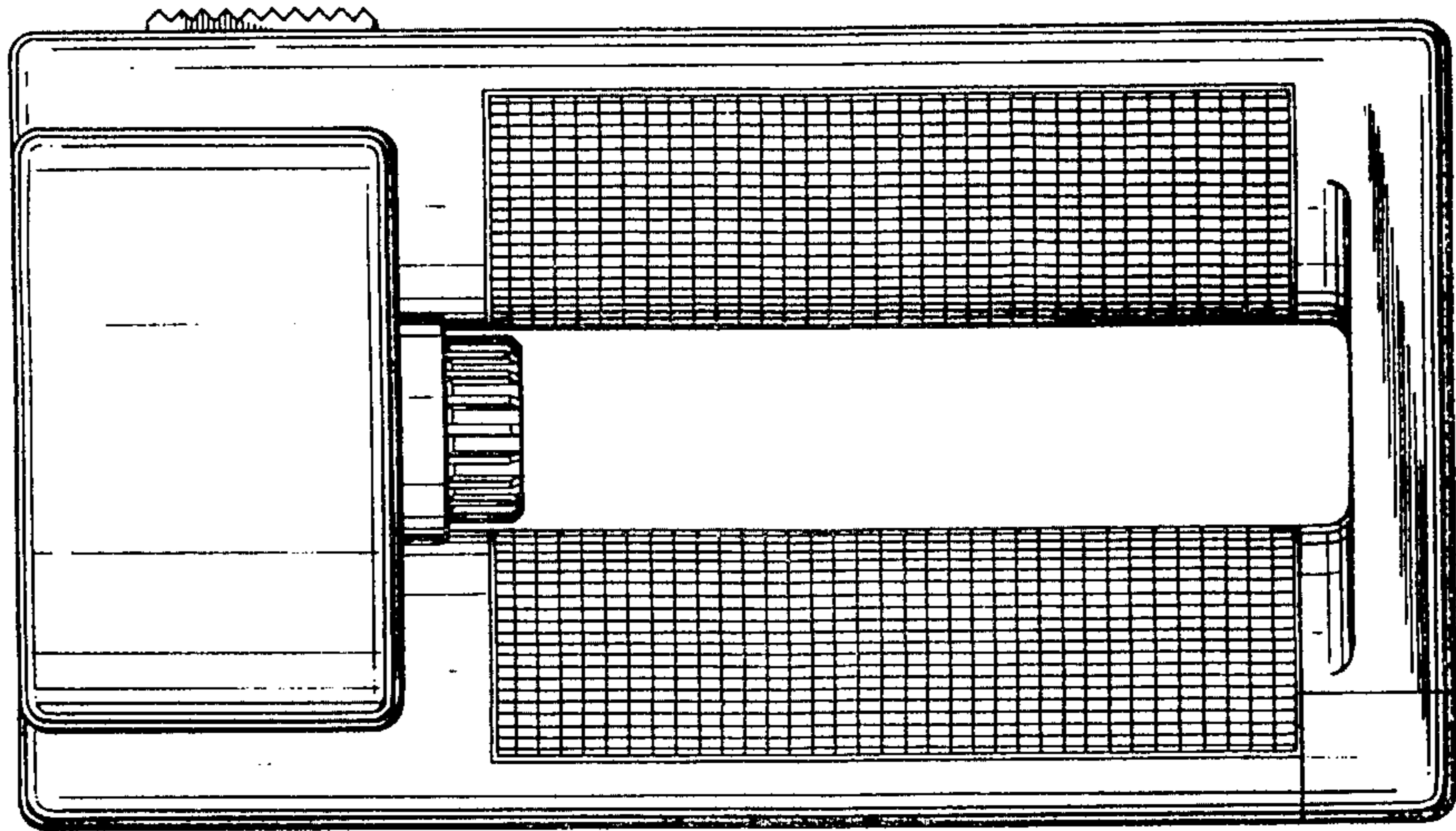


FIG. 1.

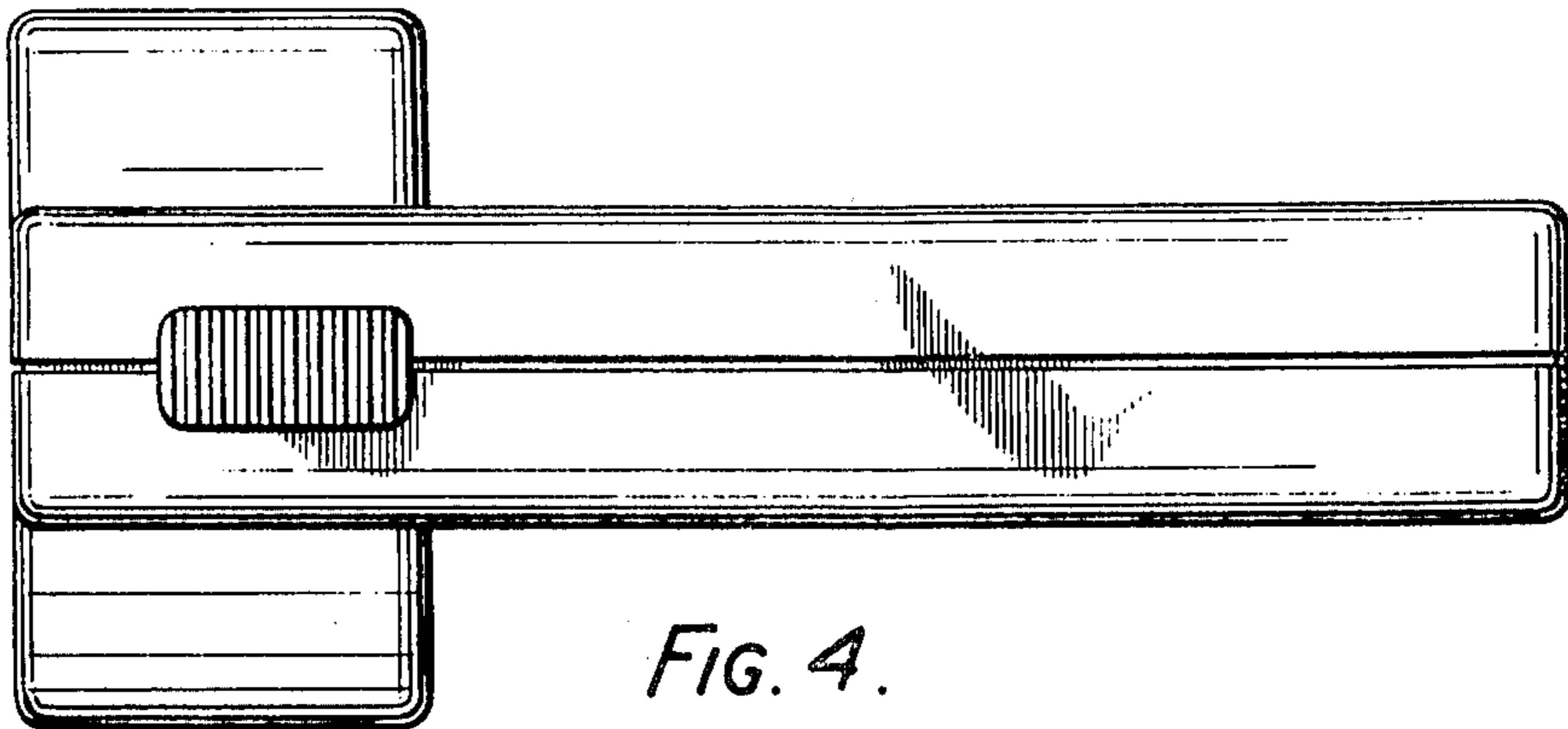


FIG. 4.

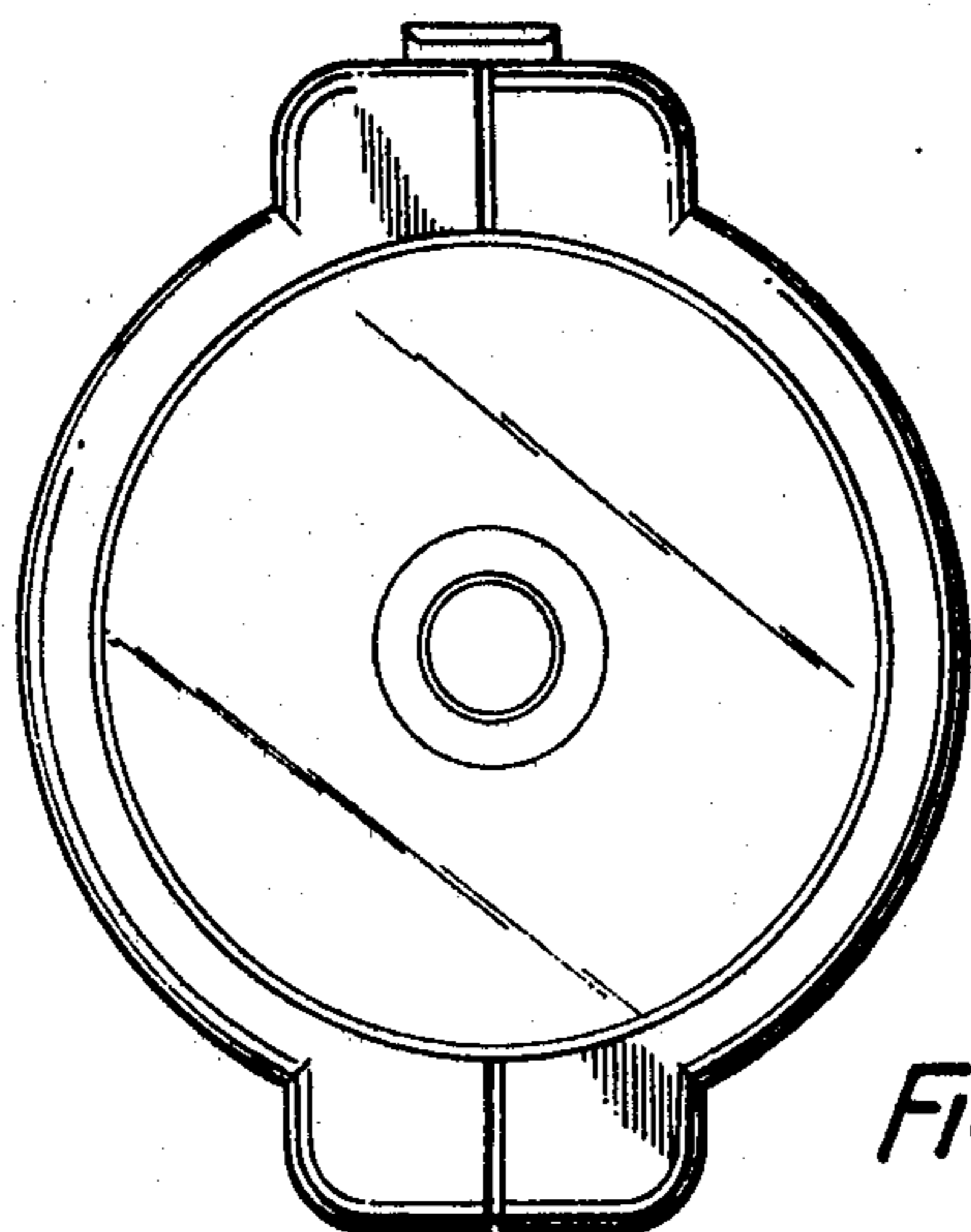


FIG. 2.

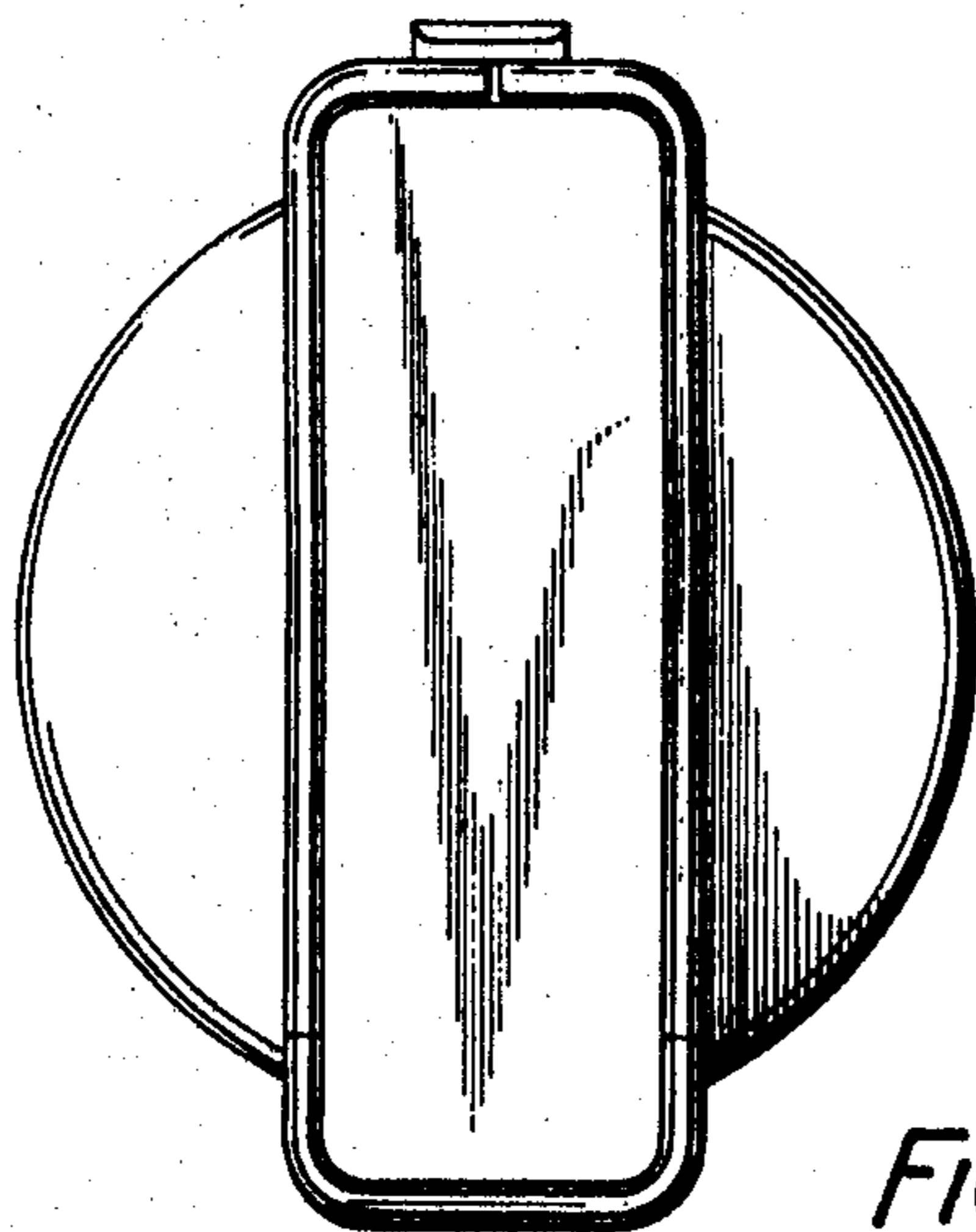


FIG. 3.

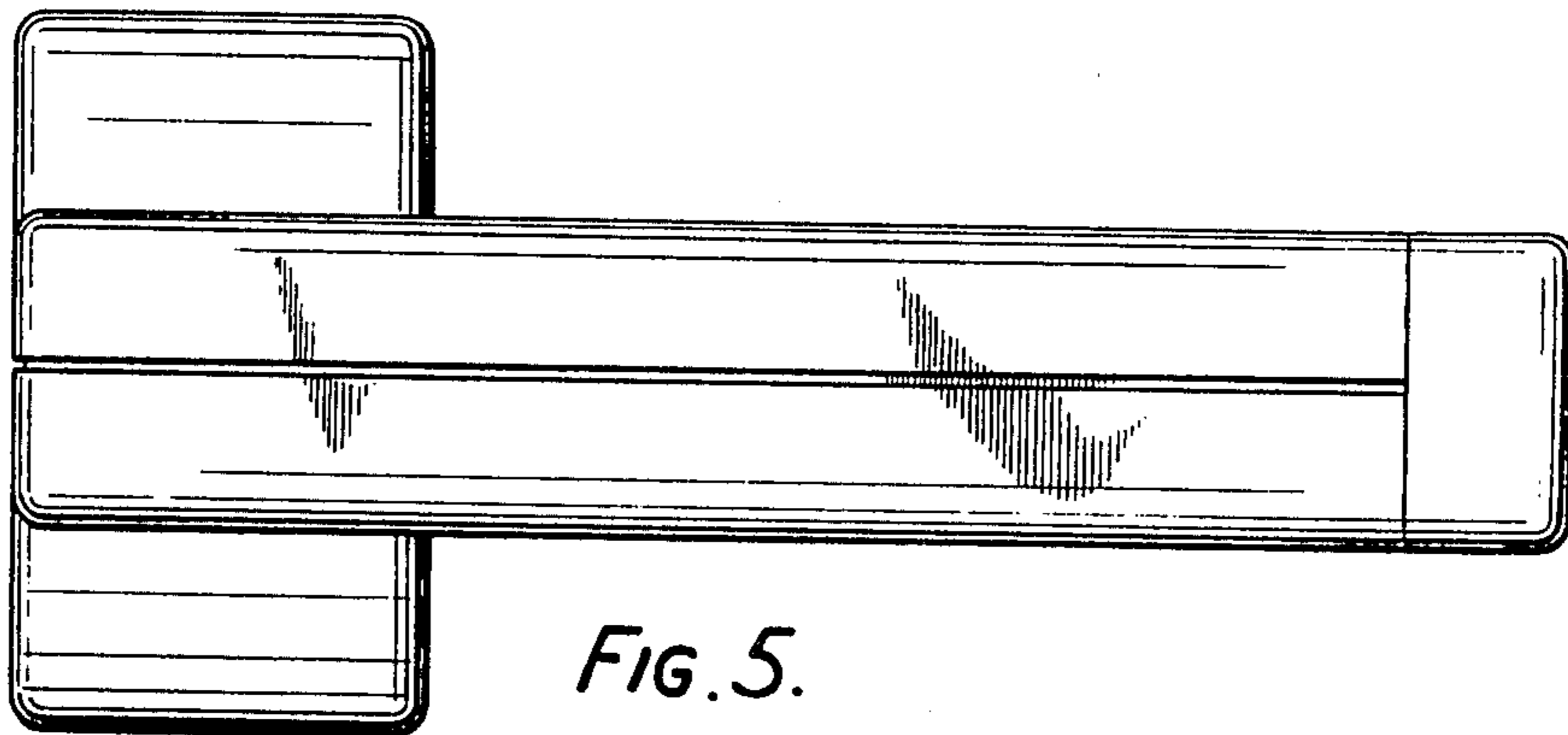


FIG. 5.

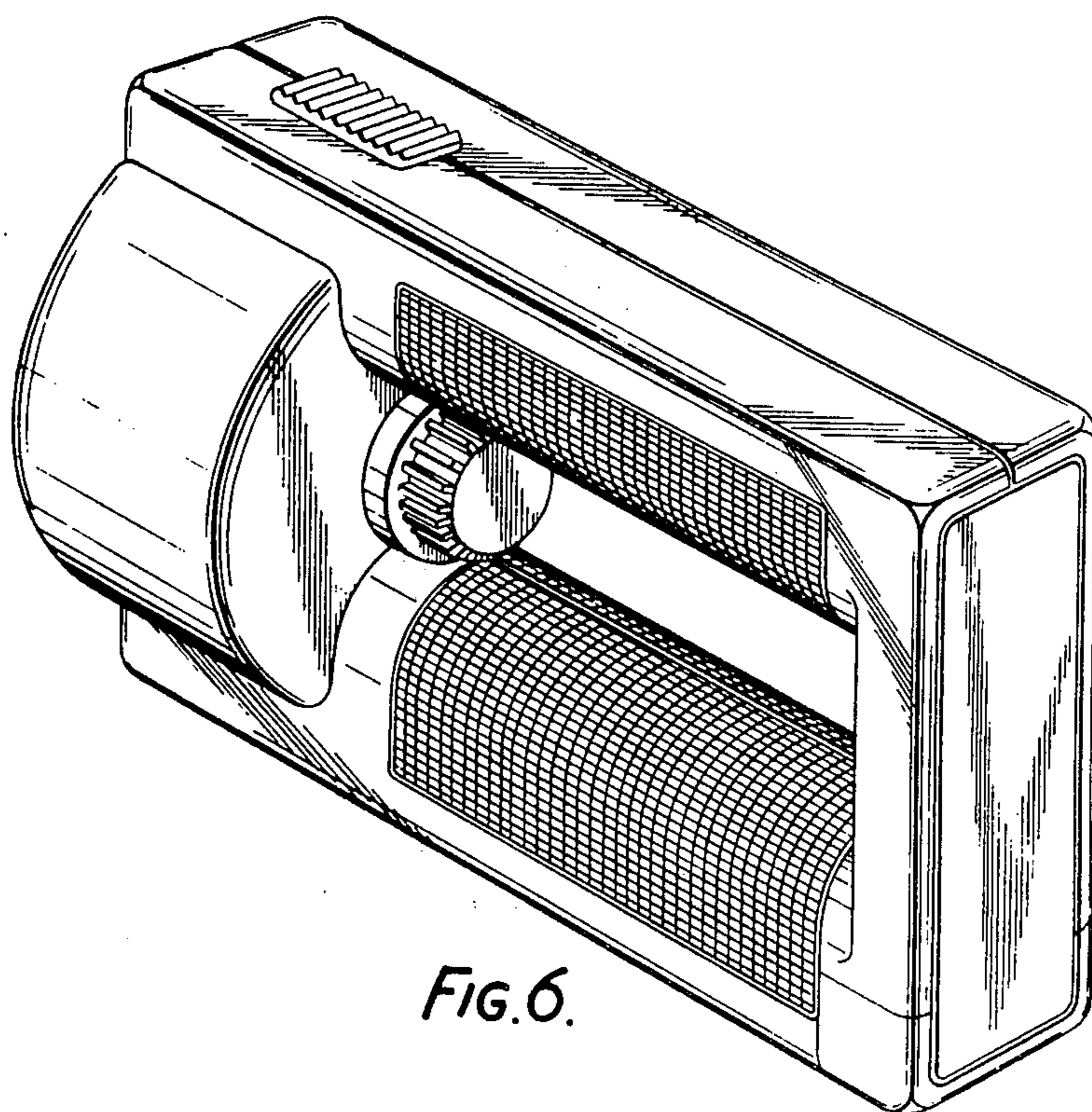


FIG. 6.