

[54] MULTI-PURPOSE LANTERN

[75] Inventor: Lap-Kwan Cheng, Hong Kong, Hong Kong

[73] Assignee: Hang Ho Industrial Co. Limited, Kowloon, Hong Kong

[**] Term: 14 Years

[21] Appl. No.: 365,274

[22] Filed: Apr. 5, 1982

[30] Foreign Application Priority Data

Oct. 7, 1981 [GB] United Kingdom 1002888

[52] U.S. Cl. D26/42

[58] Field of Search D26/37-50;
362/157, 158, 183, 184, 186-191, 194-208;
362/217, 220, 221, 222

[56] References Cited

U.S. PATENT DOCUMENTS

D. 256,061 7/1980 Zelina D26/46
D. 256,167 7/1980 Thomson D26/42

OTHER PUBLICATIONS

Hong Kong Interprise Catalog, vol. 10, 1980, p. 110, Fluorescent Lantern.

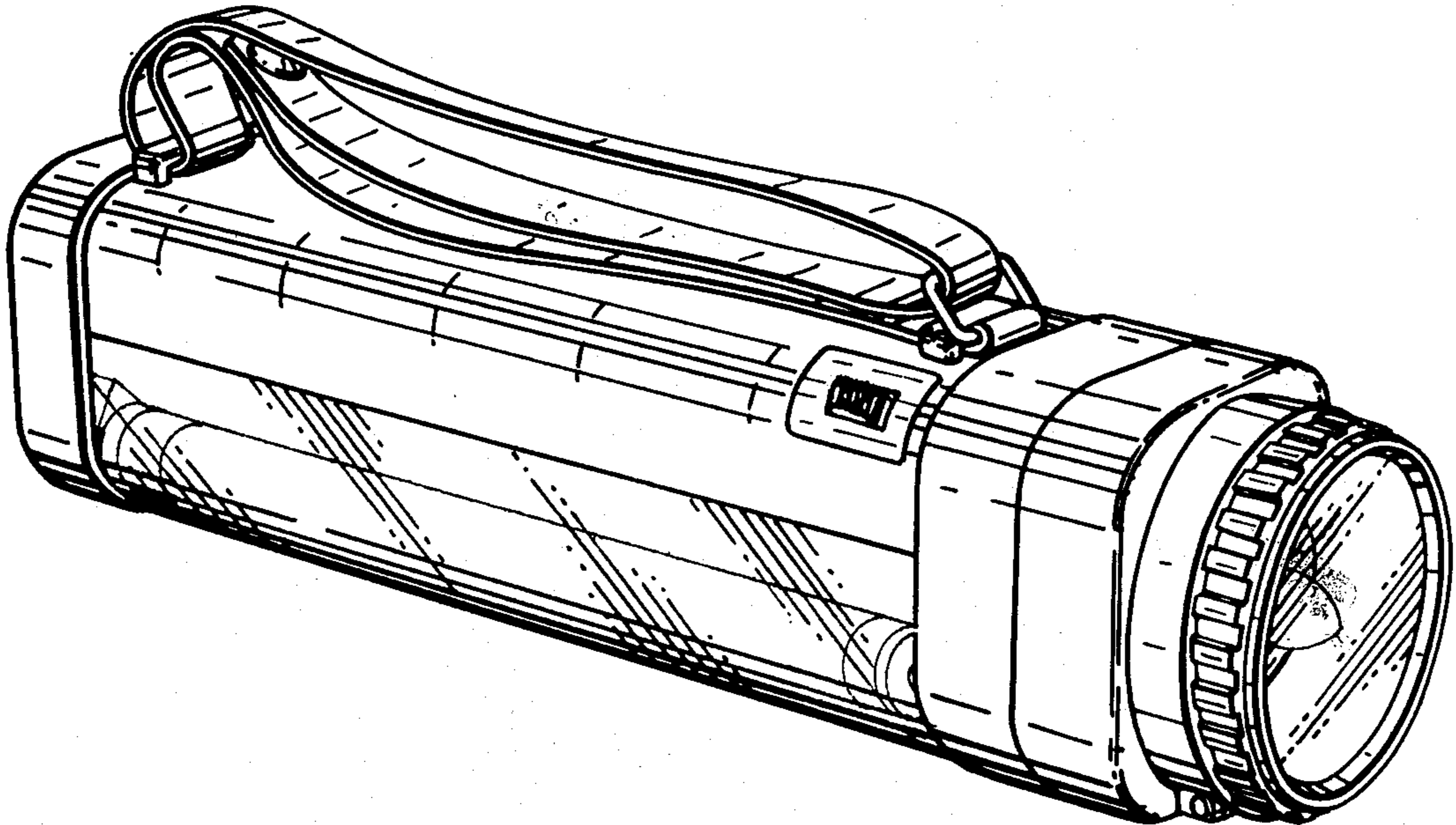
Primary Examiner—Susan J. Lucas
Attorney, Agent, or Firm—Bacon & Thomas

[57] CLAIM

The ornamental design for a multi-purpose lantern, as shown and described.

DESCRIPTION

FIG. 1 is a top, side perspective view of a multipurpose lantern showing my new design;
FIG. 2 is a bottom and opposite side perspective view thereof;
FIG. 3 is an end elevational view thereof;
FIG. 4 is an opposite end elevational view thereof;
FIG. 5 is a perspective view thereof with the head pivoted to an alternate position;
FIG. 6 is a side elevational view thereof;
FIG. 7 is an opposite side elevational view thereof; and,
FIG. 8 is a bottom plan view thereof.



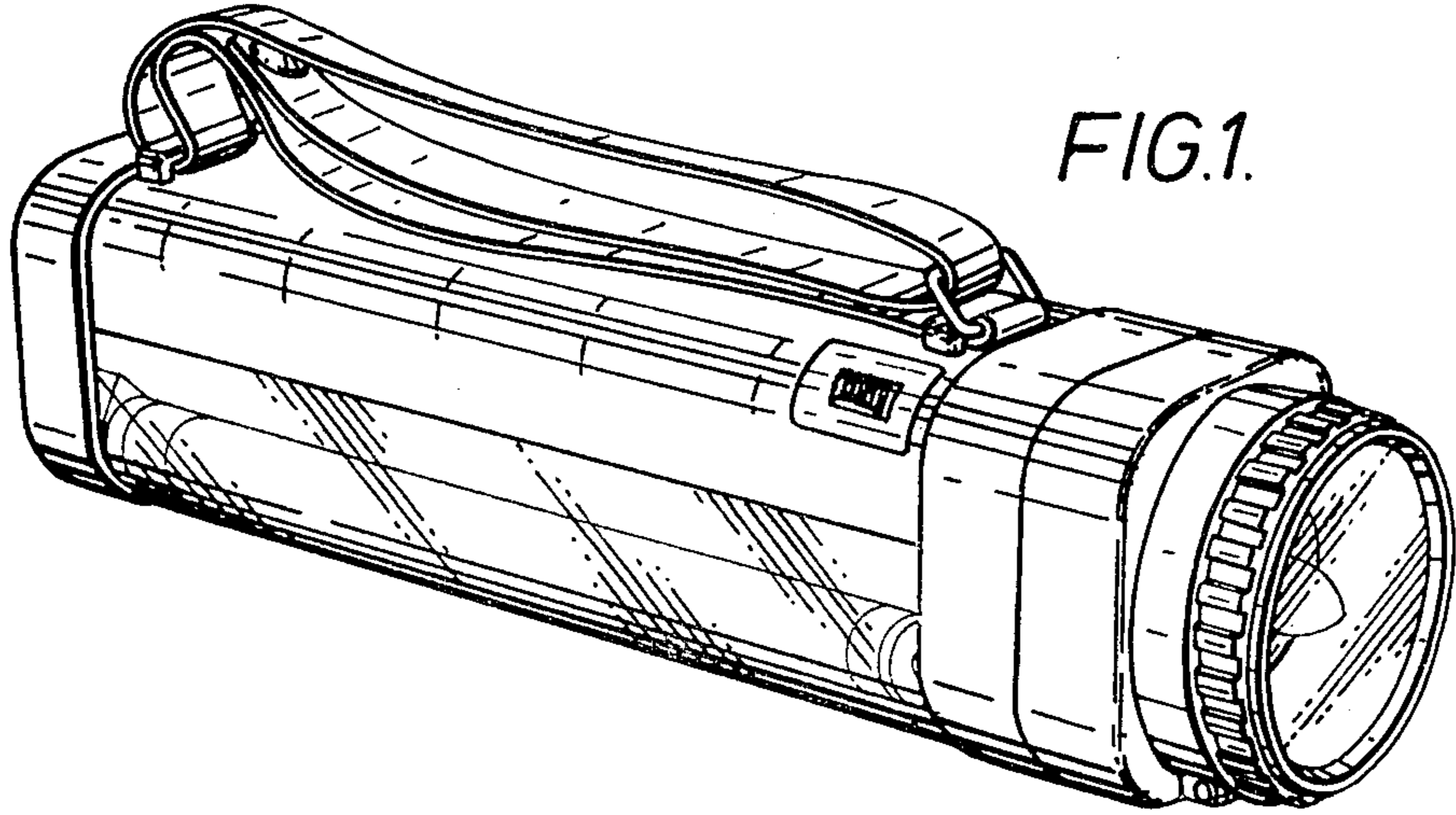


FIG. 1.

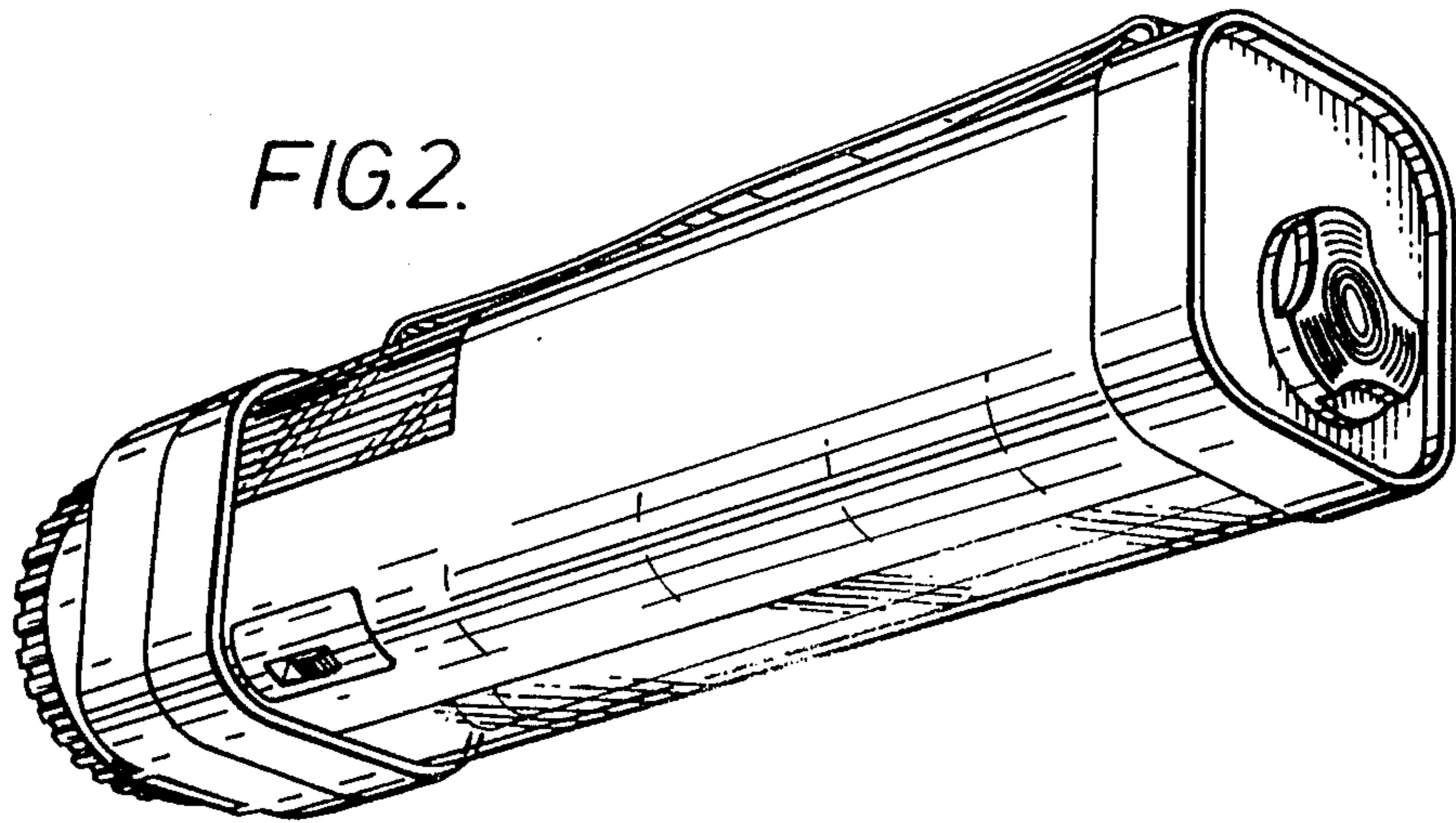


FIG. 2.

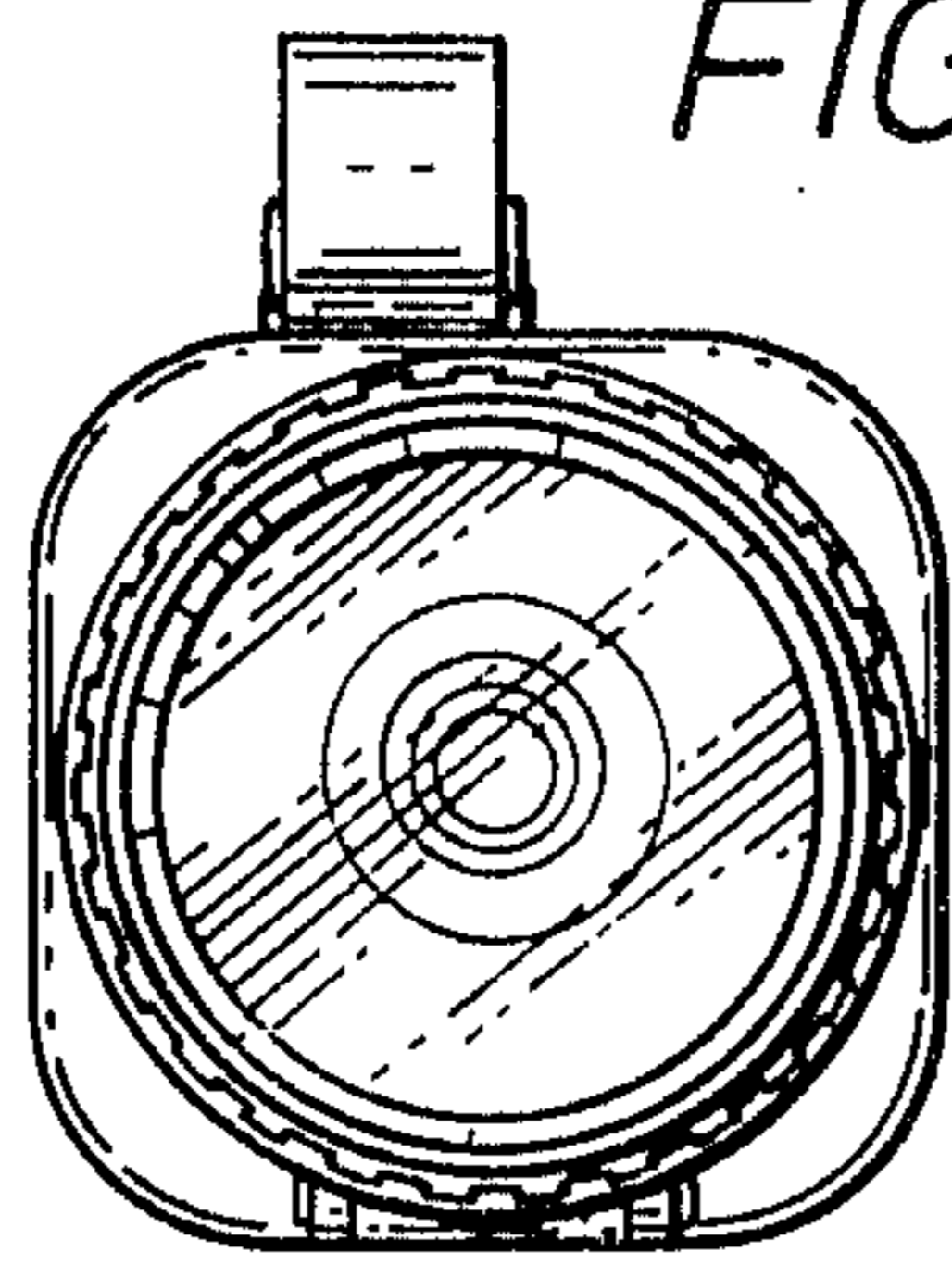


FIG. 3.

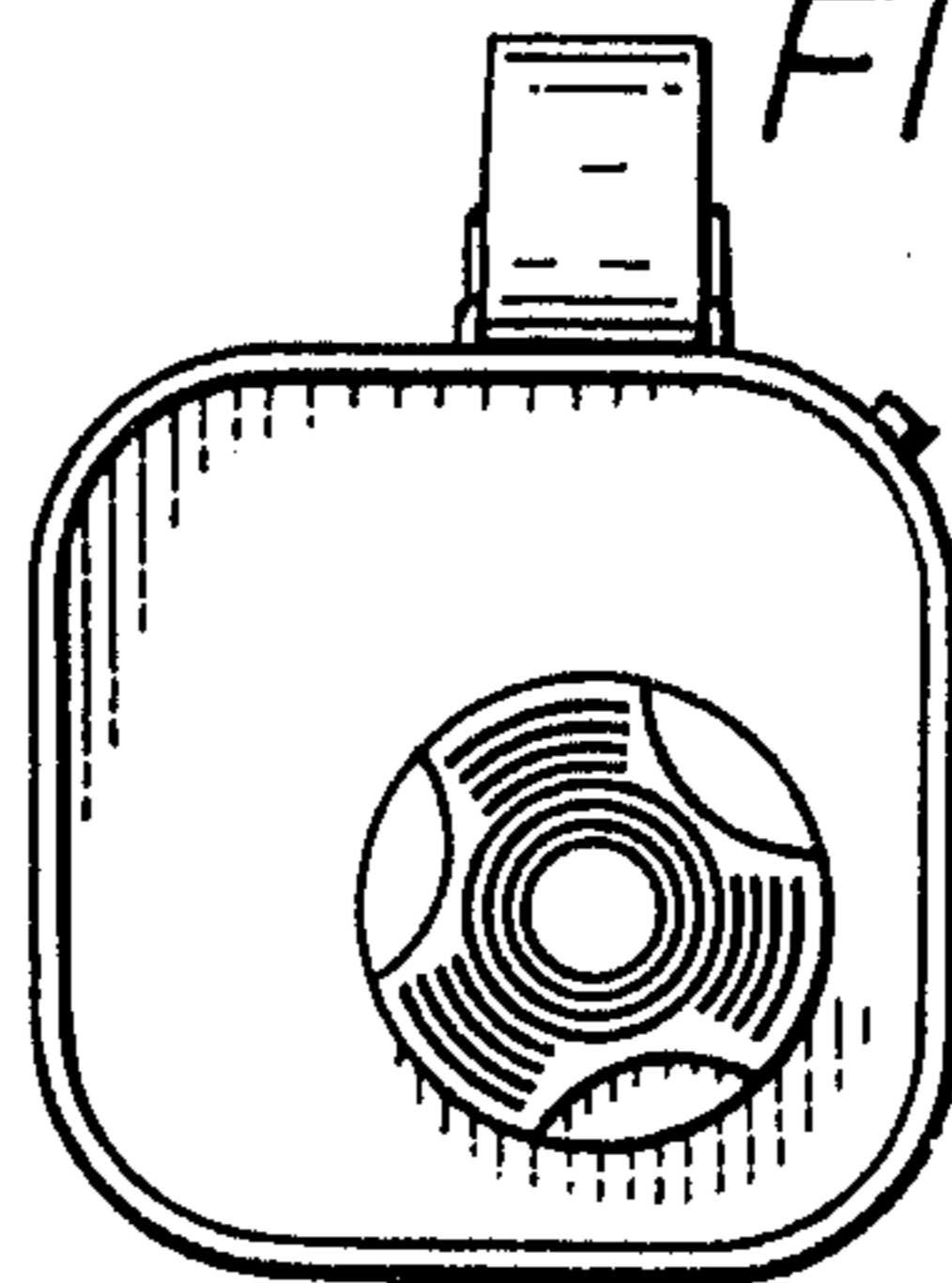
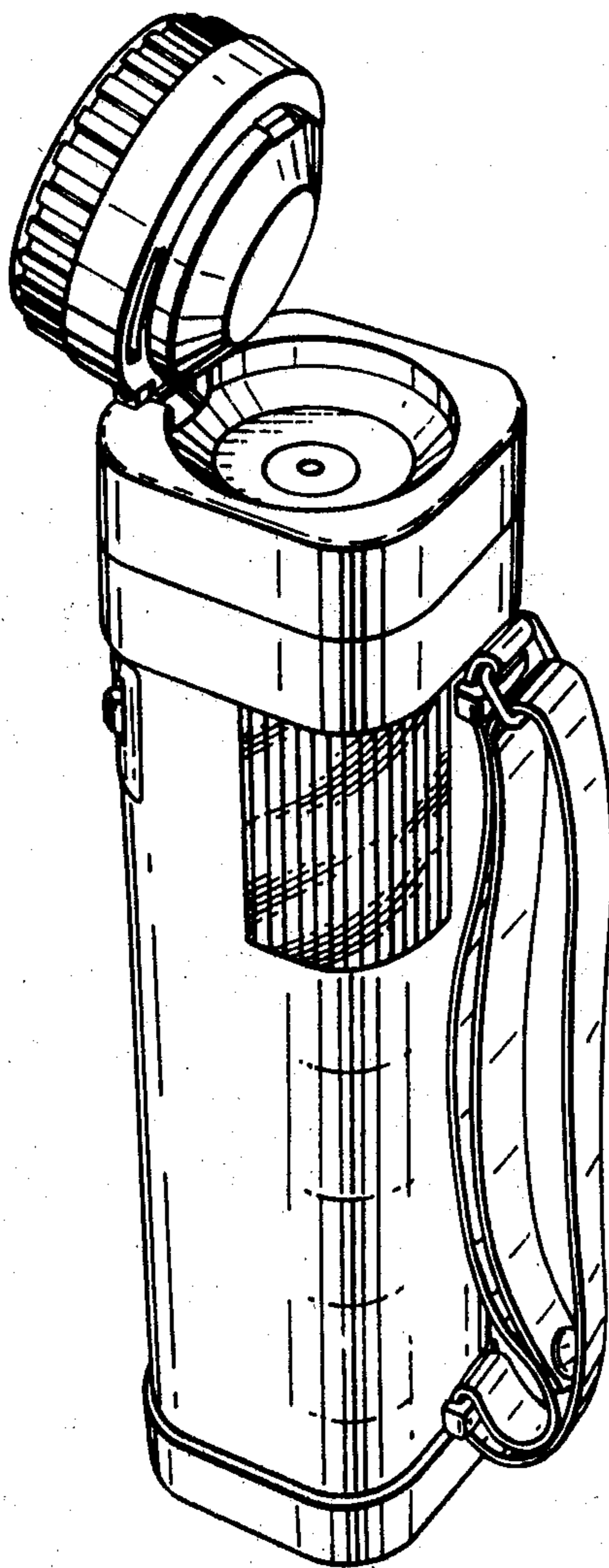


FIG. 4.

FIG. 5.



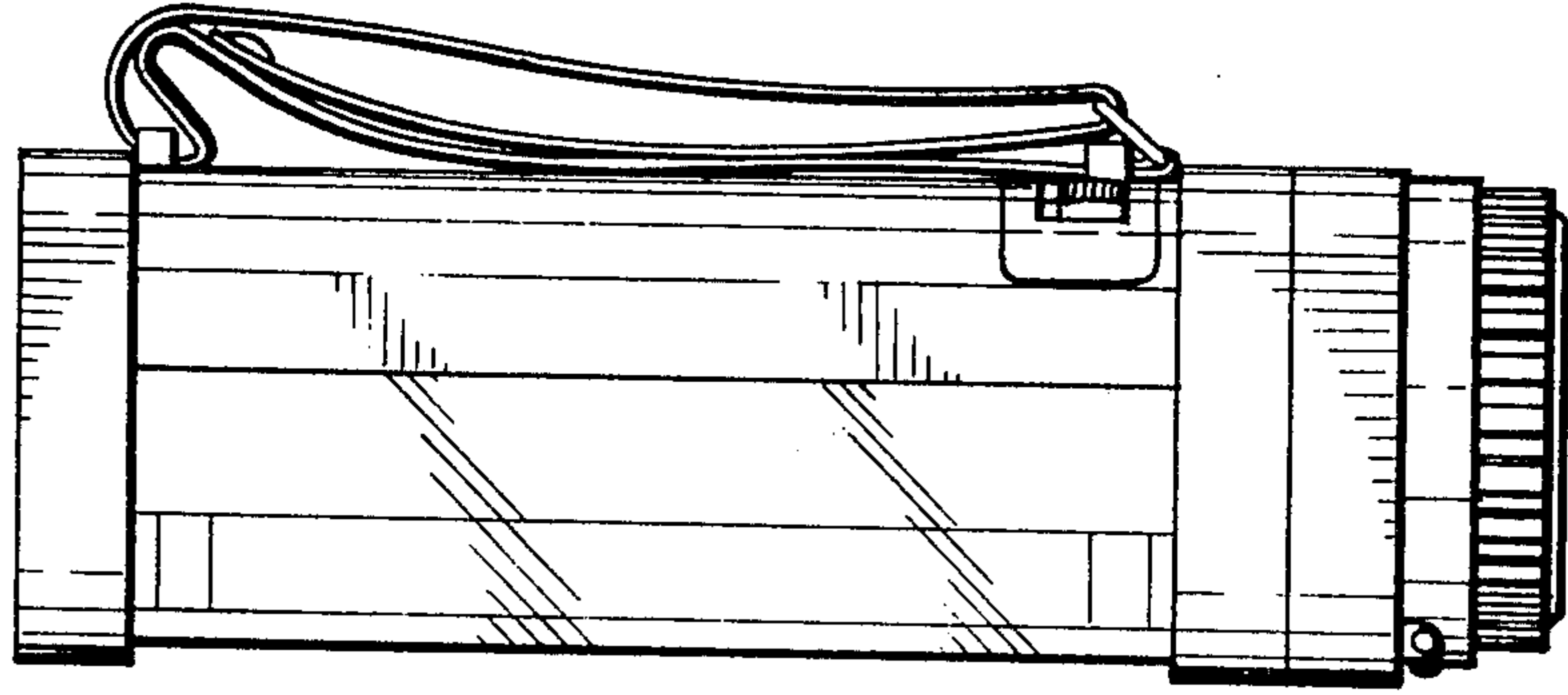


FIG. 6

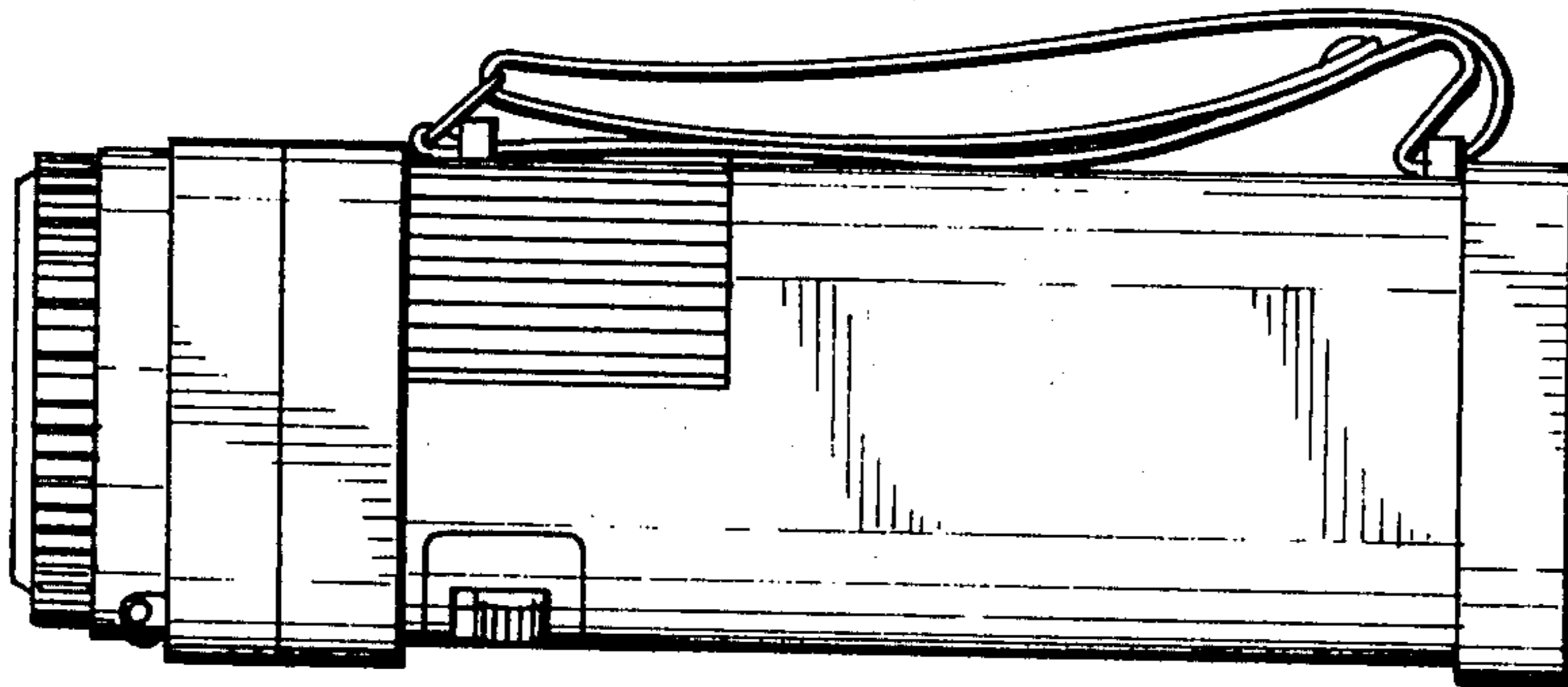


FIG. 7

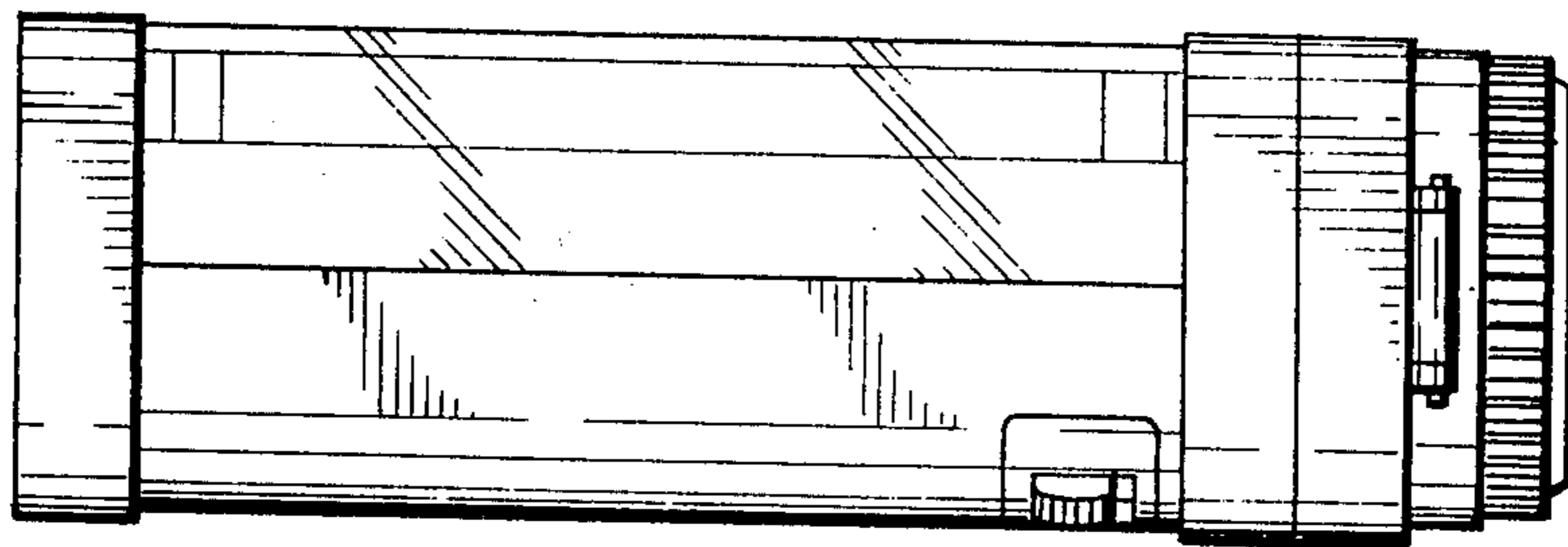


FIG. 8