

[54] BUILDING BLOCK

[76] Inventors: John N. Rassias, 33 SE. Fourth St., Boca Raton, Fla. 33432; Cecily M. Clark, 565 Park Ave., New York, N.Y. 10021

[**] Term: 14 Years

[21] Appl. No.: 428,883

[22] Filed: Sep. 29, 1982

[52] U.S. Cl. D25/91

[58] Field of Search D25/80, 86, 89, 91-94; 405/284; 52/233, 314, 316

[56] References Cited

U.S. PATENT DOCUMENTS

1,953,154 4/1934 Cram 405/284 X
4,016,693 4/1977 Warren D25/93 X

OTHER PUBLICATIONS

Architectural Precast Concrete, ©1973, p. 54, FIG. 3.3.17.

Primary Examiner—A. Hugo Word
Attorney, Agent, or Firm—Buell, Blenko, Ziesenheim & Beck

[57] CLAIM

The ornamental design for a building block, as shown.

DESCRIPTION

FIG. 1 is an isometric view of a building block according to the invention;

FIG. 2 is a side elevation of a building block according to the invention;

FIG. 3 is a top plan view of a building block according to the invention; and

FIG. 4 is an end elevation of a building block according to the invention.

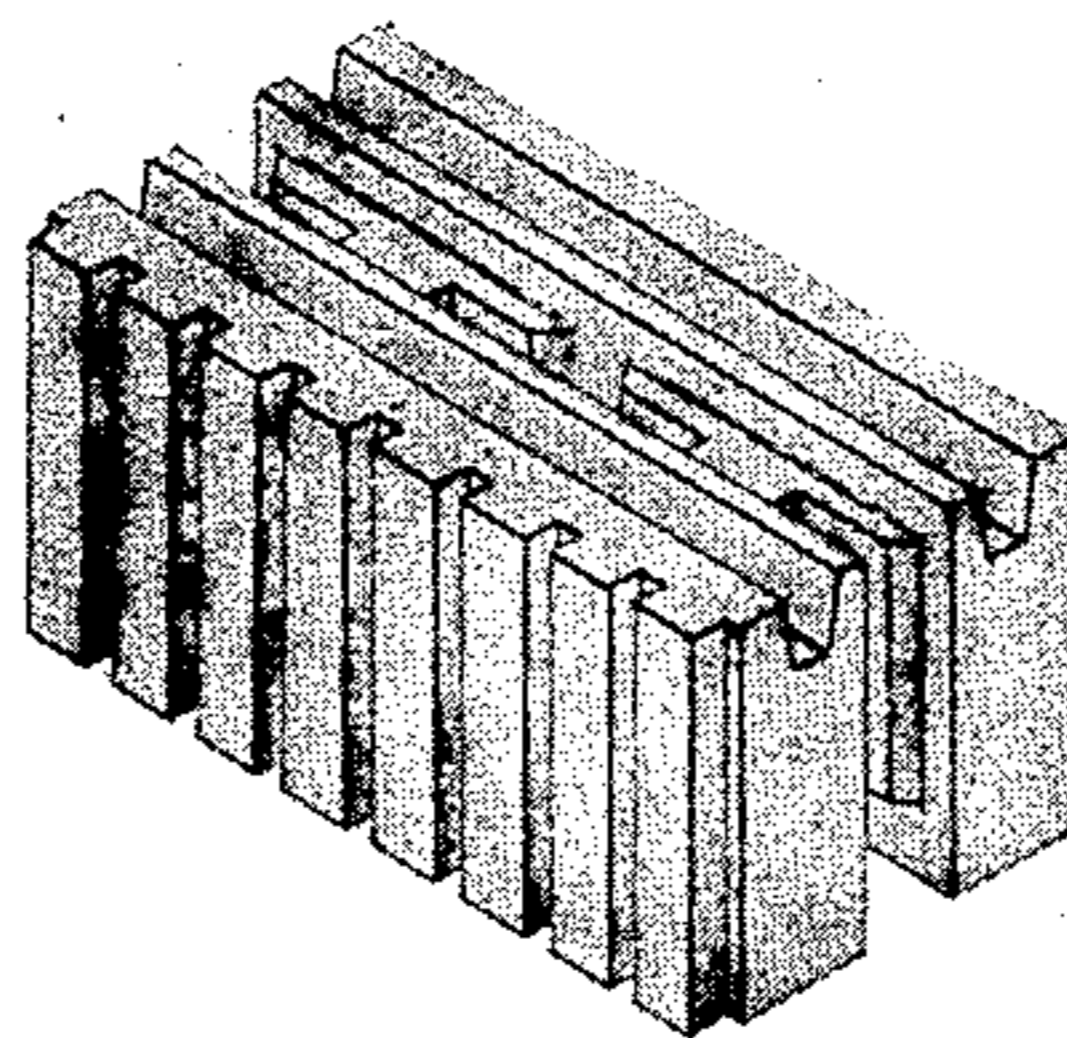


Fig. 1.

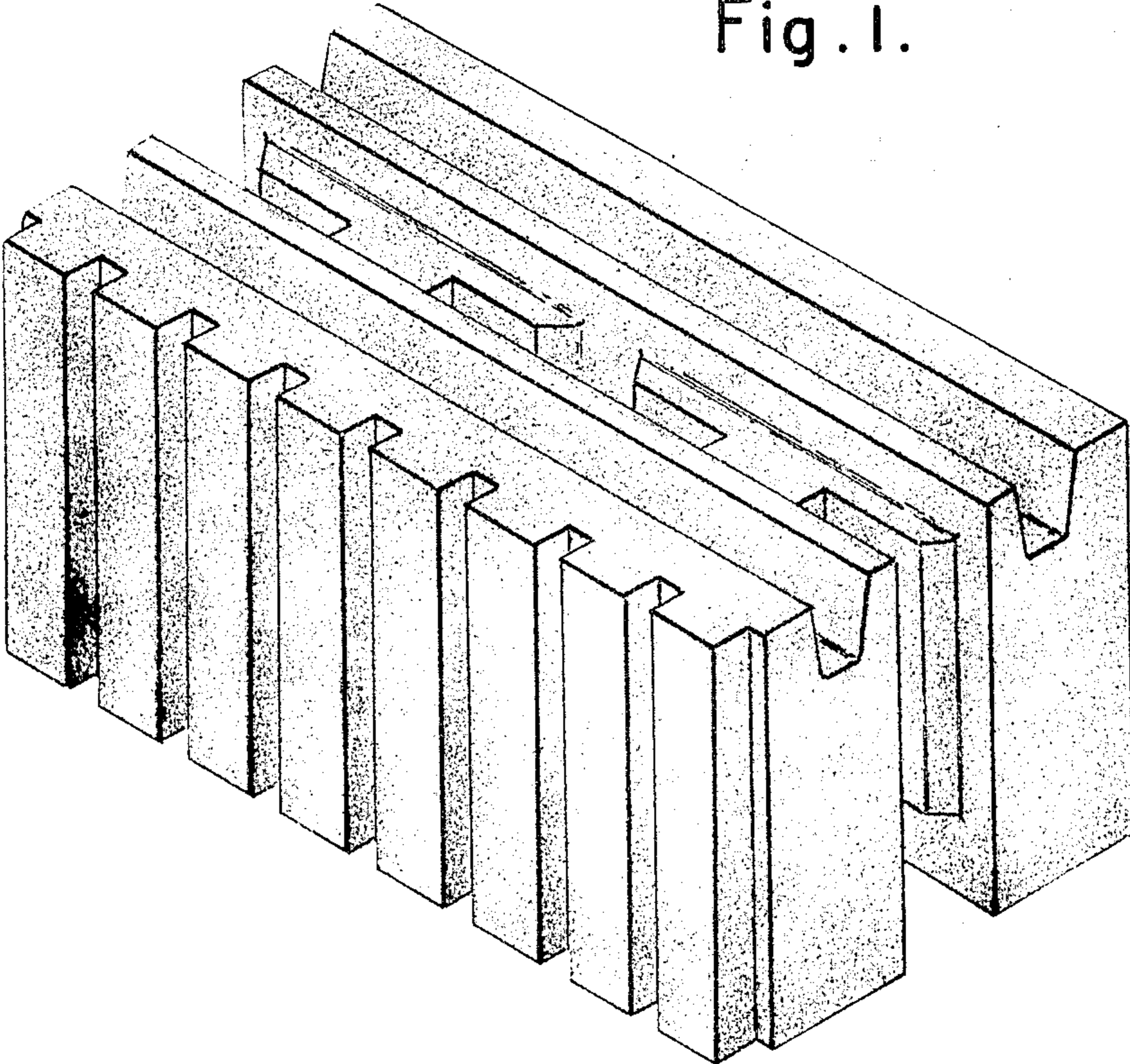


Fig. 2.

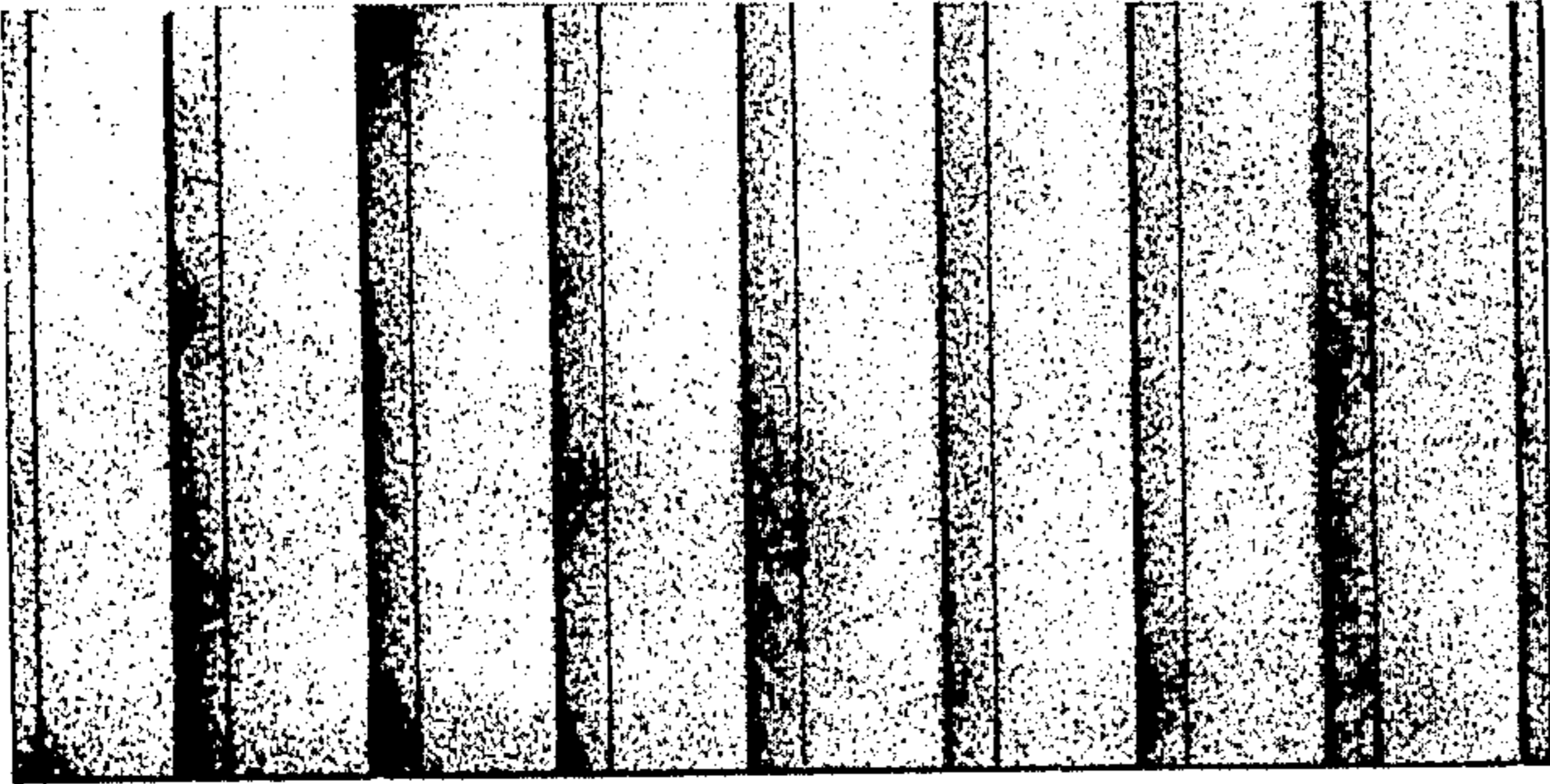


Fig. 4.

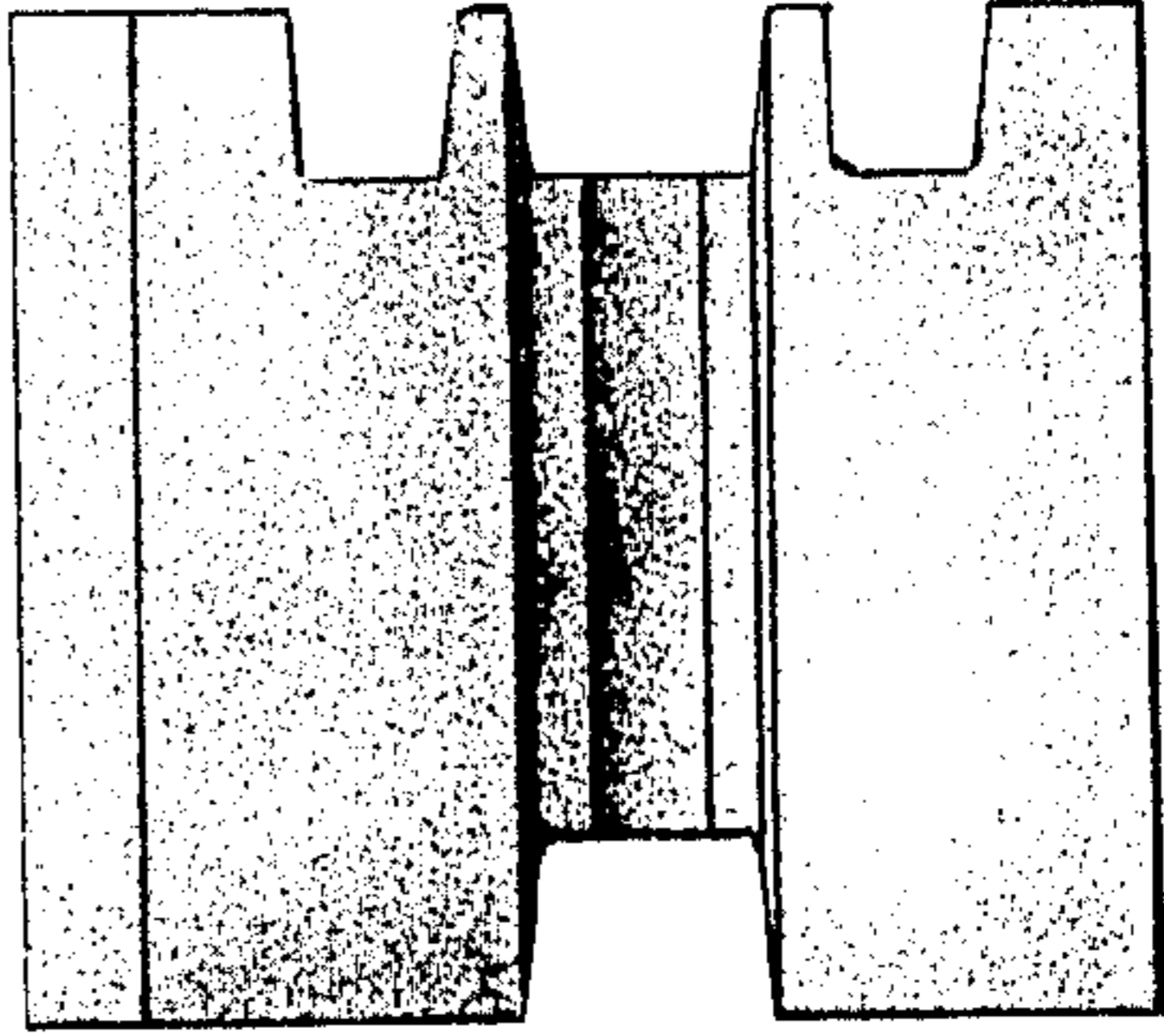


Fig. 3.

