

United States Patent [19]

Wagster

[11] Patent Number: **Des. 276,074**

[45] Date of Patent: **** Oct. 23, 1984**

[54] **FOLDABLE SAWHORSE**

[75] Inventor: **Robert P. Wagster, Easton, Md.**

[73] Assignee: **Black & Decker Inc., Newark, Del.**

[**] Term: **14 Years**

[21] Appl. No.: **384,251**

[22] Filed: **Jun. 2, 1982**

[52] U.S. Cl. **D25/67**

[58] Field of Search **D6/85, 178, 67; D25/67; 182/134, 153, 155; 108/134**

[56] **References Cited**

U.S. PATENT DOCUMENTS

D. 257,395	10/1980	Correll	D25/67
936,945	10/1909	Rice	D6/67 X
1,010,458	12/1911	Smith	182/153
1,576,034	3/1926	Butt	108/134
2,216,187	10/1940	Dion	304/5
2,611,417	9/1952	Henry et al.	280/30
2,794,688	6/1957	Scott	304/5
2,879,119	3/1959	Bullock	311/87
3,198,286	8/1965	Wilson	182/155
3,502,174	3/1970	Cannon	182/155

3,682,272	8/1972	Secor	182/155
3,905,777	9/1975	Dintelmann	D25/67 X
3,951,233	4/1976	Meyers	182/155

FOREIGN PATENT DOCUMENTS

1554769 10/1979 United Kingdom 182/155 X

Primary Examiner—Bruce W. Dunkins
Attorney, Agent, or Firm—Finnegan, Henderson, Farabow, Garrett & Dunner

[57] **CLAIM**

The ornamental design for a foldable sawhorse, as shown and described.

DESCRIPTION

FIG. 1 is a perspective view of a foldable sawhorse showing my design;
FIG. 2 is a side elevational view;
FIG. 3 is an elevational view showing one of the two identical ends;
FIG. 4 is a top plan view;
FIG. 5 is a bottom plan view; and
FIG. 6 is a side view of the sawhorse in its folded condition.

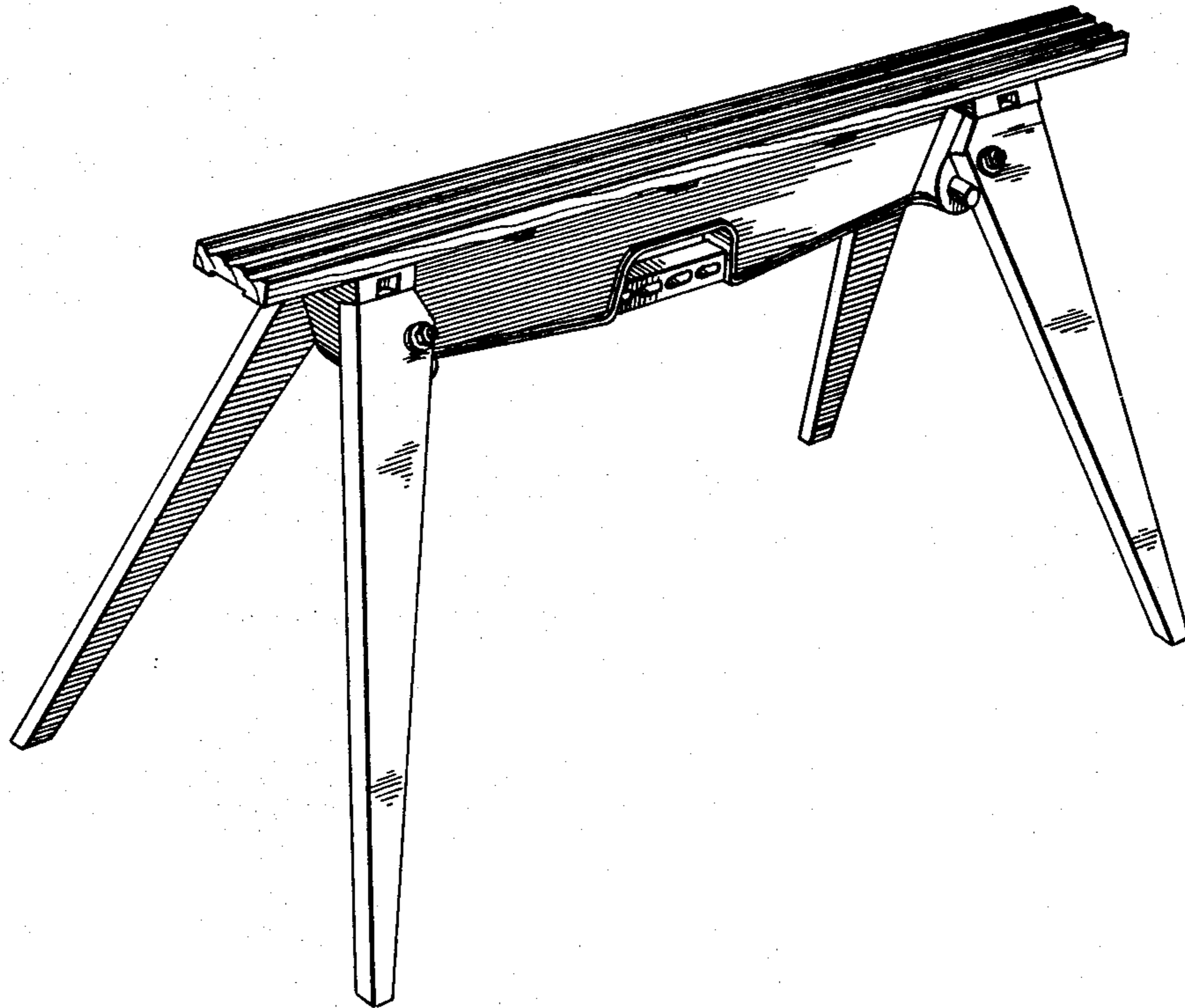


FIG. 1

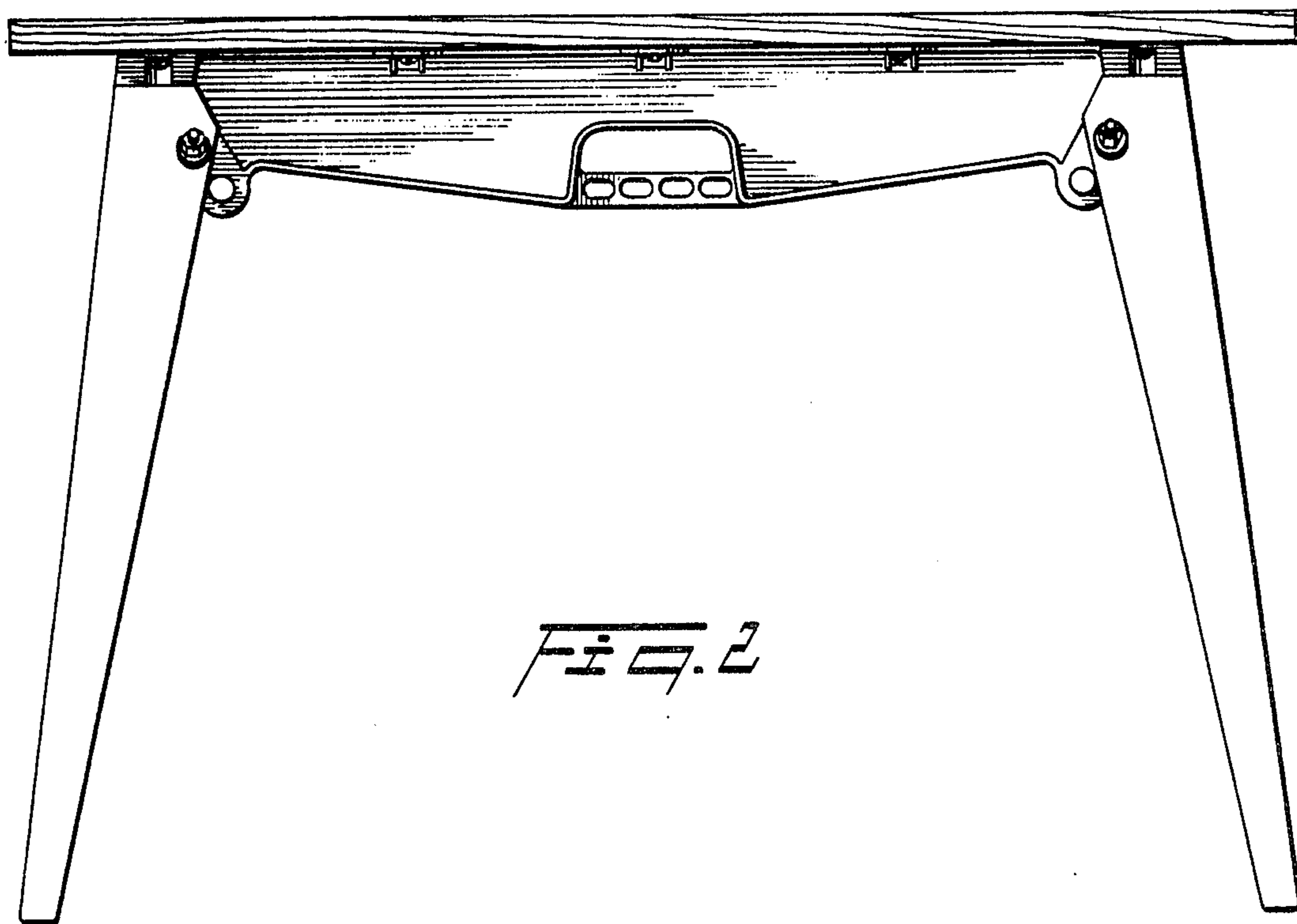


FIG. 2

FIG. 3

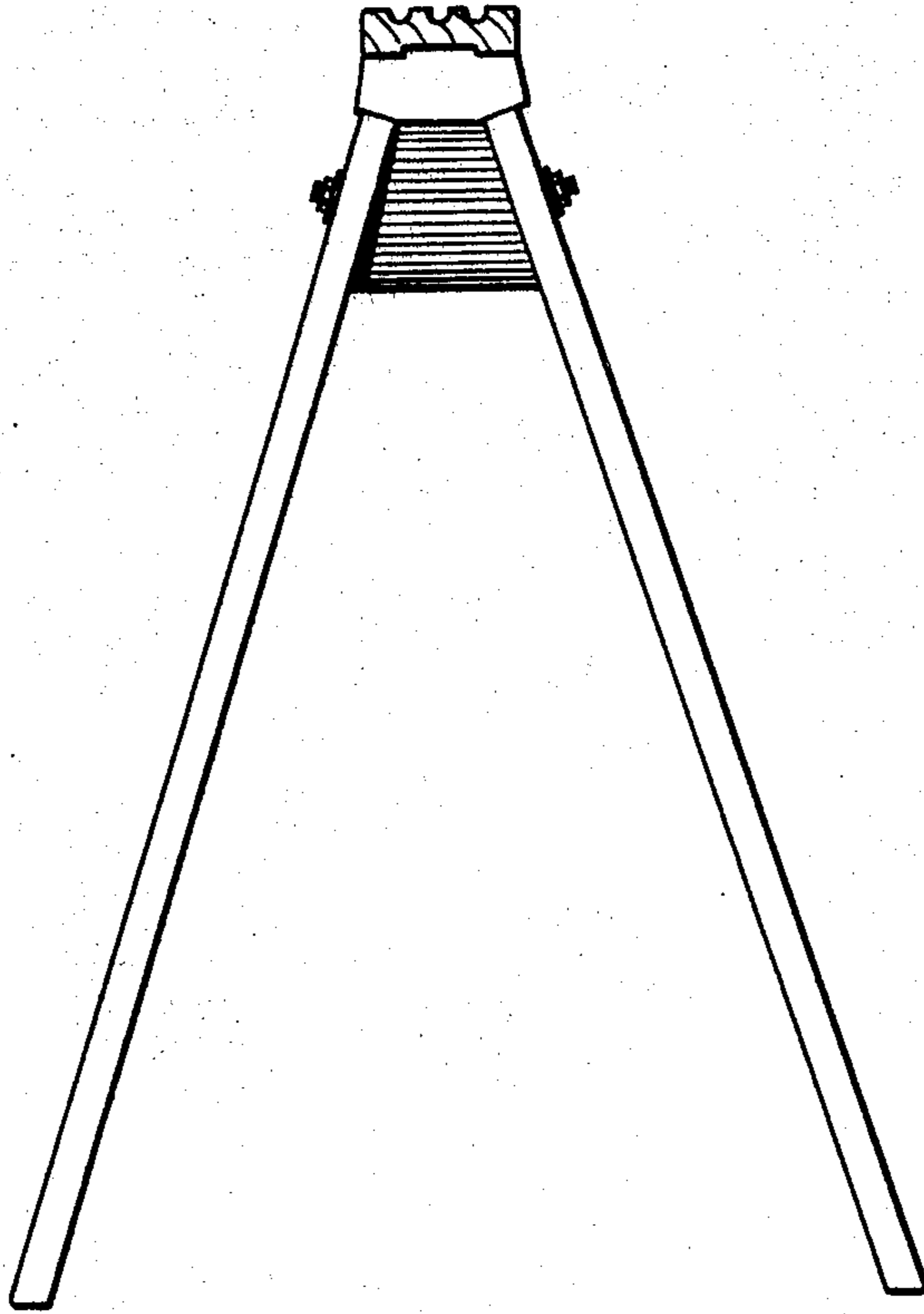
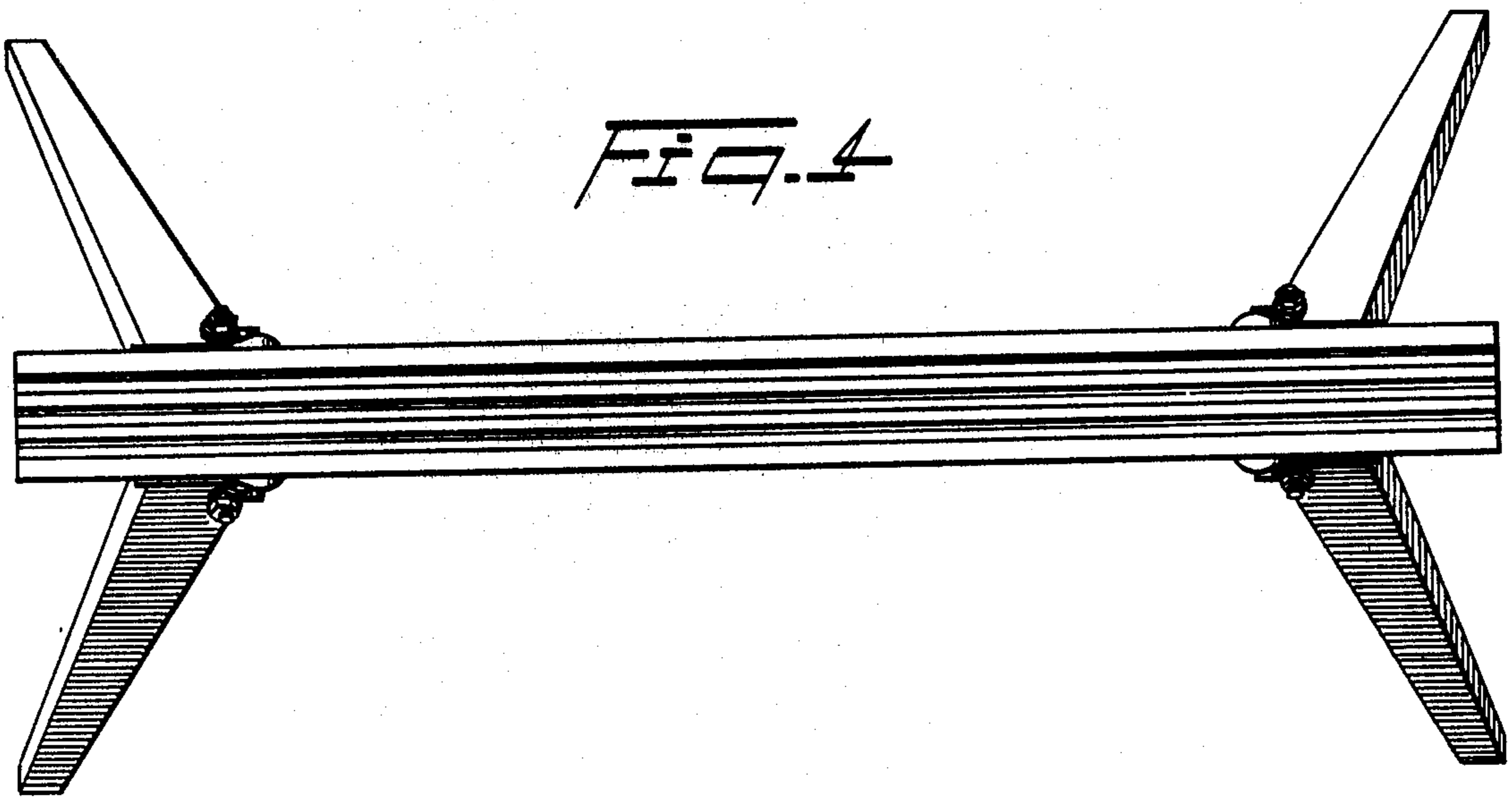


FIG. 4



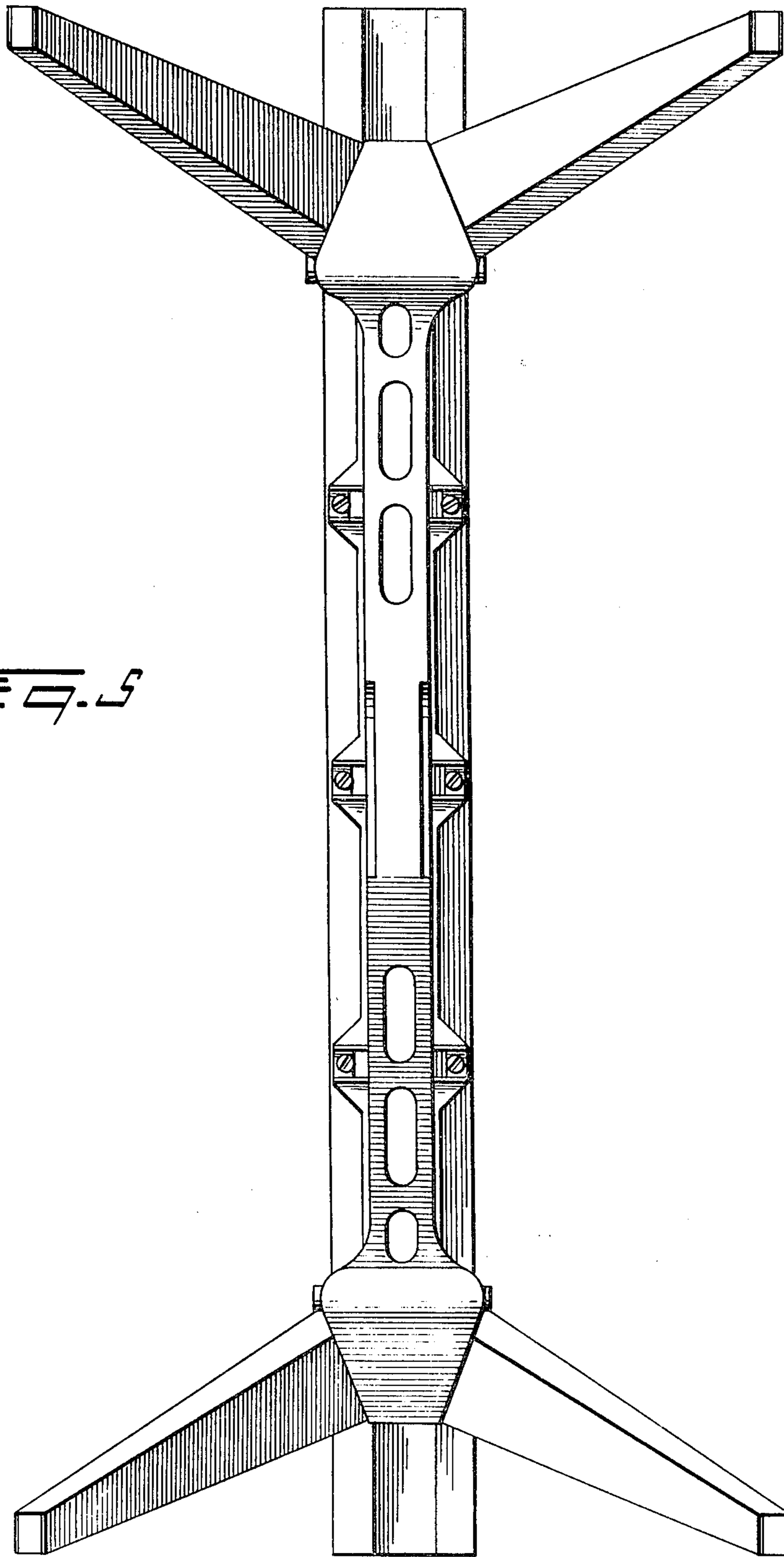


FIG. 5

FIG. 6

