

[54] OIL HEATER

[75] Inventors: Daisaku Mori; Youichi Takahashi, both of Nara, Japan

[73] Assignee: Matsushita Electric Industrial Co., Ltd., Osaka, Japan

[\*\*] Term: 14 Years

[21] Appl. No.: 389,792

[22] Filed: Jun. 18, 1982

[30] Foreign Application Priority Data

Feb. 19, 1982 [JP]	Japan	57-7131
[52] U.S. Cl.		D23/121
[58] Field of Search	D23/92, 93, 119-124;	126/92-97

[56] References Cited  
PUBLICATIONS

Hardware Age, Apr. 1981, p. 82, Yuasa Heater J-SO.  
Hardware Age, Jun. 1981, p. 59, Corona Heater SS-DK.  
Hardware Age, Aug. 1980, p. 232, Kerosun Heater at lower right.

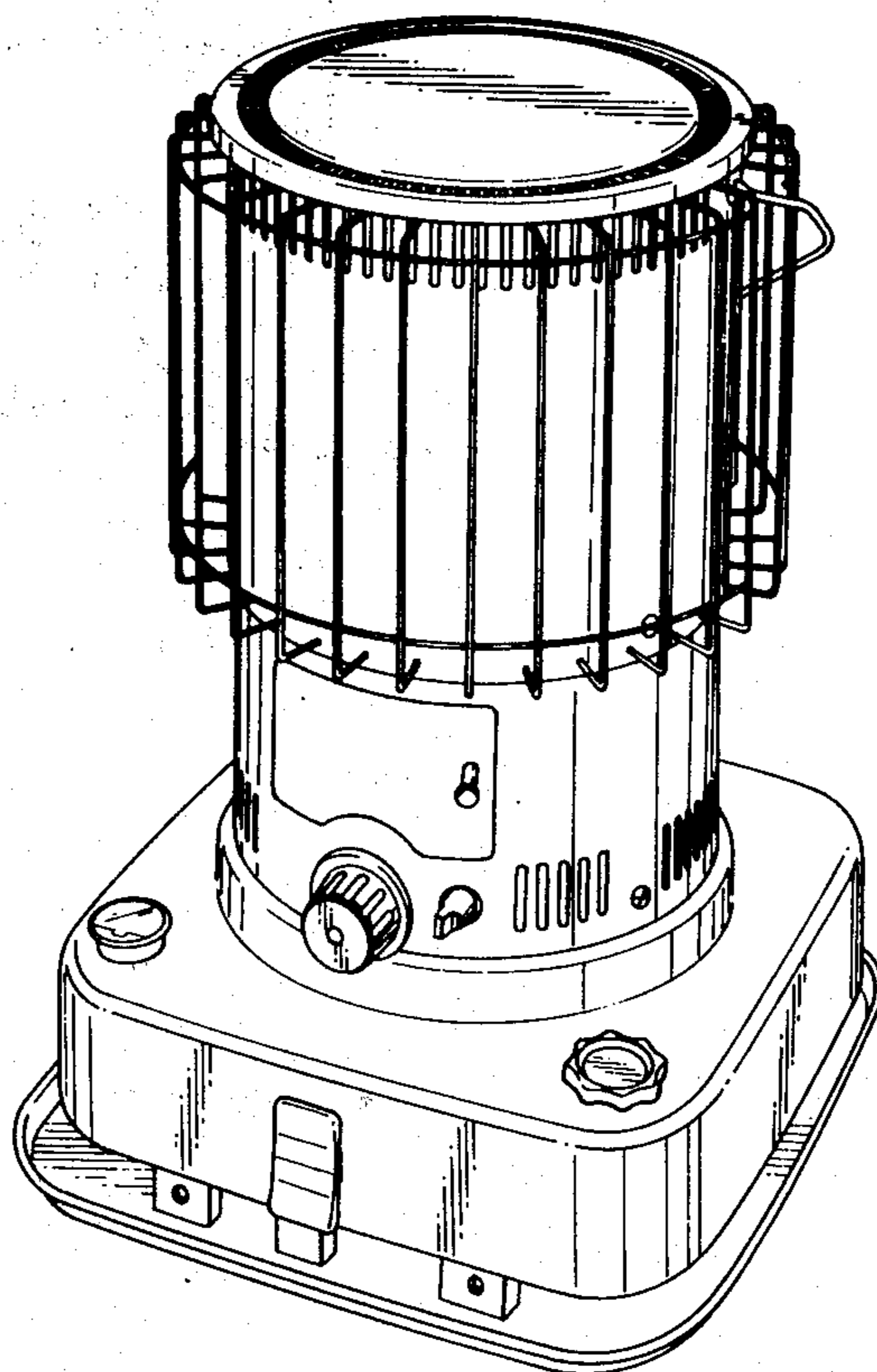
Primary Examiner—Catherine E. Kemper  
Attorney, Agent, or Firm—Sughrue, Mion, Zinn, Macpeak & Seas

[57] CLAIM

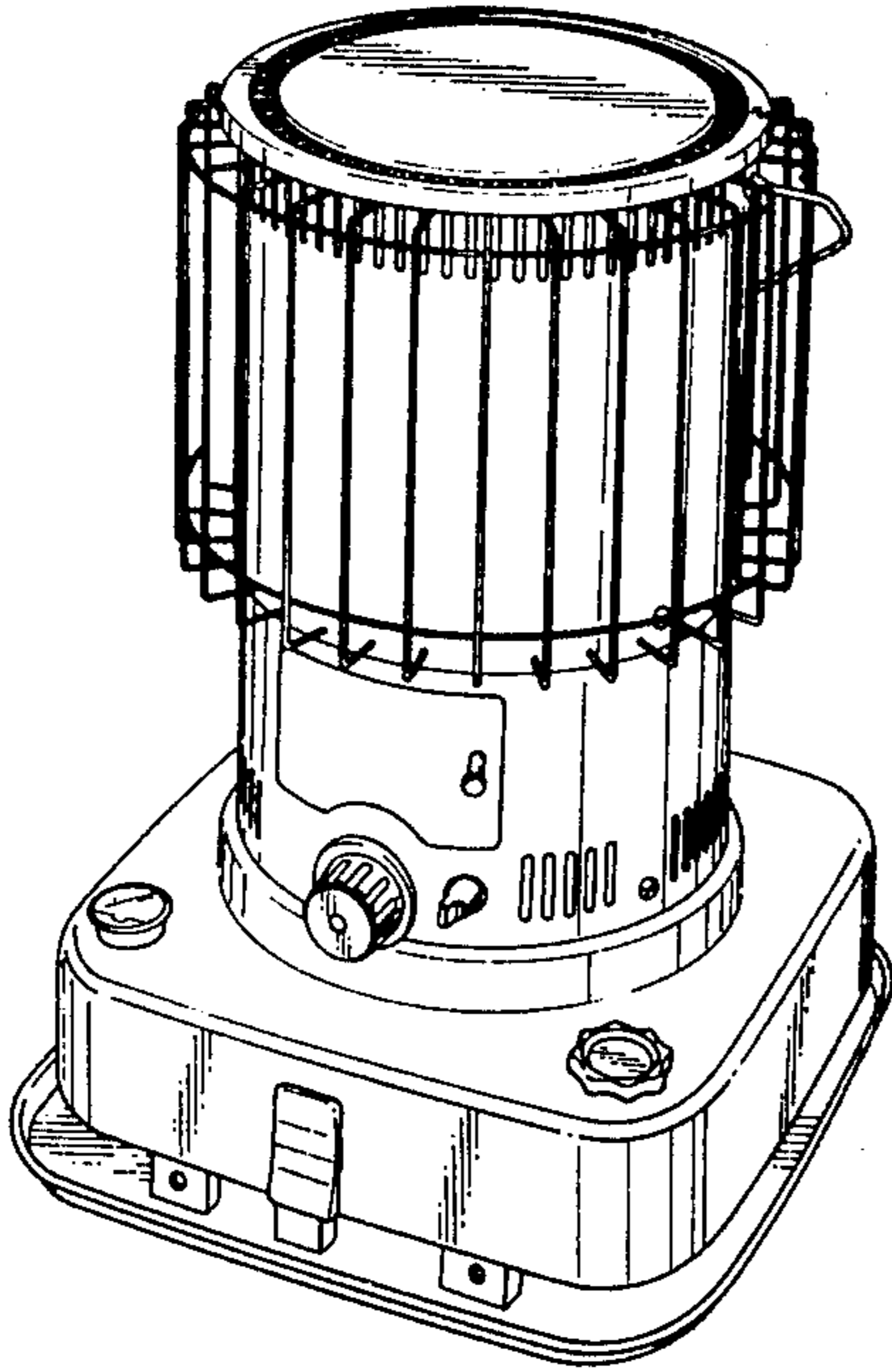
The ornamental design for an oil heater, as shown.

DESCRIPTION

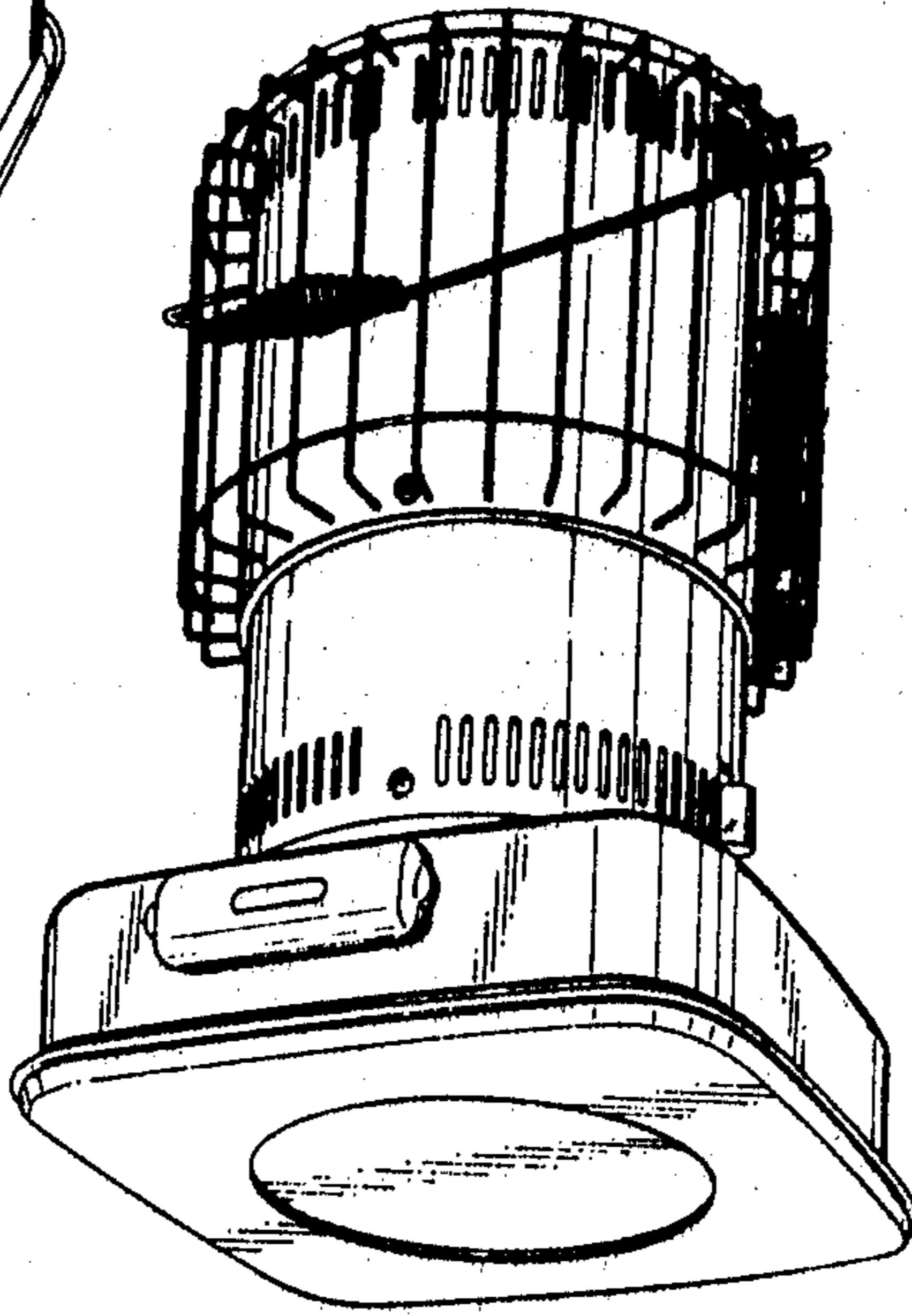
FIG. 1 is a front, top and right side perspective view of an oil heater showing our new design;  
FIG. 2 is a rear, bottom and left side perspective view thereof;  
FIG. 3 is a top plan view thereof;  
FIG. 4 is a left side elevational view thereof; and  
FIG. 5 is a right side elevational view thereof.



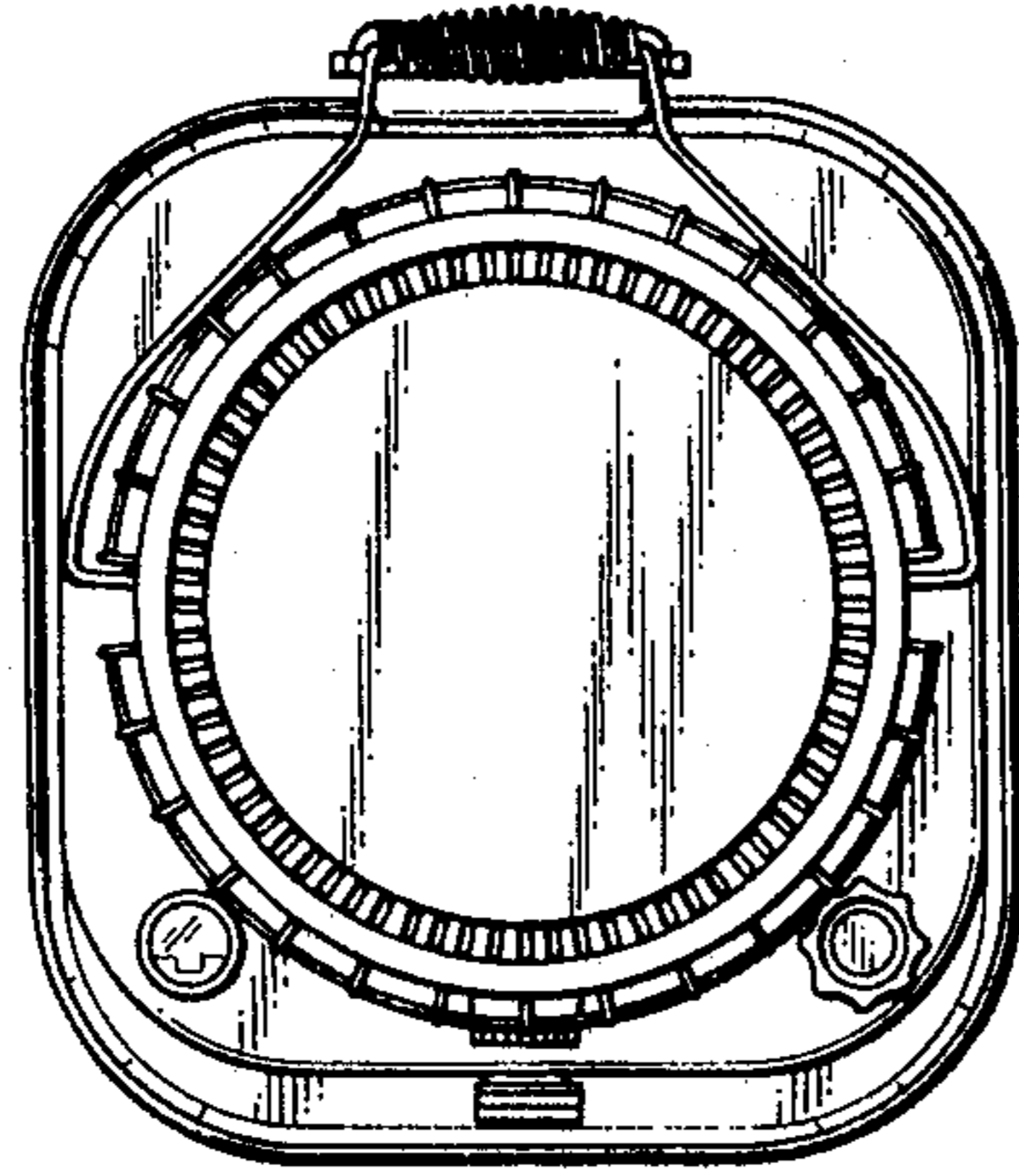
*Fig. 1*



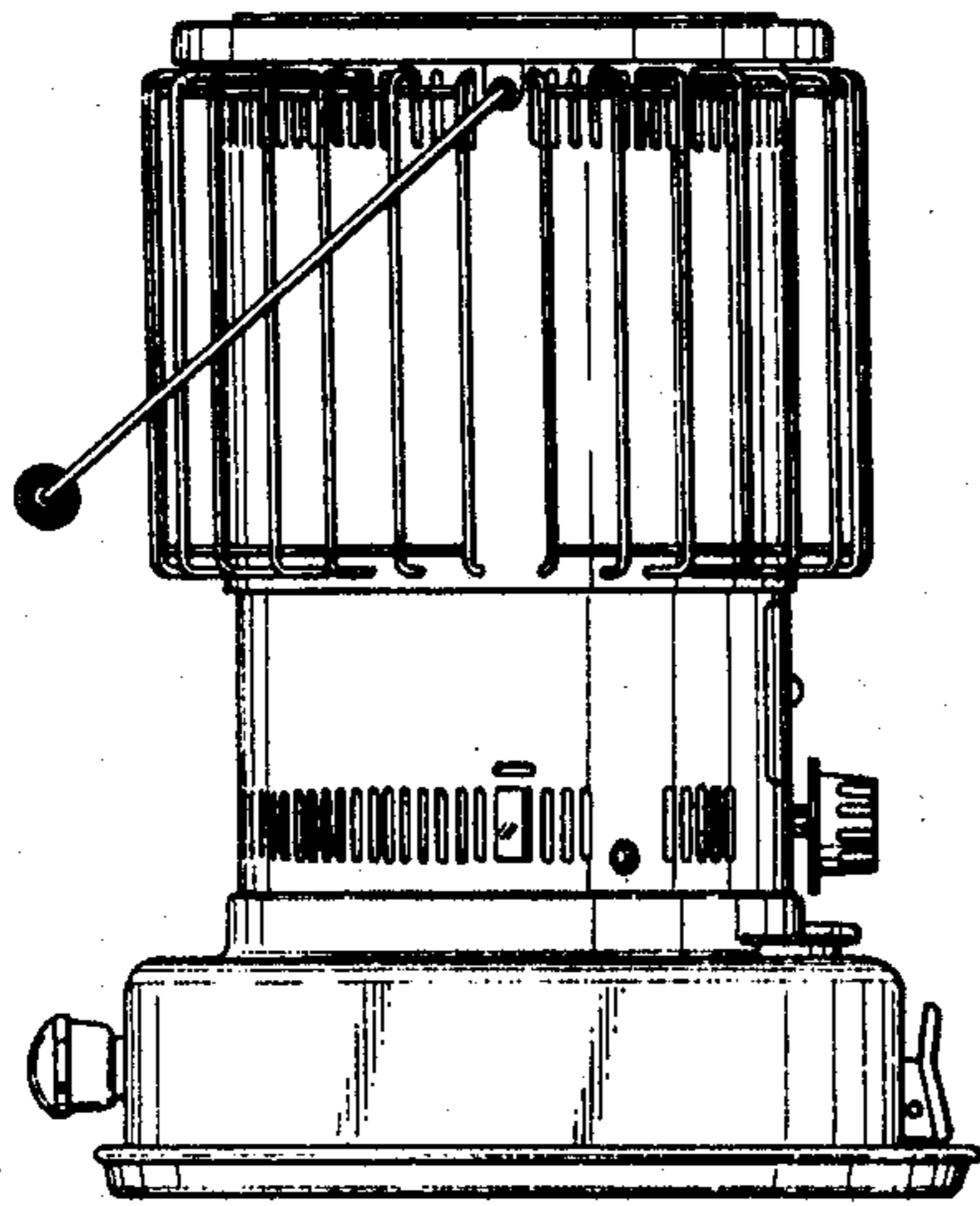
*Fig. 2*



*Fig. 3*



*Fig. 4*



*Fig. 5*

