

United States Patent [19]

Emmendorfer

[11] Patent Number: Des. 276,066

[45] Date of Patent: ** Oct. 23, 1984

[54] FIREPLACE HEATING APPLIANCE

[76] Inventor: Charles V. Emmendorfer, 11215 N. Elm Rd., Clio, Mich. 48420

[**] Term: 14 Years

[21] Appl. No.: 232,686

[22] Filed: Feb. 9, 1981

4,220,131 9/1980 Livezey 126/121
4,254,757 3/1981 Emmendorfer 126/121

Primary Examiner—Catherine E. Kemper
Attorney, Agent, or Firm—Basile, Weintraub & Hanlon

[57] CLAIM

The ornamental design for a fireplace heating appliance, as shown and described.

DESCRIPTION

FIG. 1 is a front elevational view of a fireplace heating appliance showing my new design; FIG. 2 is a left side elevational view thereof; FIG. 3 is a right side elevational view thereof; FIG. 4 is a top plan view thereof; FIG. 5 is a bottom plan view thereof, and FIG. 6 is a rear elevational view thereof. FIG. 7 is a front elevational view of a second embodiment of a fireplace heating appliance wherein the only difference resides in the angled sides of the back panel; FIG. 8 is a side elevational view of a third embodiment of a fireplace heating appliance wherein the only difference resides in the rise of straight conduits.

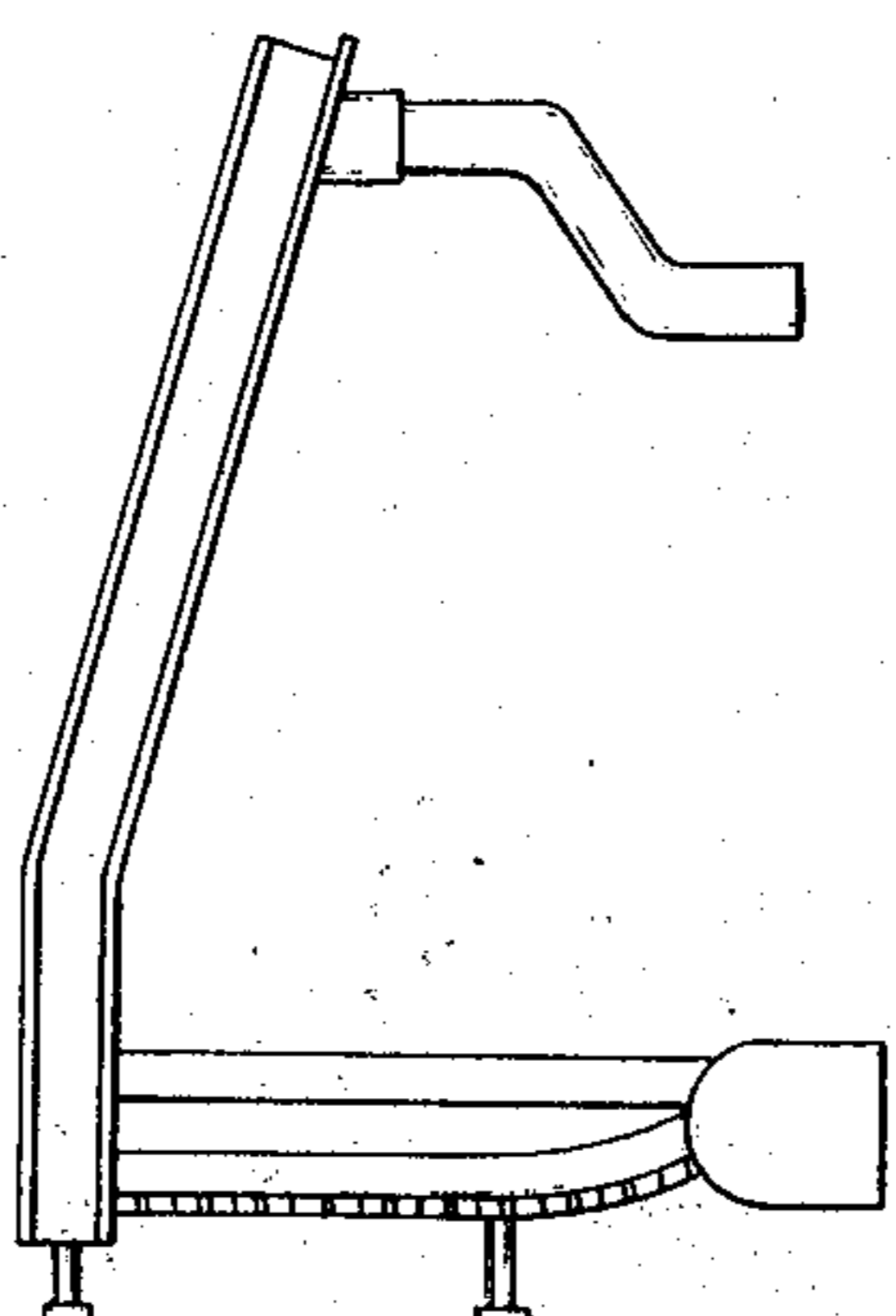
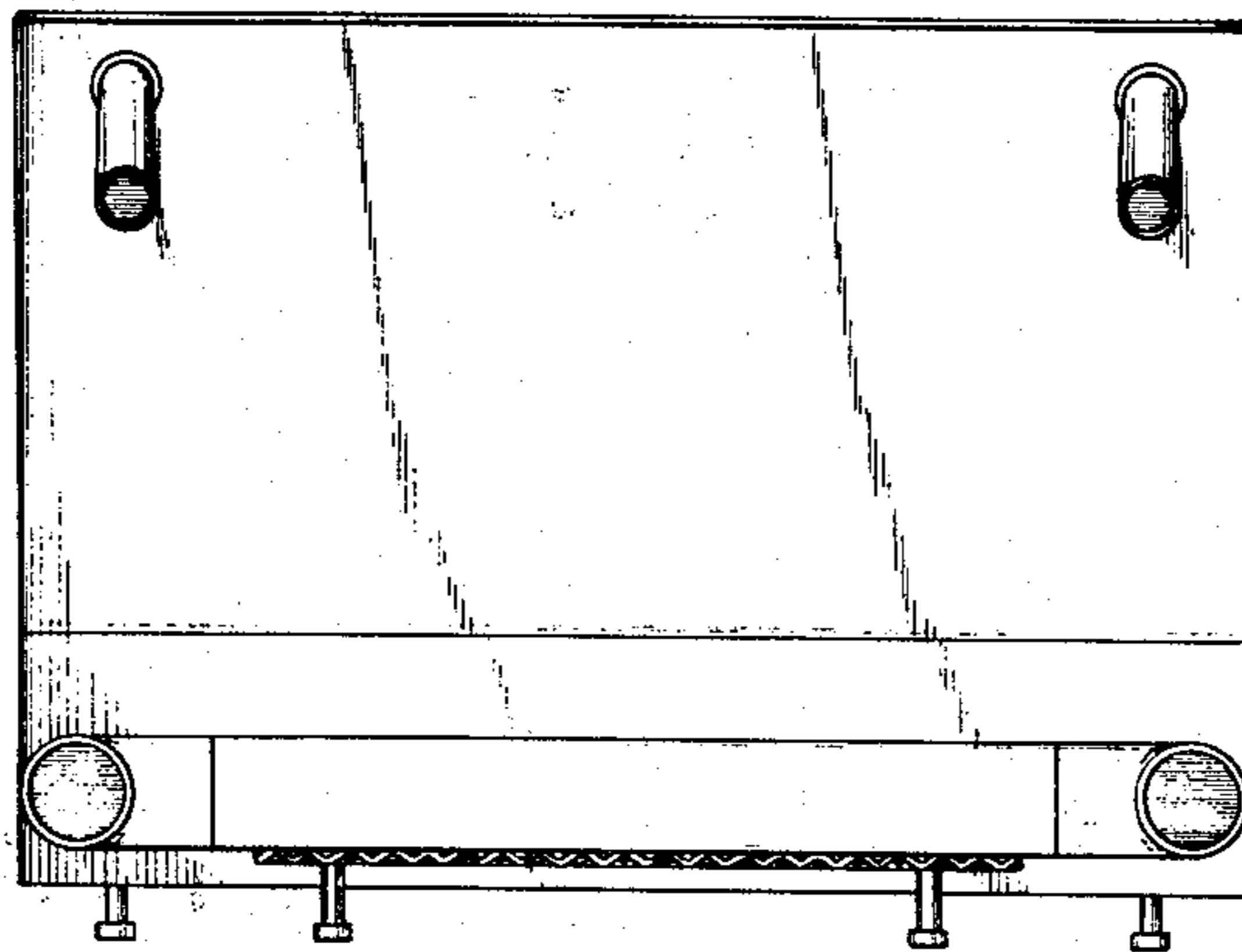
Related U.S. Application Data

[63] Continuation-in-part of Ser. No. 60,178, Jul. 24, 1979.
[52] U.S. Cl. D23/95
[58] Field of Search 126/120, 121, 163, 164,
126/165, 131, 132, 141, 298; D23/94, 95, 138.4,
138.5, 138.1, 135

[56] References Cited

U.S. PATENT DOCUMENTS

3,905,351 9/1975 Hatfield et al. 126/164 X
4,018,208 4/1977 Hamilton 126/121
4,120,281 10/1978 Wass 126/121



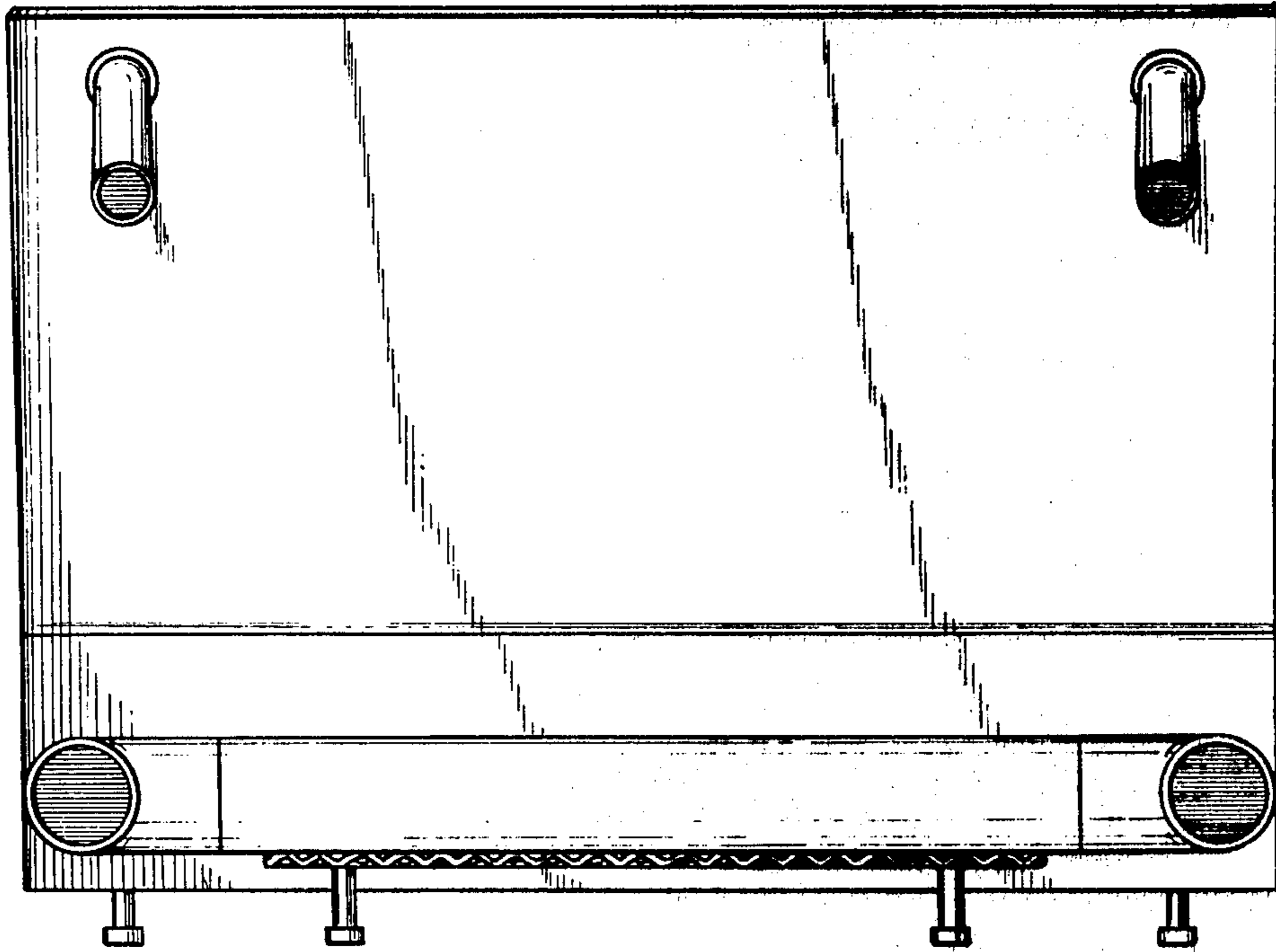


Fig-1

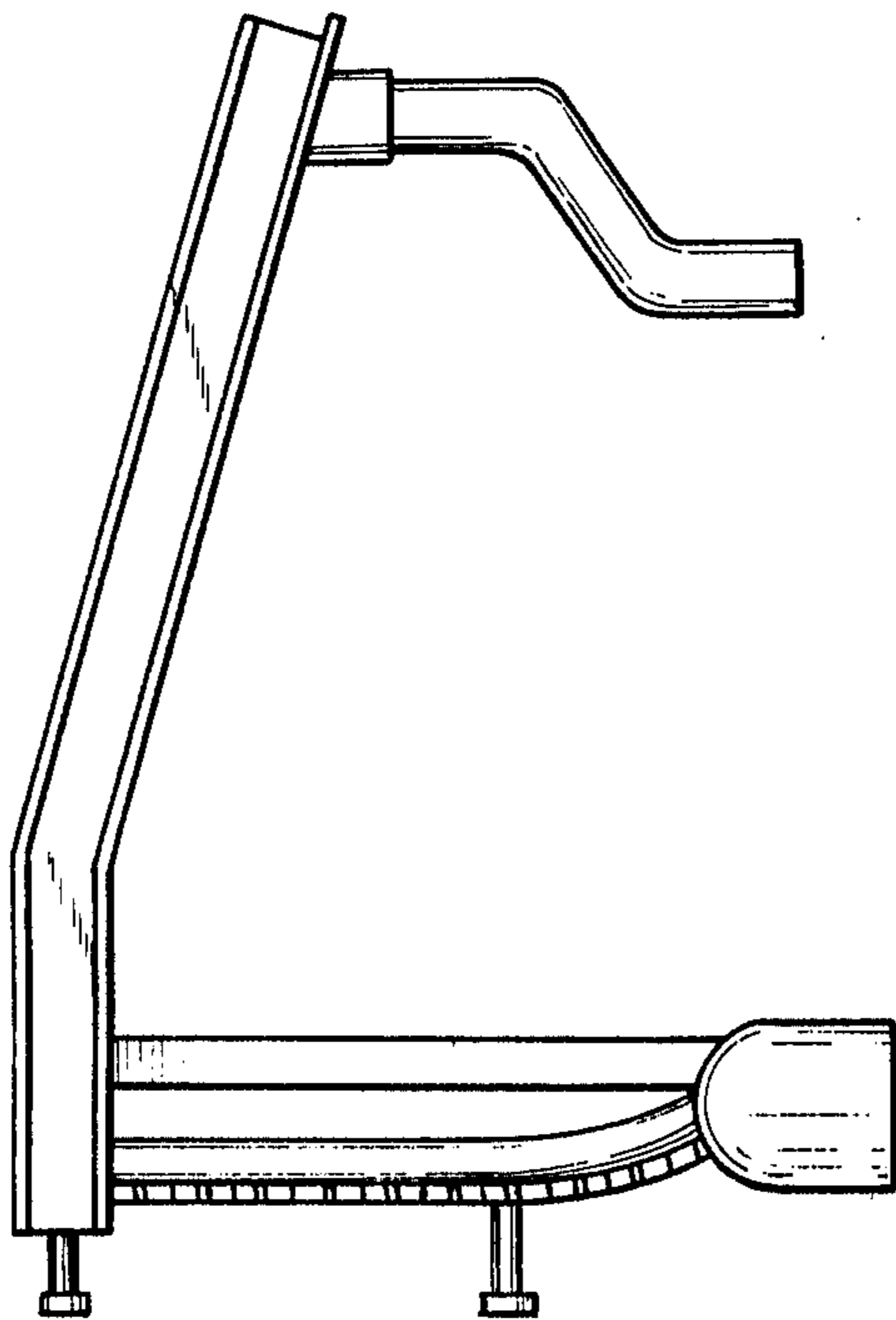


Fig-2

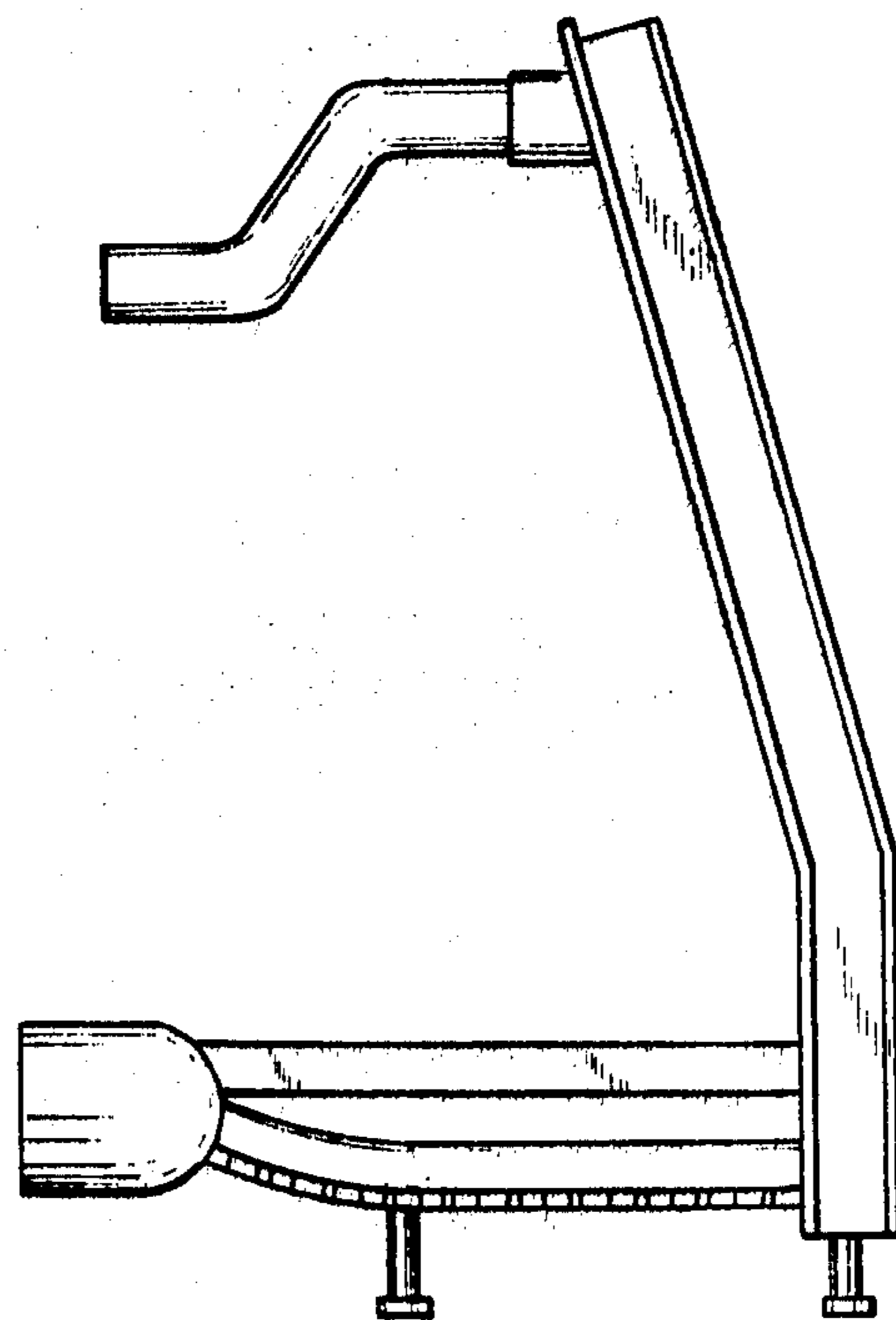


Fig-3

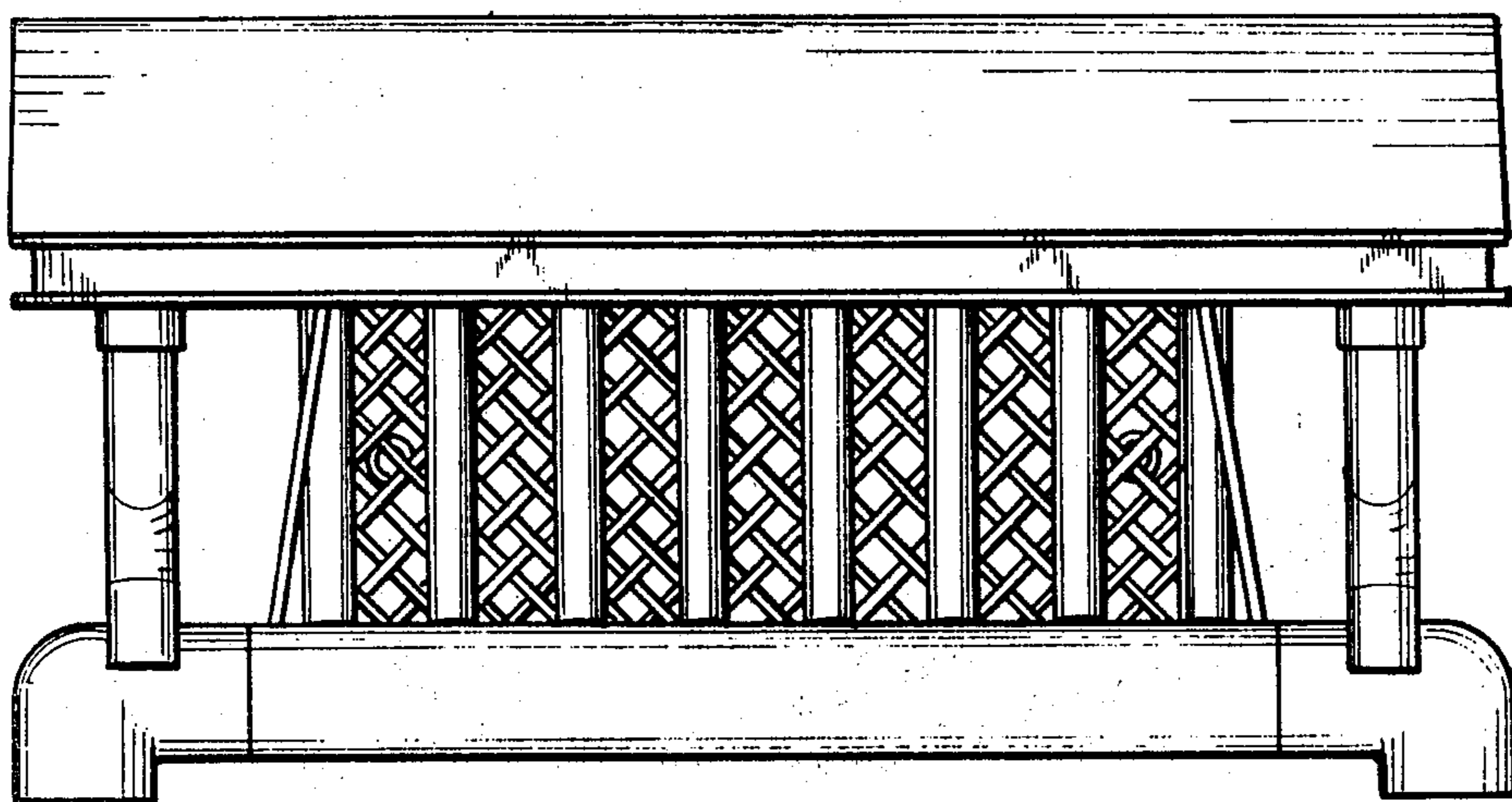


Fig-4

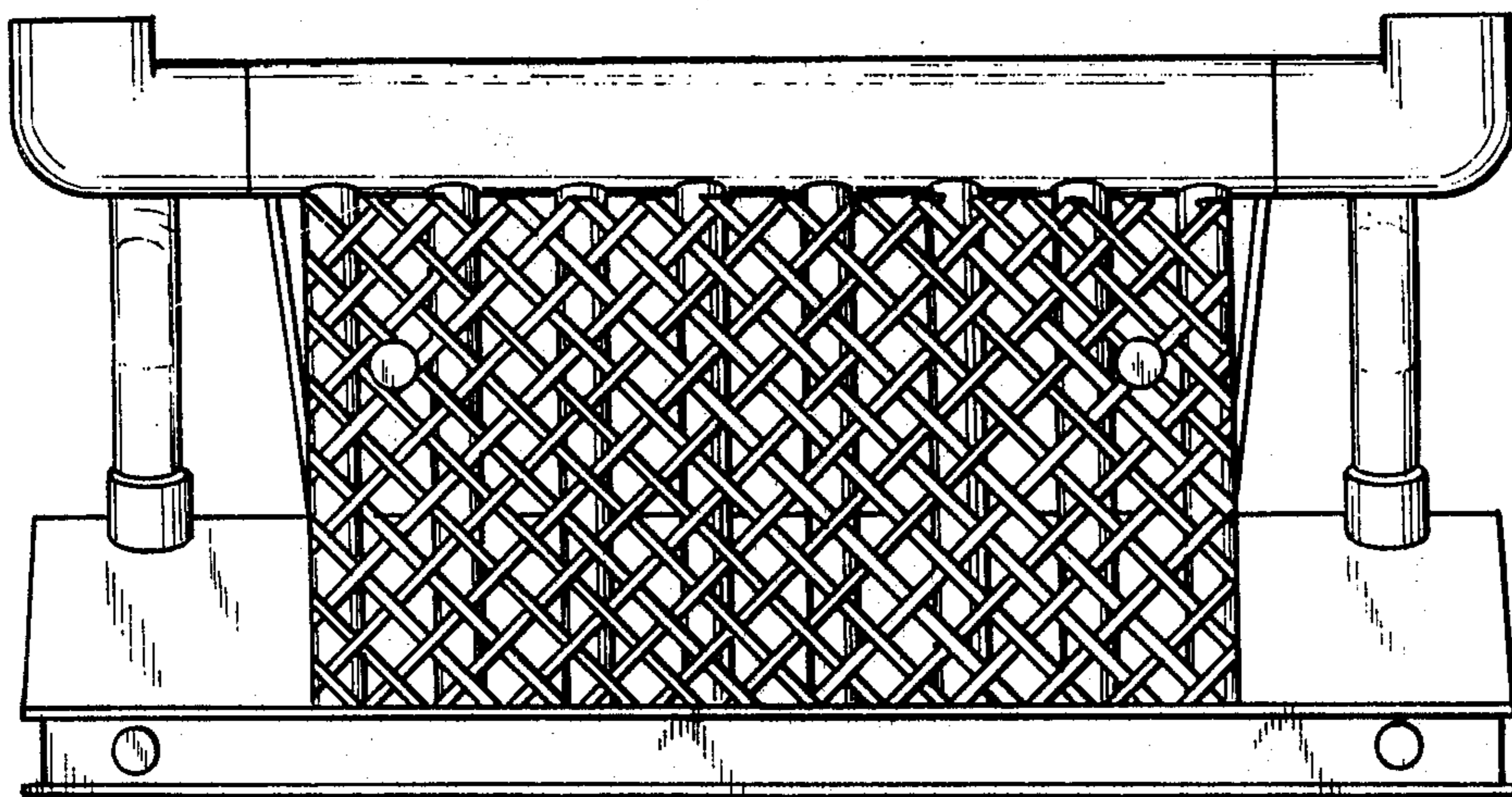


Fig-5

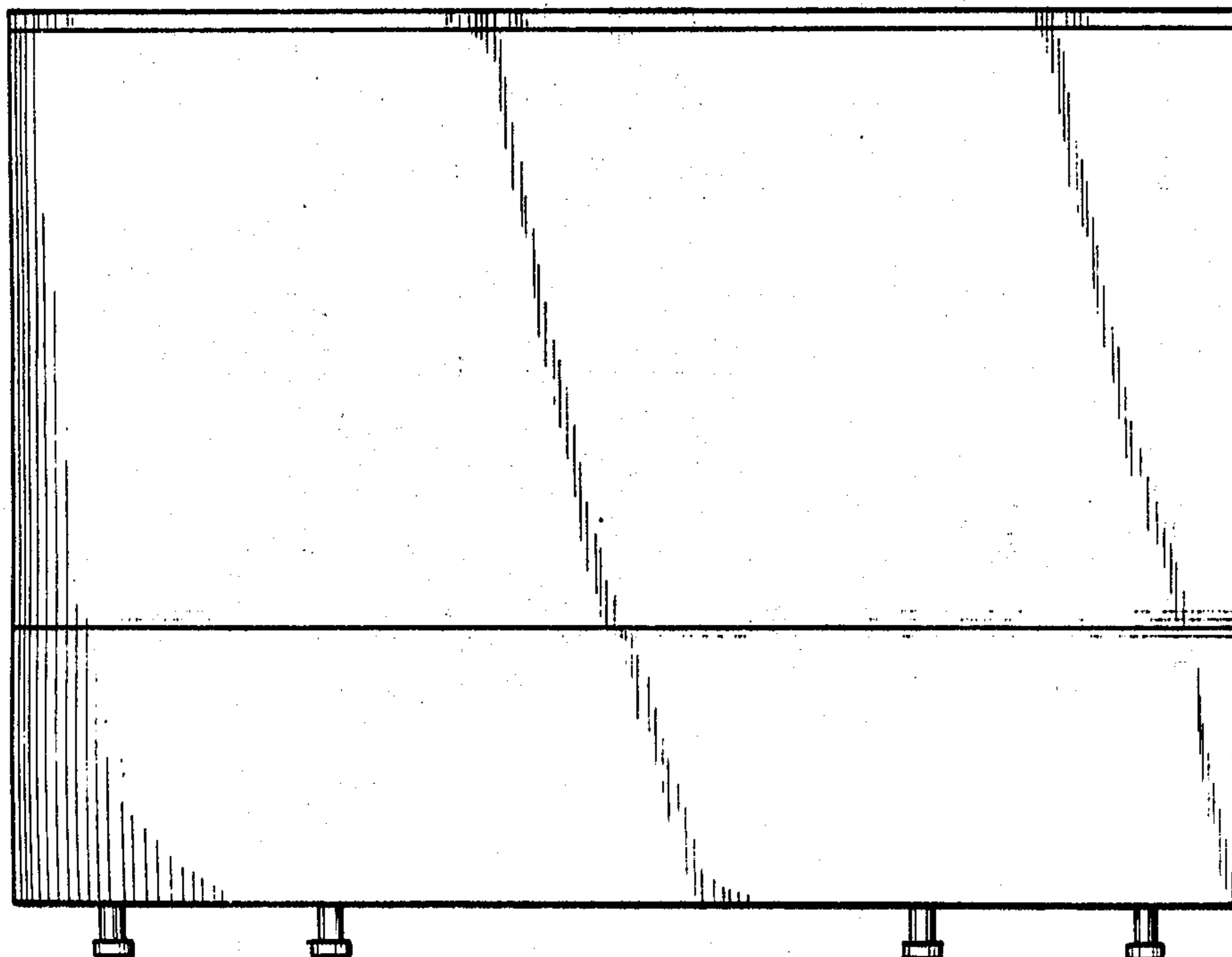


Fig-6

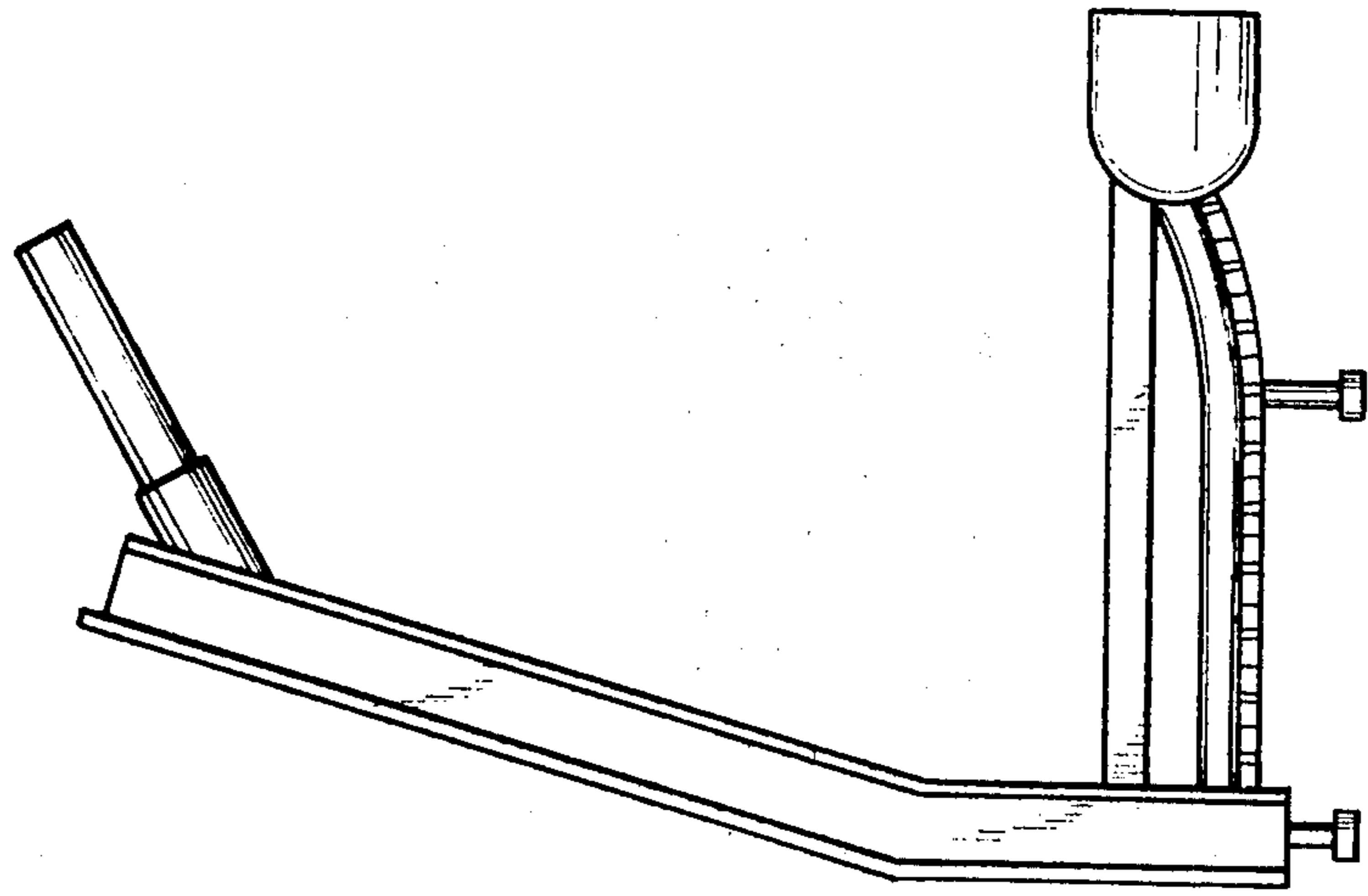


Fig-8

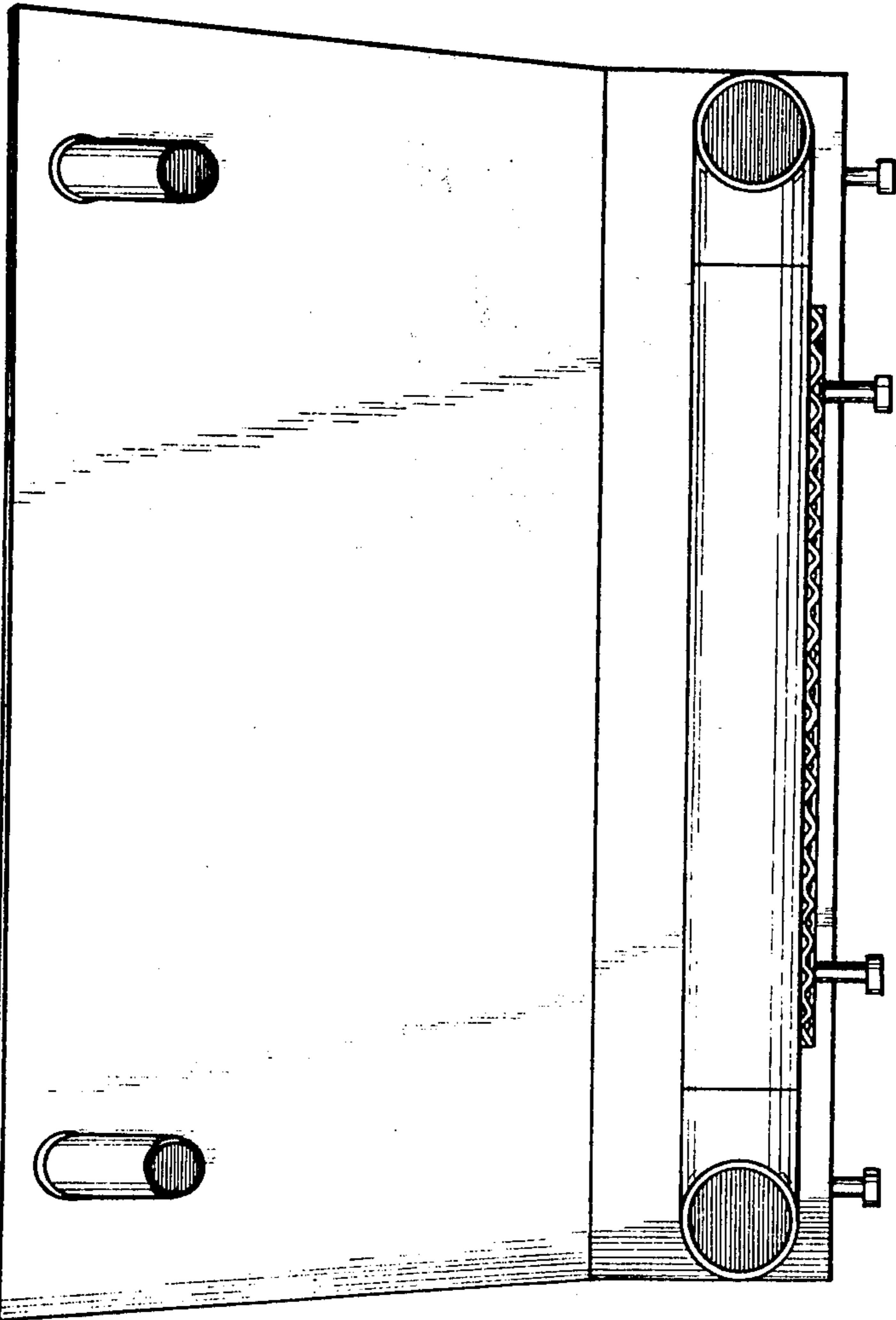


Fig-7