

[54] **TOY VEHICLE HUB**

[75] **Inventor: Mel Mednick, New City, N.Y.**

[73] **Assignee: L.J.N. Toys, Ltd., New York, N.Y.**

[**] **Term: 14 Years**

[21] **Appl. No.: 362,835**

[22] **Filed: Mar. 29, 1982**

[52] **U.S. Cl. D21/141**

[58] **Field of Search D21/141, 140, 128, 129,
D21/132-139; 46/221**

[56] **References Cited**

U.S. PATENT DOCUMENTS

D. 55,032 5/1920 Fuhrmann D21/137

FOREIGN PATENT DOCUMENTS

657511 3/1938 Fed. Rep. of Germany 46/221

Primary Examiner—Melvin B. Feifer

[57] **CLAIM**

The ornamental design for a toy vehicle hub, substantially as shown and described.

DESCRIPTION

FIG. 1 is a side elevational view of a toy vehicle, shown in broken lines, comprising the environment for a toy vehicle hub;

FIG. 2 is a front elevational view of the toy vehicle hub showing my new design;

FIG. 3 is a side elevational view thereof;

FIG. 4 is a side view taken in the direction of 4—4 arrows in FIG. 3.

FIG. 5 is a sectional view thereof taken along line 5—5 looking in the direction of the arrows.

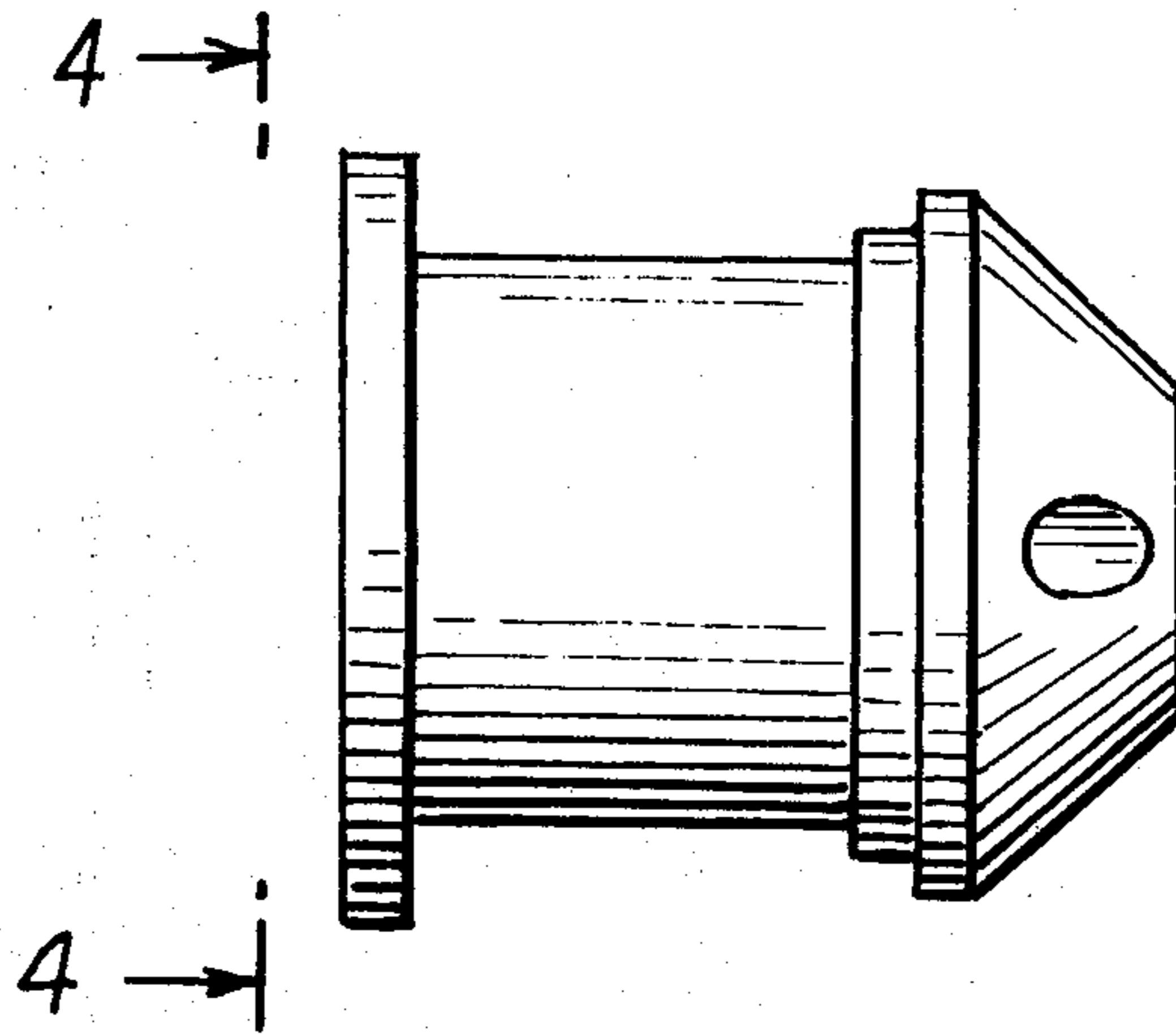


Fig. 1.

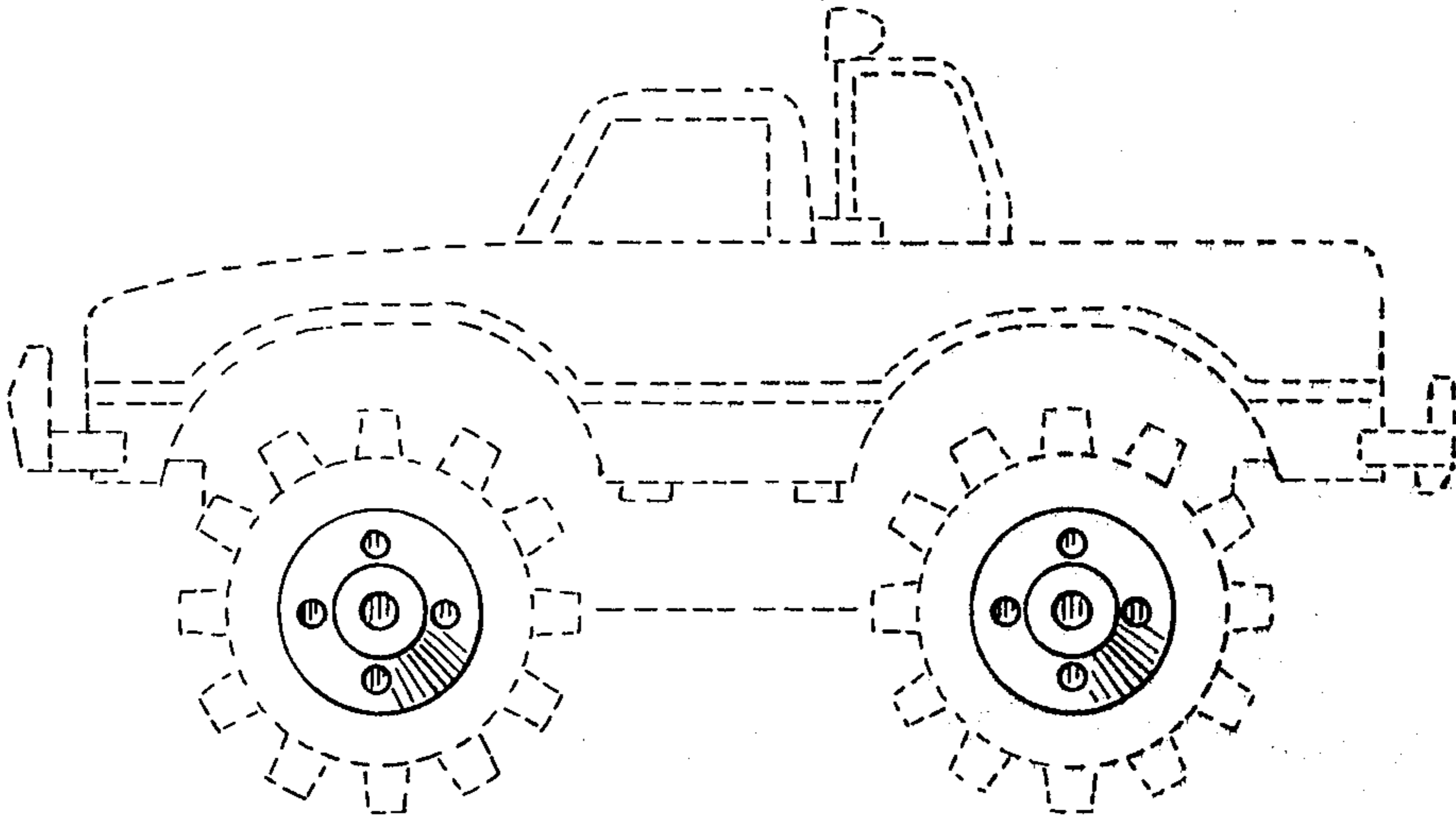


Fig. 2.

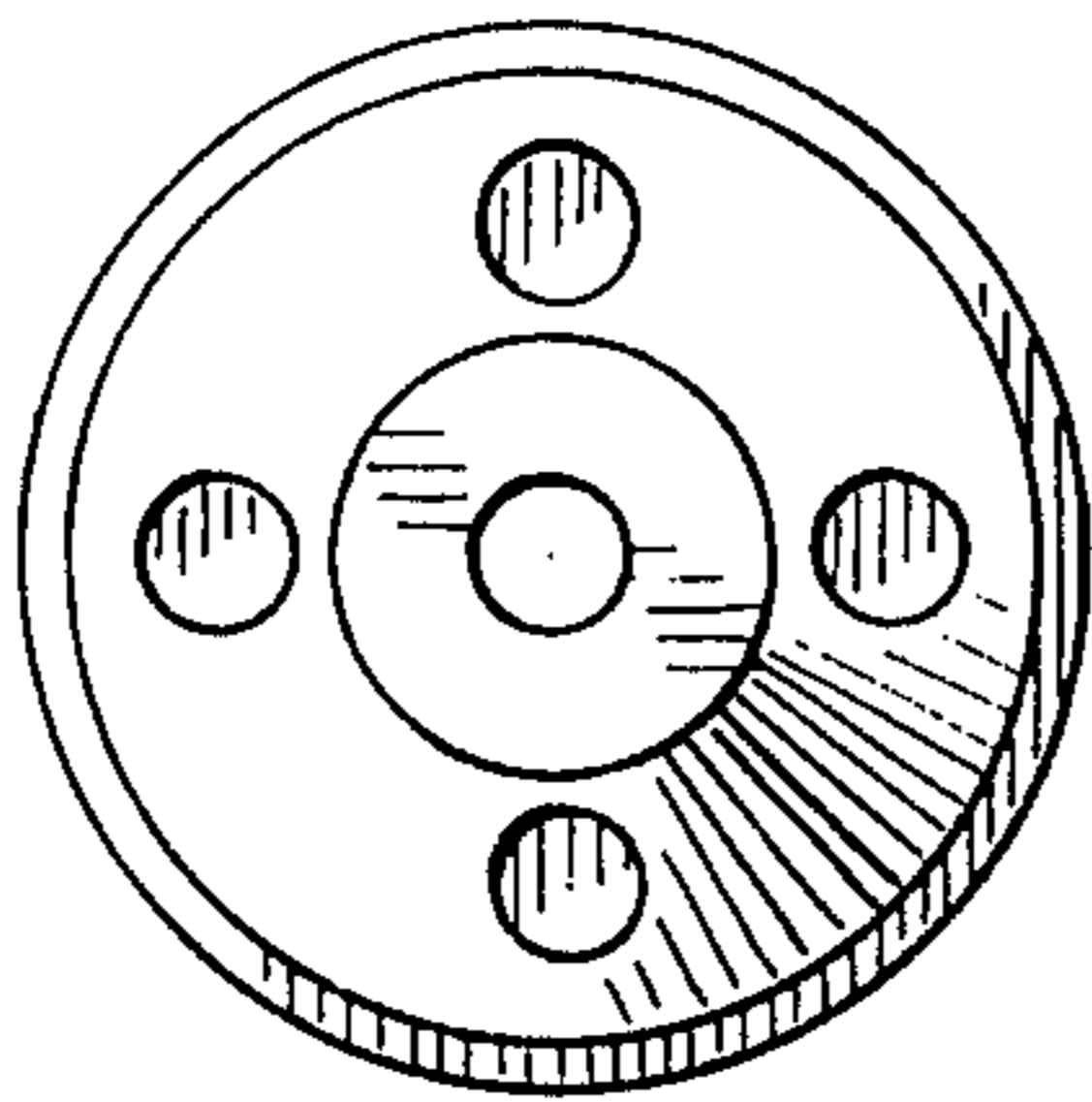


Fig. 3.

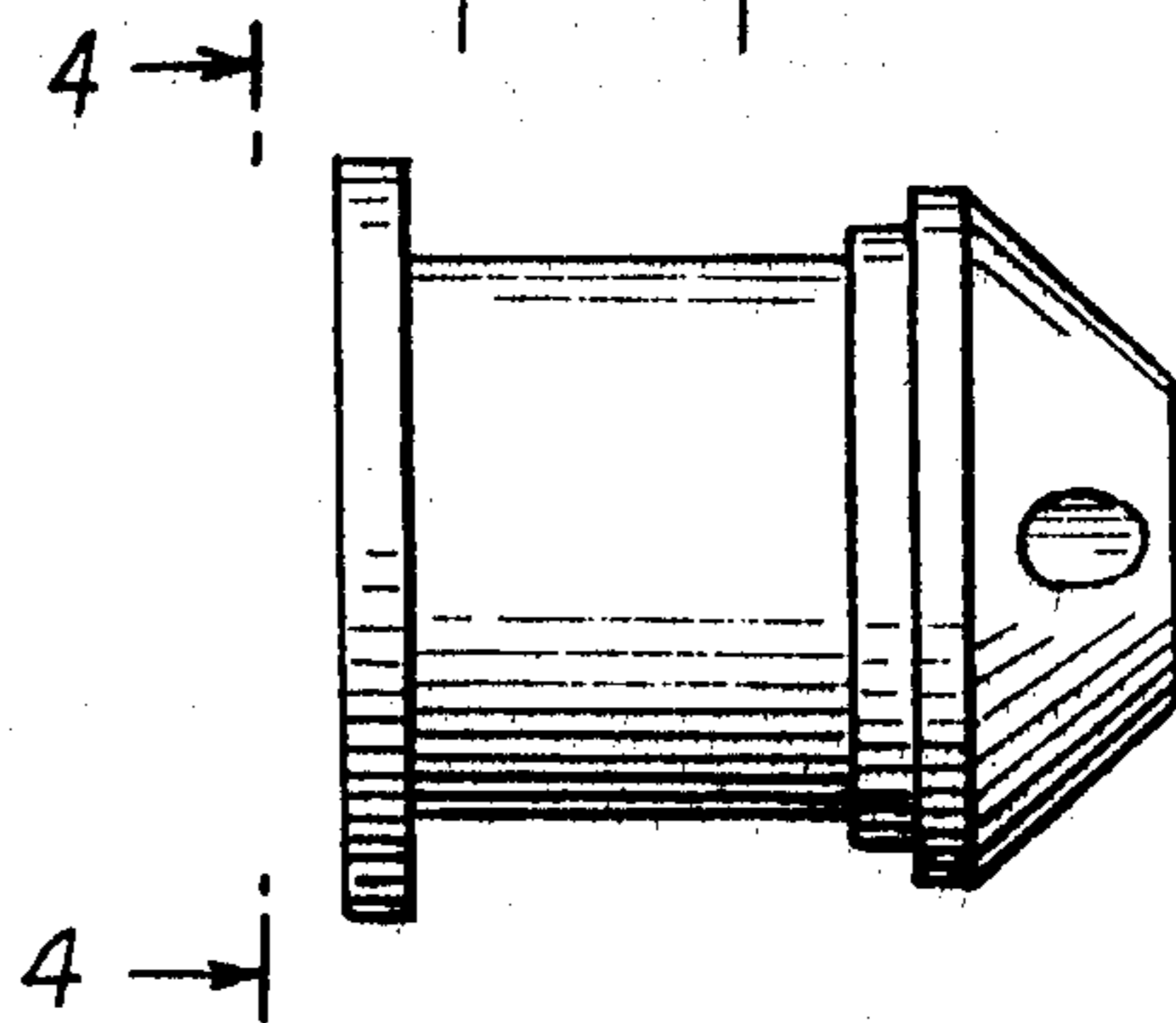


Fig. 4.

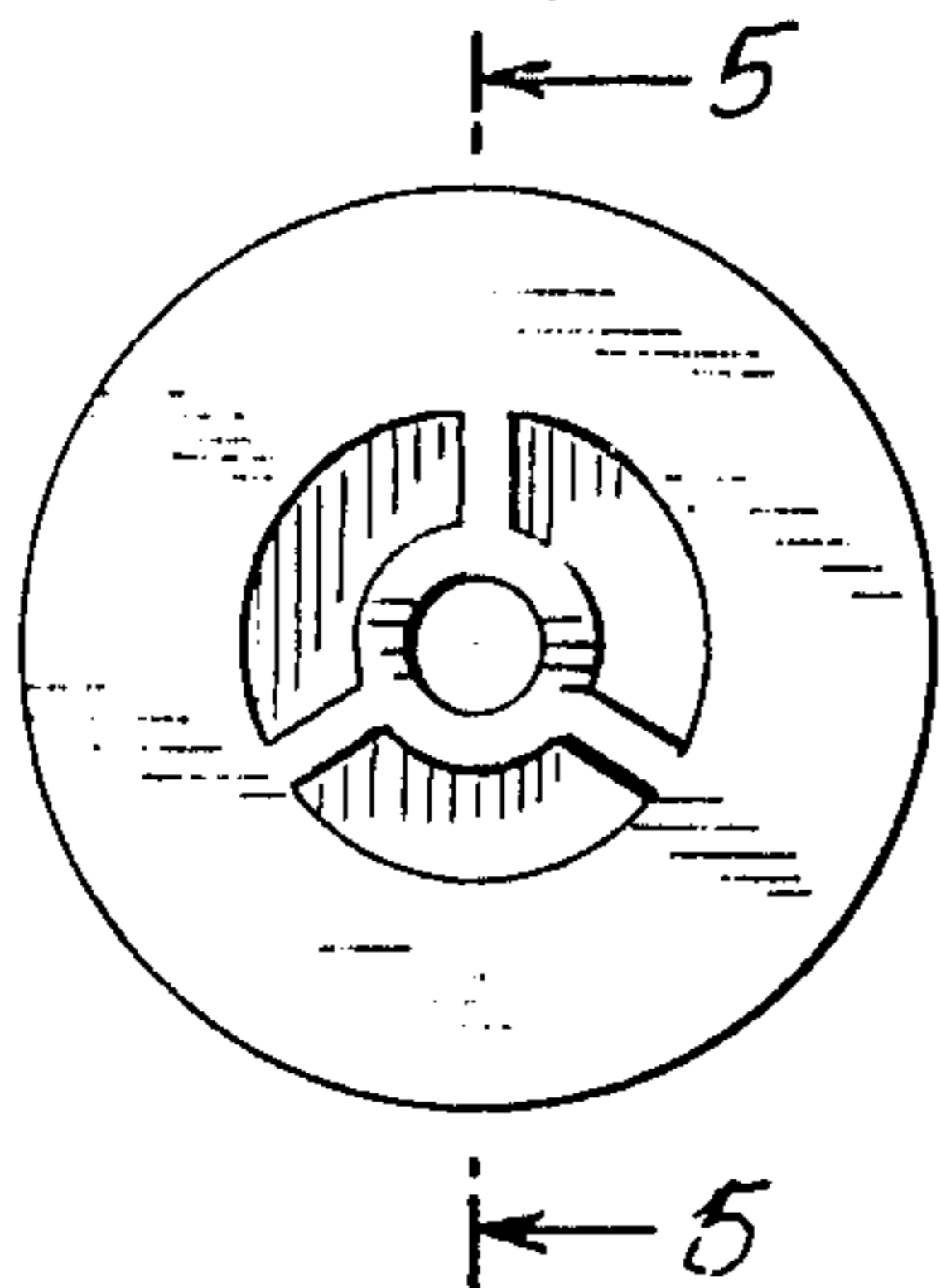


Fig. 5.

