

- [54] **TOY DRUM SET**
[75] **Inventor: Herbert A. Plassmann, Bryan, Ohio**
[73] **Assignee: The Ohio Art Company, Bryan, Ohio**
[**] **Term: 14 Years**
[21] **Appl. No.: 343,758**
[22] **Filed: Jan. 28, 1982**
[52] **U.S. Cl. D21/64**
[58] **Field of Search D21/63, 64, 65, 59;**
46/189, 193, 190, 175 R, 174, 177; D17/22, 23;
84/411 R, 421

[56] **References Cited**

U.S. PATENT DOCUMENTS

D. 249,577	9/1978	Bergman	D34/15 C
3,146,659	9/1964	Robba et al.	84/422
3,433,115	3/1969	Kjelstrom	84/411
3,489,052	1/1970	Colyer et al.	84/422
3,774,823	11/1973	Hoellerich	224/5 S
3,867,863	2/1975	Vennola et al.	84/420
3,974,732	8/1976	Kester, Jr.	84/421
4,126,075	11/1978	Kurosaki	84/421
4,158,980	6/1979	Gauger	84/421

OTHER PUBLICATIONS

Sears Wish Book, 1980, p. 563, Item #13, Drum set.
Sears Xmas Book, 1958, p. 395, Item #79NO566 "Trap Set".
Montgomery Ward, 1963 Toy Yearbook, p. 304, Item #9, "Deluxe Trap Drum Set".

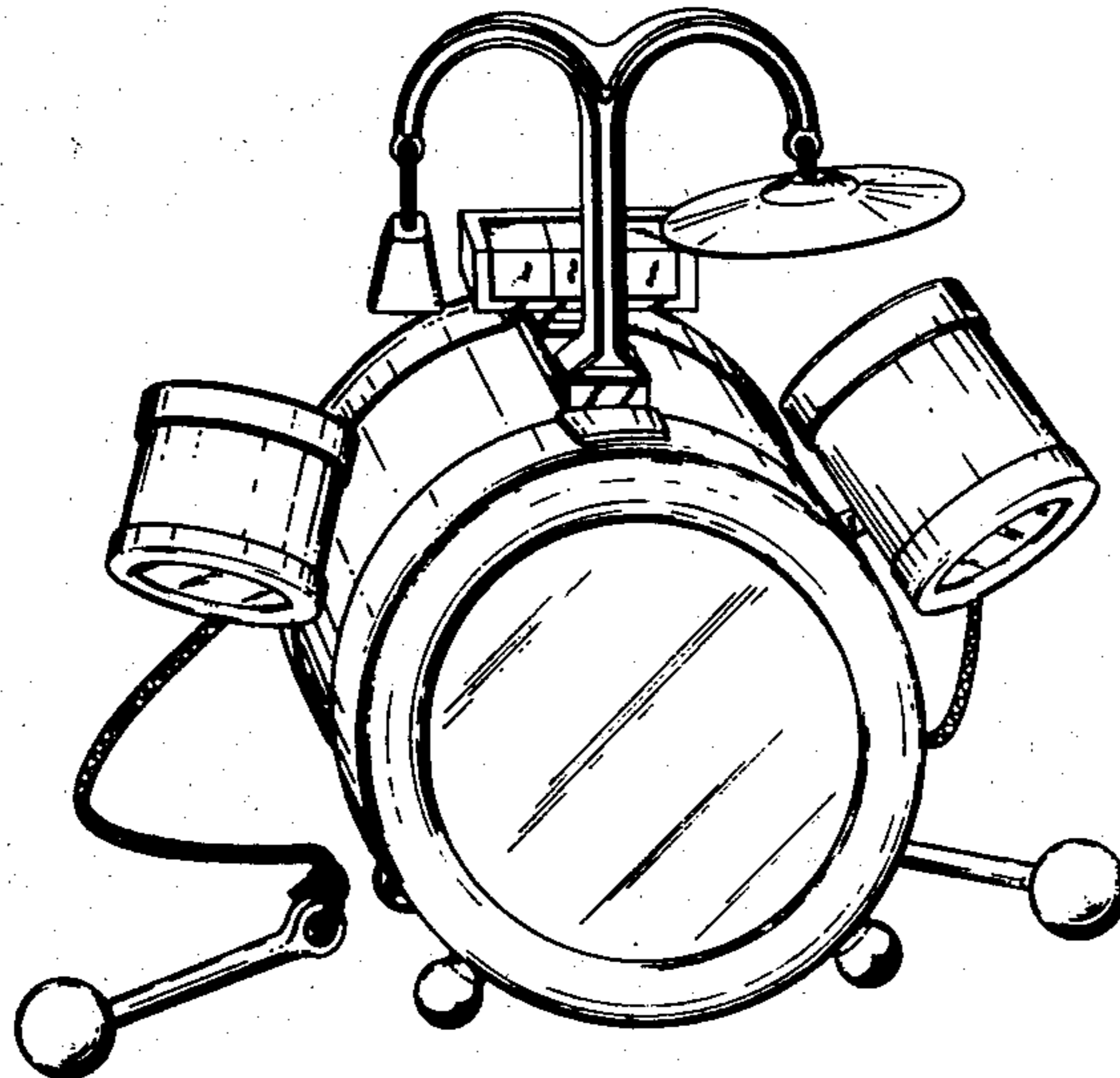
Primary Examiner—Charles A. Rademaker
Attorney, Agent, or Firm—Hugh Adam Kirk

[57] **CLAIM**

The ornamental design for a toy drum set, substantially as shown and described.

DESCRIPTION

FIG. 1 is a front perspective view of a toy drum set showing my new design;
FIG. 2 is a front elevational view thereof;
FIG. 3 is a rear elevational view thereof;
FIG. 4 is a right elevational view thereof;
FIG. 5 is a left elevational view thereof;
FIG. 6 is a top plan view thereof;
FIG. 7 is a bottom plan view of the set shown in FIG. 1.



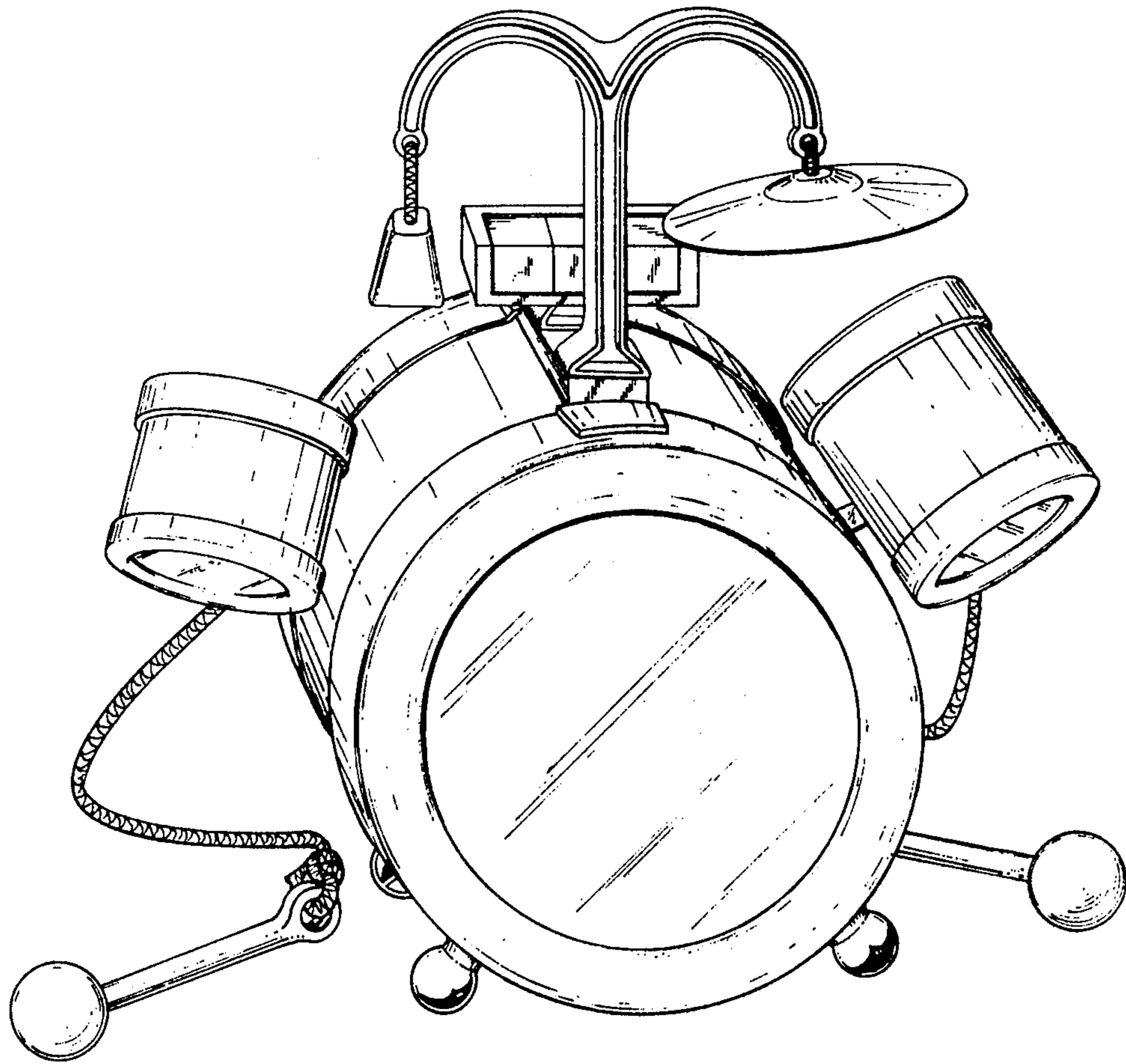


FIG. 1

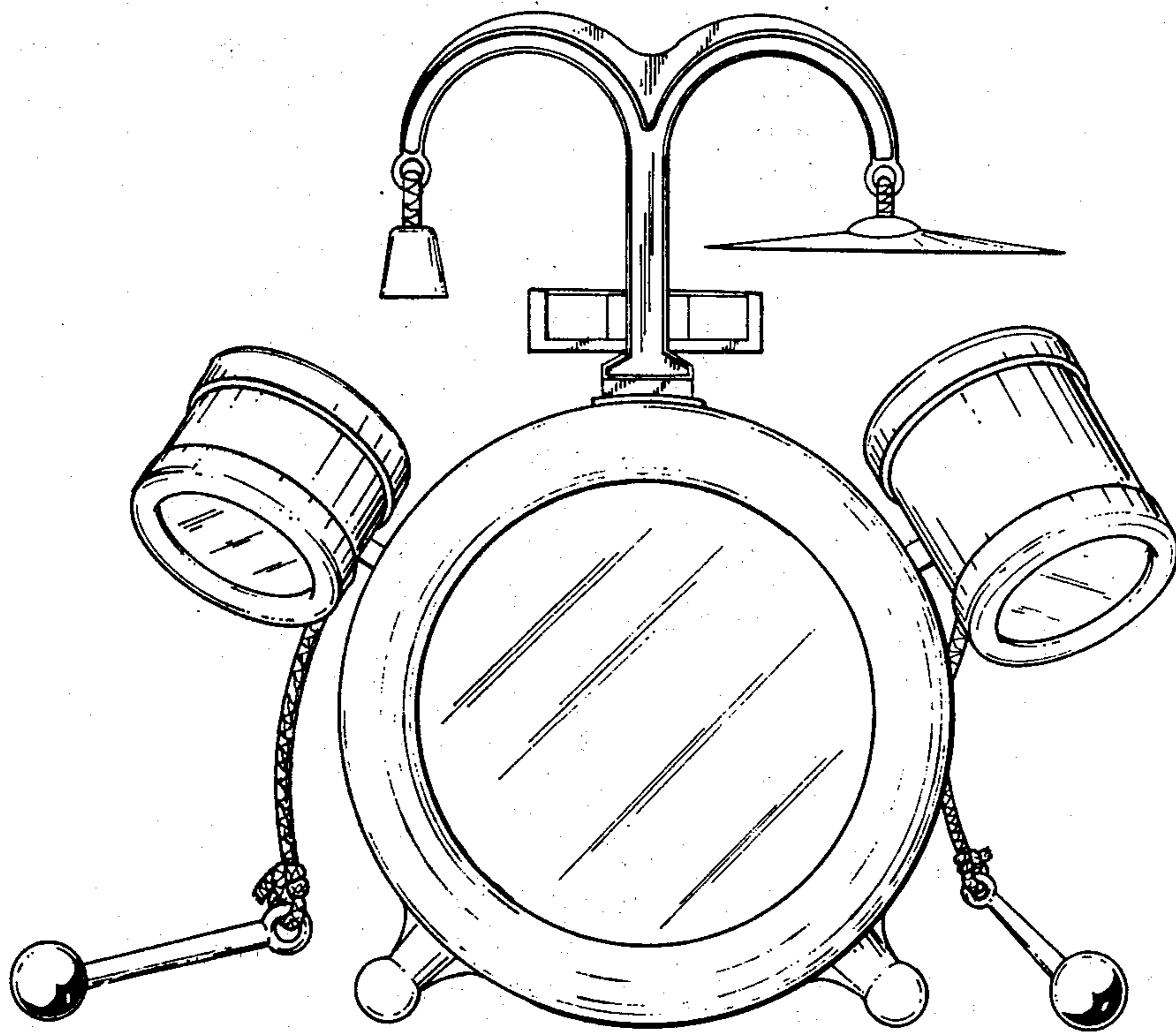


FIG. 2

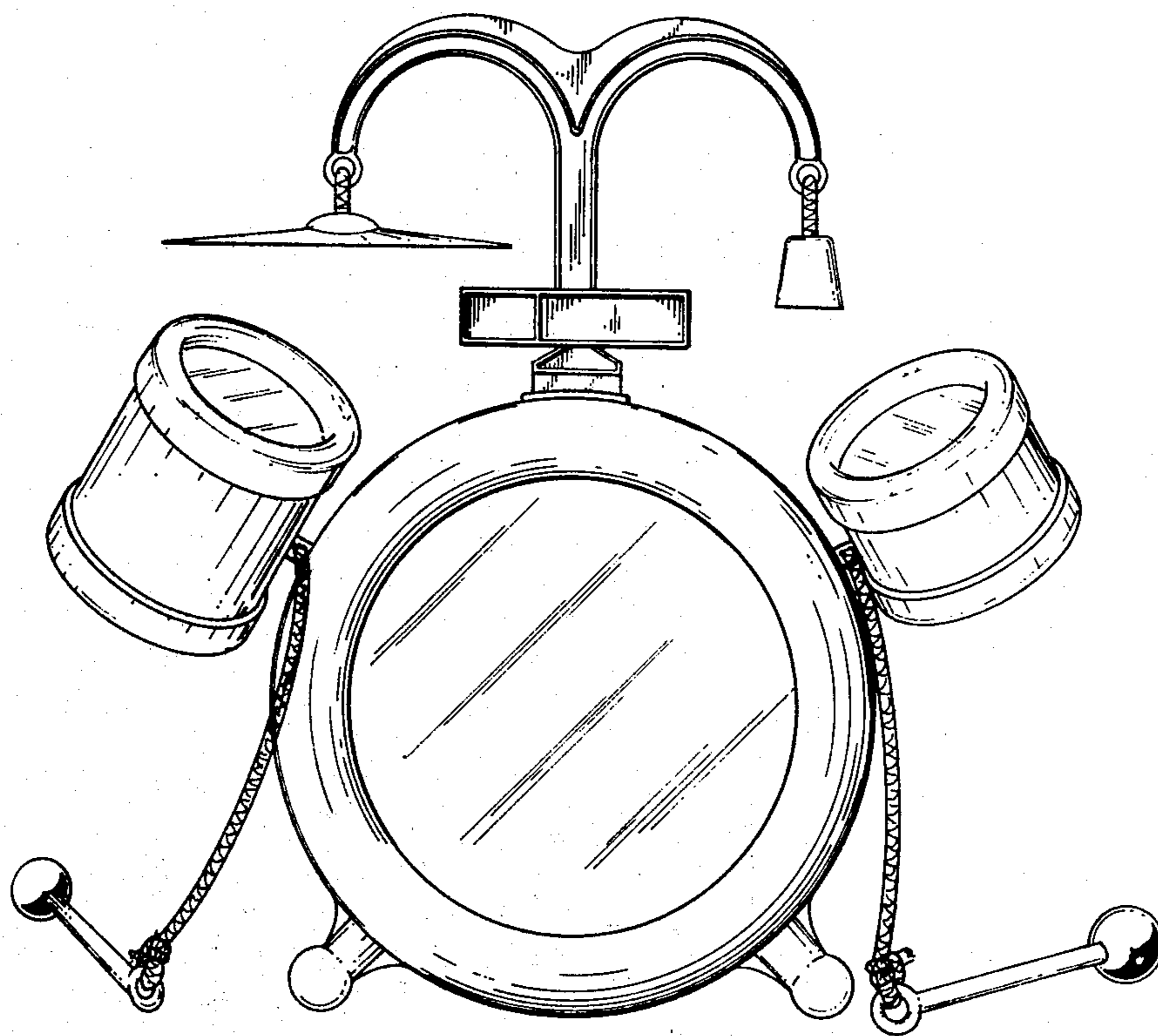


FIG. 3

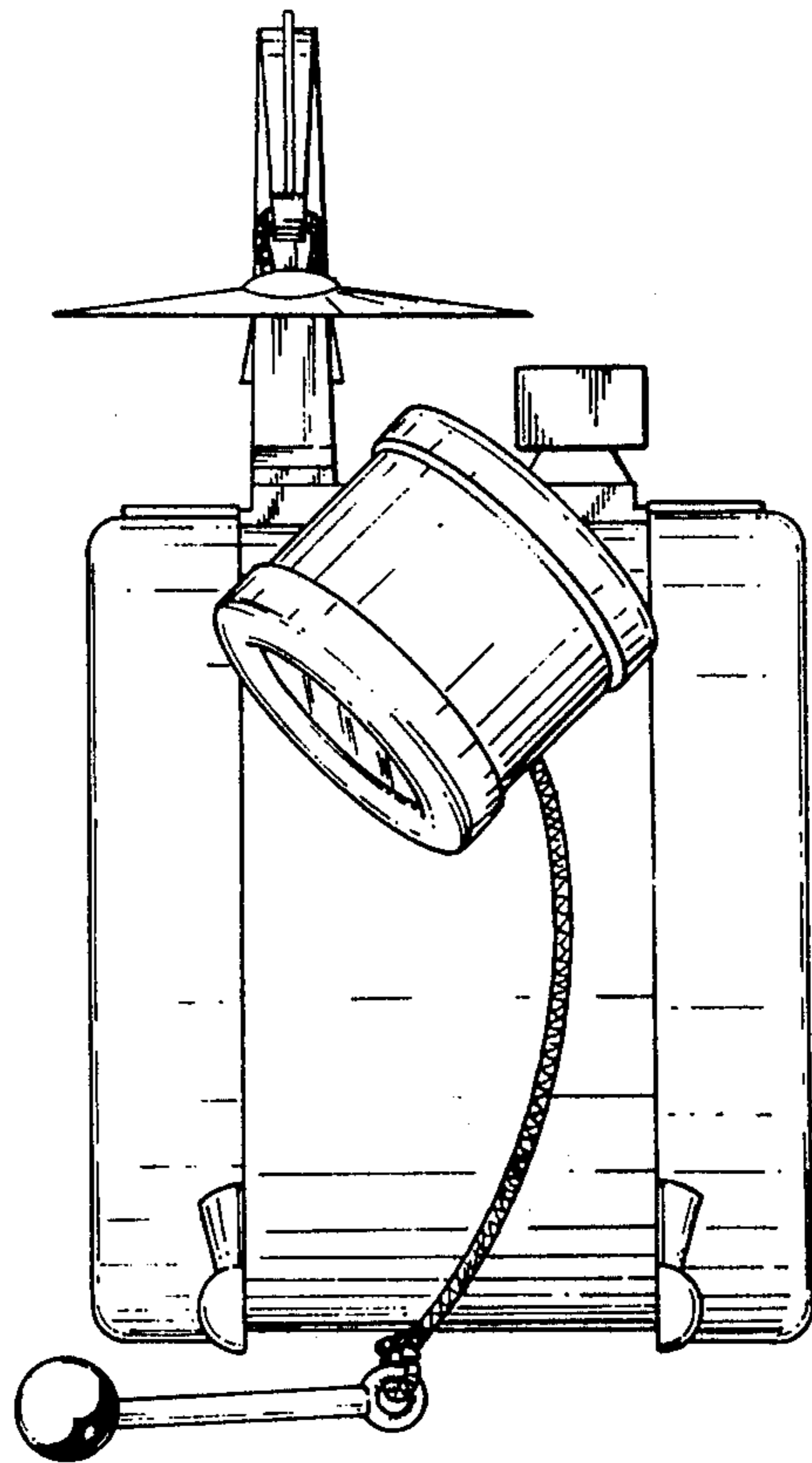


FIG. 4

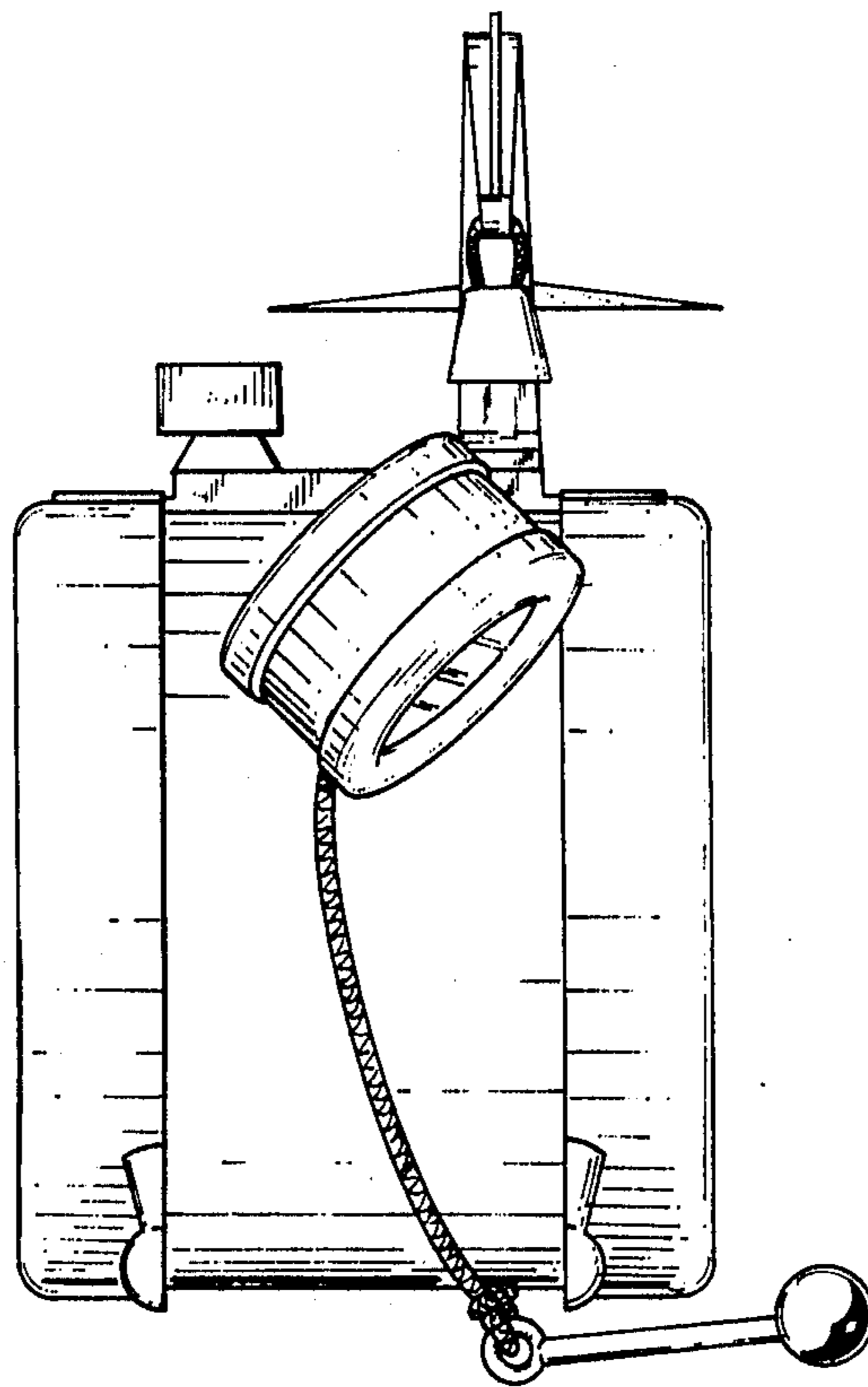


FIG. 5

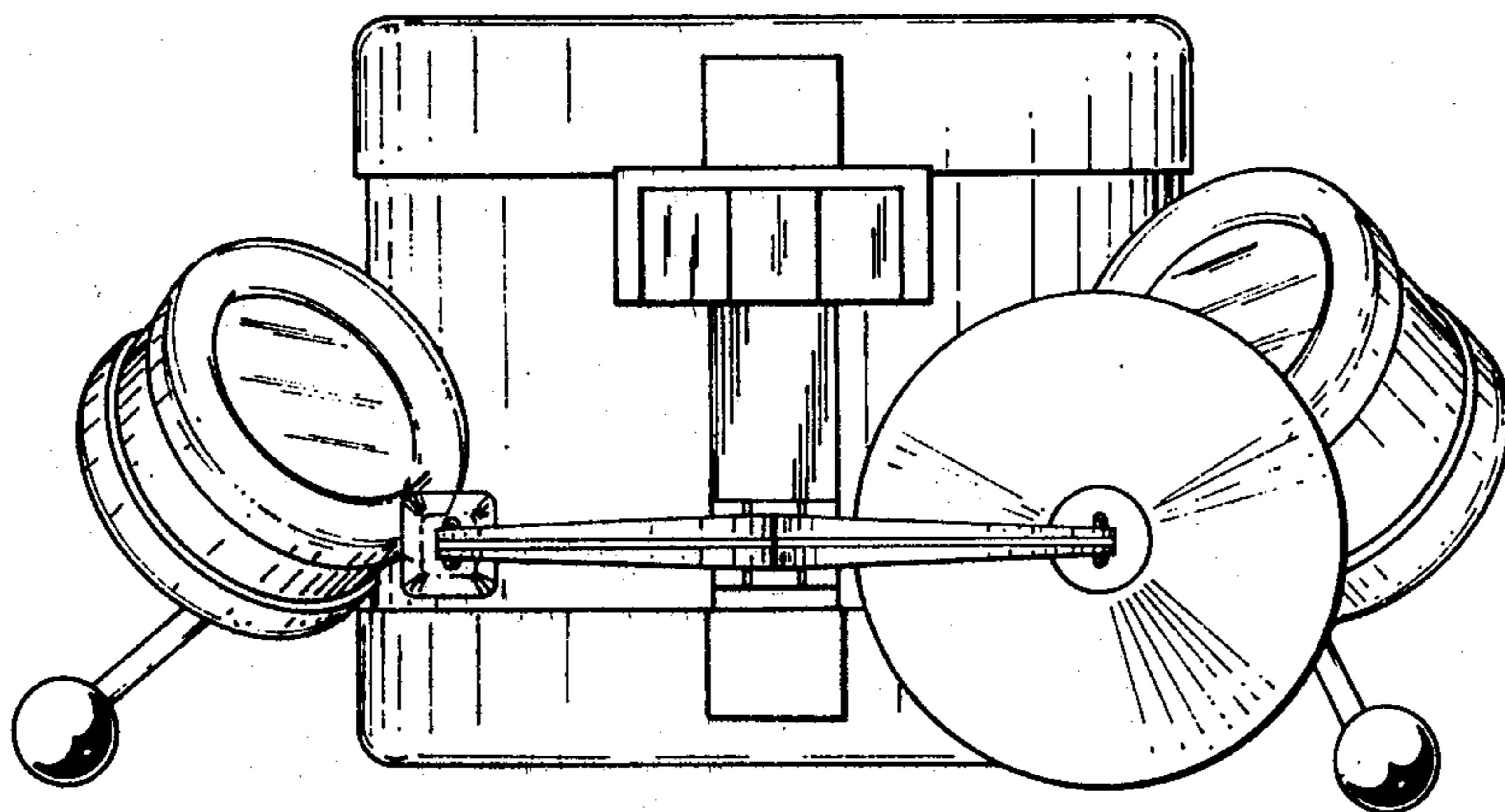


FIG. 6

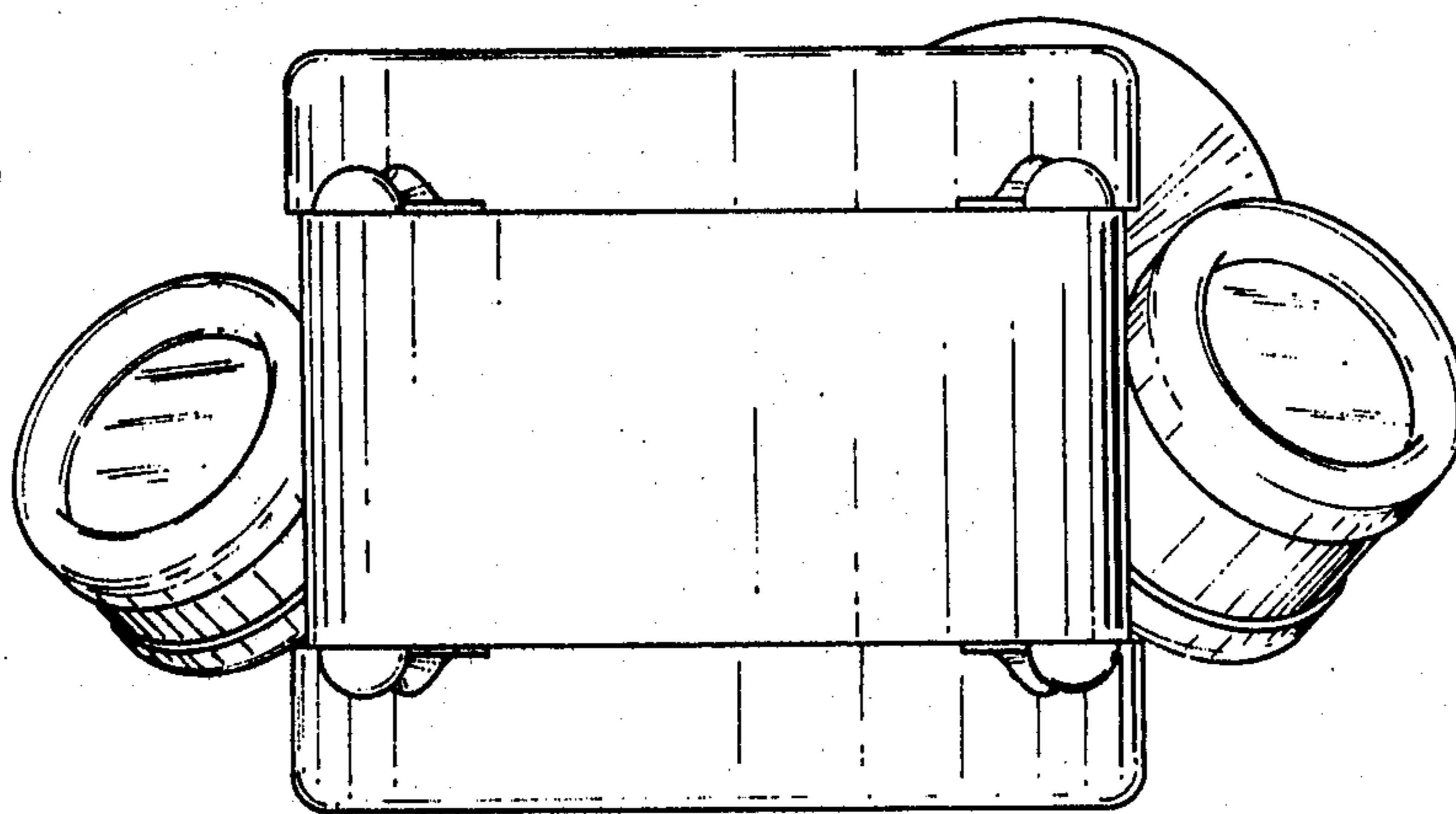


FIG. 7