

United States Patent [19]

Chatani

[11] Patent Number: Des. 276,056

[45] Date of Patent: ** Oct. 23, 1984

[54] **ACTIVITY TOY OR THE LIKE**

[75] Inventor: Yasusi Chatani, Tokorozawa, Japan

[73] Assignee: Kawada Co., Ltd., Tokyo, Japan

[**] Term: 14 Years

[21] Appl. No.: 335,946

[22] Filed: Dec. 30, 1981

[30] **Foreign Application Priority Data**

Sep. 11, 1981 [JP] Japan 56-39956

[52] U.S. Cl. D21/59; D21/63

[58] Field of Search D21/59, 63; D19/59

[56] **References Cited**

U.S. PATENT DOCUMENTS

D. 139,595 12/1944 Nudelman D21/63

D. 217,485 5/1970 Kohner D21/109

D. 236,141 7/1975 Snyder D21/59

Primary Examiner—Melvin B. Feifer

Attorney, Agent, or Firm—Don B. Finkelstein

[57] **CLAIM**

The ornamental design for an activity toy or the like, as shown.

DESCRIPTION

FIG. 1 is a front perspective view of an activity toy or the like showing my new design;

FIG. 2 is a front elevational view thereof;

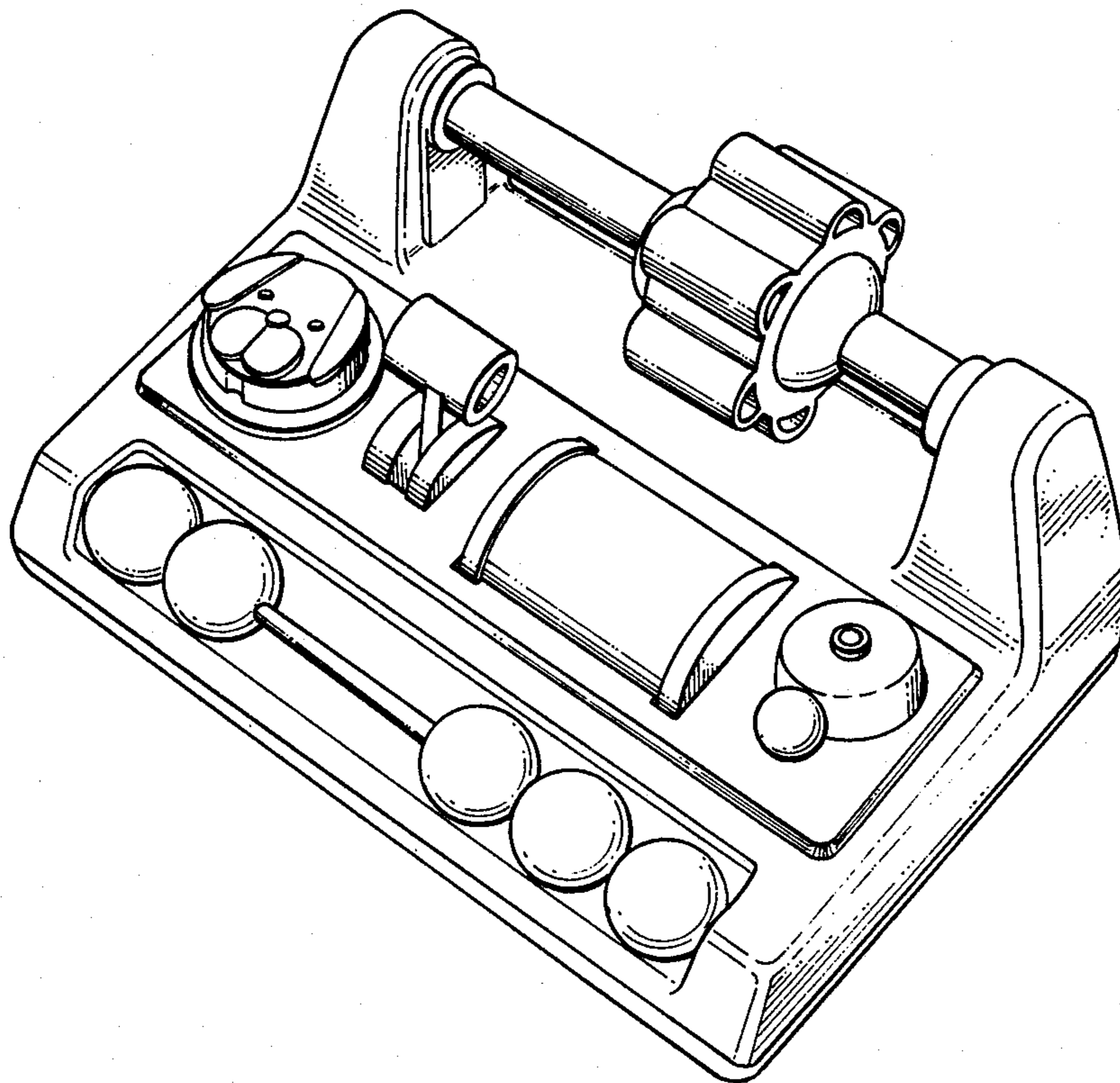
FIG. 3 is a top plan view thereof;

FIG. 4 is a rear elevational view thereof;

FIG. 5 is a left side elevational view thereof;

FIG. 6 is a right side elevational view thereof; and

FIG. 7 is a bottom plan view thereof.



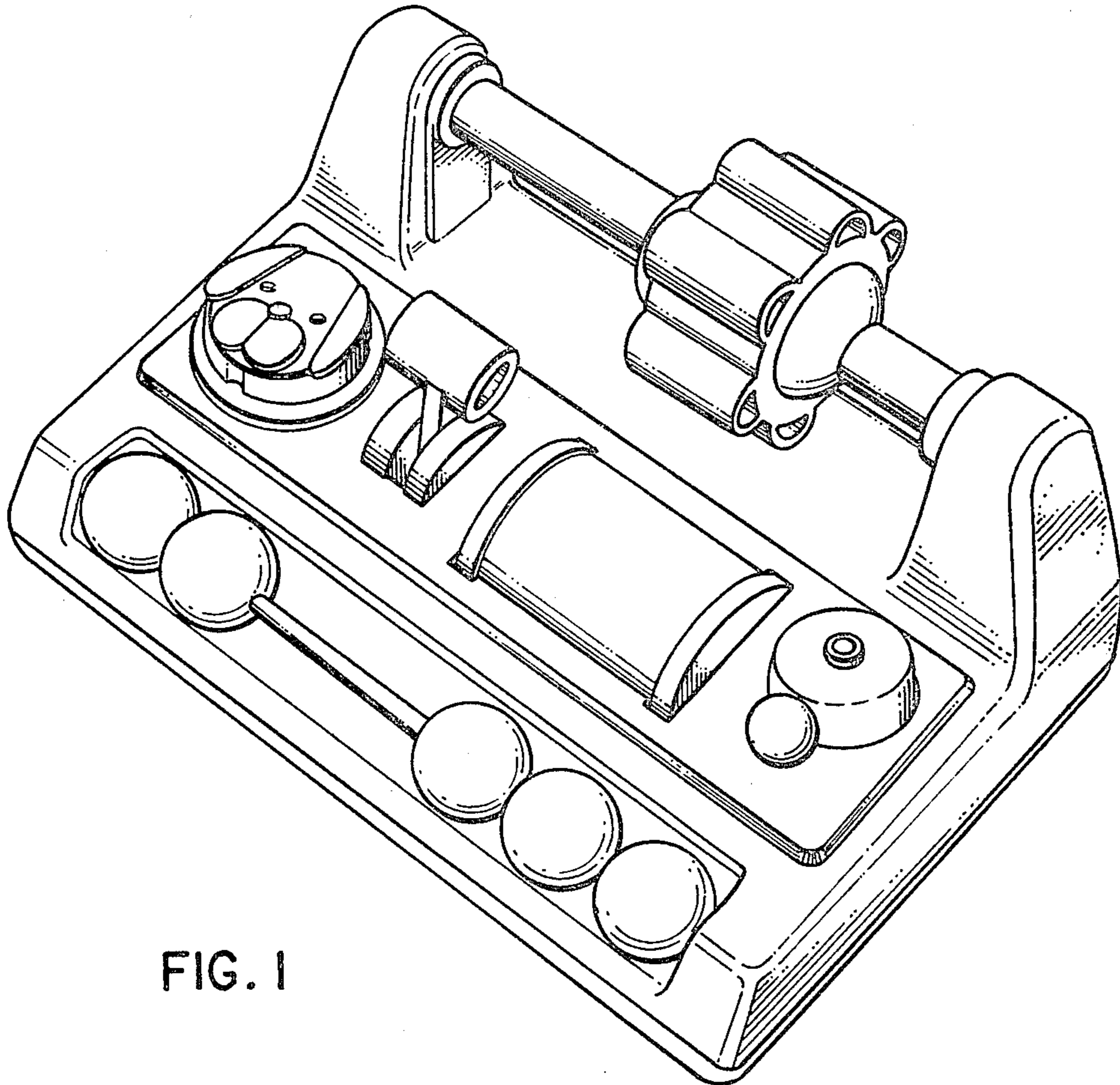


FIG. 1

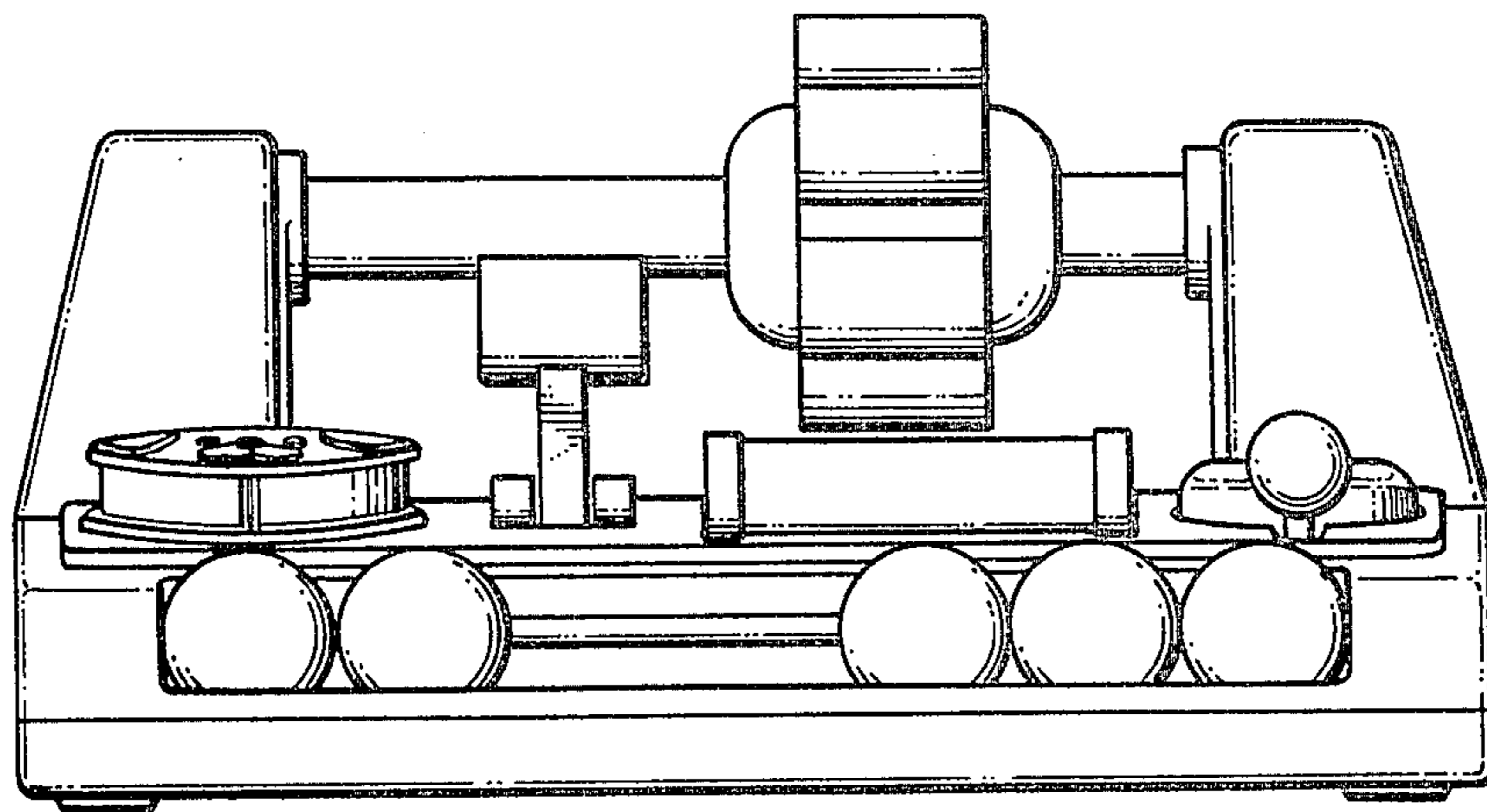


FIG. 2

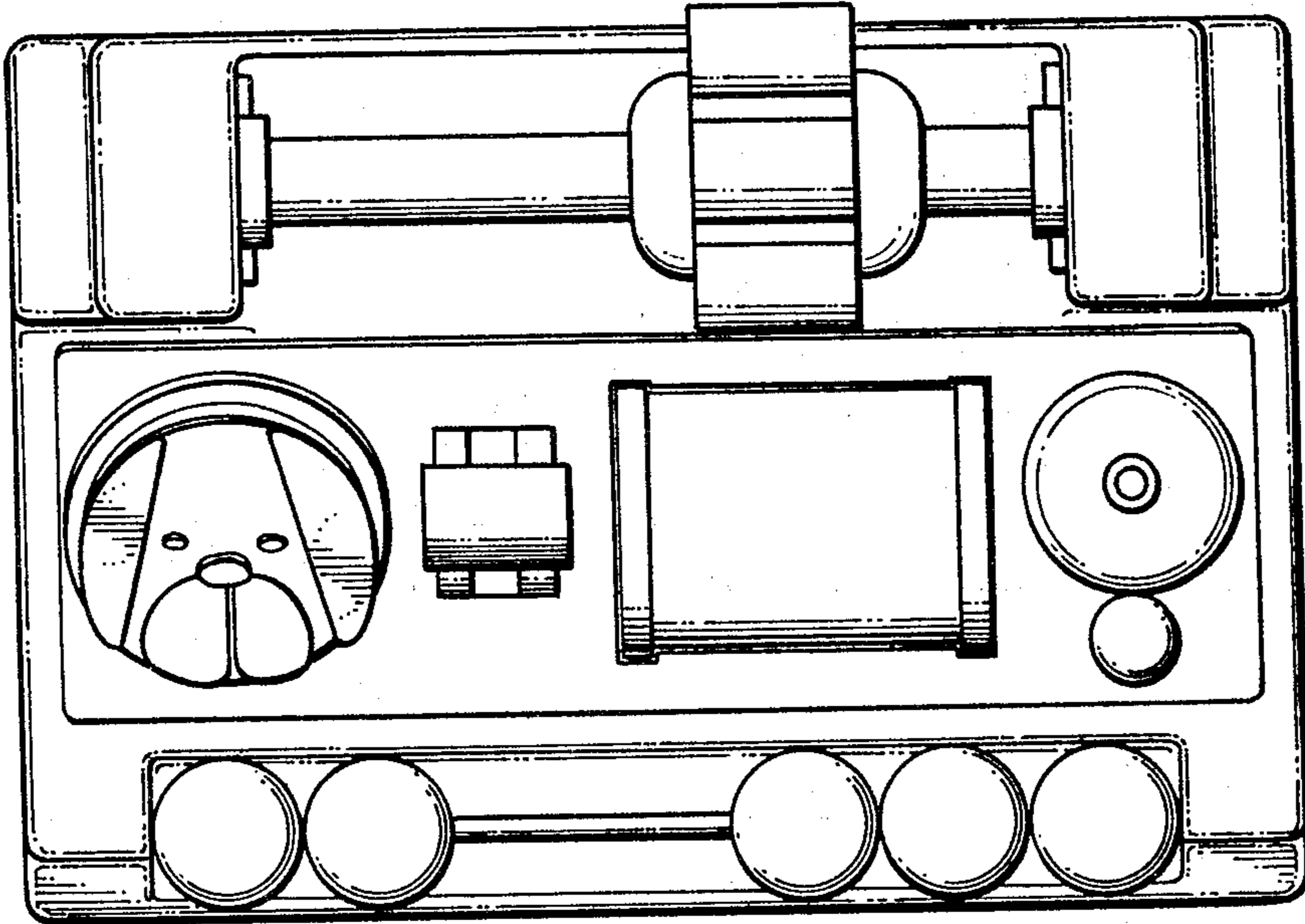


FIG. 3

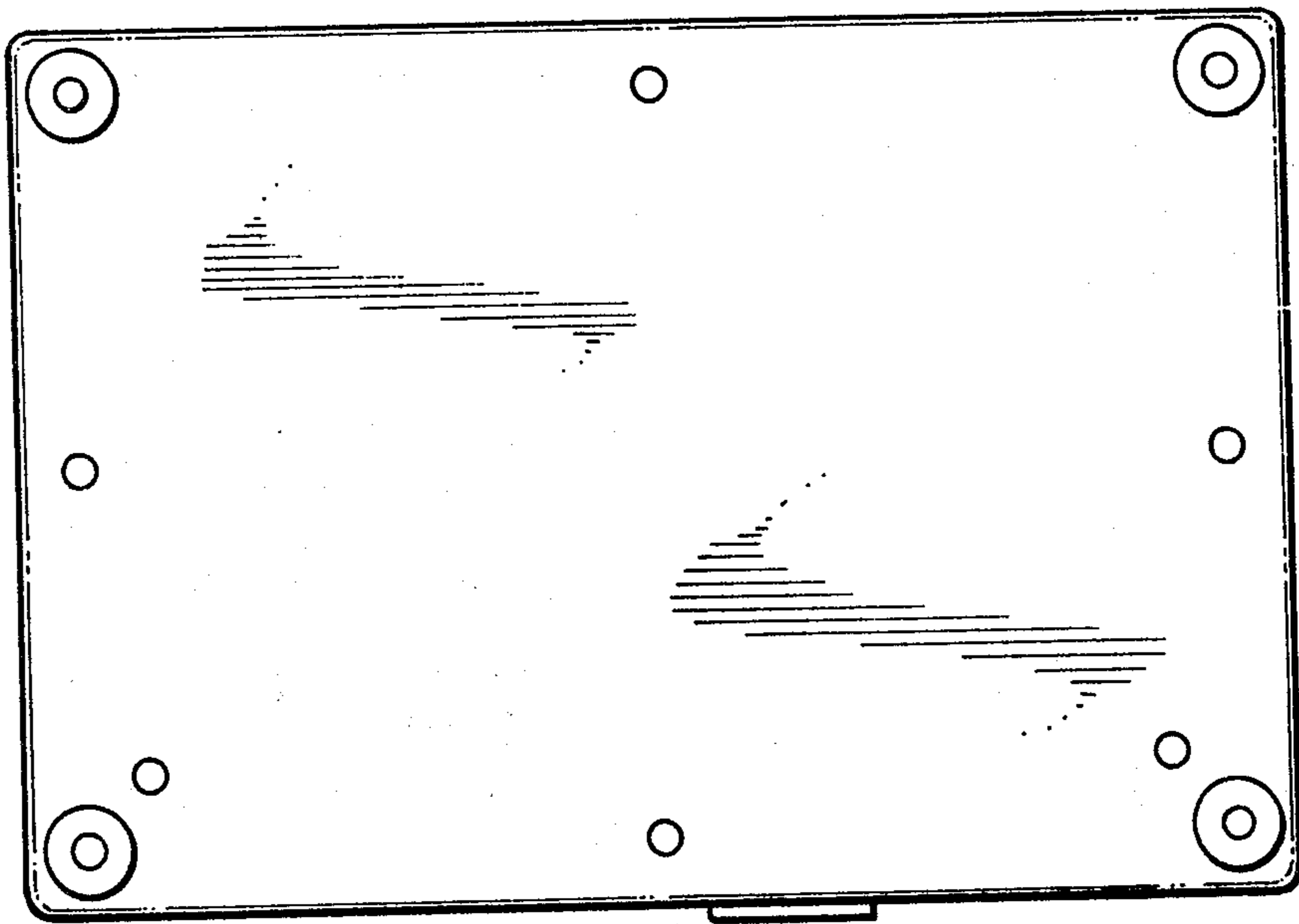


FIG. 7

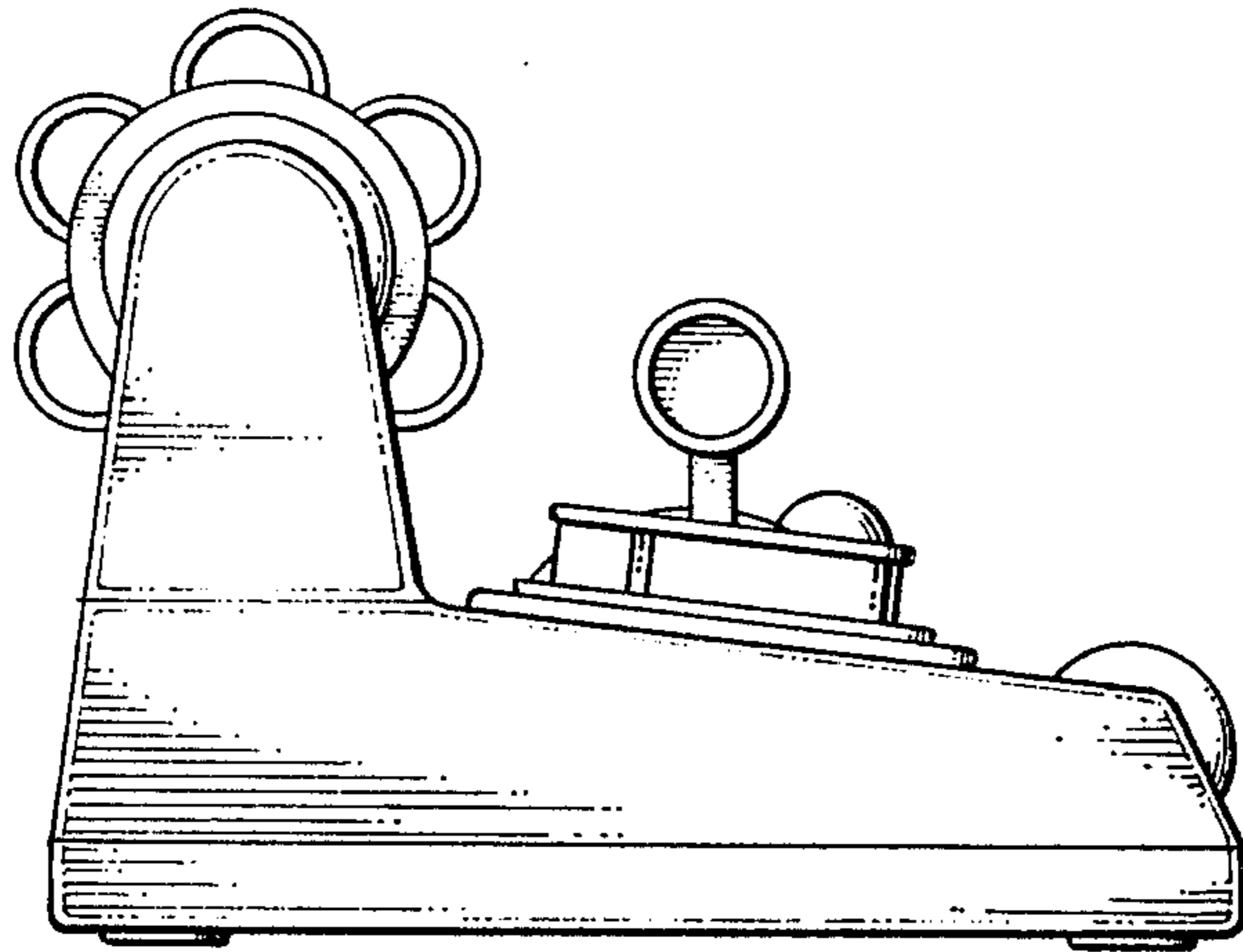


FIG. 5

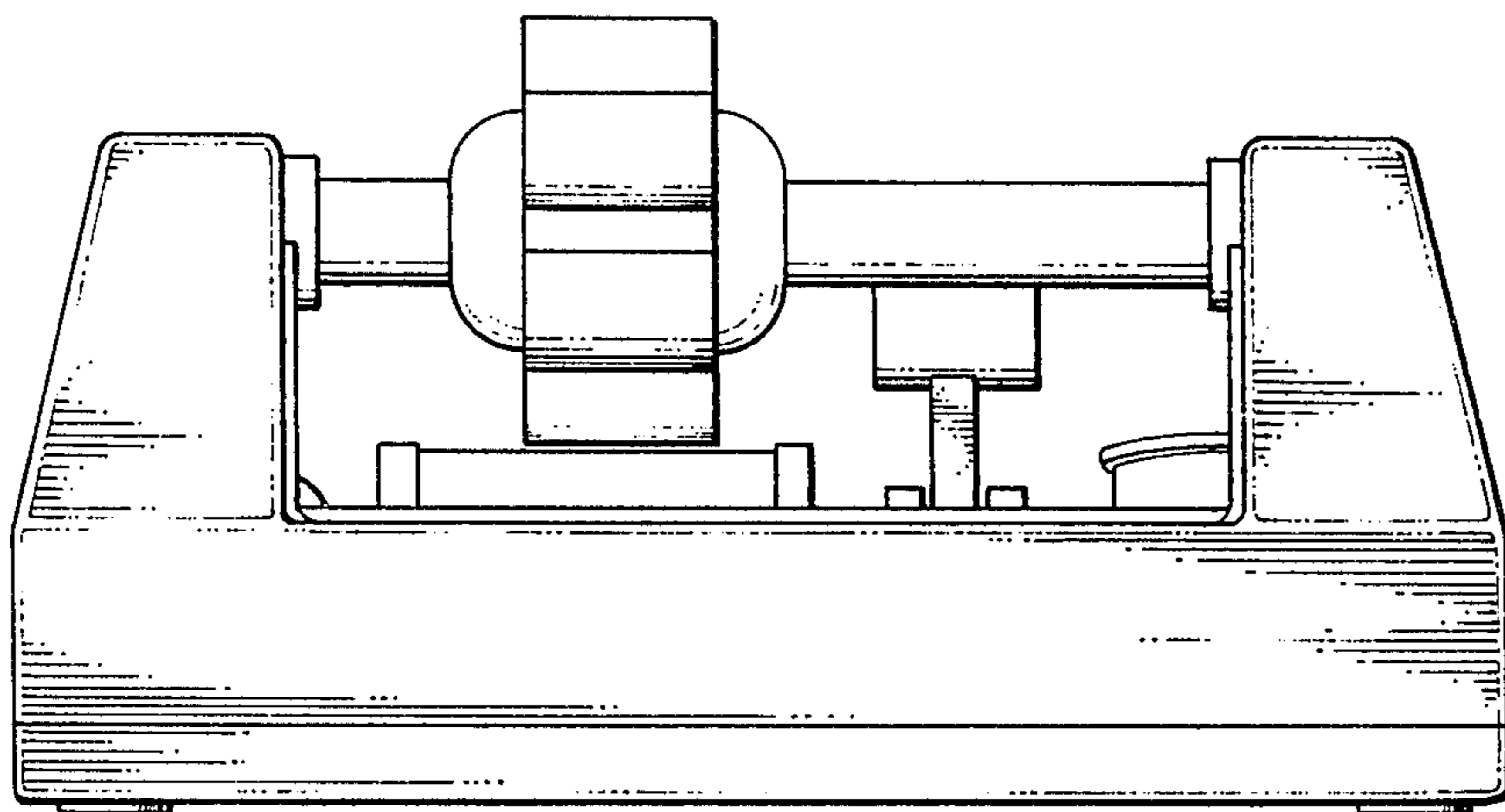


FIG. 4

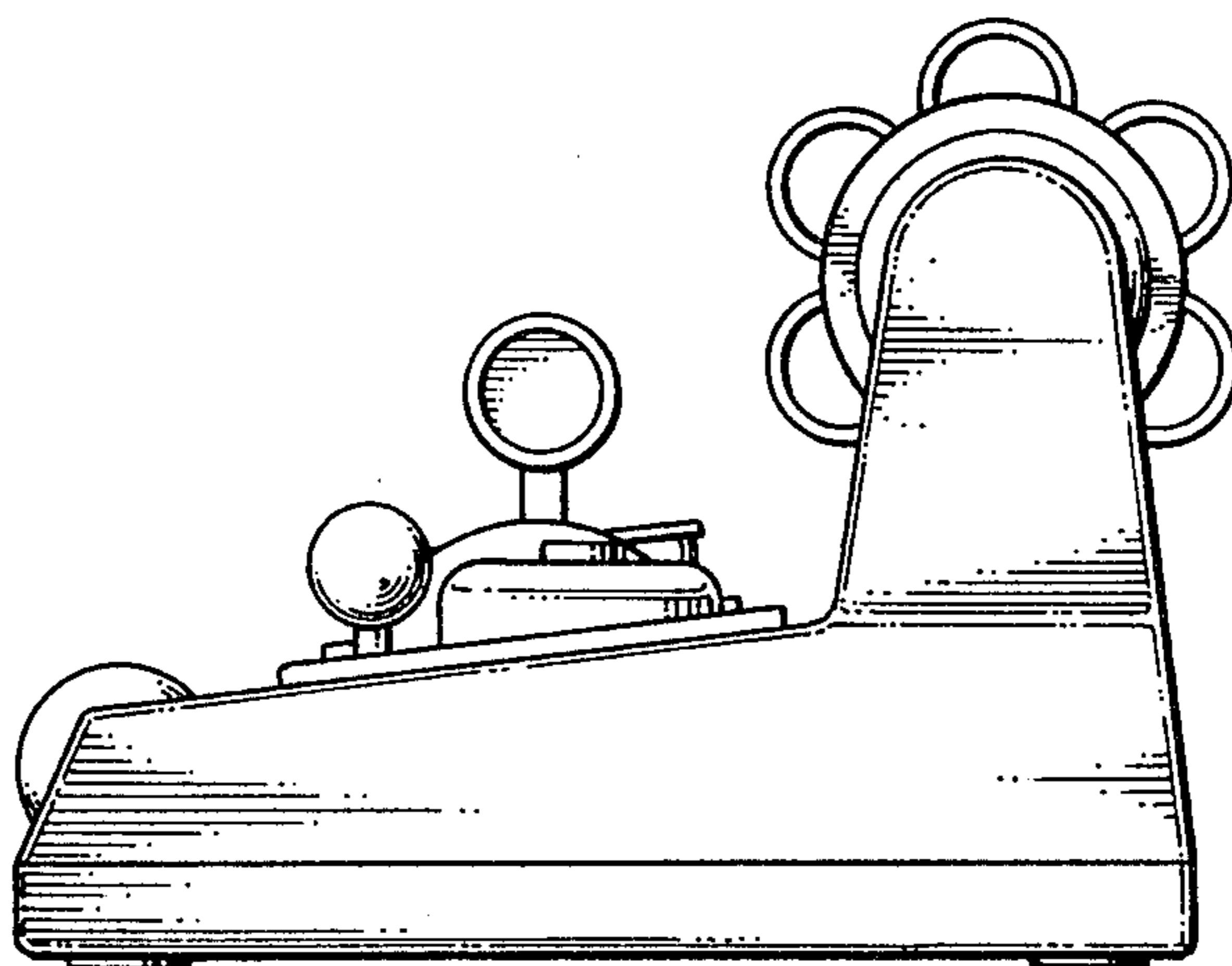


FIG. 6