

United States Patent [19]

Kosako et al.

[11] Patent Number: Des. 276,051

[45] Date of Patent: ** Oct. 23, 1984

[54] ELECTRONIC COPYING MACHINE

D. 270,164 8/1983 Sawada D16/31

[75] Inventors: Mikio Kosako; Shigeaki Hayashi,
both of Osaka, Japan

[73] Assignee: Sharp Corporation, Osaka, Japan

[**] Term: 14 Years

[21] Appl. No.: 386,965

[22] Filed: Jun. 10, 1982

[52] U.S. Cl. D16/31

[58] Field of Search D16/27, 29, 30, 31;
355/35, 8, 9, 11, 14, 50, 51

[56] References Cited

U.S. PATENT DOCUMENTS

D. 251,912	5/1979	Nakade	D16/31
D. 264,345	5/1982	Masaki	D16/31
D. 264,726	6/1982	Hara	D16/31
D. 266,169	9/1982	Yasutani	D16/31
D. 266,253	9/1982	Horikoshi	D16/31
D. 266,254	9/1982	Horikoshi	D16/31
D. 267,548	2/1983	Kojima	D16/31 X

OTHER PUBLICATIONS

Toshiba Brochure #H12-005-E 1980, Copier BD-7501 on front cover.

The Office, 5/83, p. 143, Copiers at top.

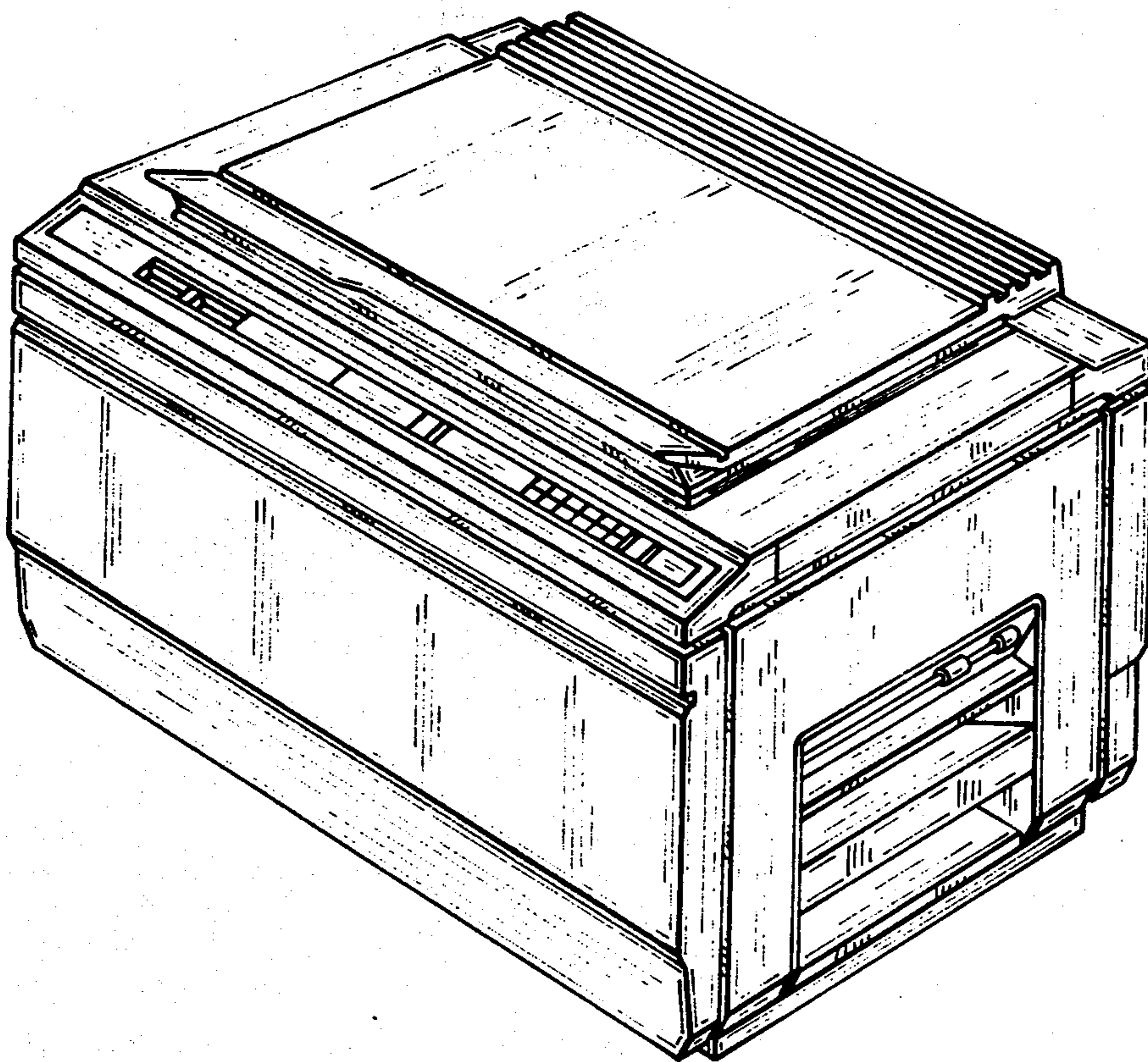
Primary Examiner—Nelson C. Holtje
Attorney, Agent, or Firm—Flehr, Hohbach, Test, Albritton & Herbert

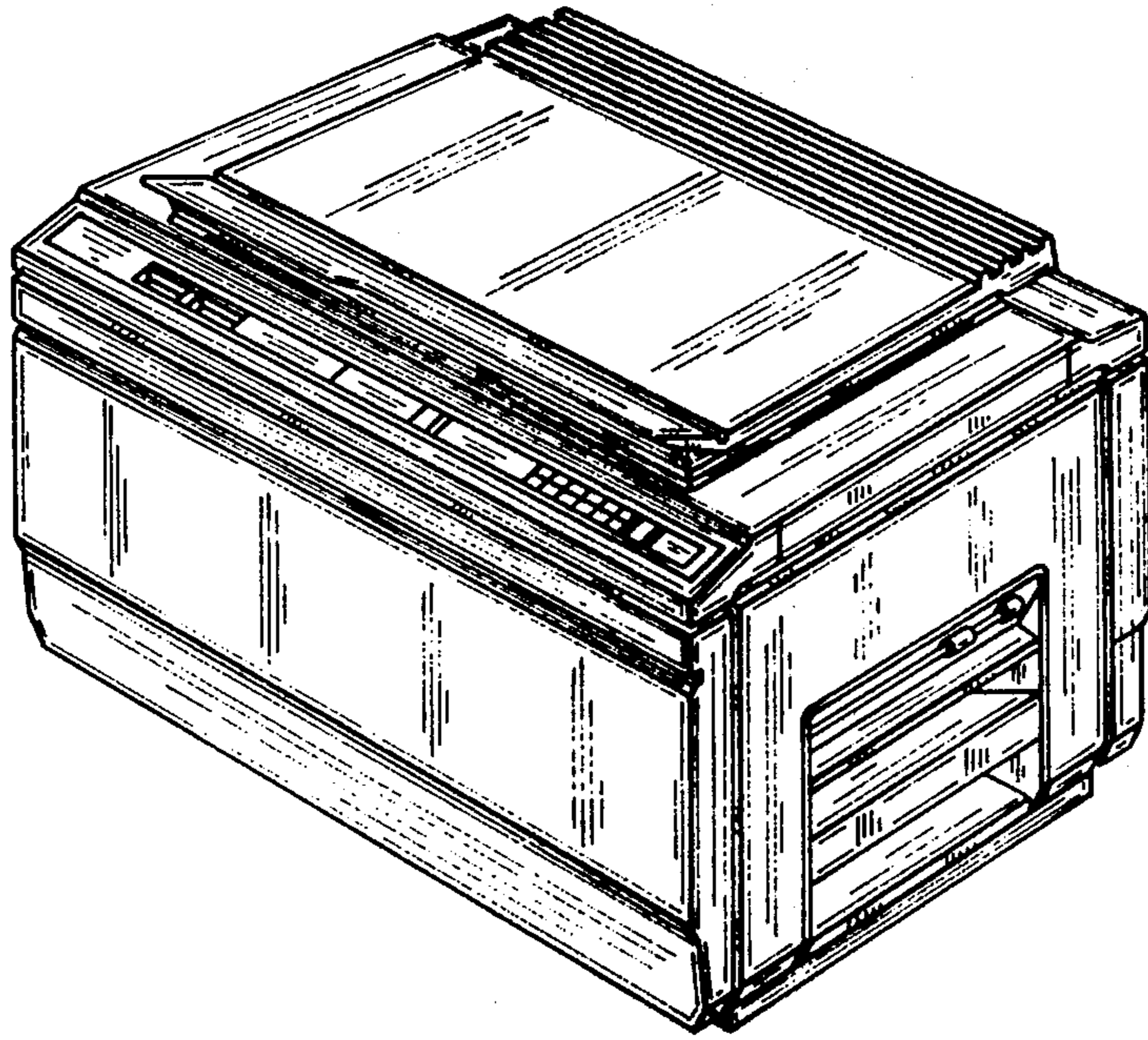
[57] CLAIM

The ornamental design for an electronic copying machine, as shown and described.

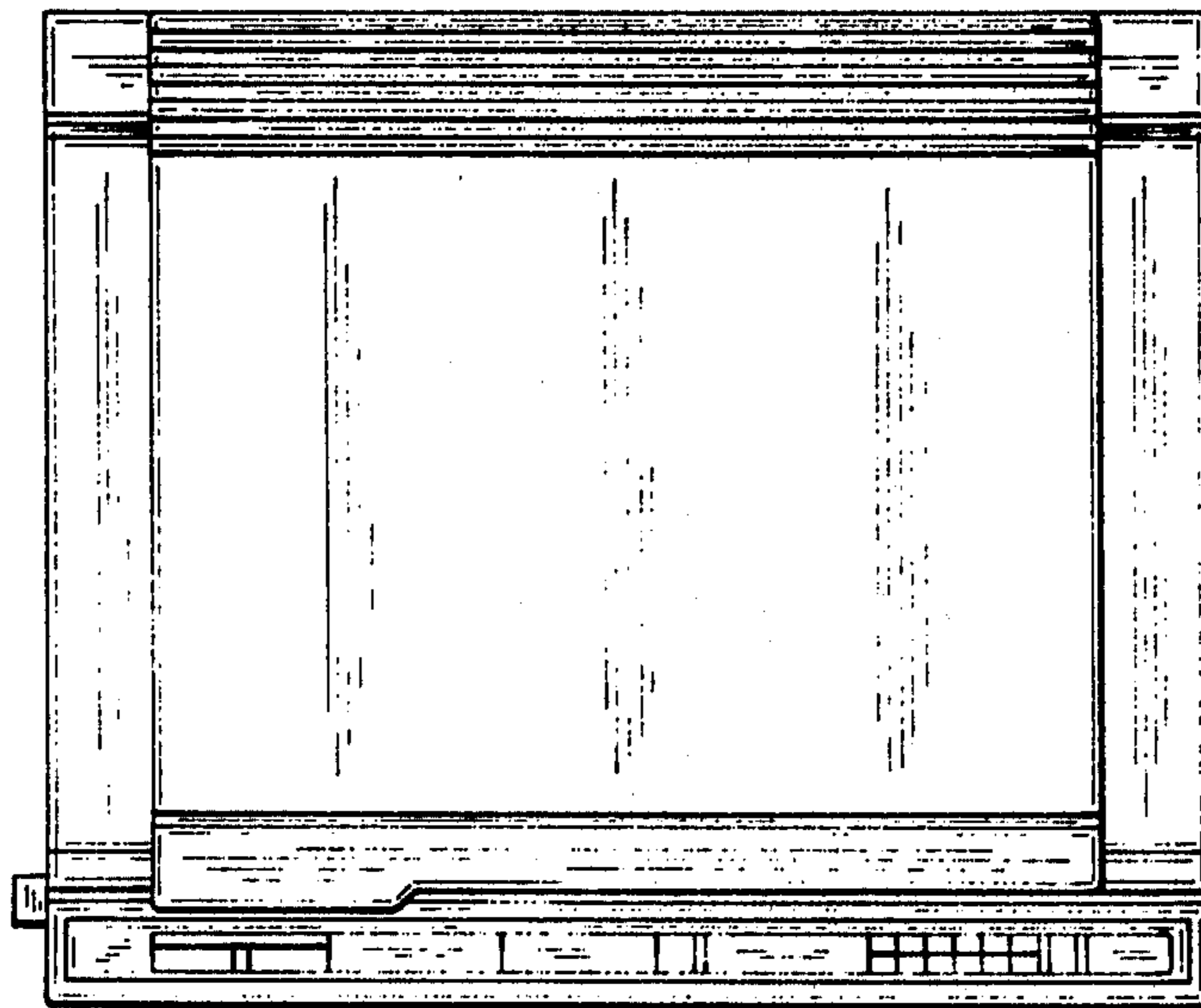
DESCRIPTION

FIG. 1 is a top and right front perspective view of an electronic copying machine showing our new design; FIG. 2 is a top plan view thereof; FIG. 3 is a bottom plan view thereof; FIG. 4 is a front elevational view thereof; FIG. 5 is a rear elevational view thereof; FIG. 6 is a right side elevational view thereof; FIG. 7 is a left side elevational view thereof.

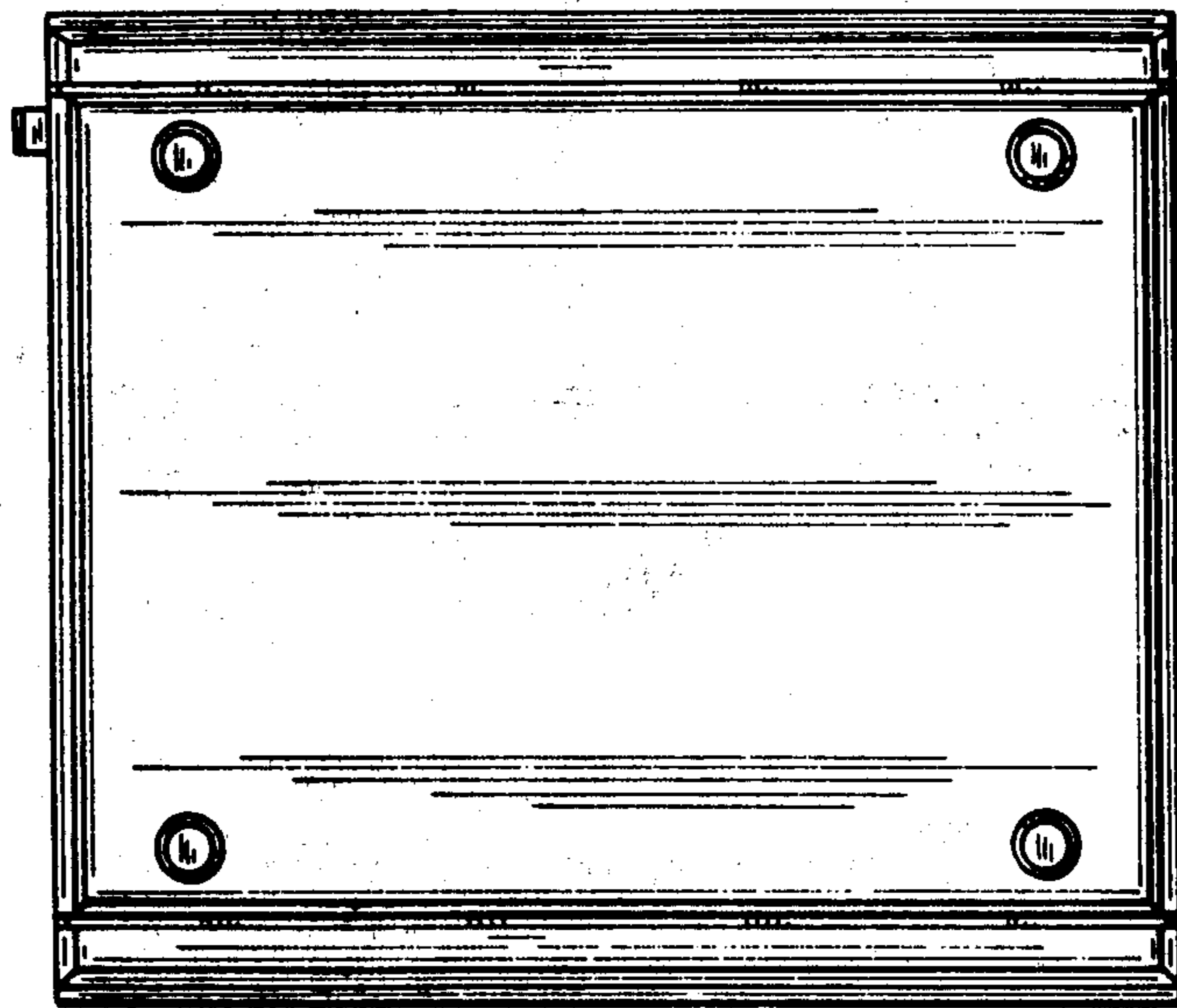




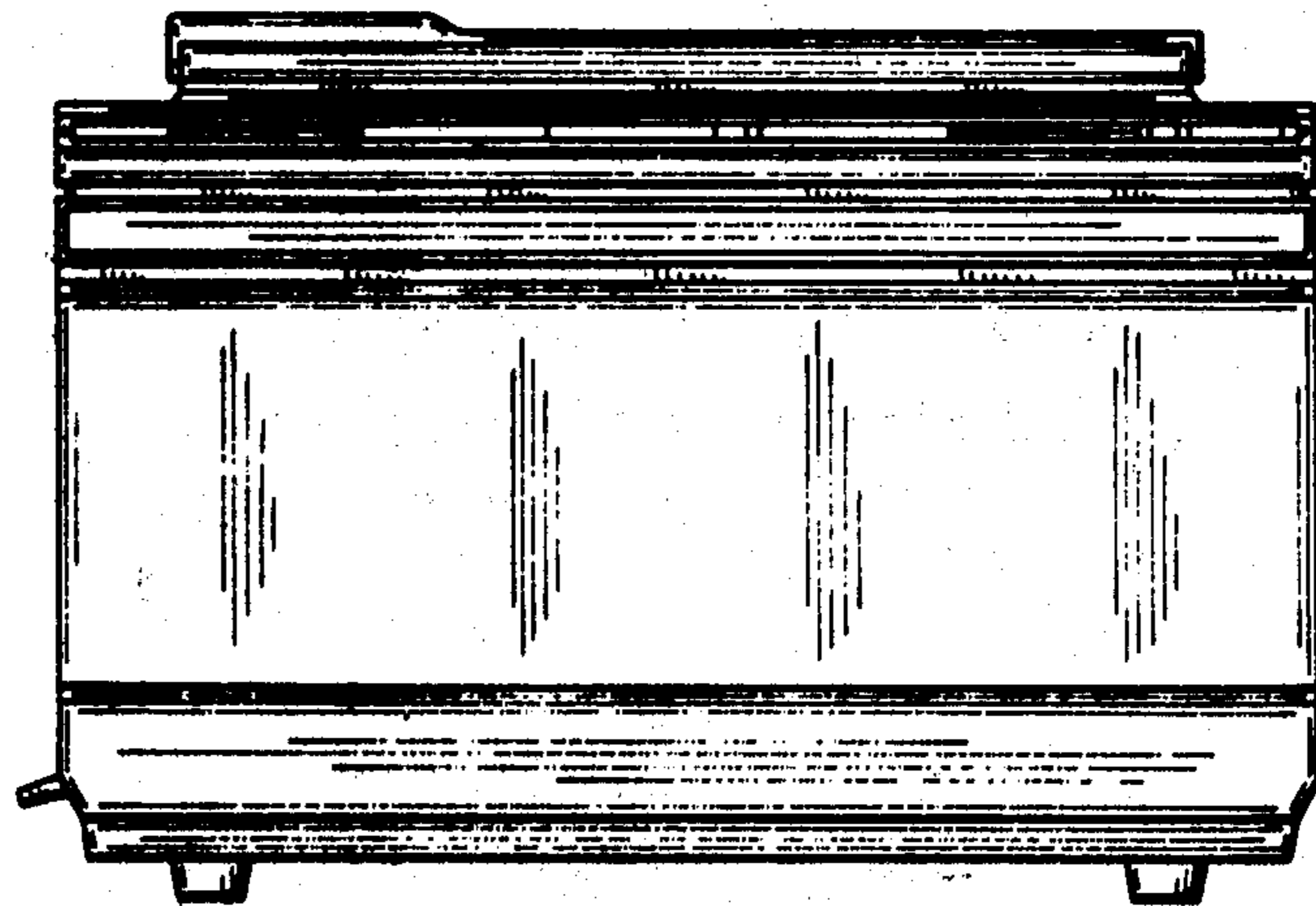
FIG_1



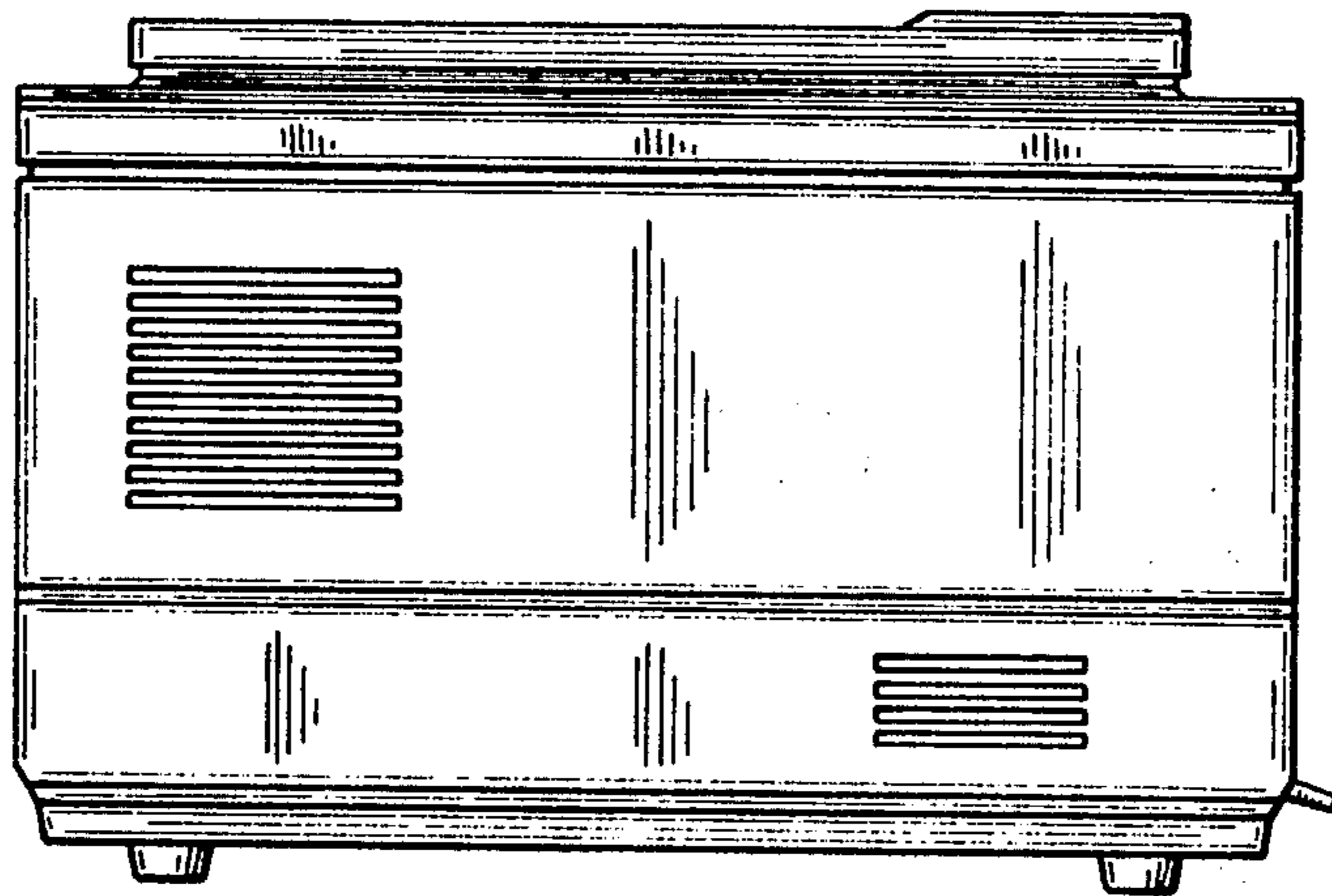
FIG_2



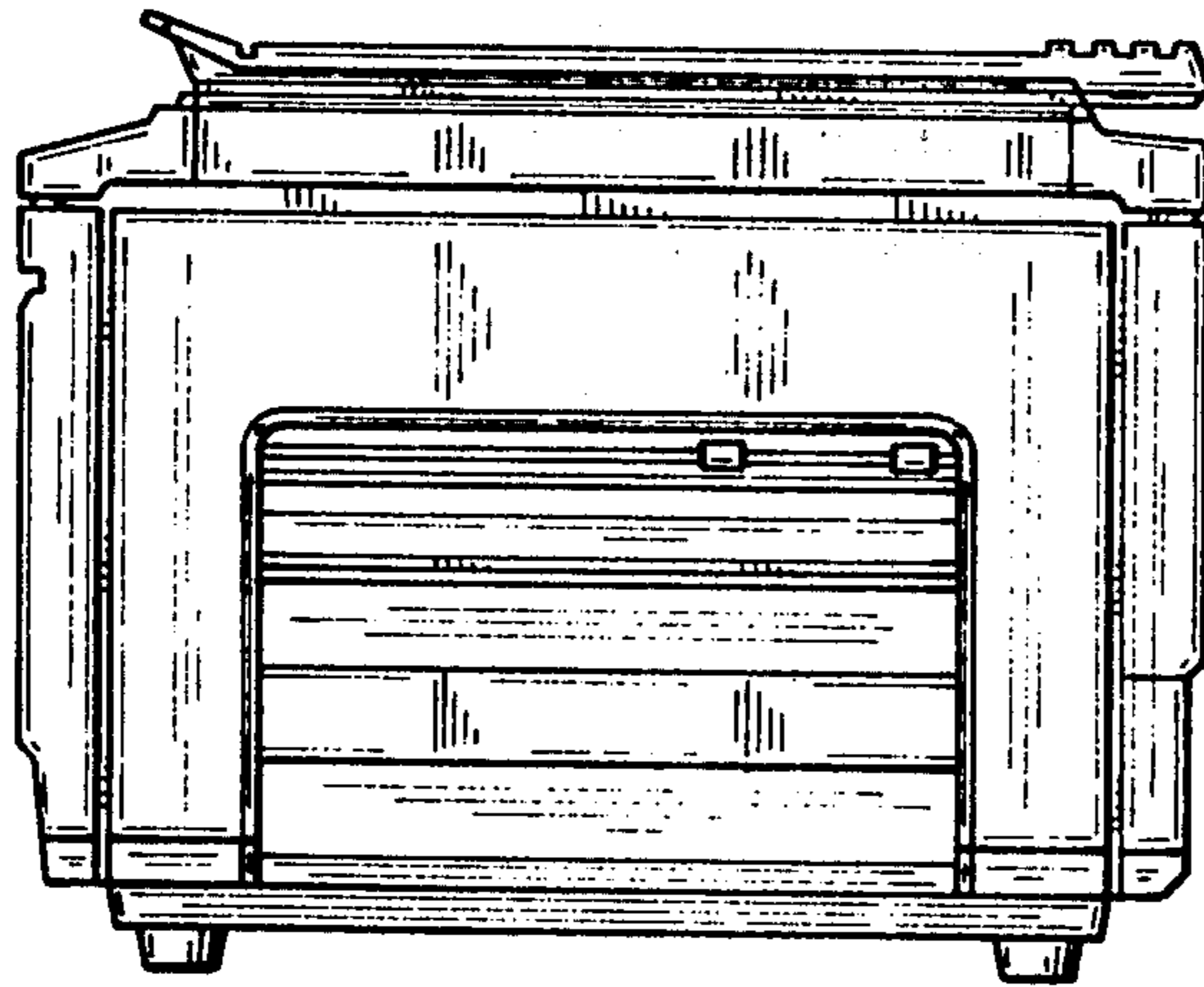
FIG_3



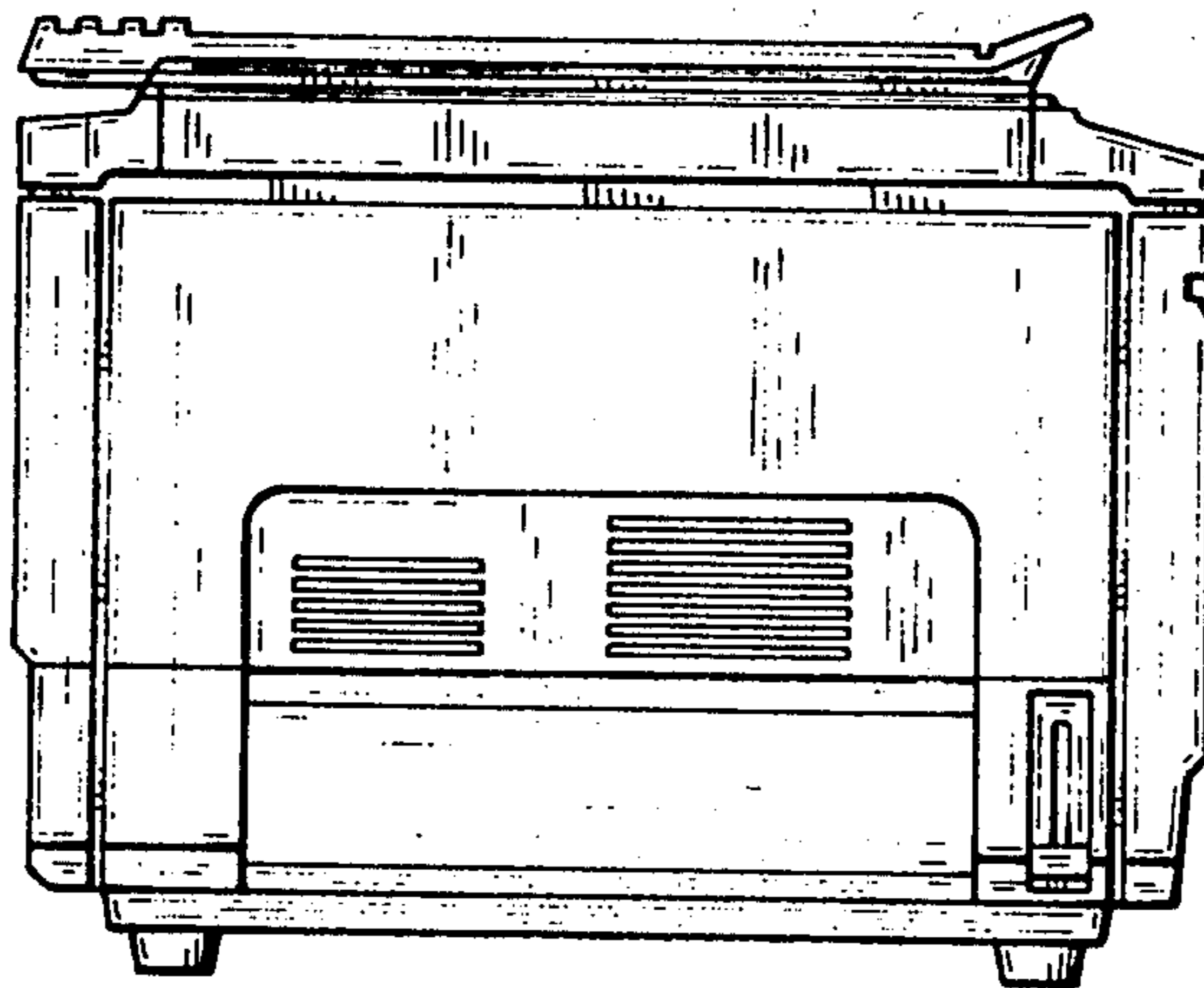
FIG_4



FIG_5



FIG_6



FIG_7