

[54] CAMERA

[75] Inventor: Koichi Soda, Tokyo, Japan

[73] Assignee: Ricoh Company, Ltd., Japan

[**] Term: 14 Years

[21] Appl. No.: 401,732

[22] Filed: Jul. 26, 1982

[30] Foreign Application Priority Data

Jan. 29, 1982 [JP] Japan 57-3382
[52] U.S. Cl. D16/1
[58] Field of Search D16/1, 2, 6, 8, 9, 10;
354/149.11, 162-169, 288

[56] References Cited

U.S. PATENT DOCUMENTS

D. 185,995 8/1959 Crapsey D16/9
D. 191,331 9/1961 Hennig D16/1
D. 206,465 12/1966 Lange D16/6
D. 247,041 1/1978 Fukuda D16/6
D. 270,840 10/1983 Soda D16/8 X
D. 271,207 11/1983 Soda D16/1

OTHER PUBLICATIONS

Yashica MF-2 Flyer, 7/79 front cover, Camera.
Chinon Flyer, 7/79, p. 3, 35F-A and 35F-MA Cameras at left.
Minolta Contact Sheet, #19, F/W 1979, Hi-Matic AF Camera at upper-left of p. 1.

Primary Examiner—Nelson C. Holtje
Attorney, Agent, or Firm—Guy W. Shoup

[57] CLAIM

The ornamental design for a camera, as shown and described.

DESCRIPTION

FIG. 1 is a front, top and left side perspective view of a camera showing my new design;
FIG. 2 is a front elevational view thereof;
FIG. 3 is a top plan view thereof;
FIG. 4 is a right side elevational view thereof;
FIG. 5 is a left side elevational view thereof;
FIG. 6 is a rear elevational view thereof;
FIG. 7 is a bottom plan view thereof; and
FIG. 8 is a top and left-front perspective view thereof with the flash unit in a raised position.

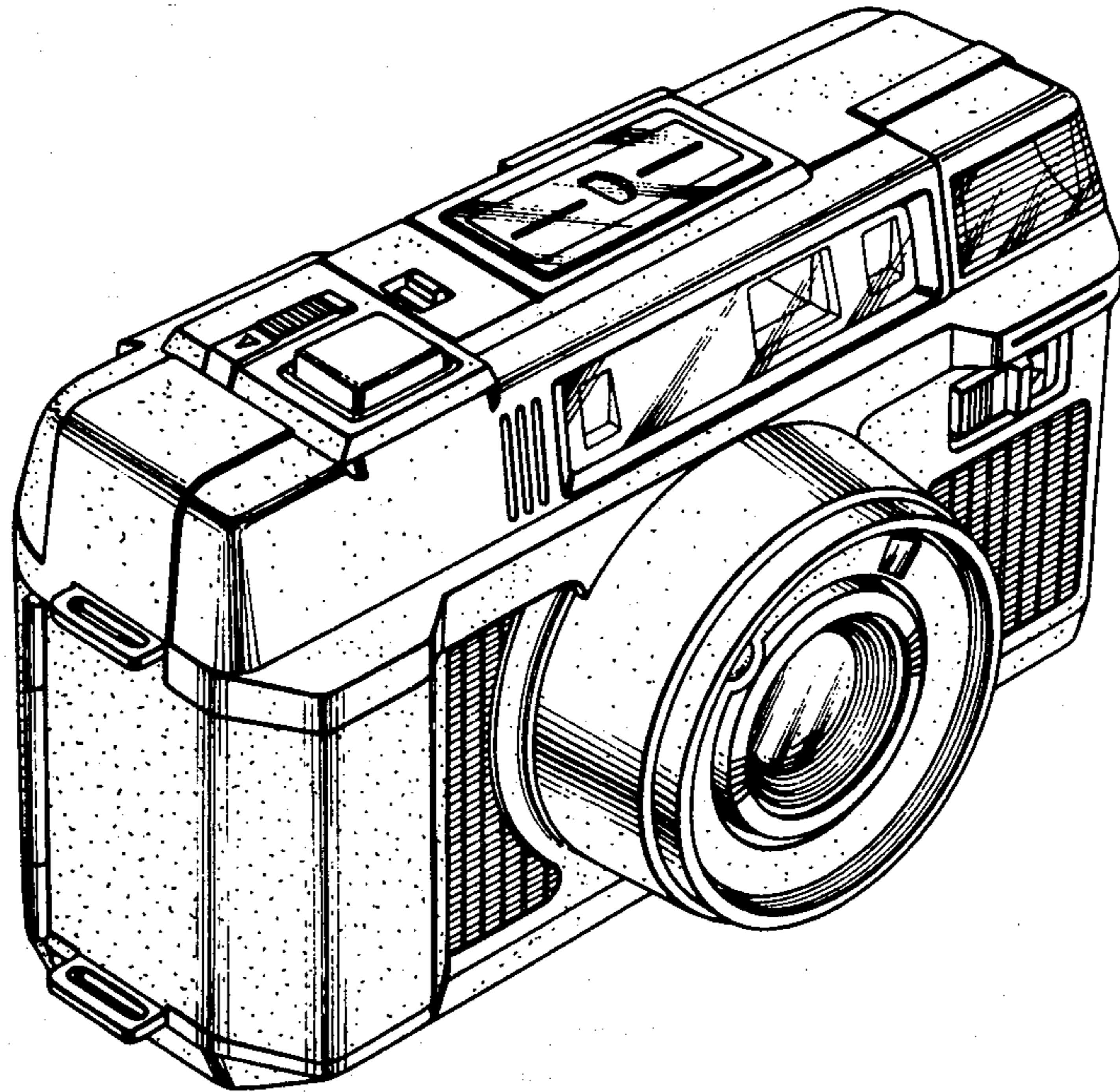


FIG. 1

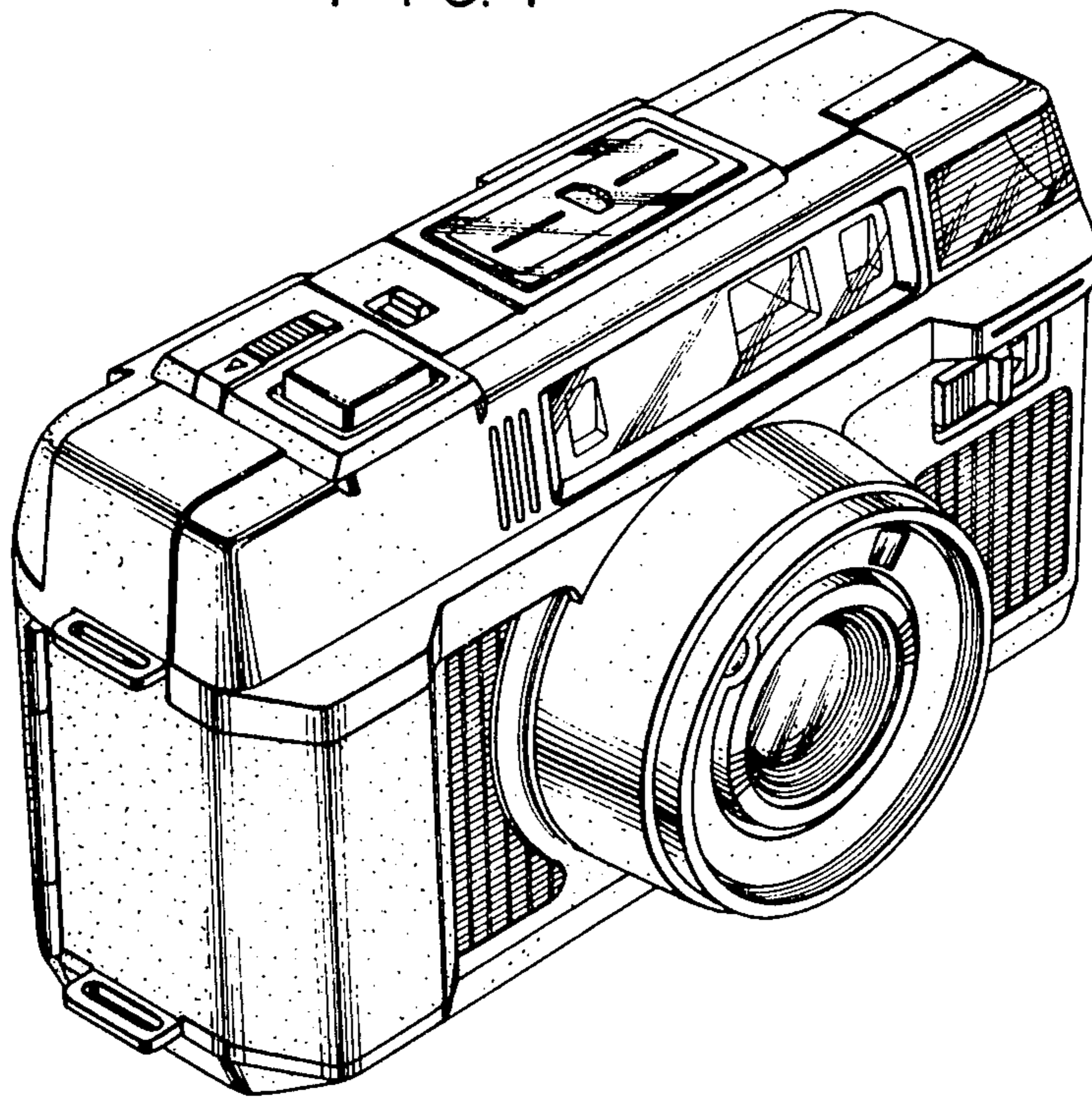


FIG. 2

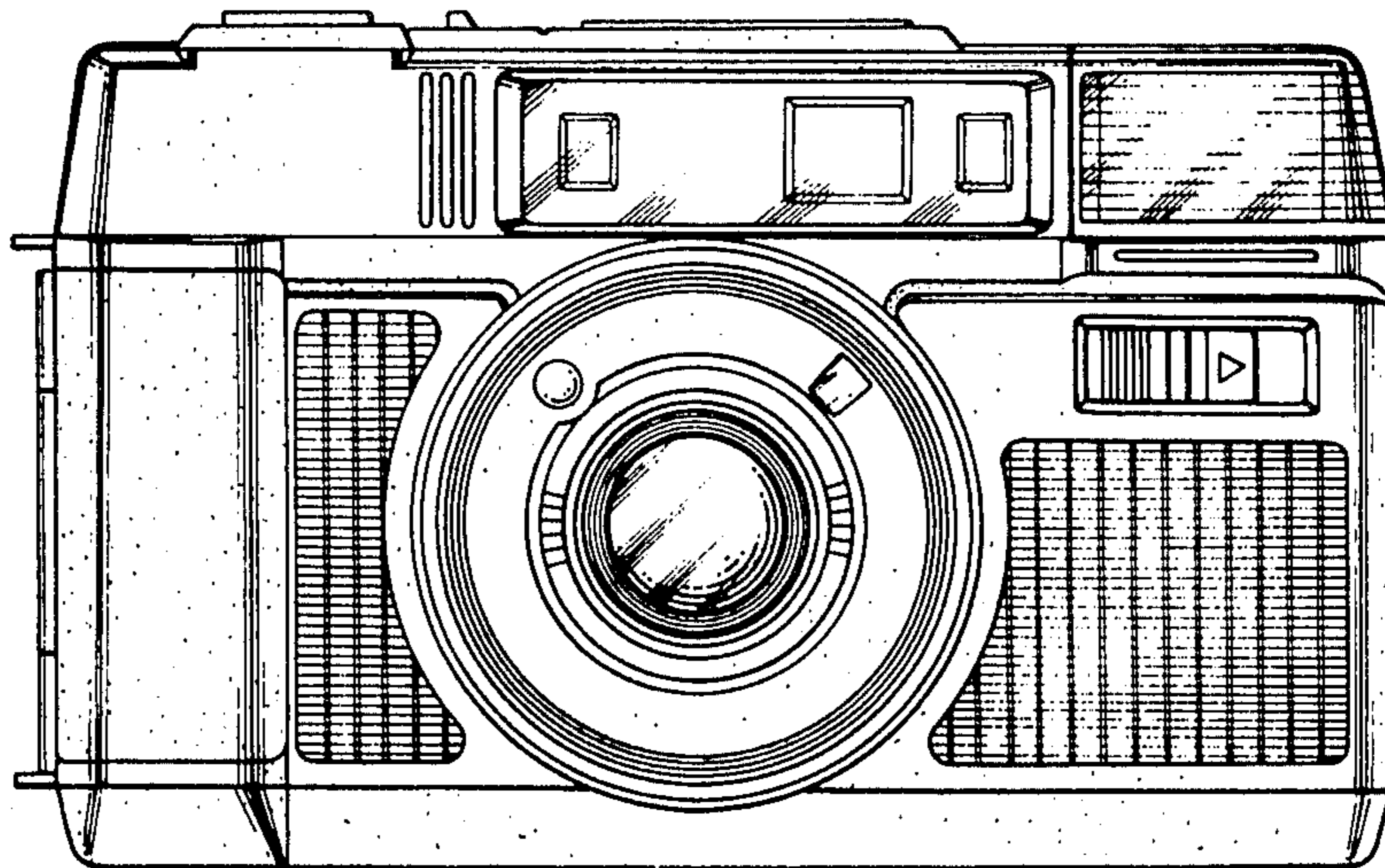


FIG. 3

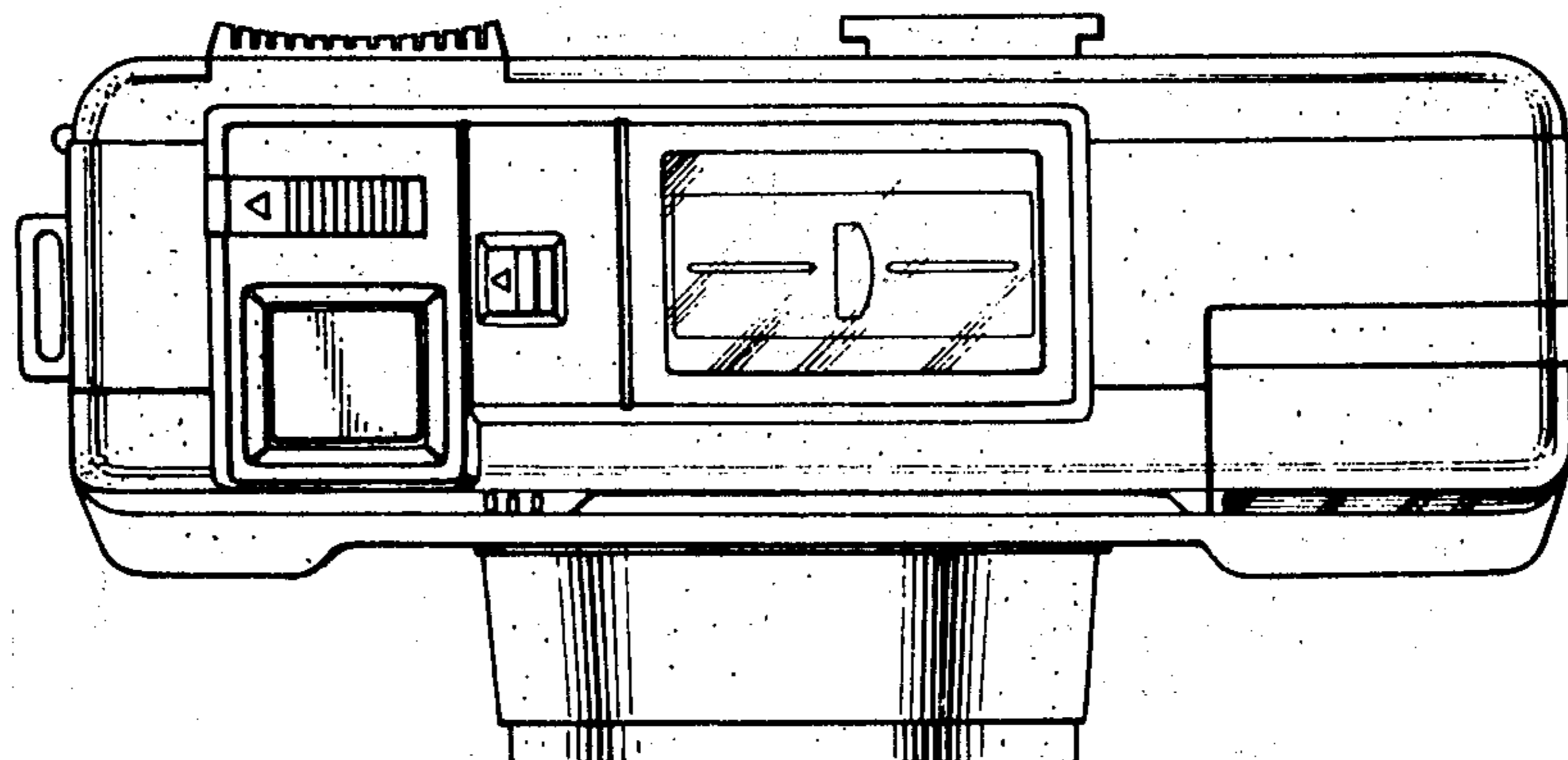


FIG. 4

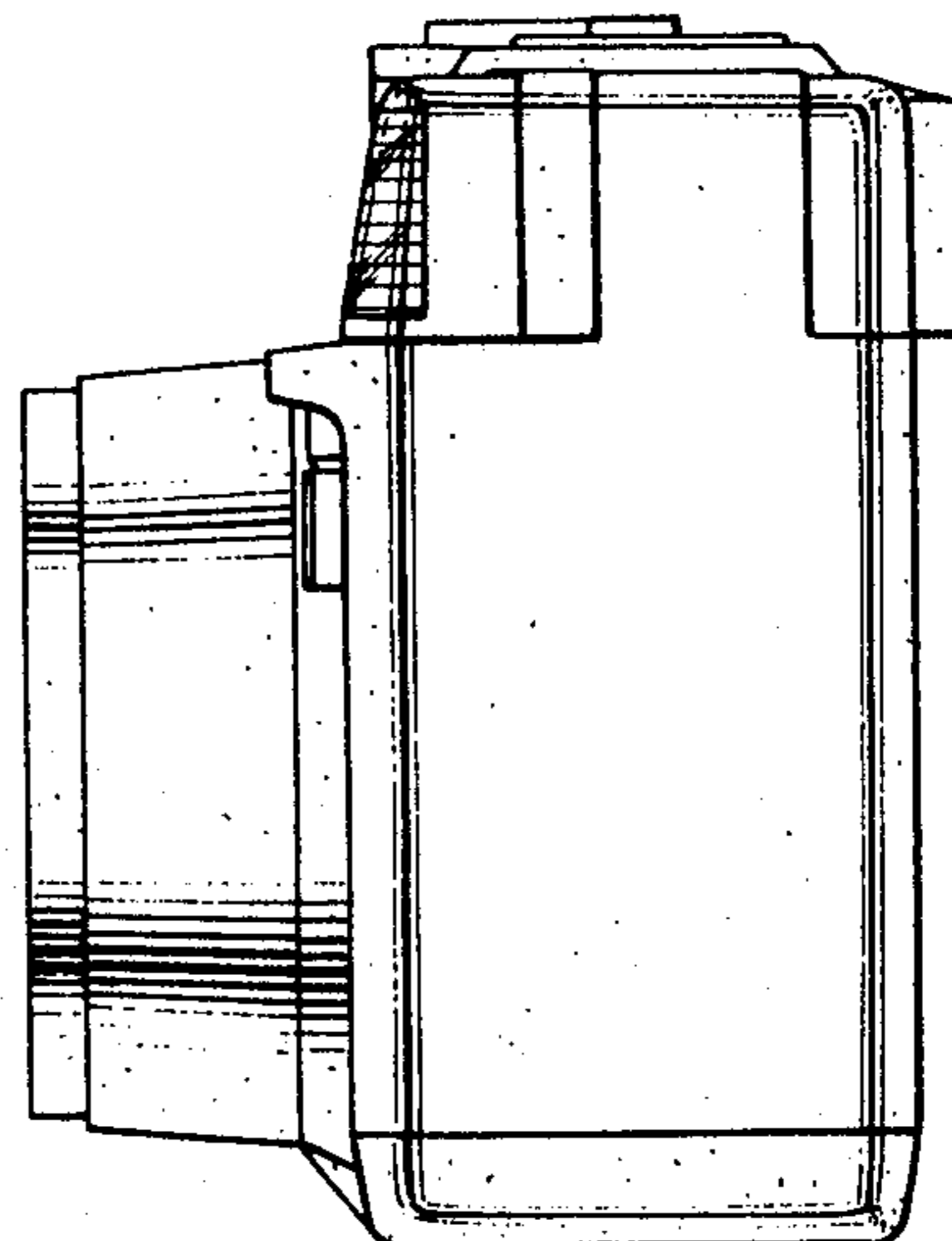


FIG. 5

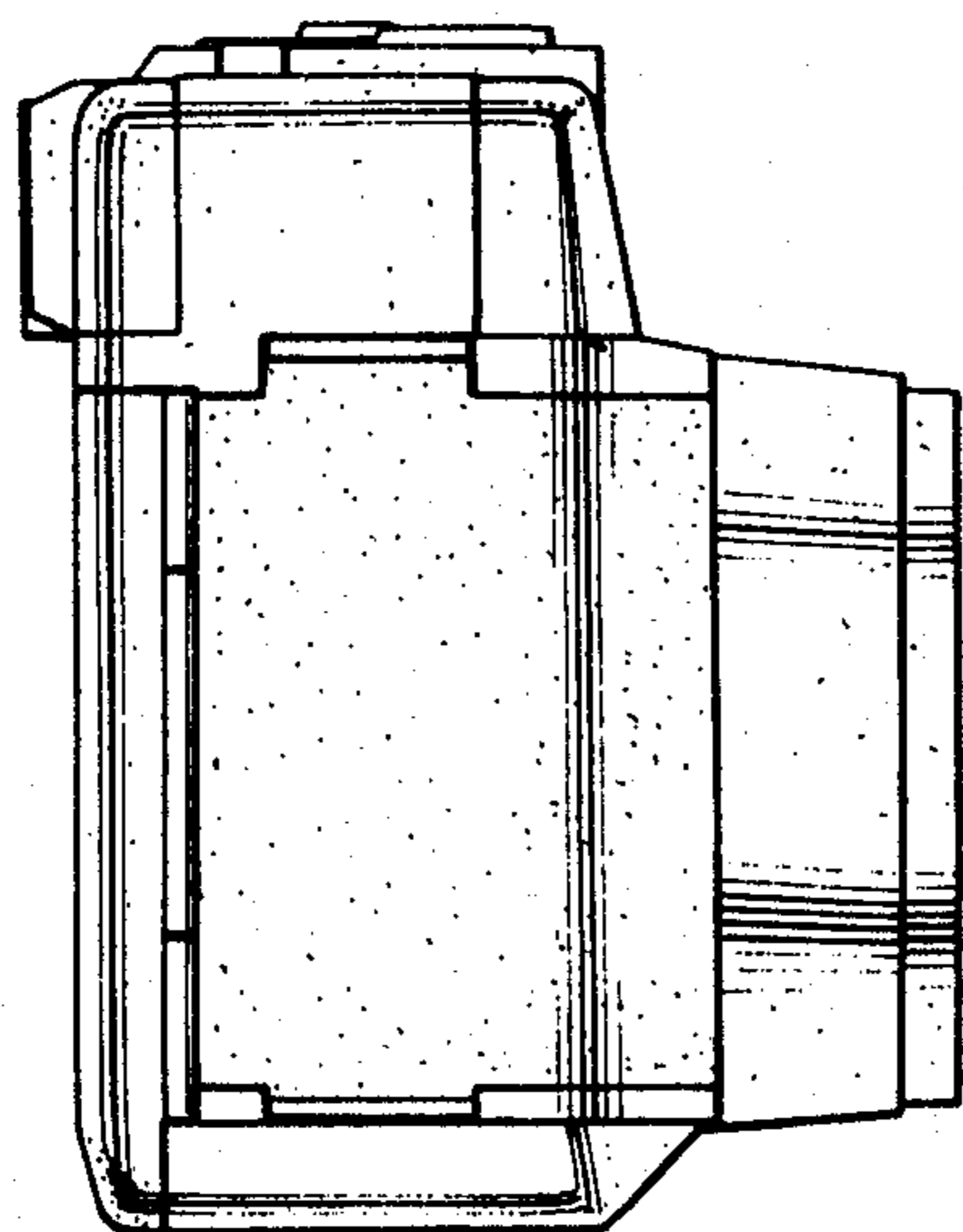


FIG. 6

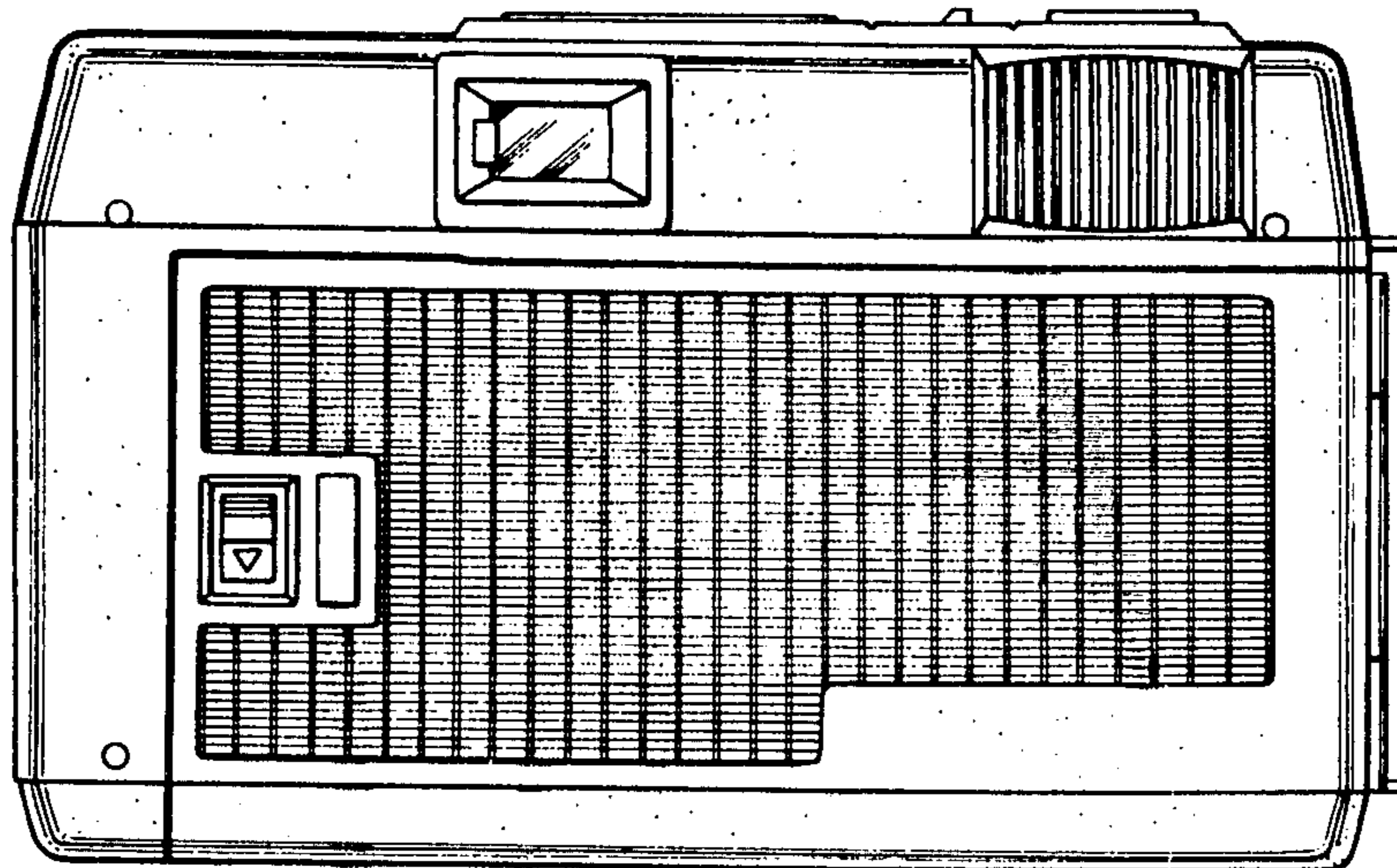


FIG. 7

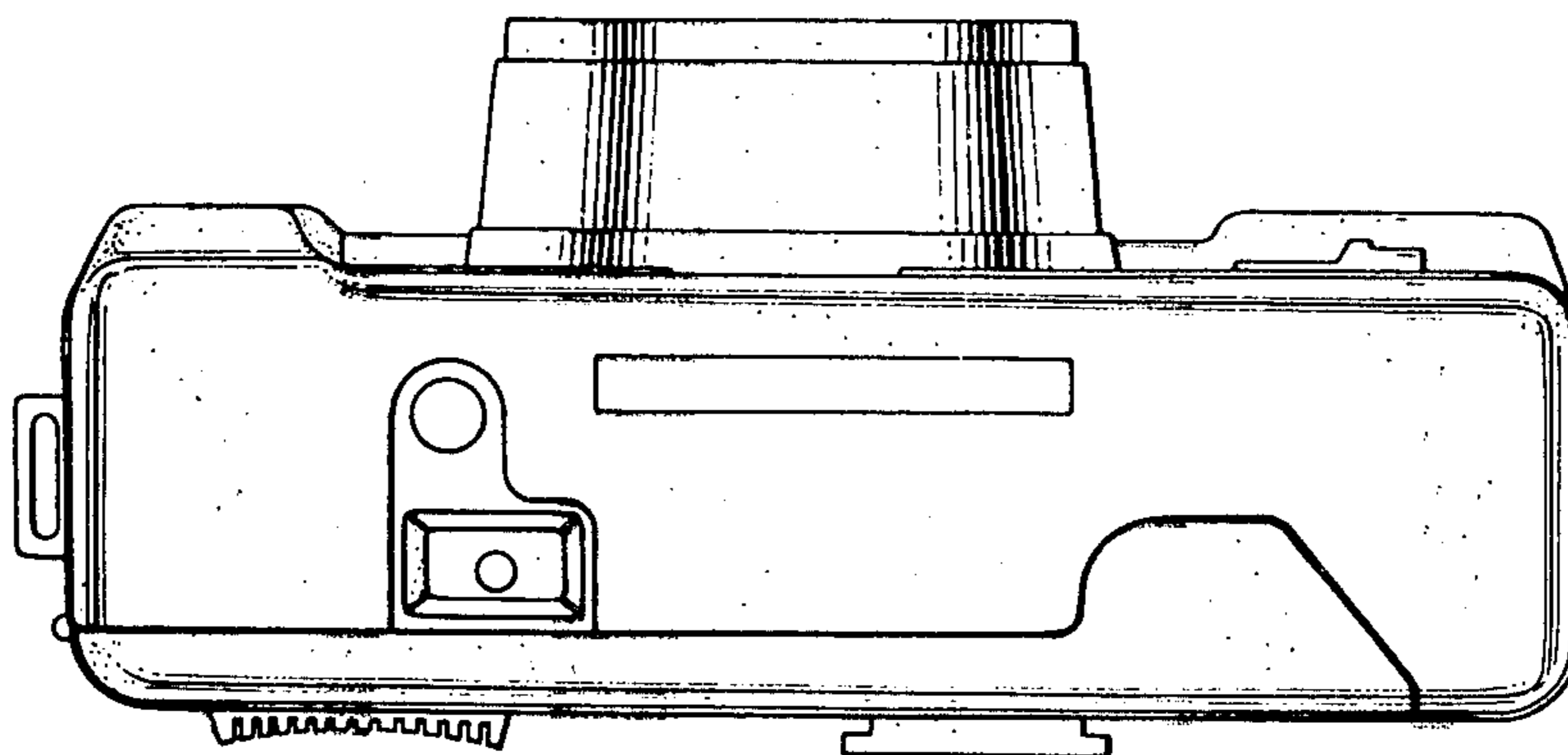


FIG. 8

