

United States Patent [19]

Sasaki

[11] Patent Number: Des. 276,047

[45] Date of Patent: ** Oct. 23, 1984

[54] MOWING MACHINE

[75] Inventor: Kouichi Sasaki, Saitama, Japan

[73] Assignee: Honda Giken Kogyo Kabushiki Kaisha, Tokyo, Japan

[**] Term: 14 Years

[21] Appl. No.: 344,841

[22] Filed: Feb. 1, 1982

[30] Foreign Application Priority Data

Sep. 16, 1981 [JP] Japan 56-40939

[52] U.S. Cl. D15/14

[58] Field of Search D15/10, 14, 16, 17, D15/18; 56/11.3, 202, 203, 204, 205, 206, 11.8, 255, 10.9

[56] References Cited

U.S. PATENT DOCUMENTS

3,949,540 4/1976 Christopherson et al. 56/202

4,149,362 4/1979 Naffner et al. 56/202

4,205,509 6/1980 Giyozawa et al. 56/11.3

4,212,141 7/1980 Miyazawa et al. 56/11.8

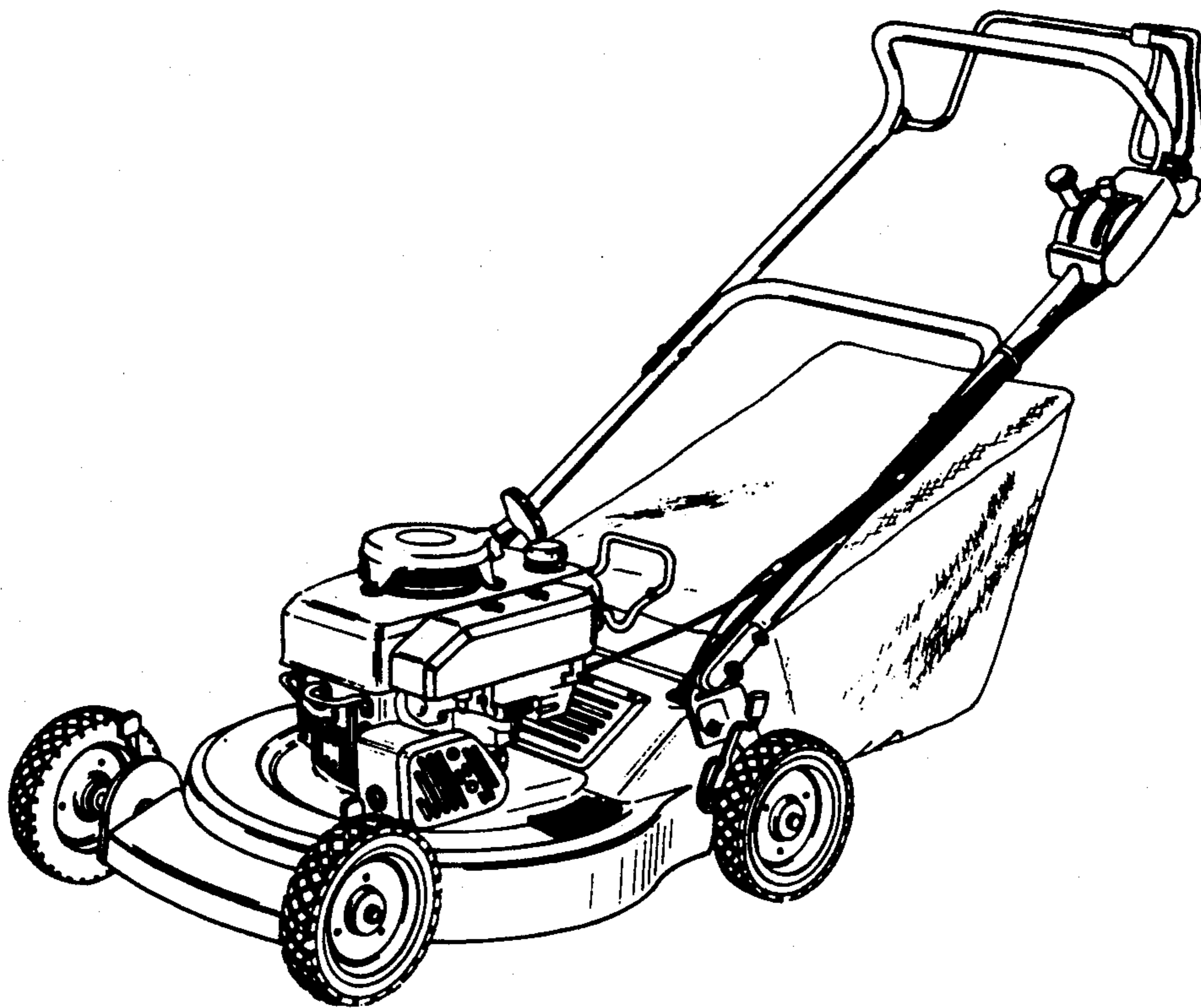
Primary Examiner—Wallace R. Burke
Assistant Examiner—Suzanne N. Gitlin
Attorney, Agent, or Firm—Sughrue, Mion, Zinn,
Macpeak and Seas

[57] CLAIM

The ornamental design for a mowing machine, as shown.

DESCRIPTION

FIG. 1 is a front, top and right side perspective view of a mowing machine showing my new design; FIG. 2 is a right side elevational view thereof; FIG. 3 is a top plan view thereof; FIG. 4 is a front elevational view thereof; FIG. 5 is a rear elevational view thereof; FIG. 6 is a left side elevational view thereof; and FIG. 7 is a bottom plan view thereof.



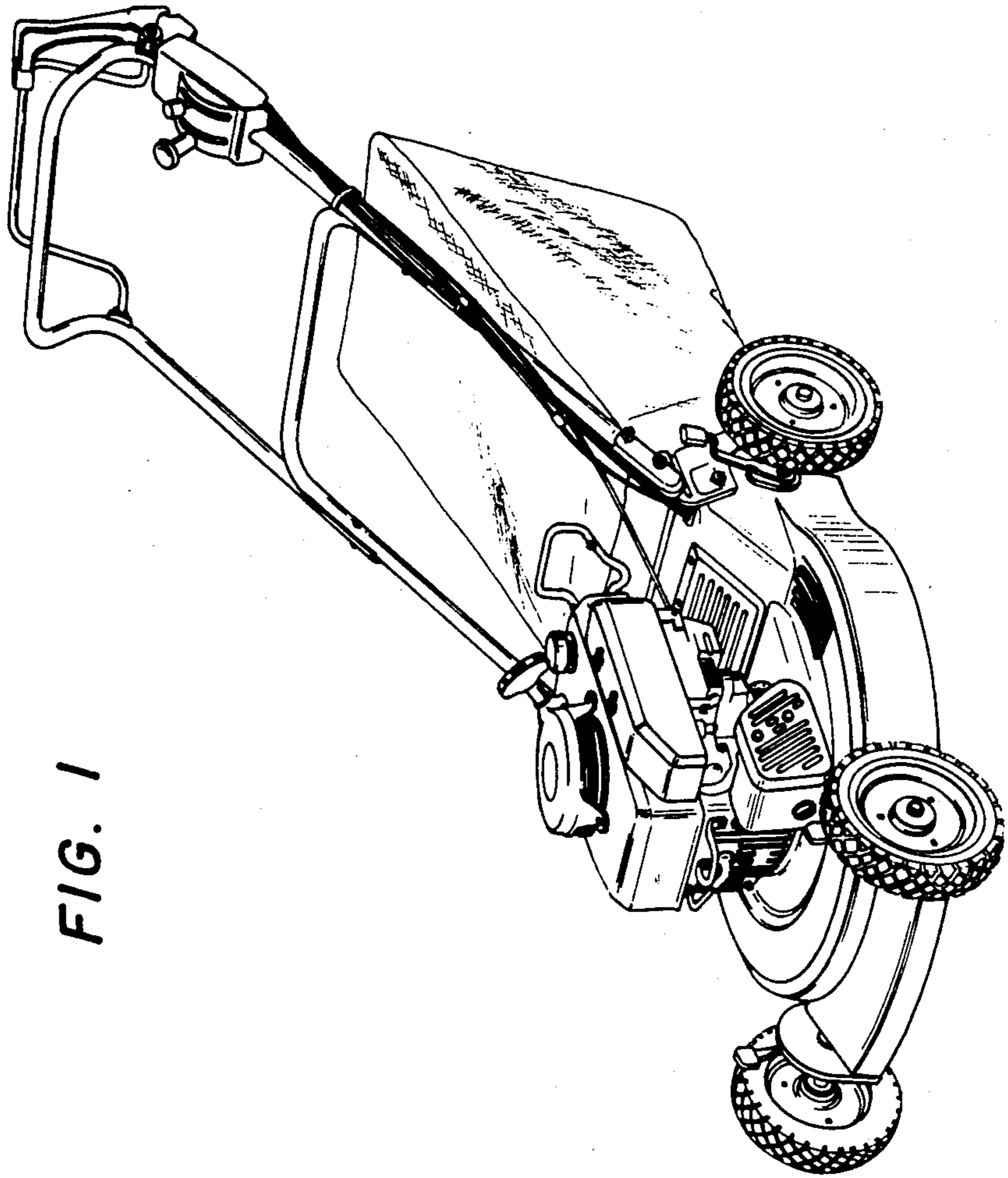


FIG. 1

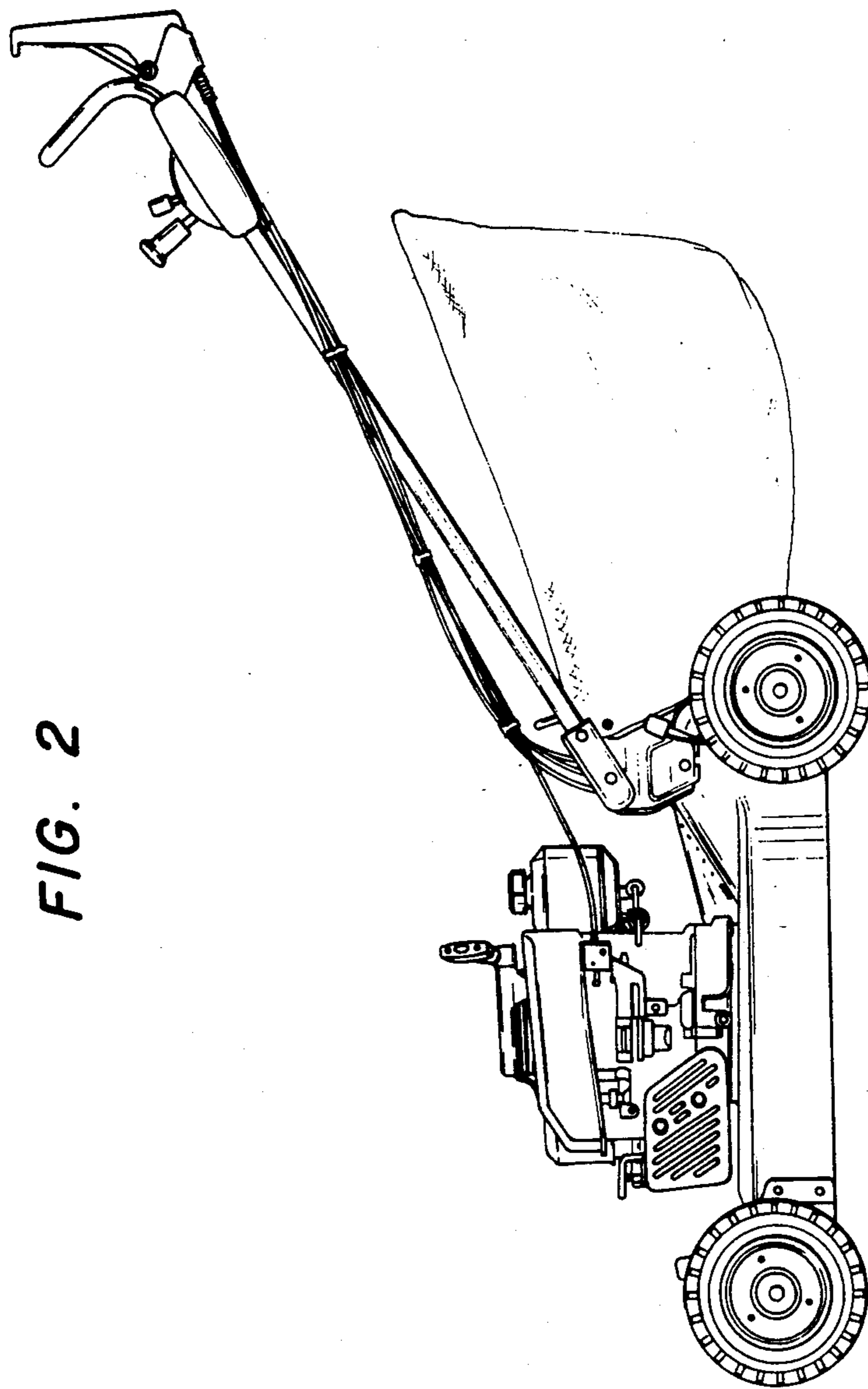


FIG. 2

FIG. 3

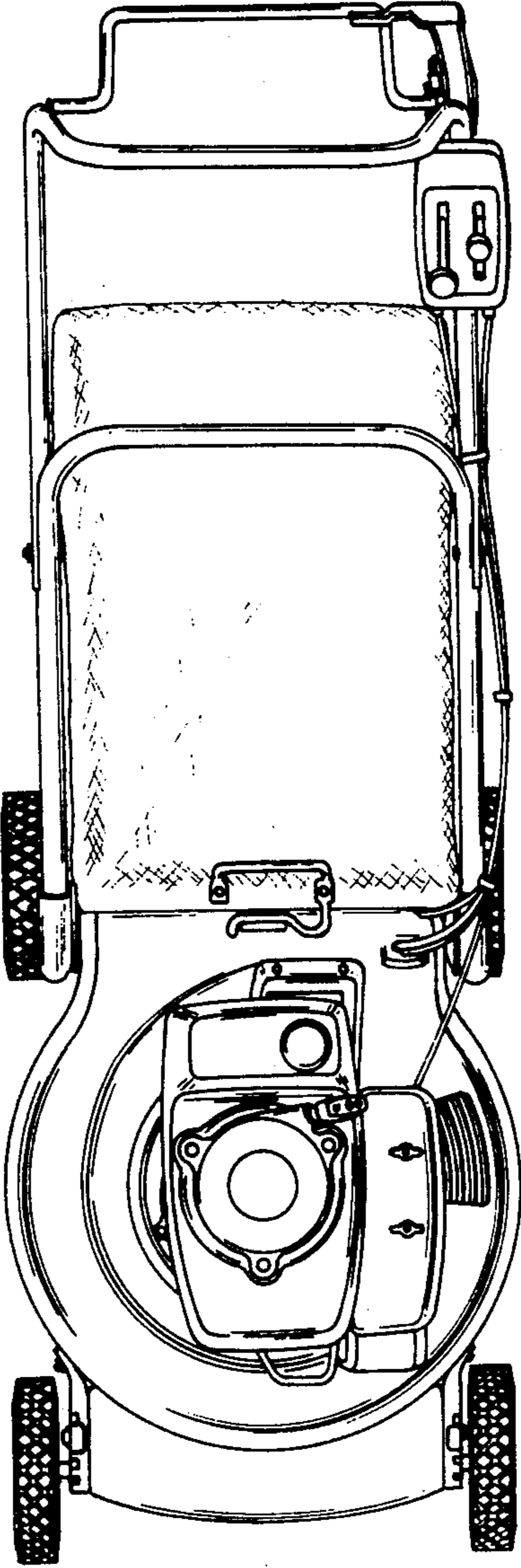


FIG. 5

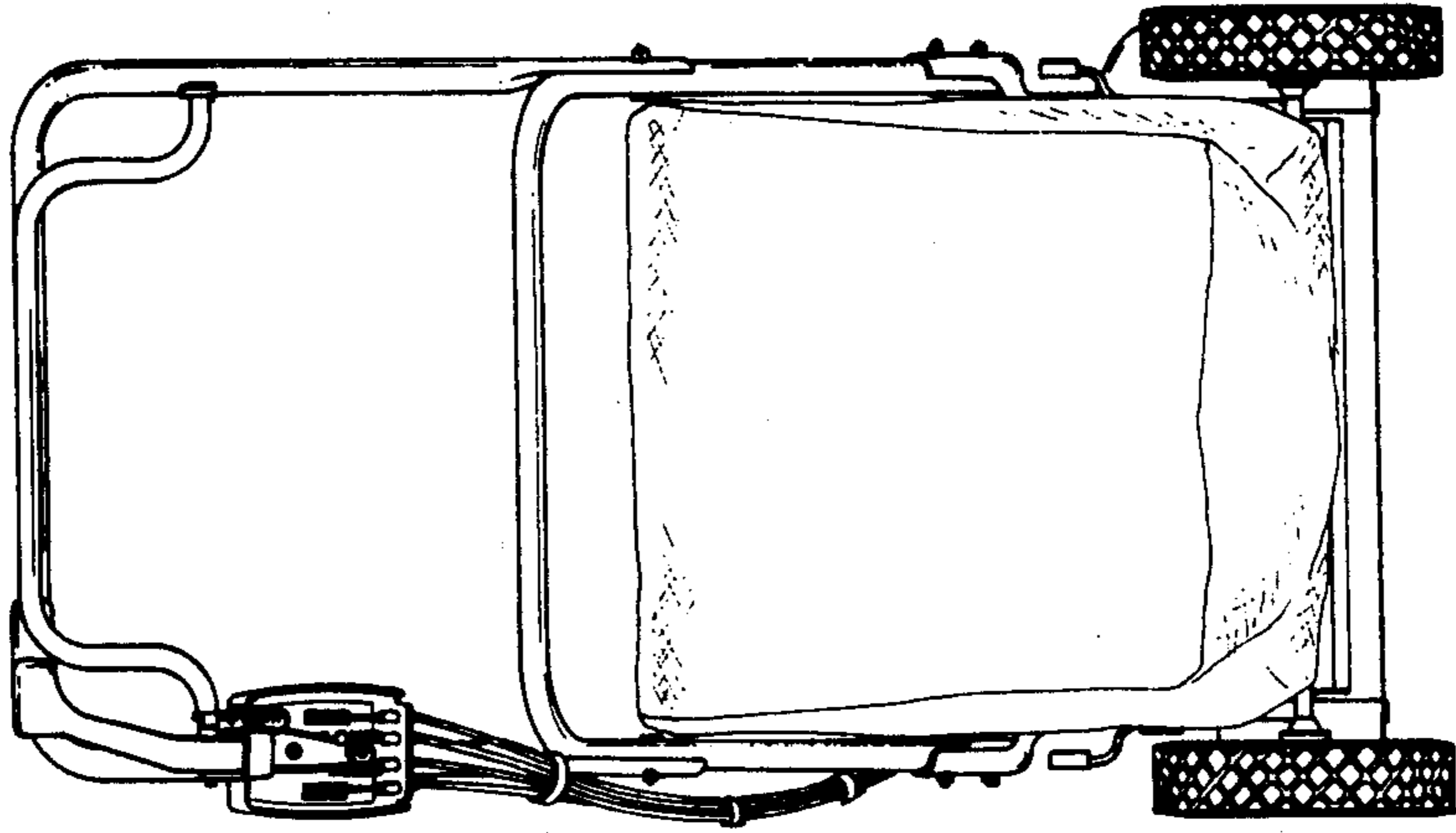


FIG. 4

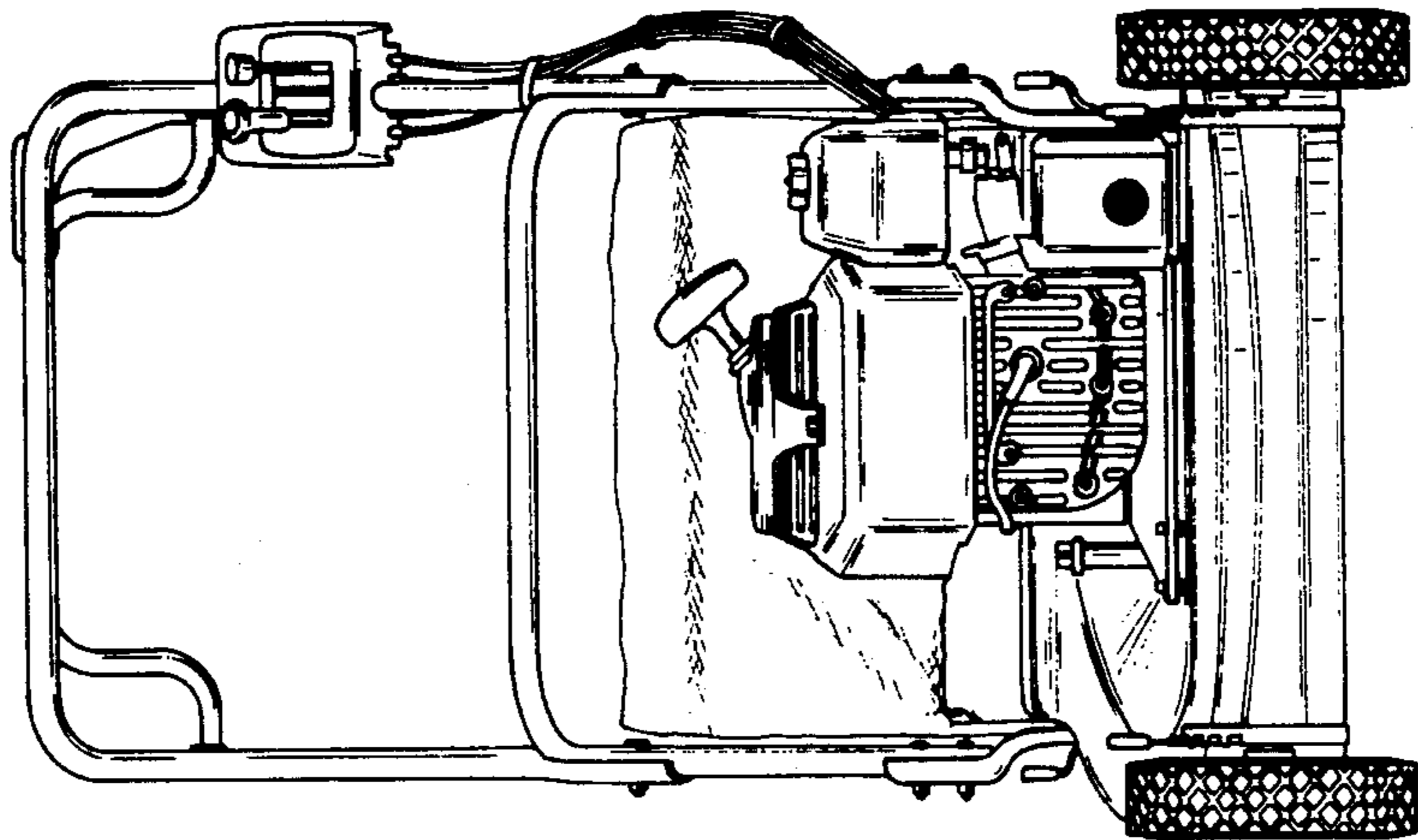


FIG. 6

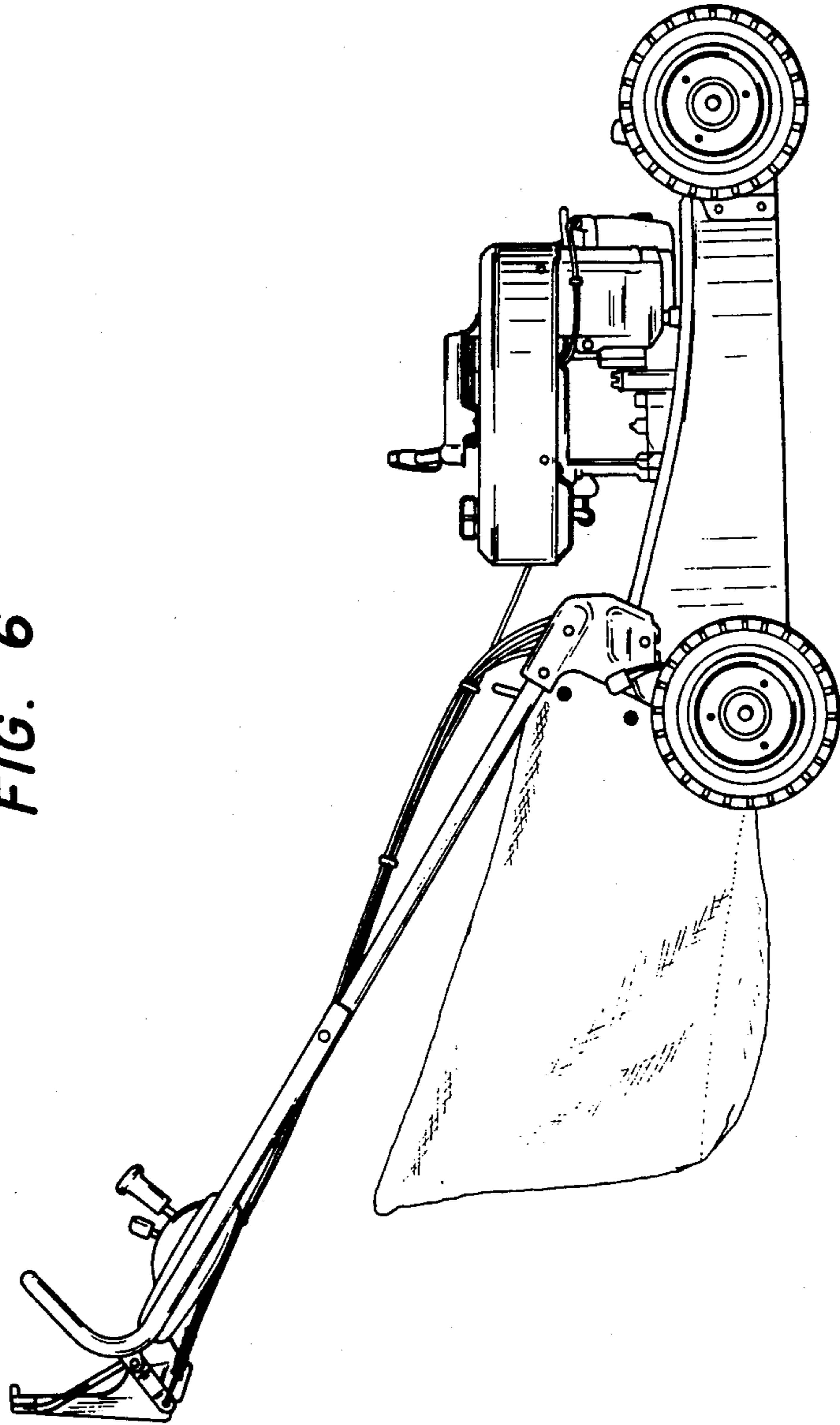


FIG. 7

