

[54] **LOUDSPEAKER**

[75] **Inventor: Manabu Kawachi, Tokyo, Japan**

[73] **Assignee: Pioneer Electronic Corporation,
Tokyo, Japan**

[**] **Term: 14 Years**

[21] **Appl. No.: 379,192**

[22] **Filed: May 17, 1982**

[30] **Foreign Application Priority Data**

Dec. 17, 1981 [JP] Japan 56-55970
Dec. 17, 1981 [JP] Japan 56-55971

[52] **U.S. Cl. D14/30; D14/34;
D14/39**

[58] **Field of Search D14/30, 32-34,
D14/37-39**

[56] **References Cited**

U.S. PATENT DOCUMENTS

D. 269,870 7/1983 Iijima D14/30
D. 270,909 10/1983 Iijima D14/30
D. 273,008 3/1984 Ishizaki D14/30
834,629 10/1906 Mobley D14/37

OTHER PUBLICATIONS

Handbook of Designs and Devices, C. P. Hornung, ©'59,
Dover, N.Y., p. 27, Design #237.

Primary Examiner—Jane E. Corrigan
Attorney, Agent, or Firm—Sughrue, Mion, Zinn,
Macpeak & Seas

[57] **CLAIM**

The ornamental design for loudspeaker, as shown and
described.

DESCRIPTION

FIG. 1 is a front elevational view of a loudspeaker
showing my new design;
FIG. 2 is a rear elevational view thereof;
FIG. 3 is a top plan view thereof;
FIG. 4 is a right side elevational view thereof;
FIG. 5 is a bottom plan view thereof;
FIG. 6 is a perspective view thereof;
FIG. 7 is a front elevational view of a modified form of
loudspeaker showing my new design wherein a front
attachment is added;
FIG. 8 is a rear elevational view thereof;
FIG. 9 is a top plan view thereof;
FIG. 10 is a right side elevational view thereof;
FIG. 11 is a bottom plan view thereof; and
FIG. 12 is a perspective view thereof.

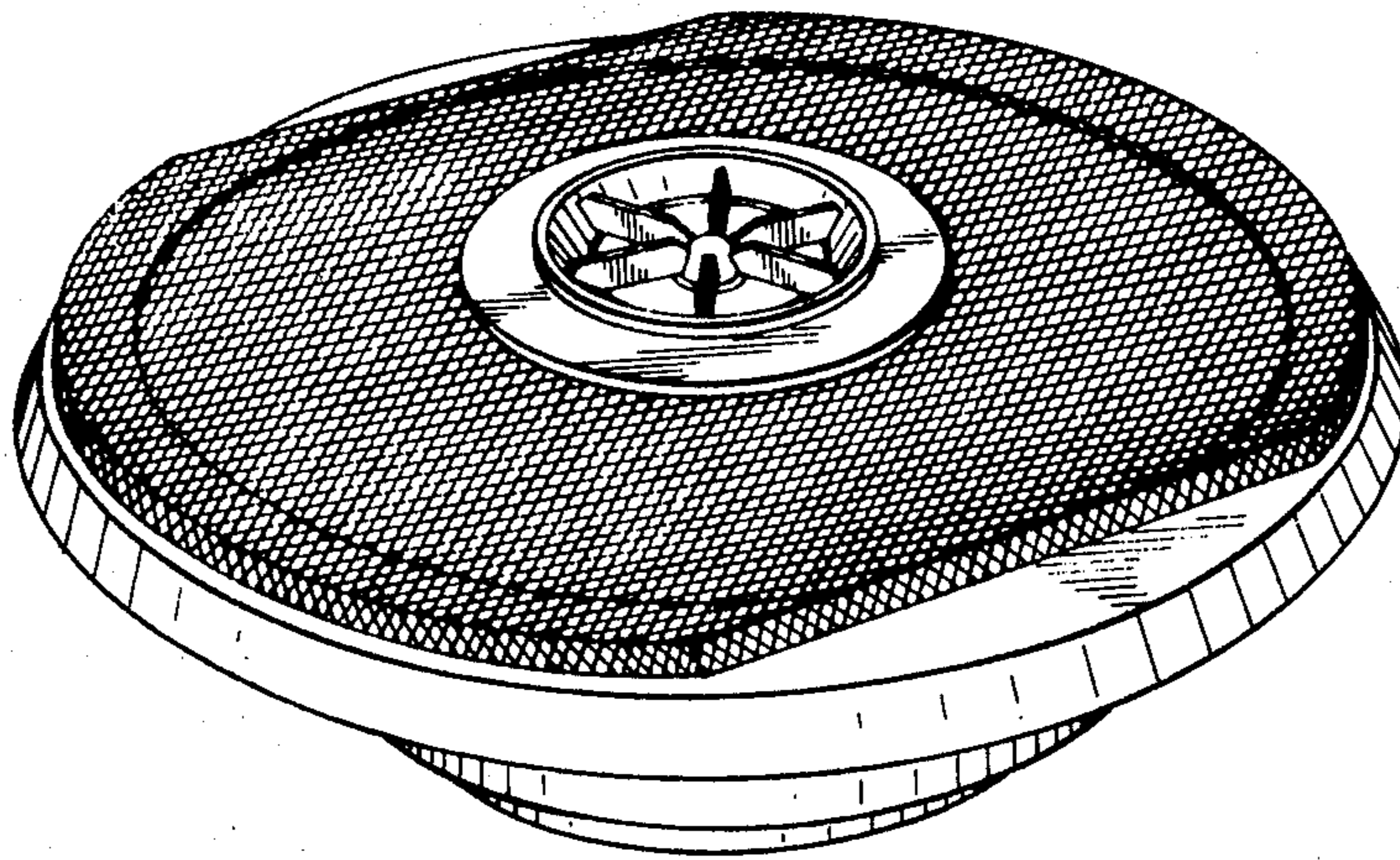


FIG. 1

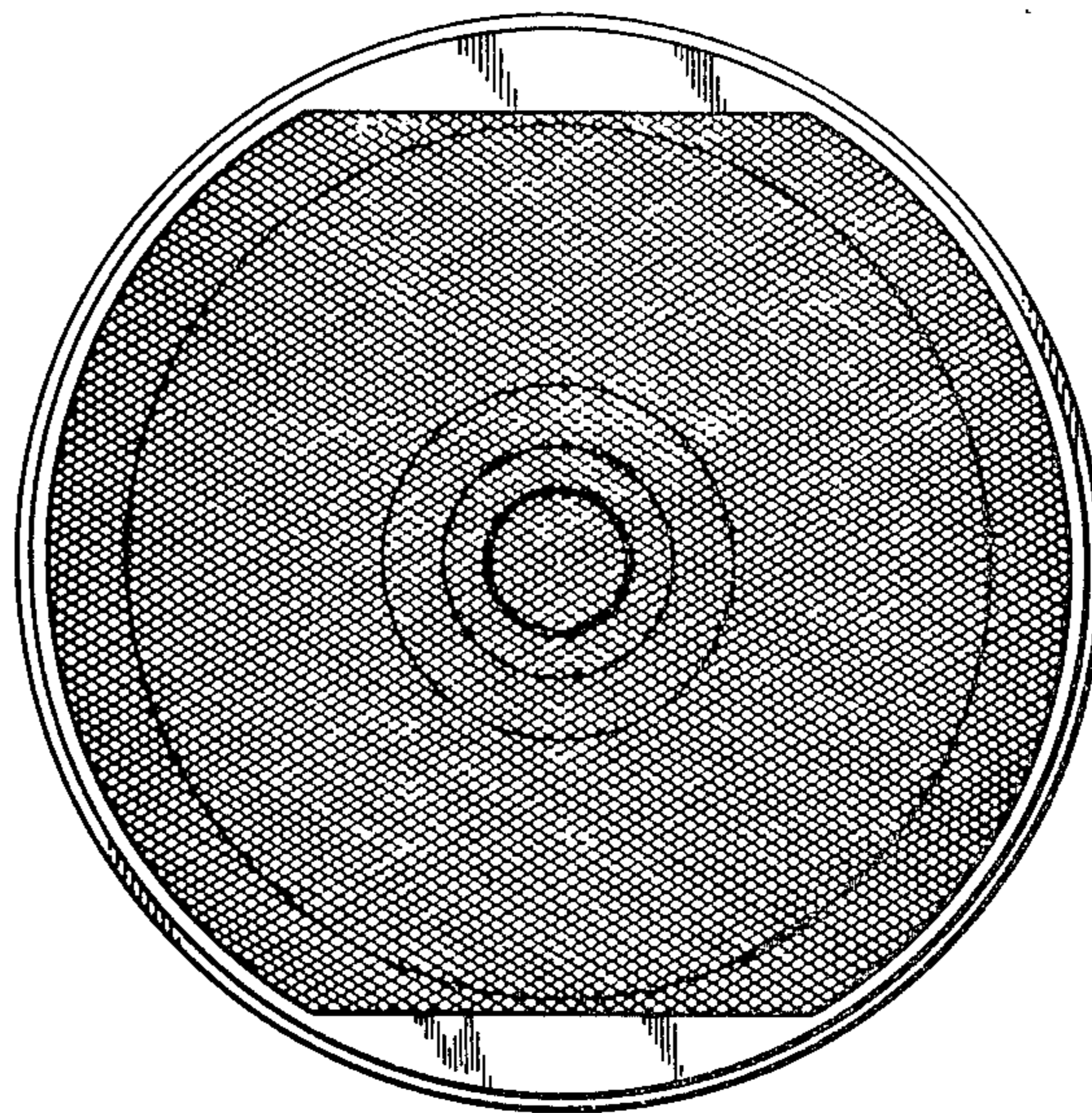


FIG. 2

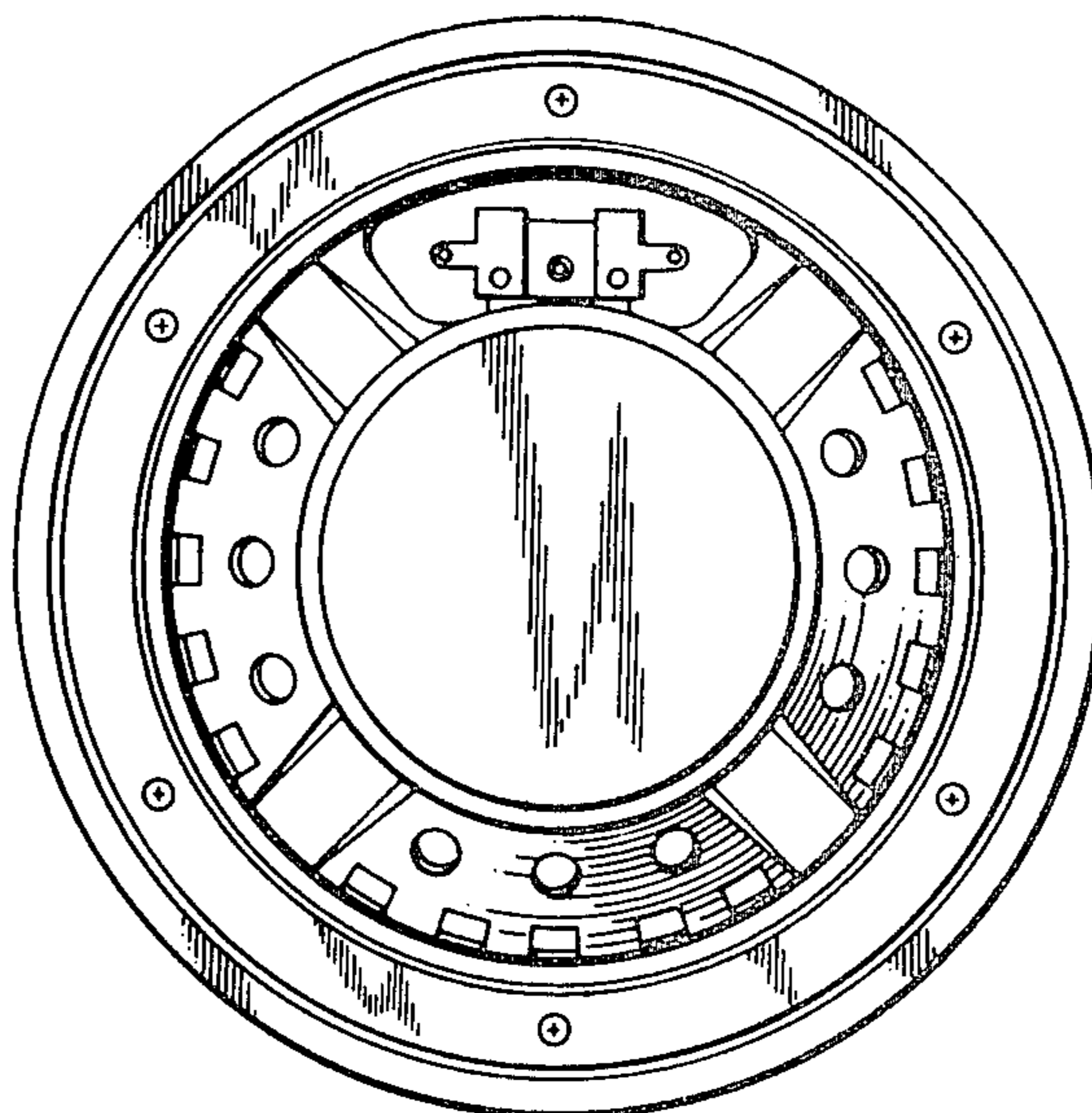


FIG. 3

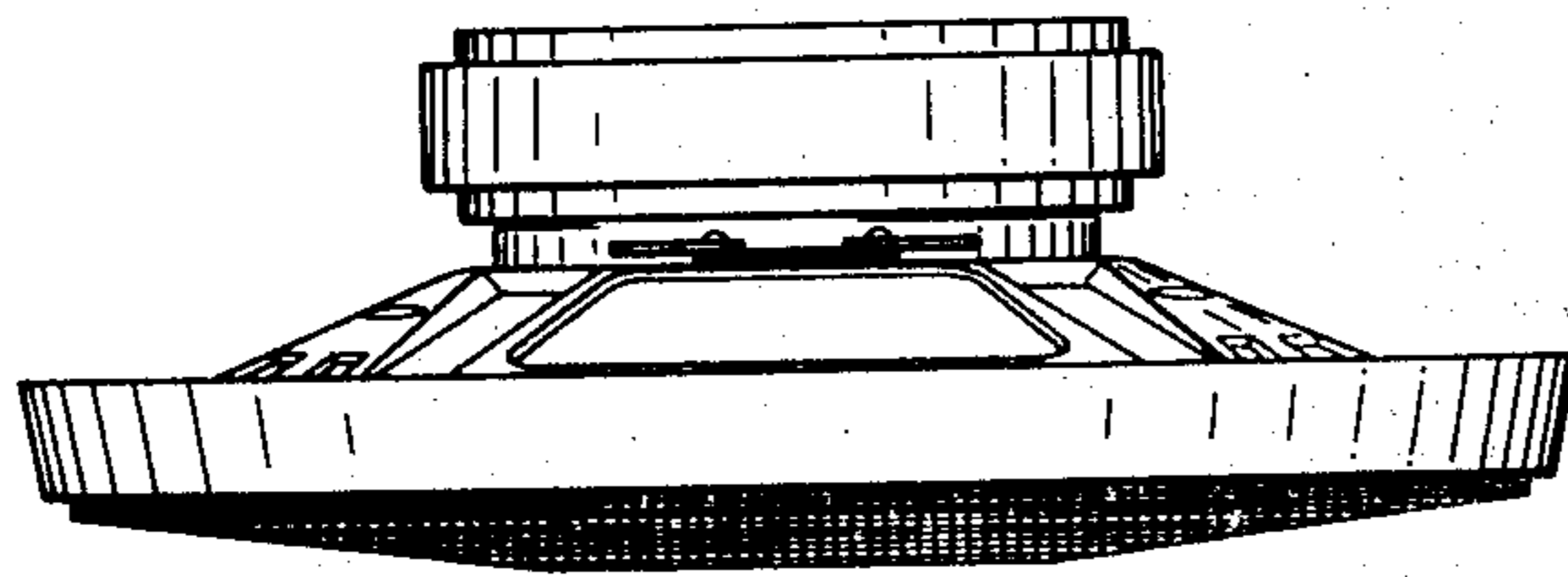


FIG. 4

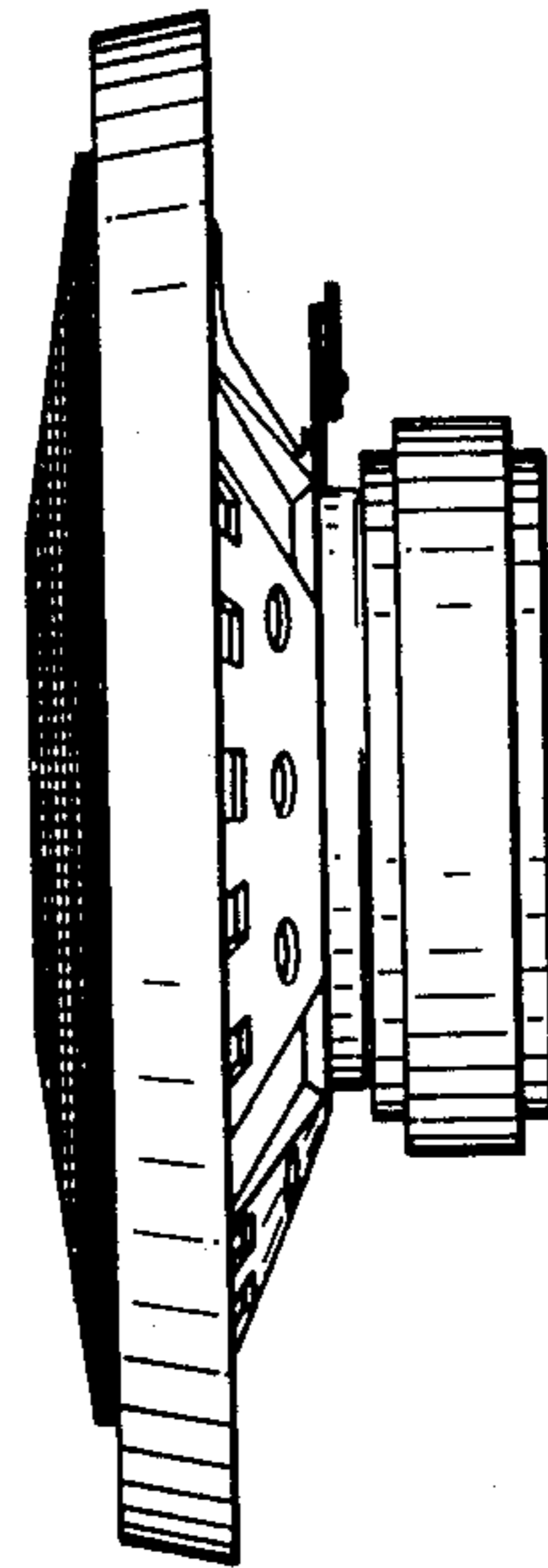


FIG. 5

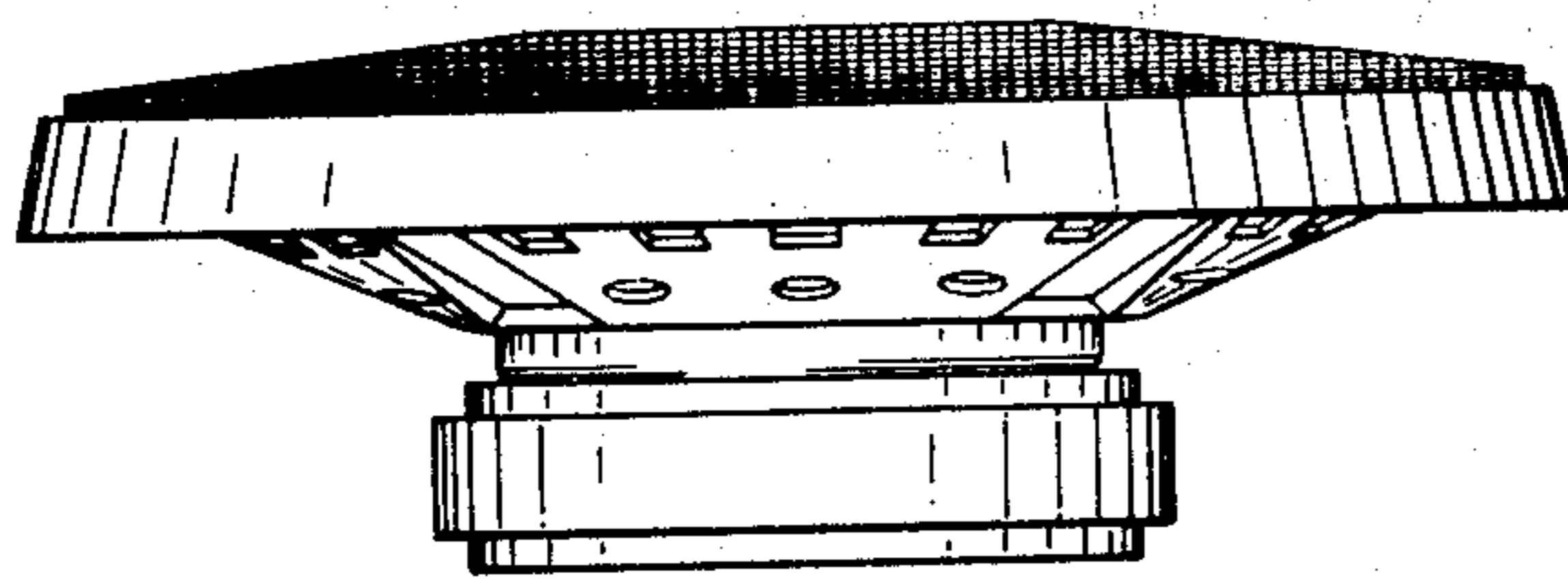


FIG. 6

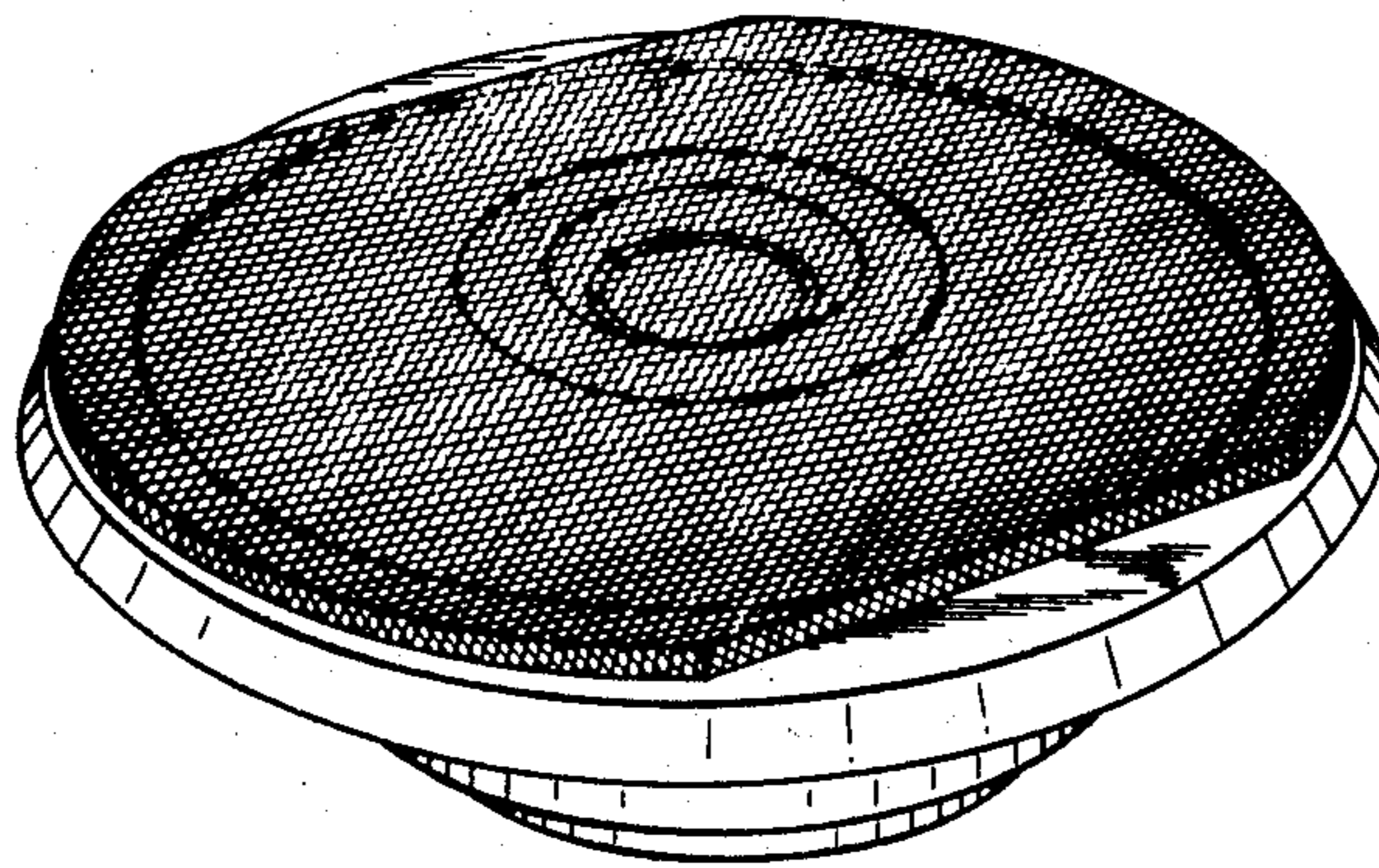


FIG. 7

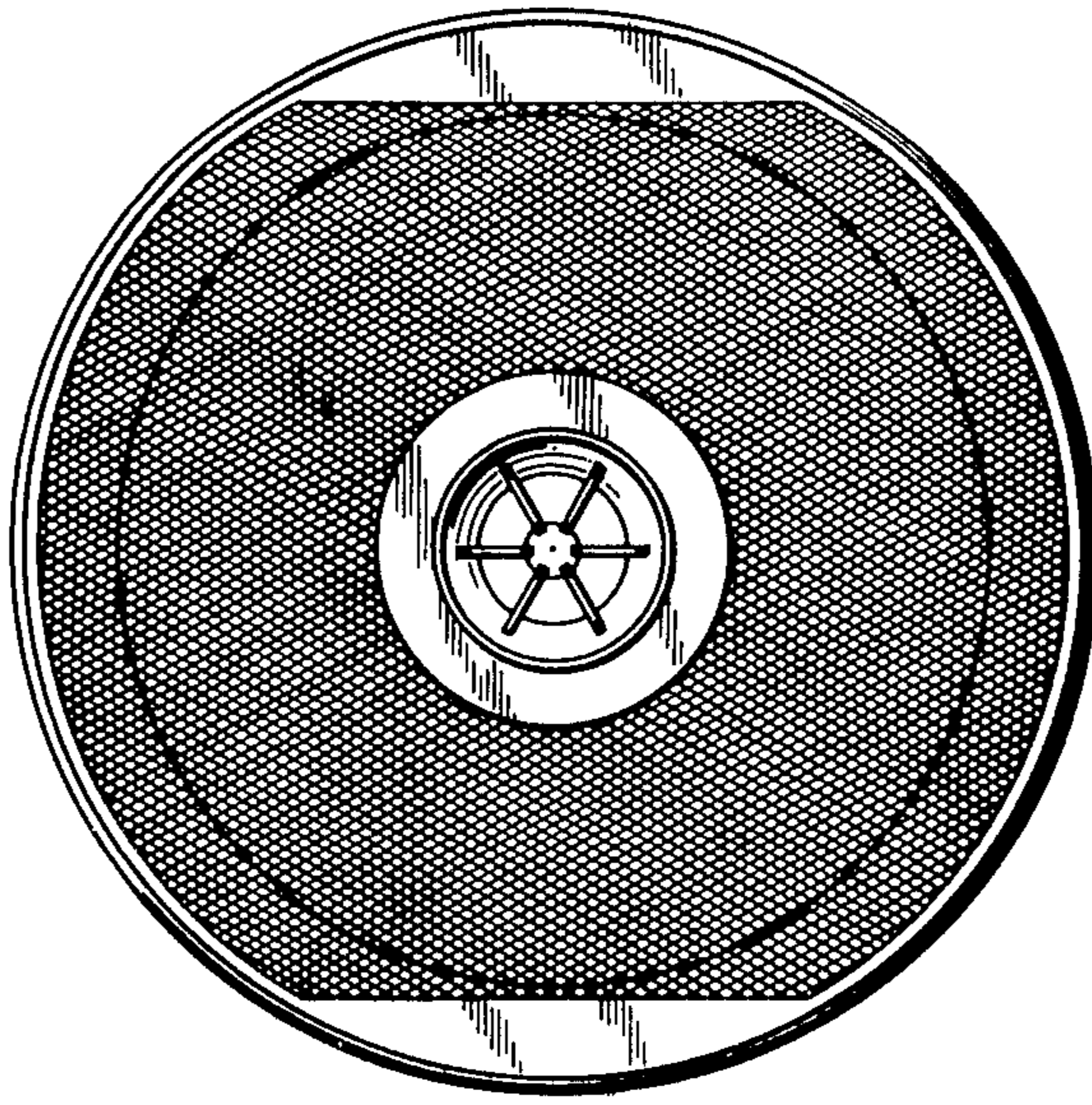


FIG. 8

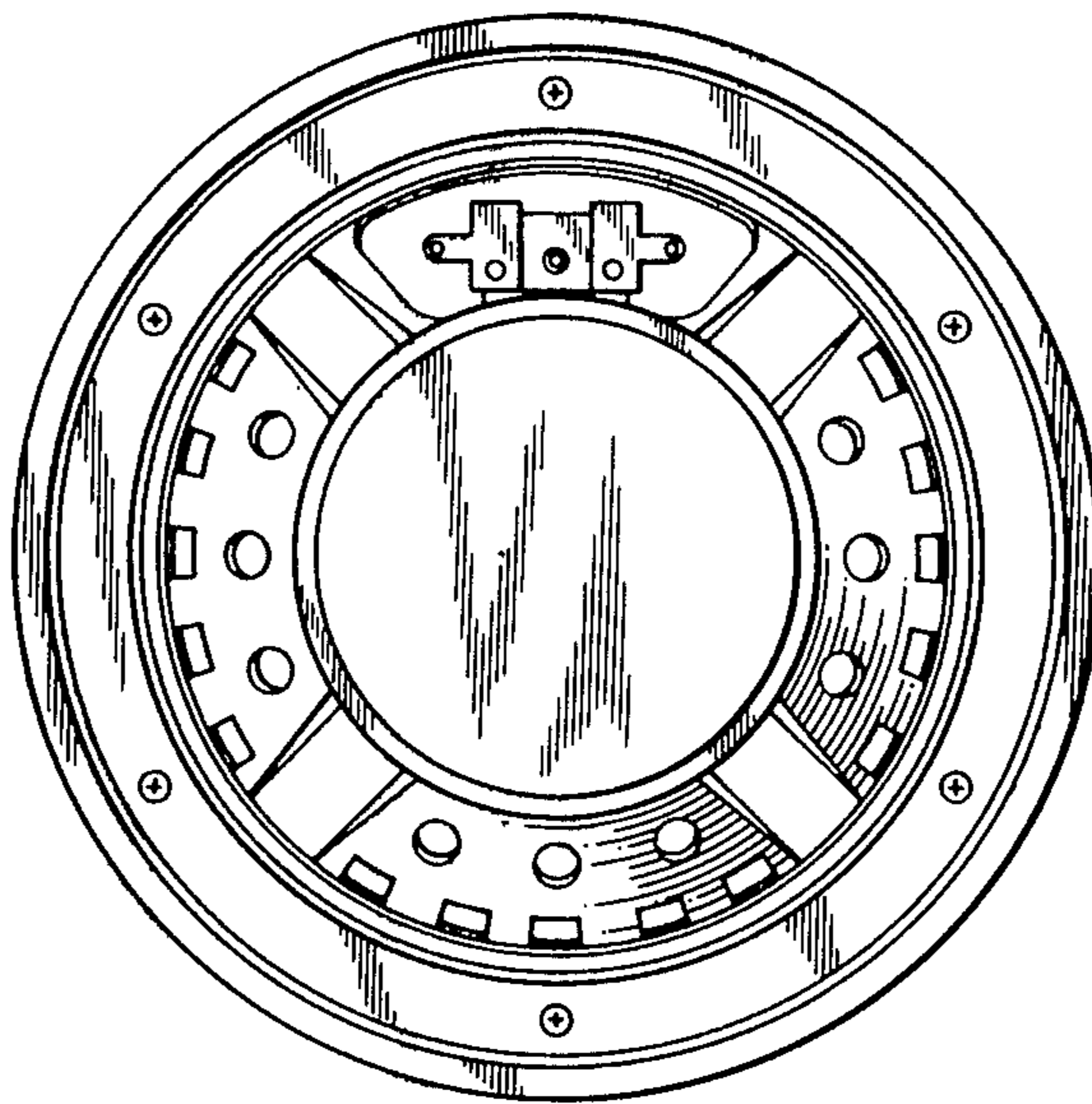


FIG. 9

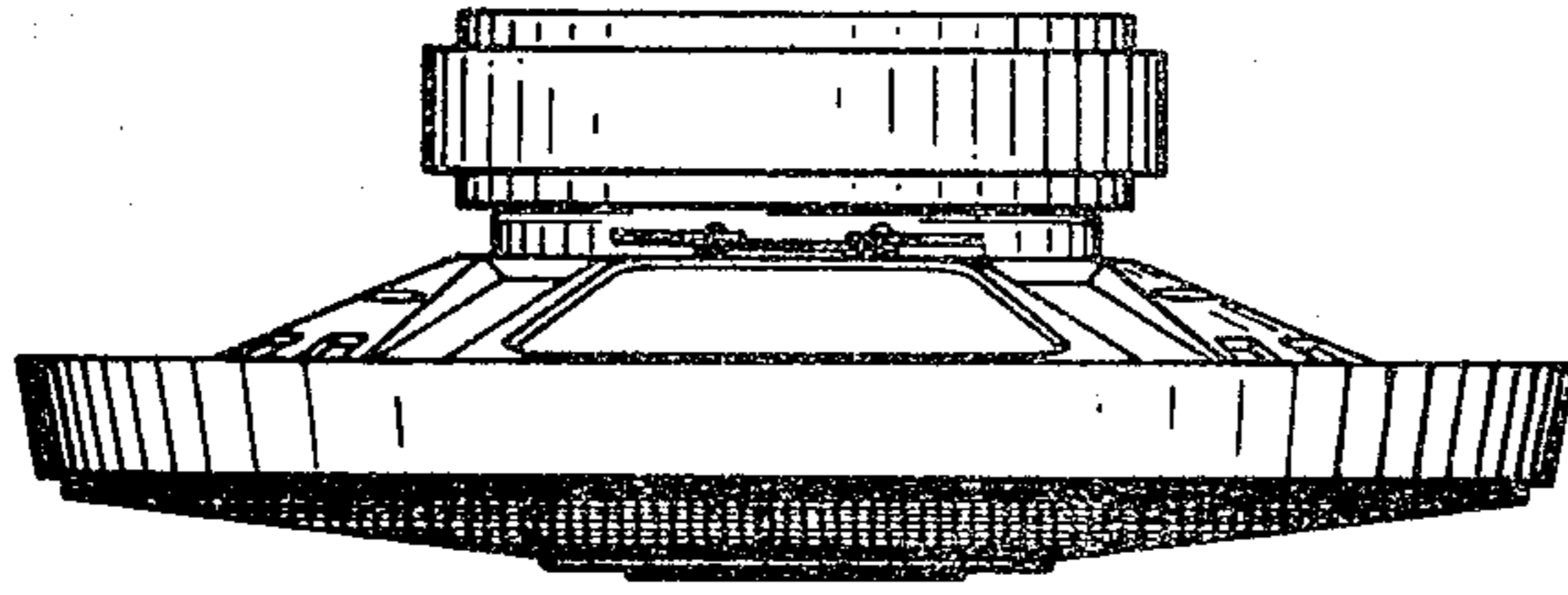


FIG. 10

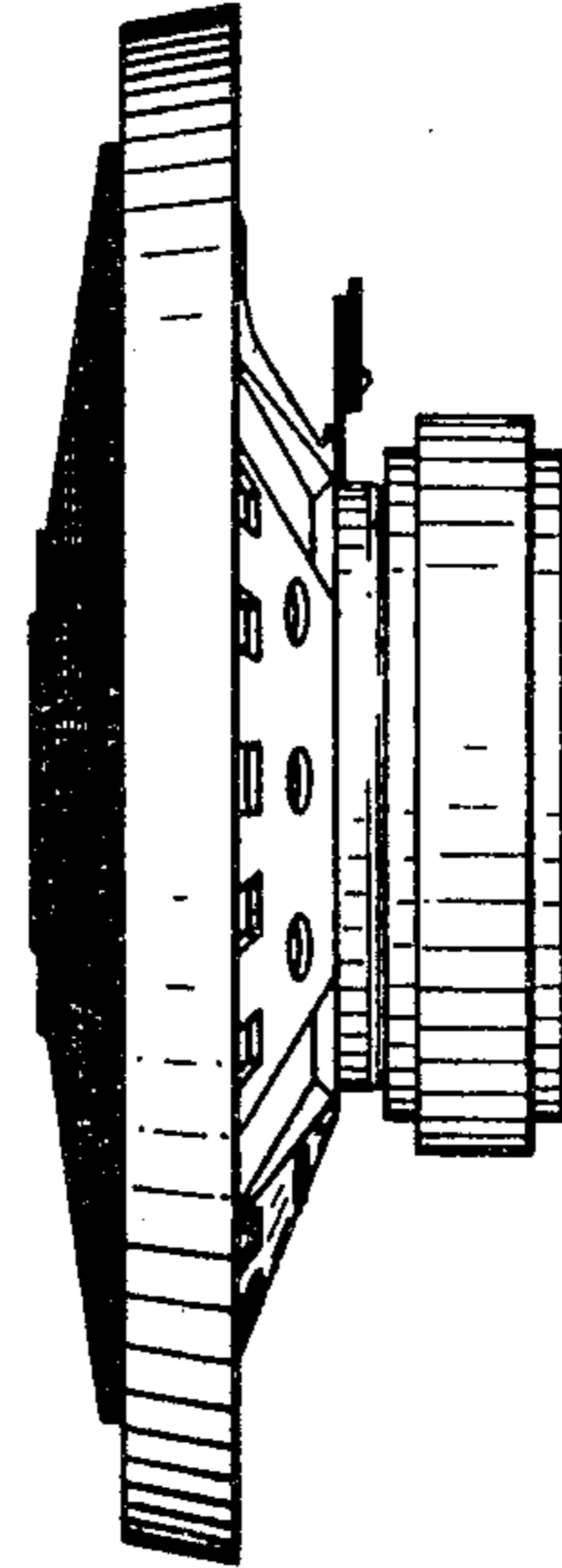


FIG. 11

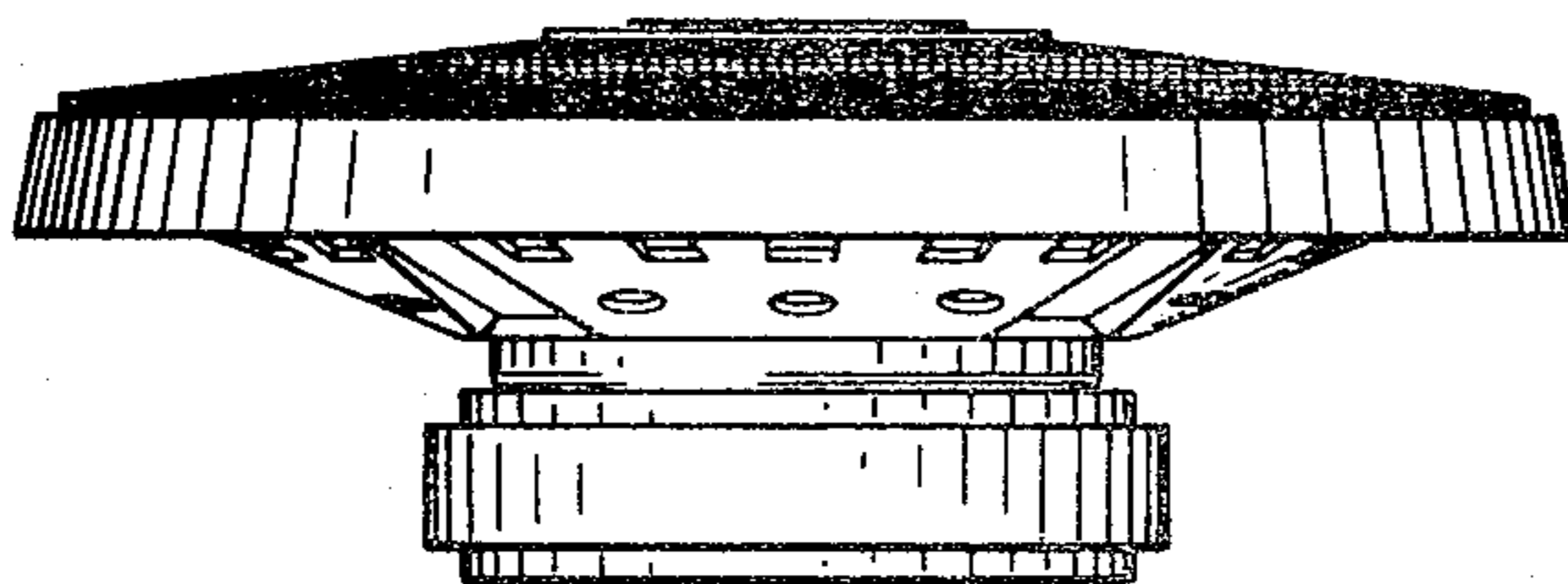


FIG. 12

