

- [54] **PACKAGING TRAY FOR FOOD OR THE LIKE**
- [75] Inventor: **Don Hexamer, Brautford, Canada**
- [73] Assignee: **Par-Pak Limited, Ontario, Canada**
- [**] Term: **14 Years**
- [21] Appl. No.: **388,370**
- [22] Filed: **Jun. 14, 1982**
- [52] U.S. Cl. **D9/425**
- [58] Field of Search **D9/414, 424, 425, 426, D9/429; D34/40-45; 229/1.5 R, 2.5 R, 30; 206/503, 505**

[56] **References Cited**
U.S. PATENT DOCUMENTS

D. 197,584	2/1964	Nascher et al.	D9/425
D. 224,587	8/1972	Jewell	D9/425
D. 244,352	5/1977	Congleton	D9/425
D. 249,233	9/1978	Florian	D9/425
3,104,044	9/1963	Reifers	D9/425 X
3,379,339	4/1968	Asenbauer	D34/40 X
3,987,829	10/1976	Leone	D34/43 X

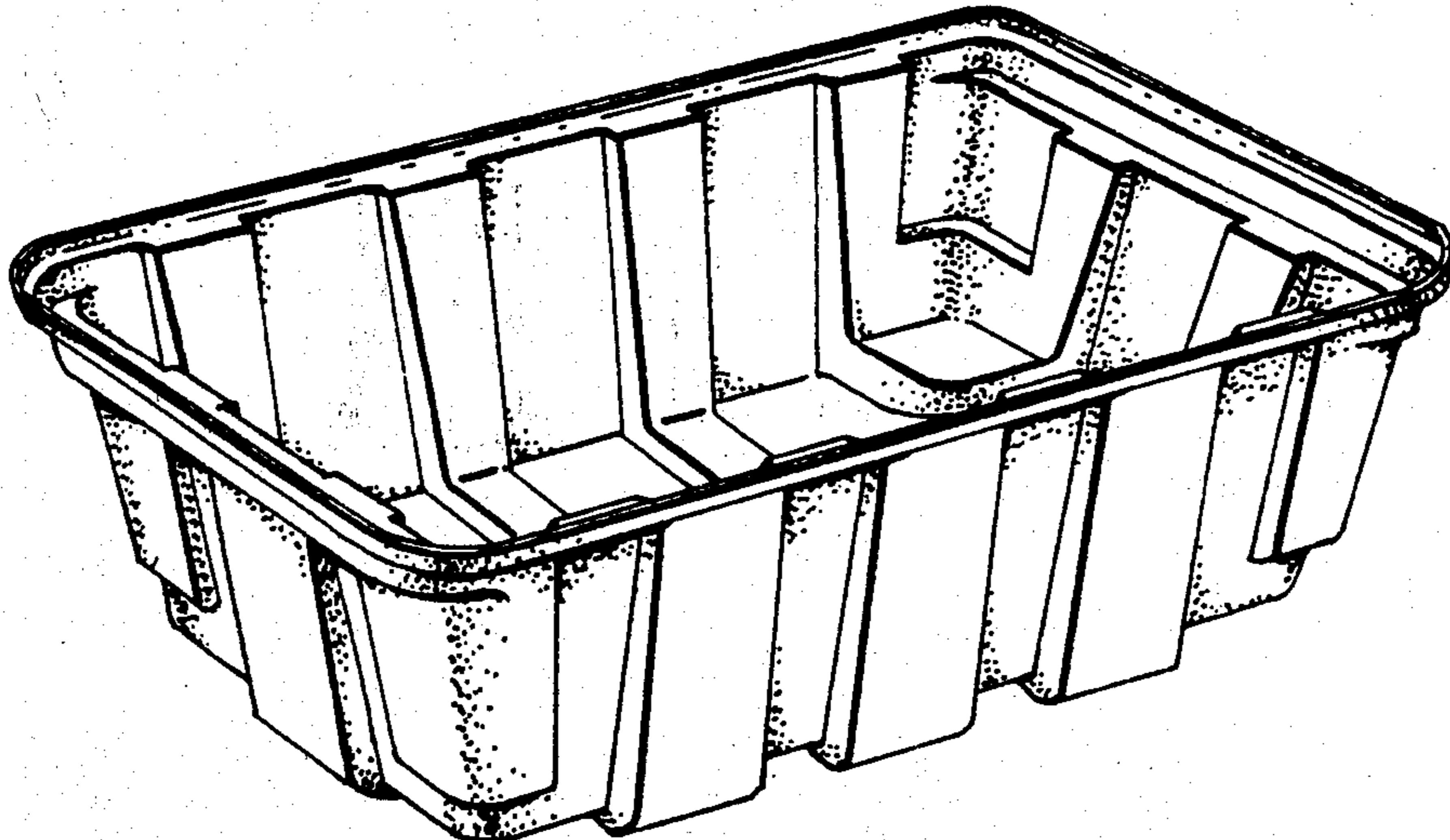
Primary Examiner—Robert C. Spangler
Attorney, Agent, or Firm—Sughrue, Mion, zinn, Macpeak and Seas

[57] **CLAIM**

The ornamental design for a packaging tray for food or the like, as shown and described.

DESCRIPTION

FIG. 1 is a top perspective view of a packaging tray for food or the like showing my new design;
 FIG. 2 is a bottom perspective view;
 FIG. 3 is a side elevational view;
 FIG. 4 is an end elevational view thereof;
 FIG. 5 is a top perspective view showing a modified form of my new design;
 FIG. 6 is a bottom perspective view;
 FIG. 7 is a side elevational view;
 FIG. 8 is an end elevational view thereof;
 FIG. 9 is a top perspective view showing still another modified form of my new design;
 FIG. 10 is a bottom perspective view; and
 FIG. 11 is a side elevational view thereof.



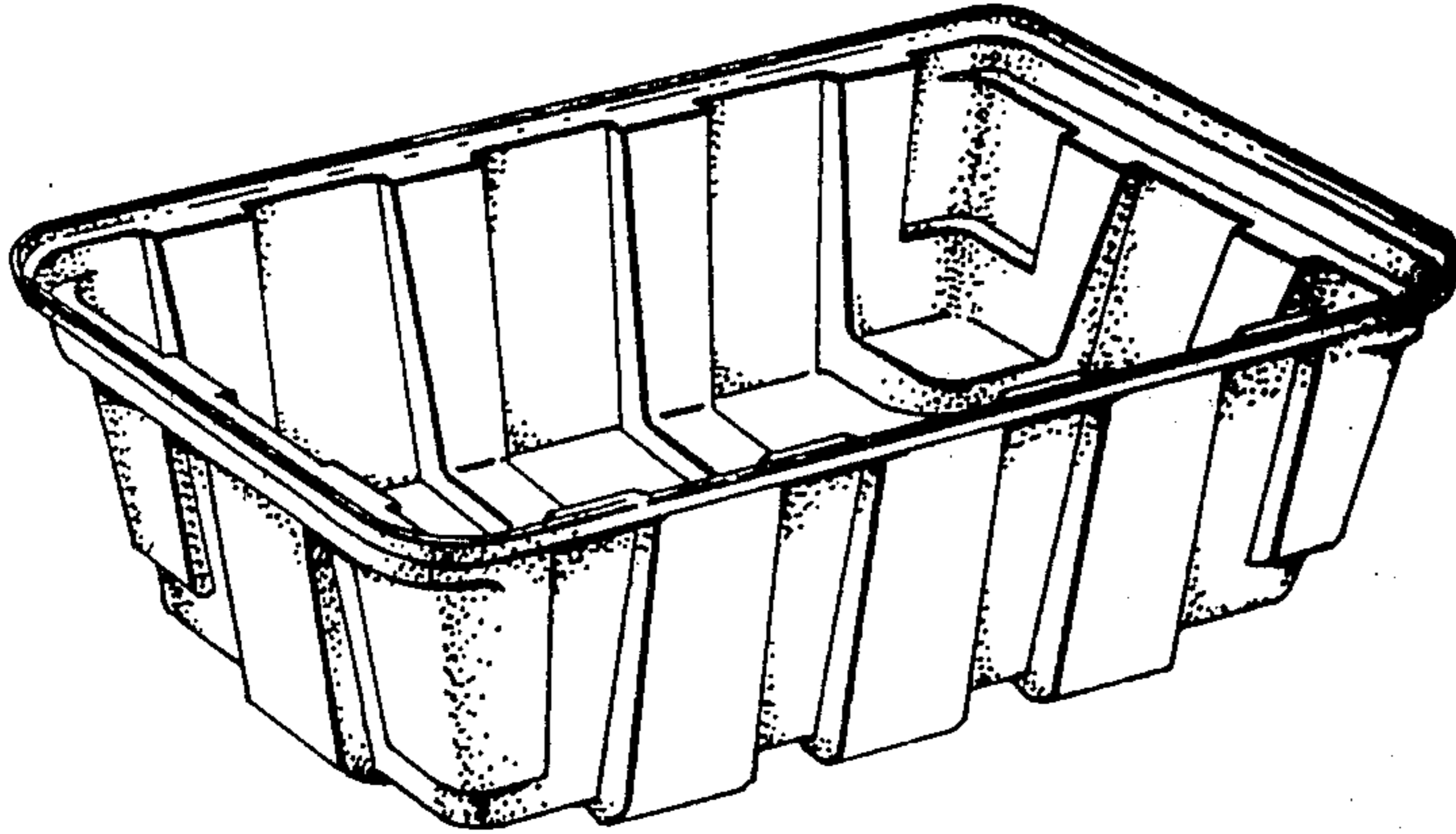


FIG. 1

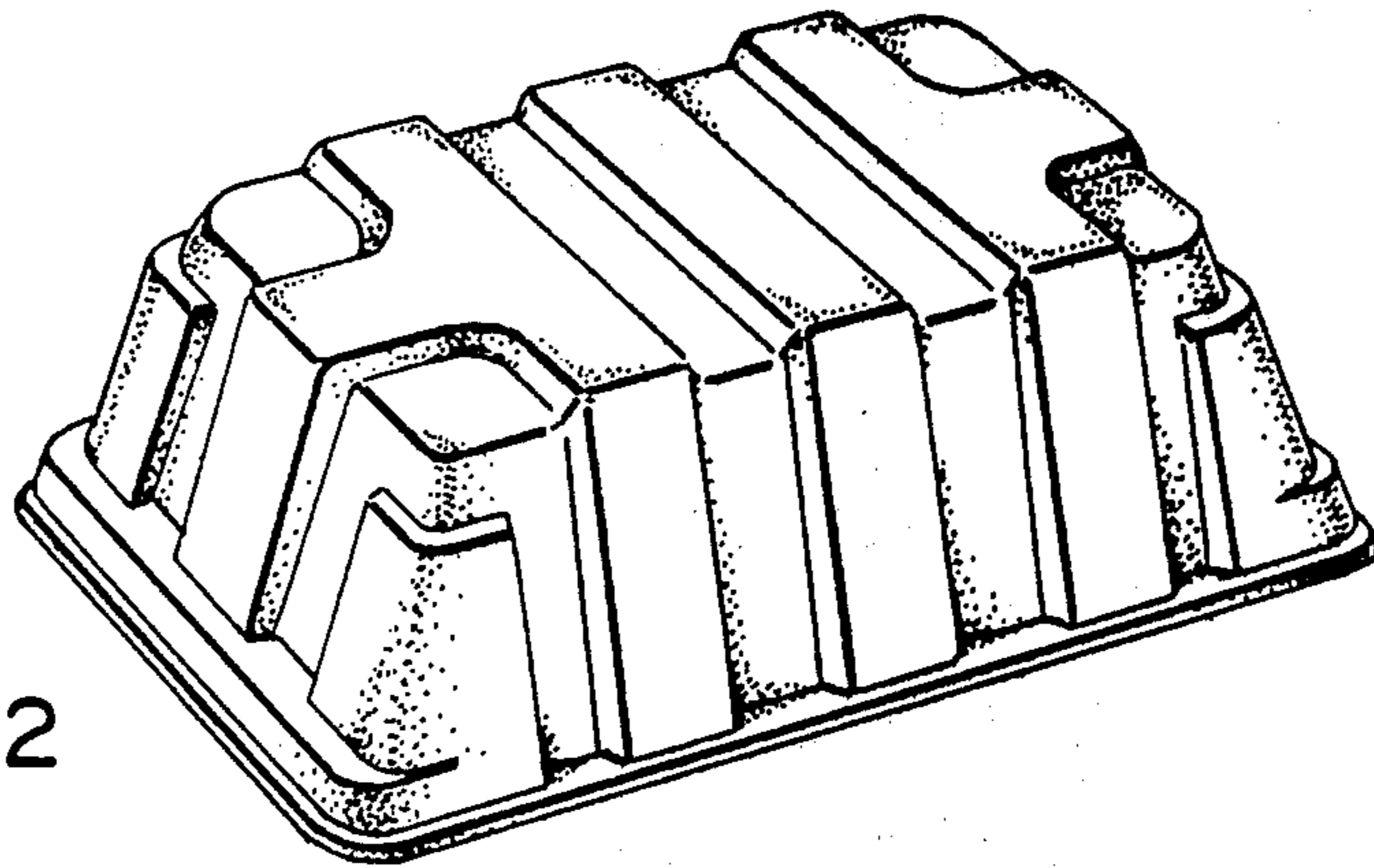


FIG. 2

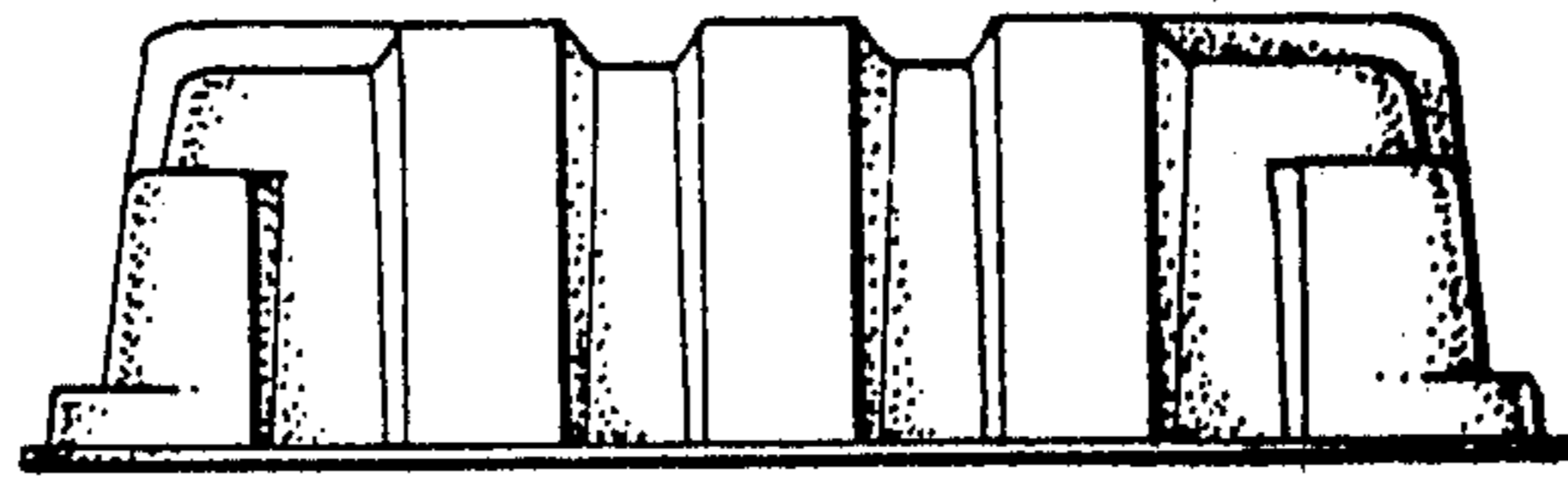


FIG. 3

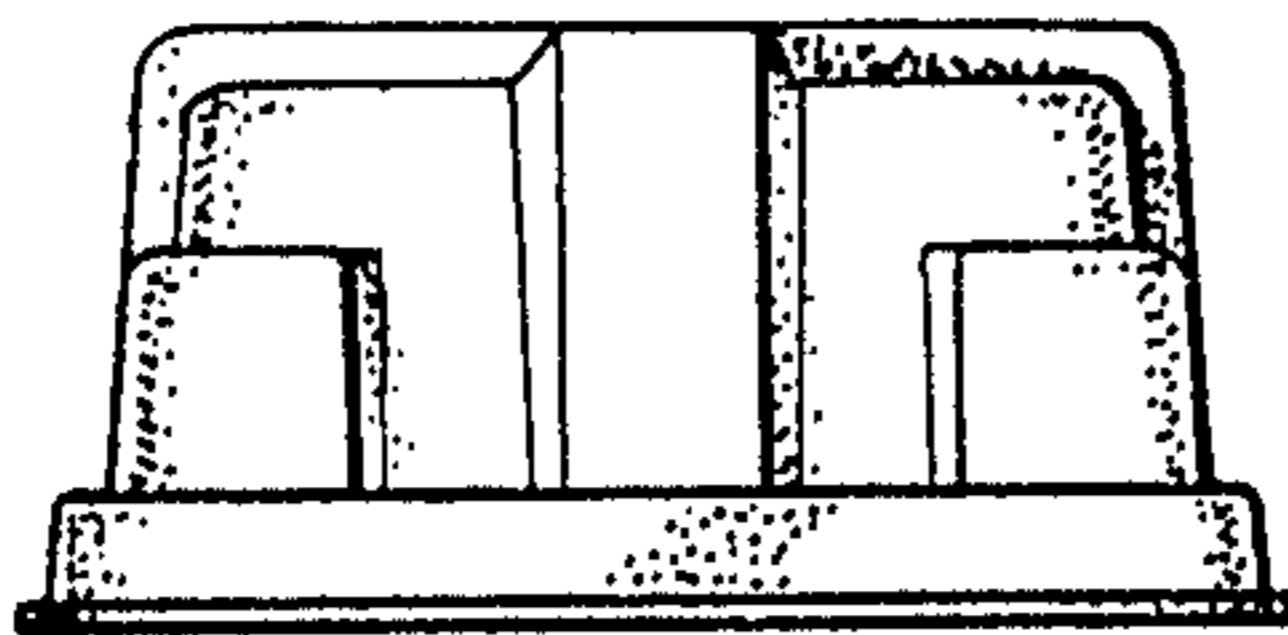


FIG. 4

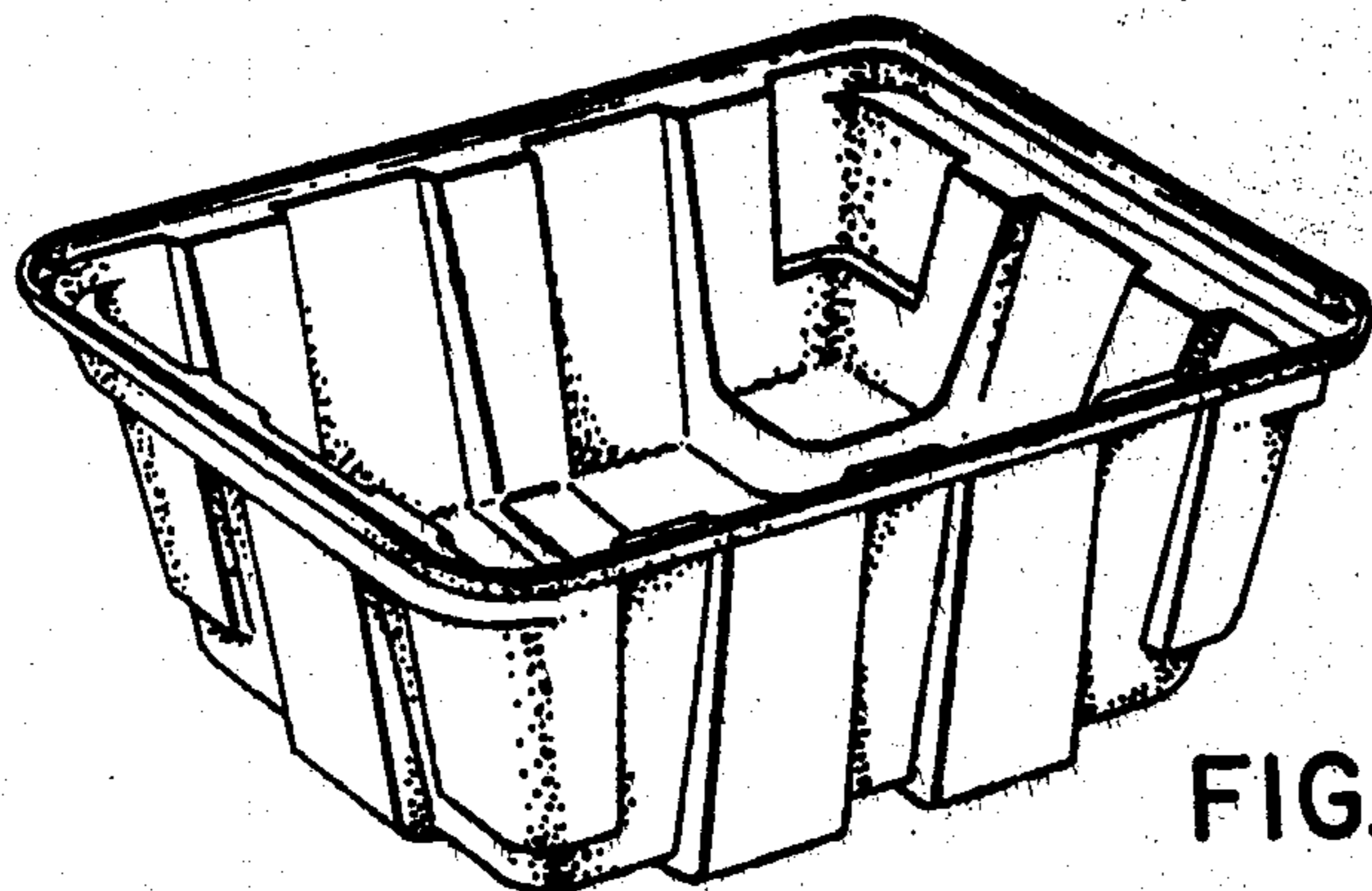


FIG. 5

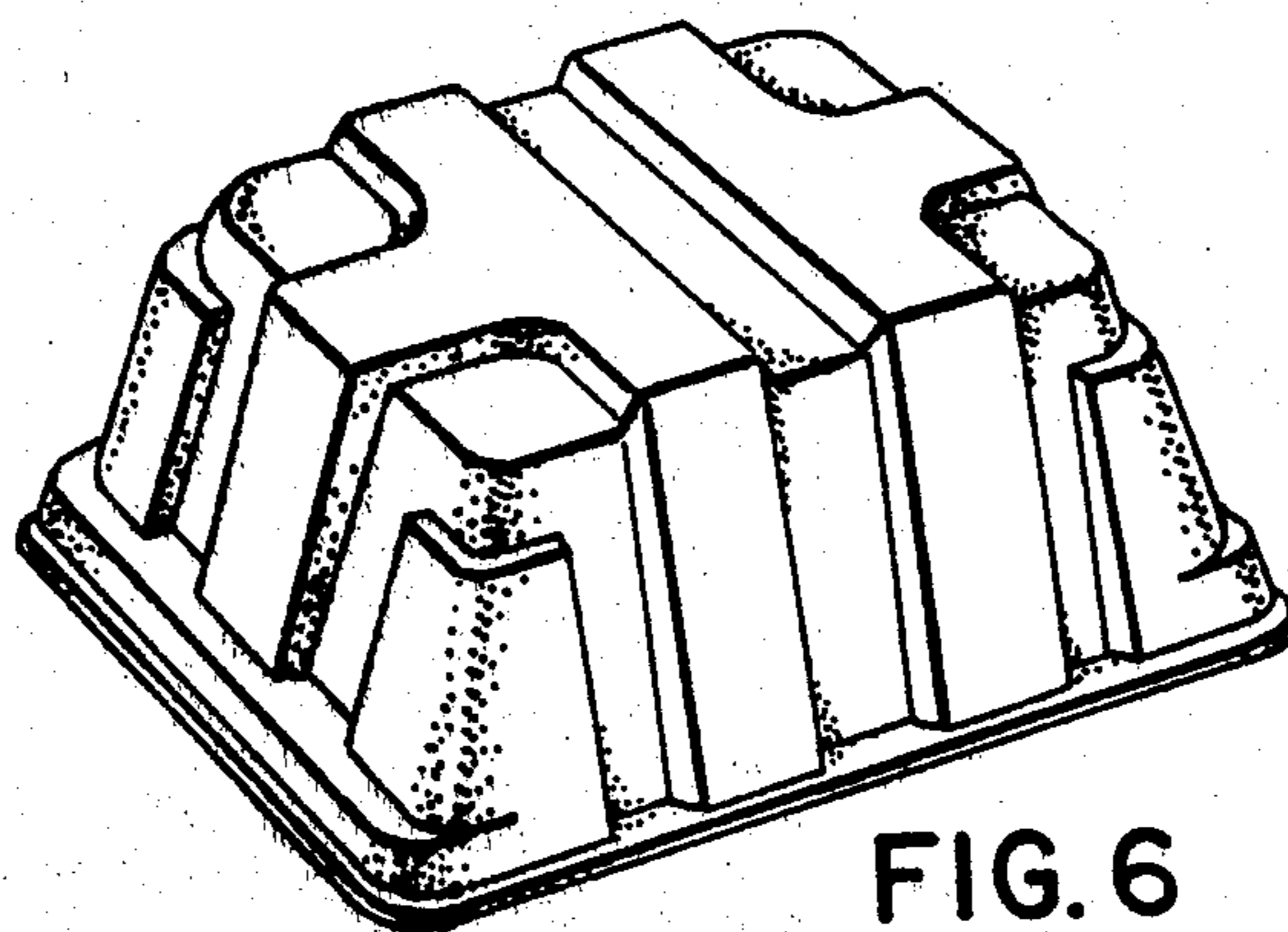


FIG. 6

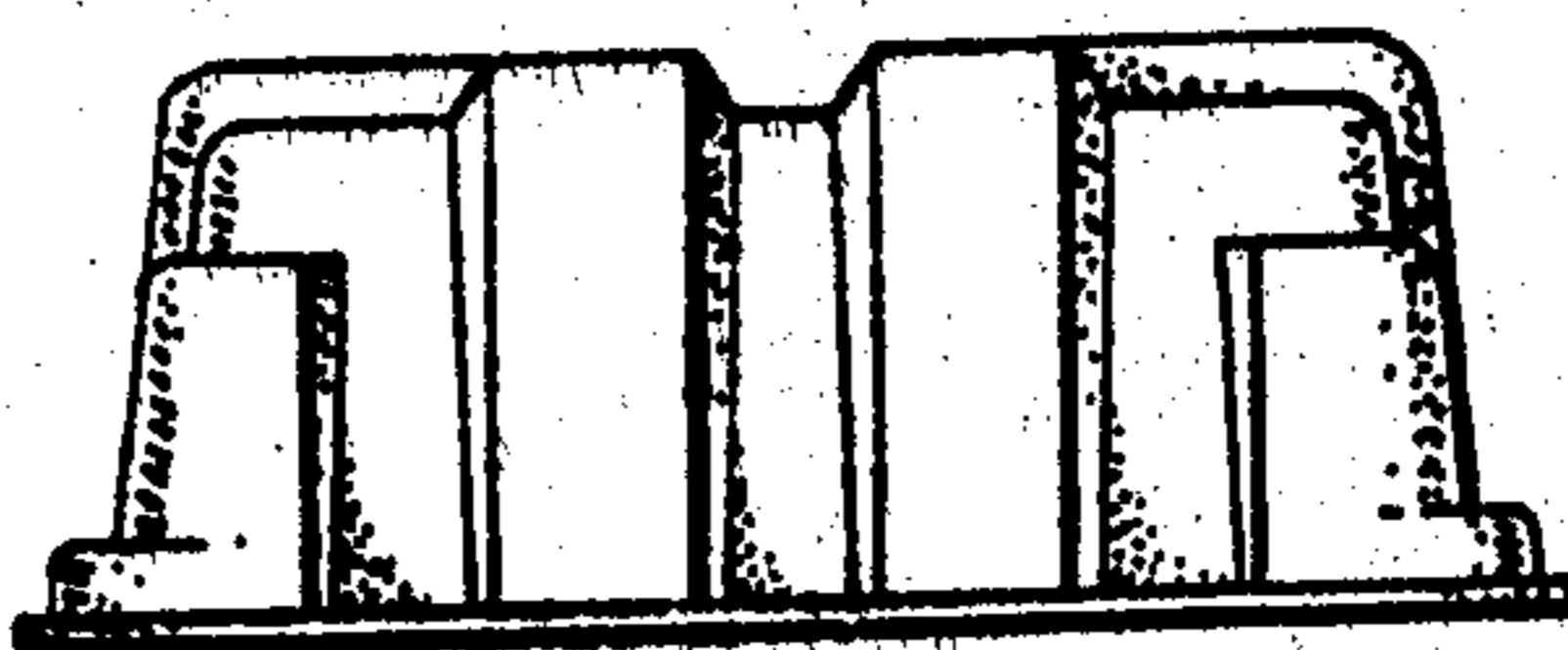


FIG. 7

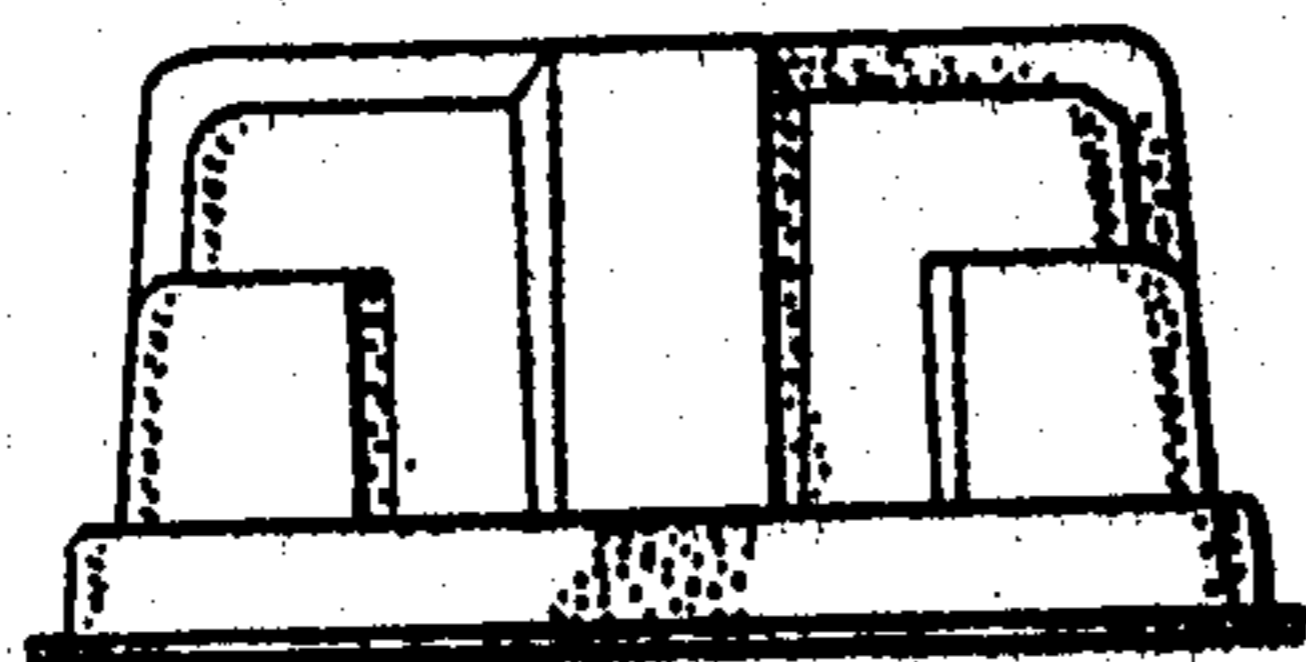


FIG. 8

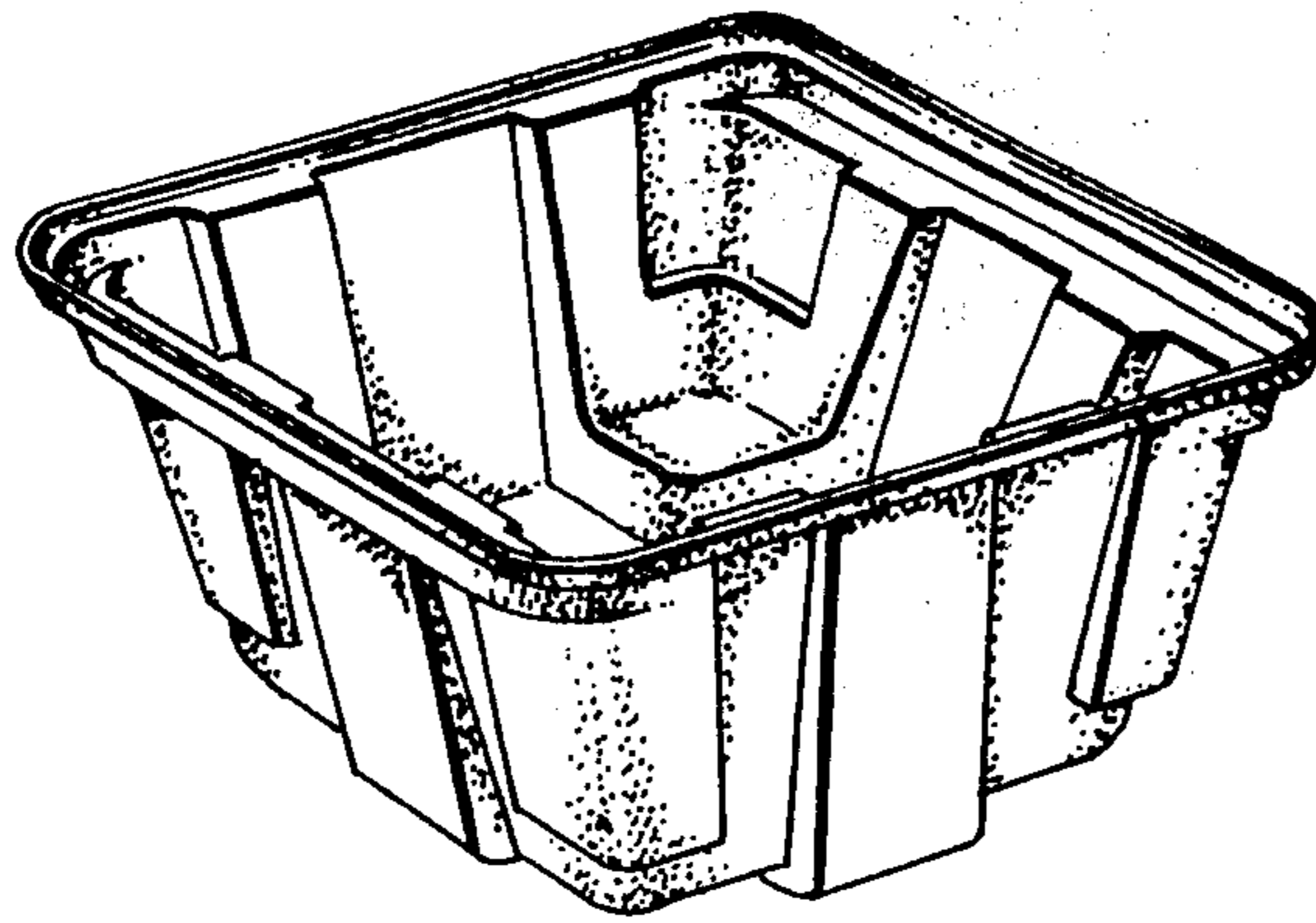


FIG. 9

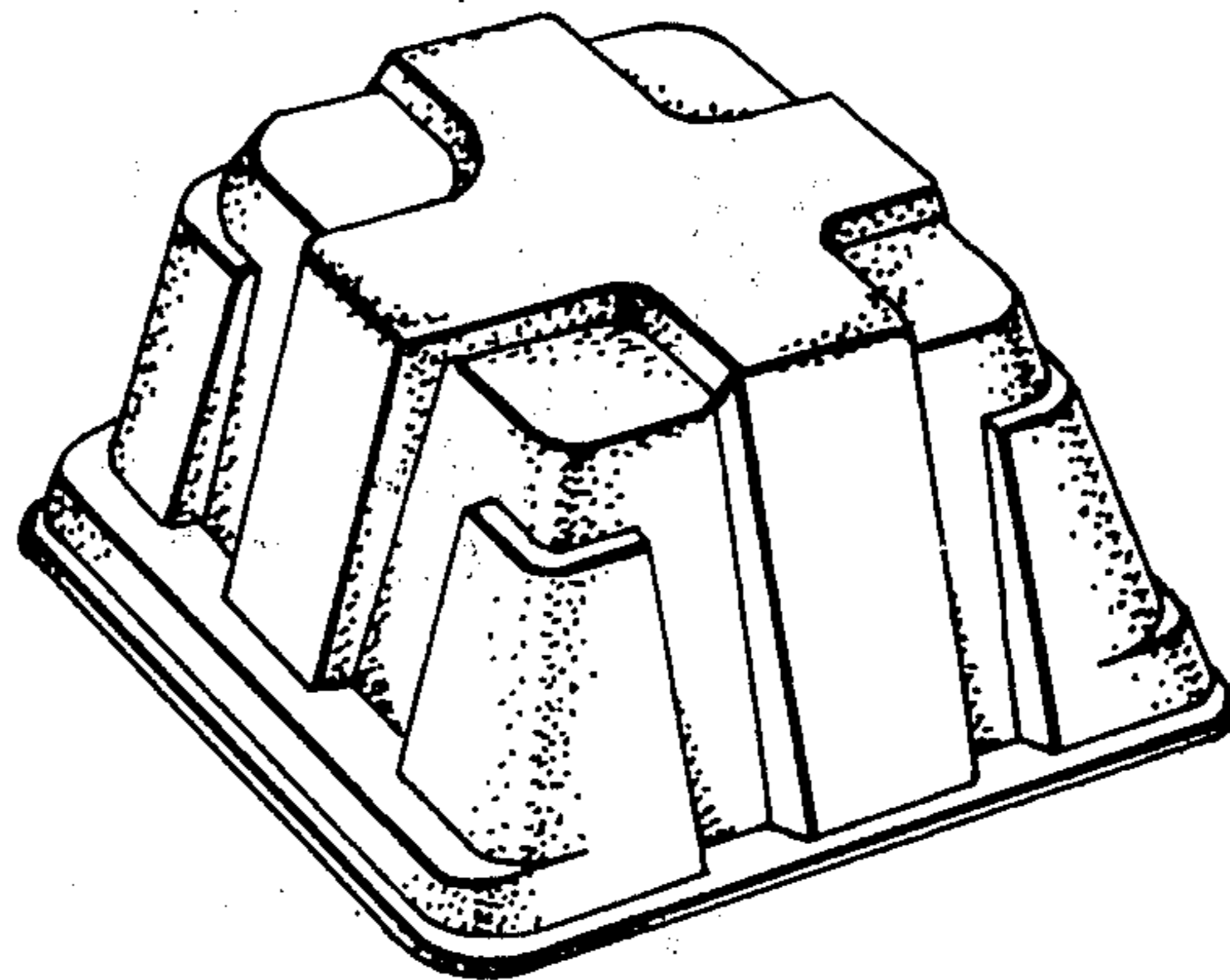


FIG. 10

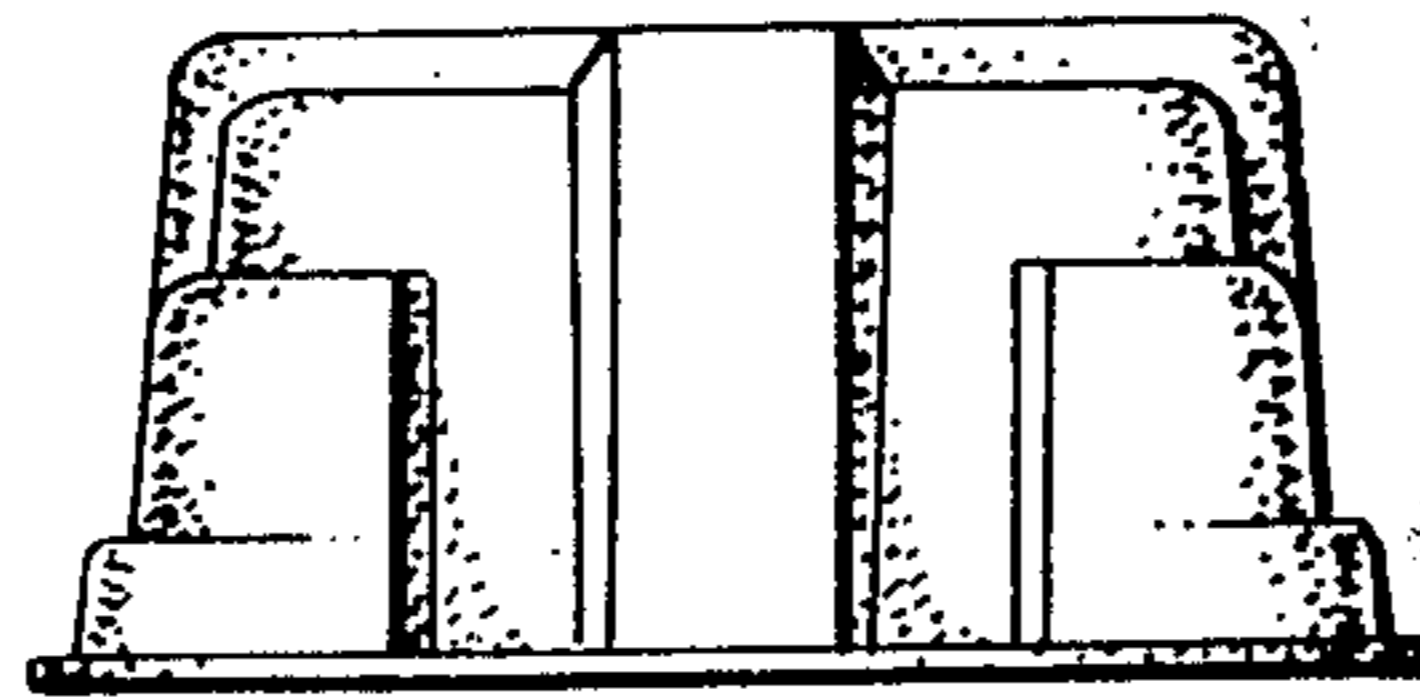


FIG. 11