

[54] MICROWAVE EGG COOKER

3,915,532 10/1975 Ashton ..... D7/17 X

[75] Inventors: Robert F. Bowen, Burlington;  
Thomas J. Martel, North Reading,  
both of Mass.

[73] Assignee: Raytheon Company, Lexington,  
Mass.

[\*\*] Term: 14 Years

[21] Appl. No.: 385,962

[22] Filed: Jun. 7, 1982

[52] U.S. Cl. .... D7/360

[58] Field of Search ..... D7/354, 360, 357, 356,  
D7/402, 403, 388, 362, 363

OTHER PUBLICATIONS

*Best Products*, 1980 Buyer's Book, p. 261, item #19,  
Popcorn Popper/Casserole, Microwave Magic, "Nordic  
ware", base portion shown.

*West Bend*, suppl. to HFD., Sec. II, Jan. 16, 1978, p. 3,  
item F, far lower right, automatic egg cooker #5820.

*Primary Examiner*—Winifred E. Herrmann

*Attorney, Agent, or Firm*—William R. Clark; Joseph D.  
Pannone

CLAIM

[57] The ornamental design for a microwave egg cooker, as  
shown.

DESCRIPTION

FIG. 1 is a top, front perspective view of a microwave  
egg cooker showing our new design;

FIG. 2 is a top plan view thereof;

FIG. 3 is a front or rear elevational view thereof; and

FIG. 4 is a bottom plan view thereof.

[56] References Cited

U.S. PATENT DOCUMENTS

D. 90,608	8/1933	Willman	.....	D7/17
D. 216,213	12/1969	Mann	.....	D7/360
D. 273,168	3/1984	Bowen et al.	.....	D7/354
2,807,701	9/1957	Conlin et al.	.....	D7/357 X

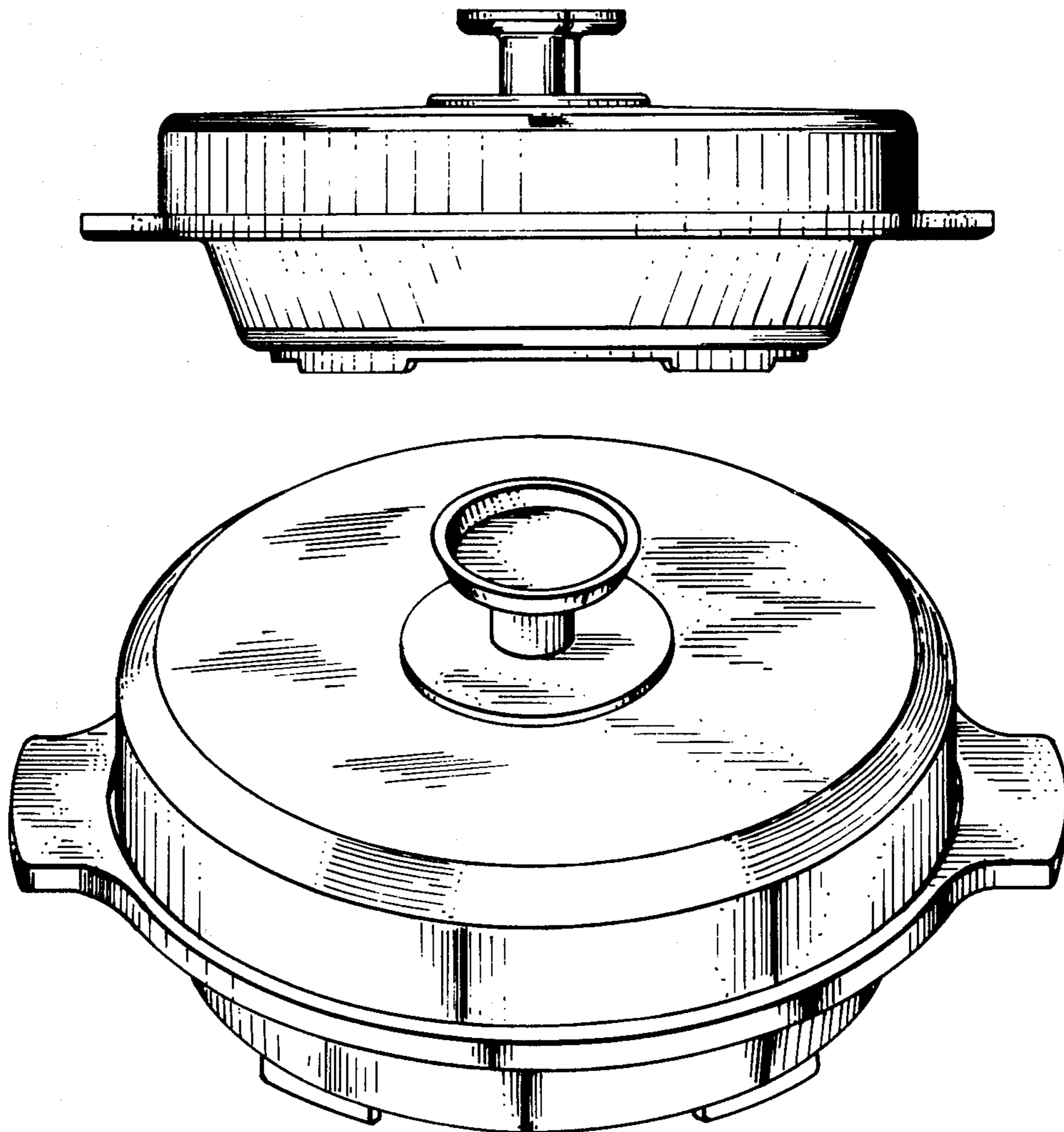


FIG. 1

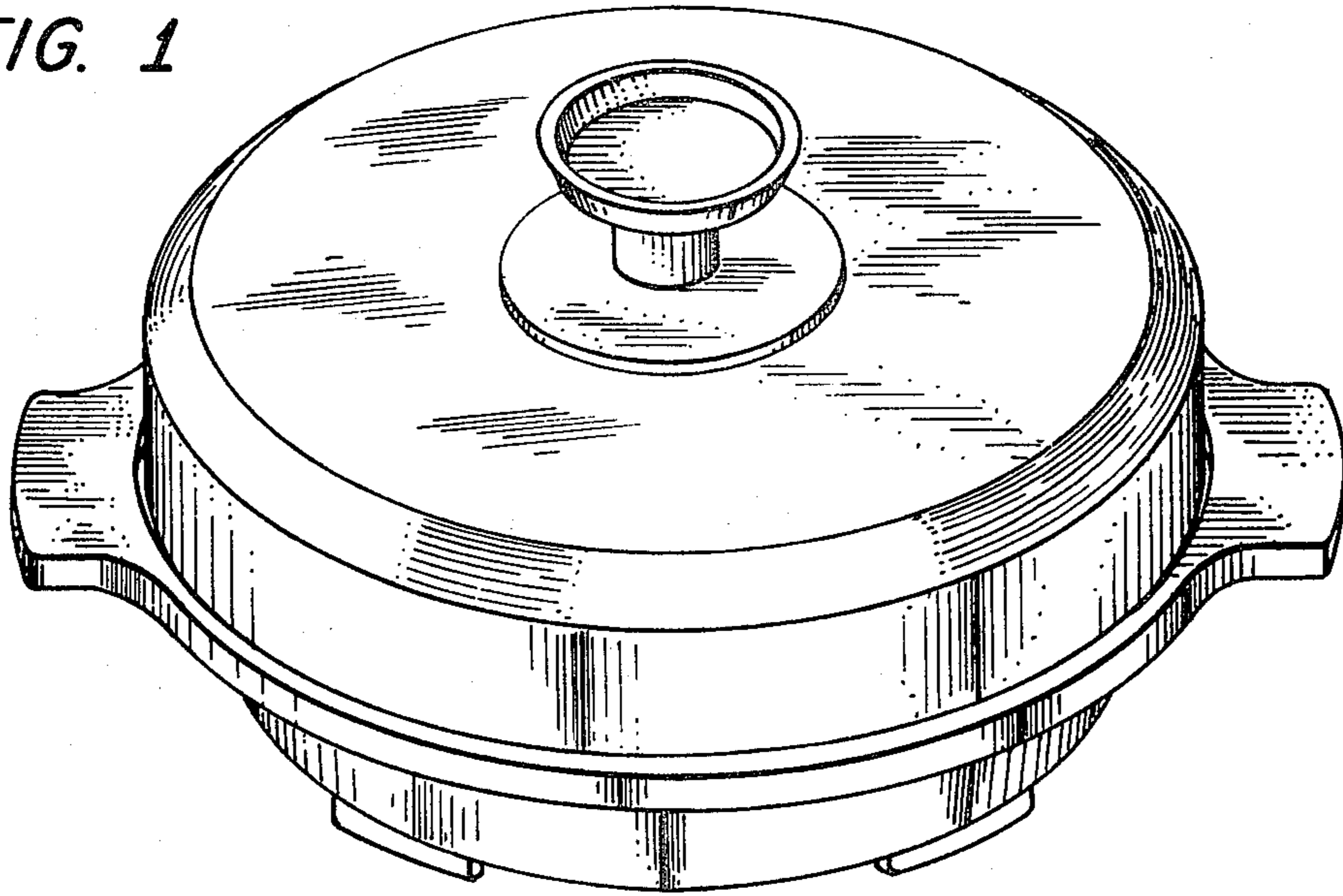


FIG. 2

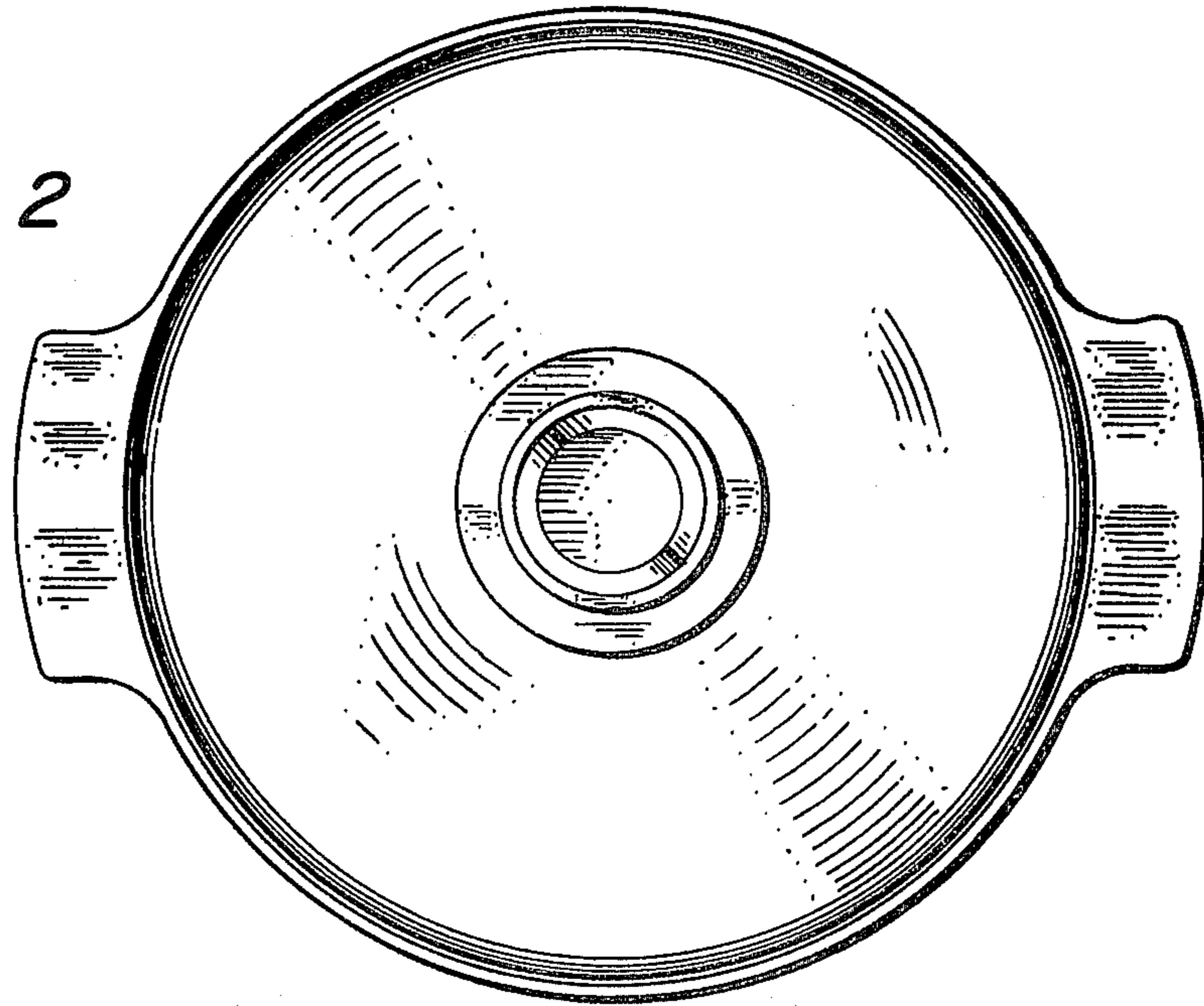


FIG. 3

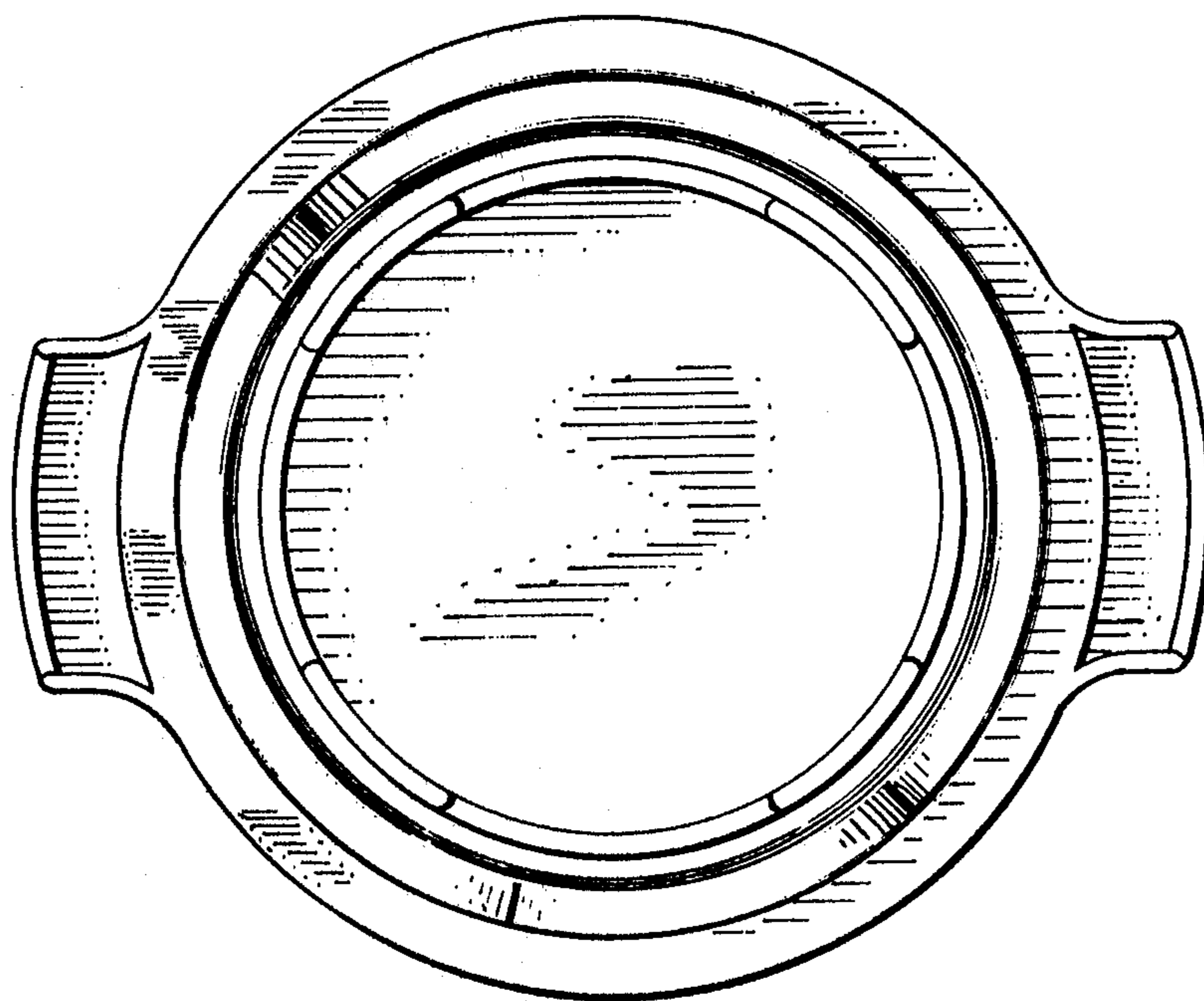
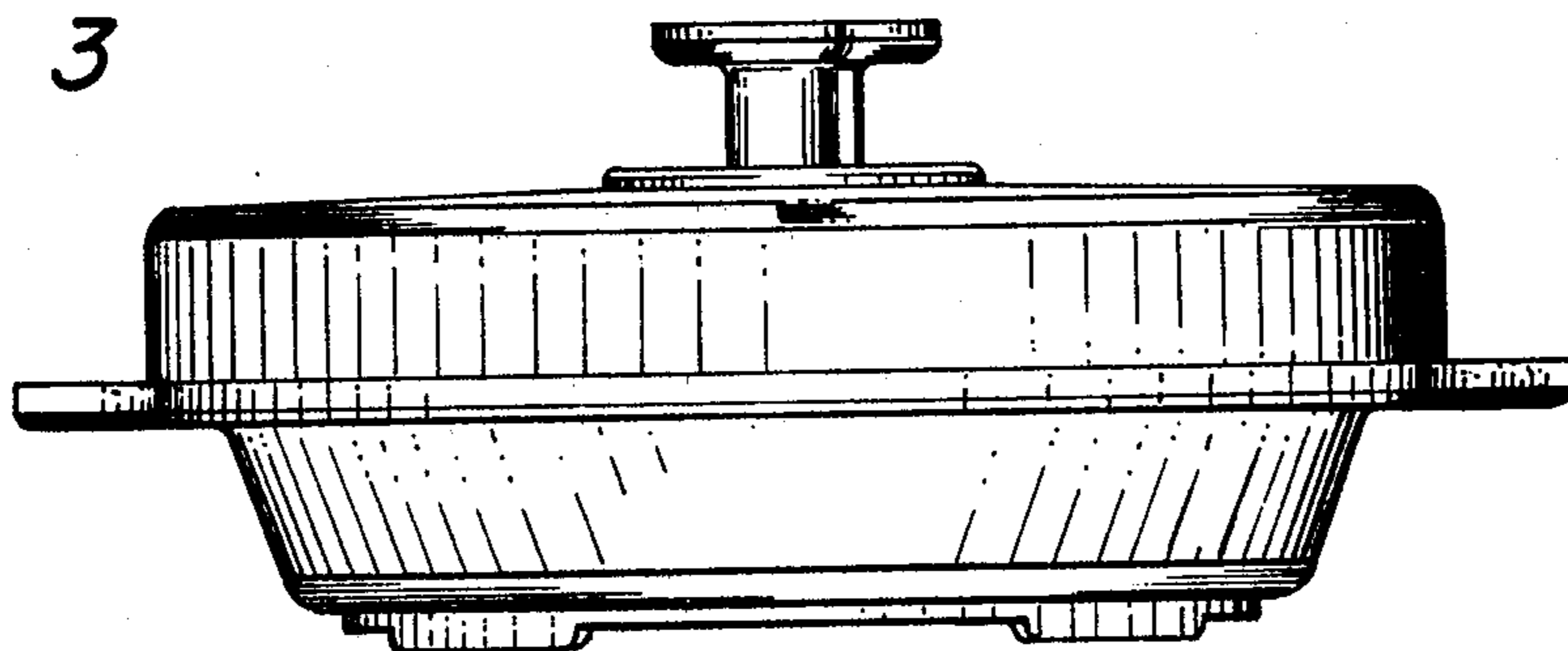


FIG. 4