

[54] CARRYING TRAY FOR DINING TABLE SET-UP NEEDS

[76] Inventor: Evangelos Koustis, 27150 Lakeshore, Euclid, Ohio 44132

[**] Term: 14 Years

[21] Appl. No.: 297,939

[22] Filed: Aug. 31, 1981

[52] U.S. Cl. D7/74; D3/73; D3/74; D7/38; D7/75; D7/76; D34/45

[58] Field of Search D7/73, 21, 74, 38, 71, D7/76, 75; D3/30.1, 73, 74, 75, 40; D34/40, 43, 44, 45, 46; D9/424, 347, 341

[56] References Cited

U.S. PATENT DOCUMENTS

D. 49,875	11/1916	Aulicino et al.	D7/75
D. 59,713	11/1921	Clark	D7/73
D. 196,989	11/1963	Page	D7/73
D. 199,498	11/1964	MacKay et al.	D7/76
D. 208,217	8/1967	Castloo	D3/40

OTHER PUBLICATIONS

Housewares Review, 6-1960, p. 86, Plas-Tex Corp., All-Purpose Caddy, 3 bins on mobile rack.

Yield House, 1971 Spring Cat., p. 37, item #15, Condi-ment Tote 15321, finger hole for easy toting, top right.

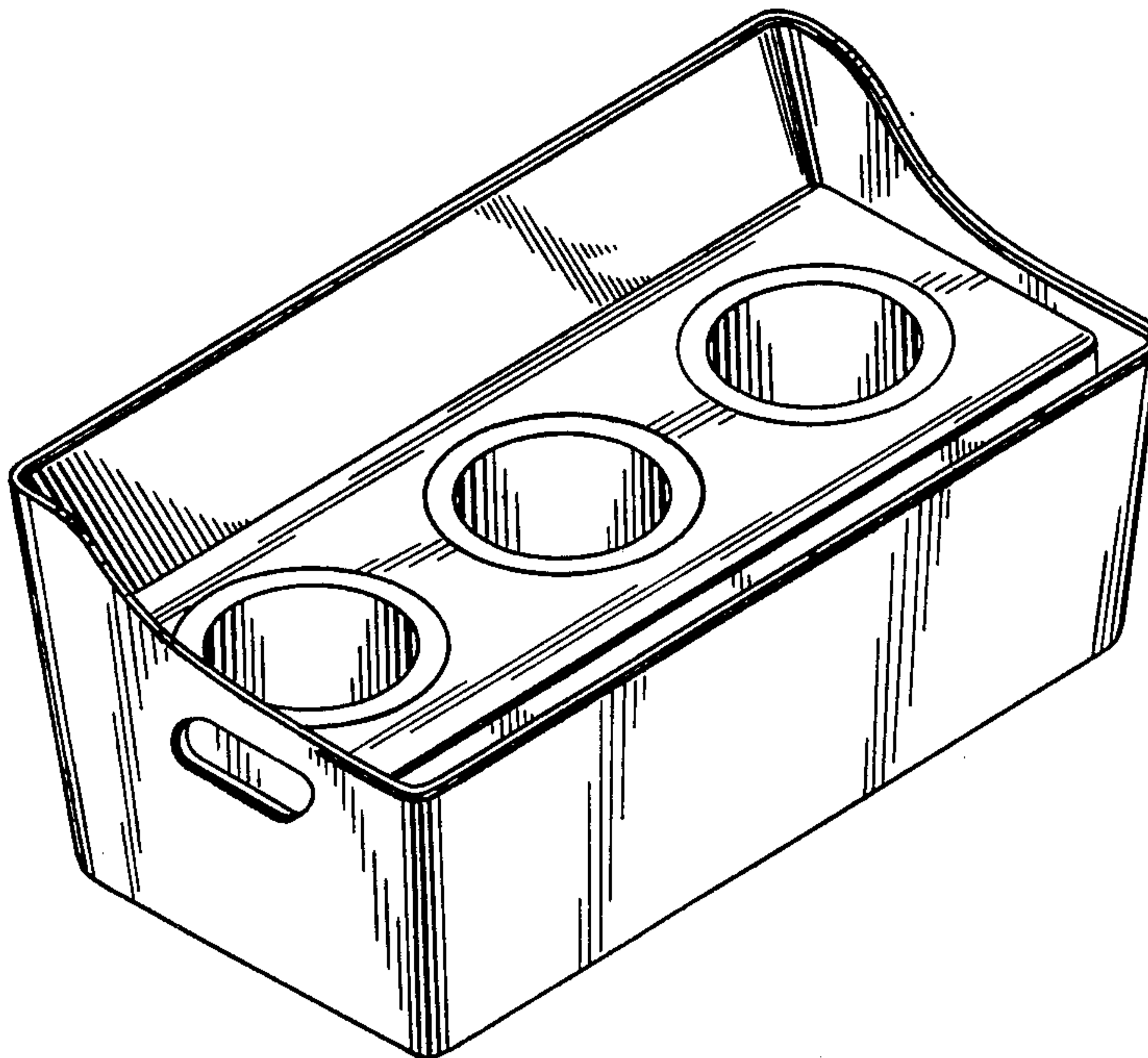
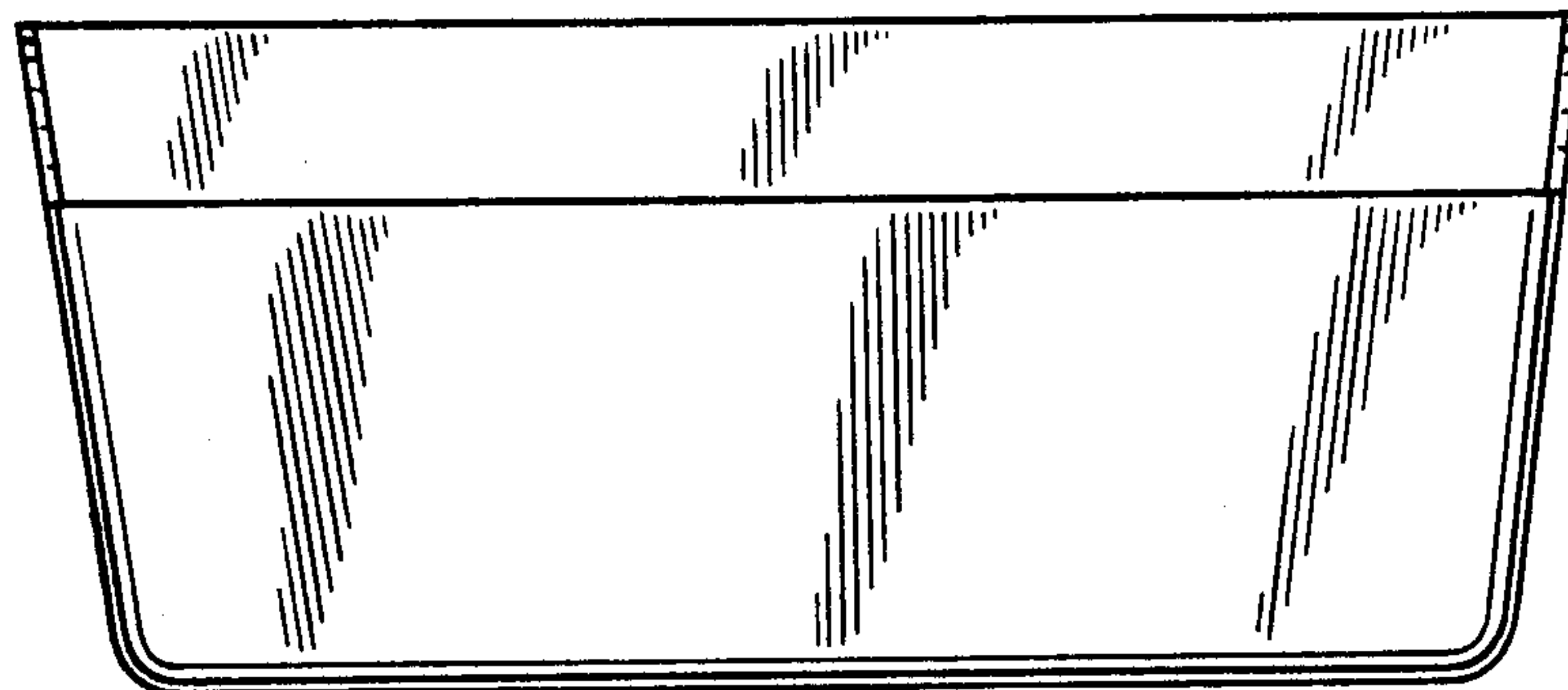
Primary Examiner—Winifred E. Herrmann
Attorney, Agent, or Firm—Vytas R. Matas

[57] CLAIM

The ornamental design for a carrying tray for dining table set-up needs, as shown and described.

DESCRIPTION

FIG. 1 is a top plan view of a carrying tray for dining table set-up needs showing my new design; FIG. 2 is a front elevational view thereof; FIG. 3 is a rear elevational view thereof; FIG. 4 is a left side elevational view thereof, the right side elevational view being a mirror image thereof; FIG. 5 is a bottom plan view thereof; and FIG. 6 is a top front perspective view thereof.



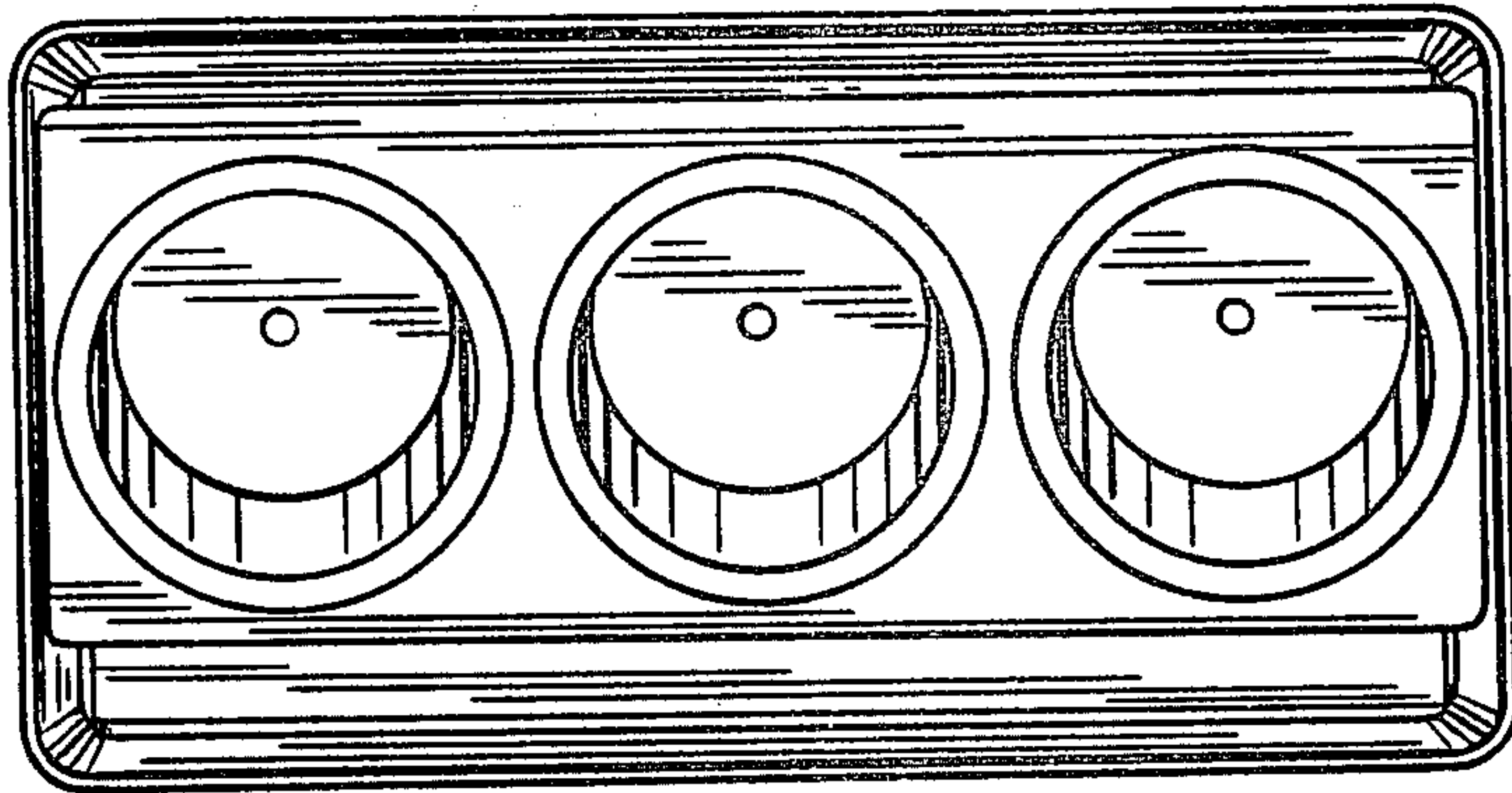


FIG. 1

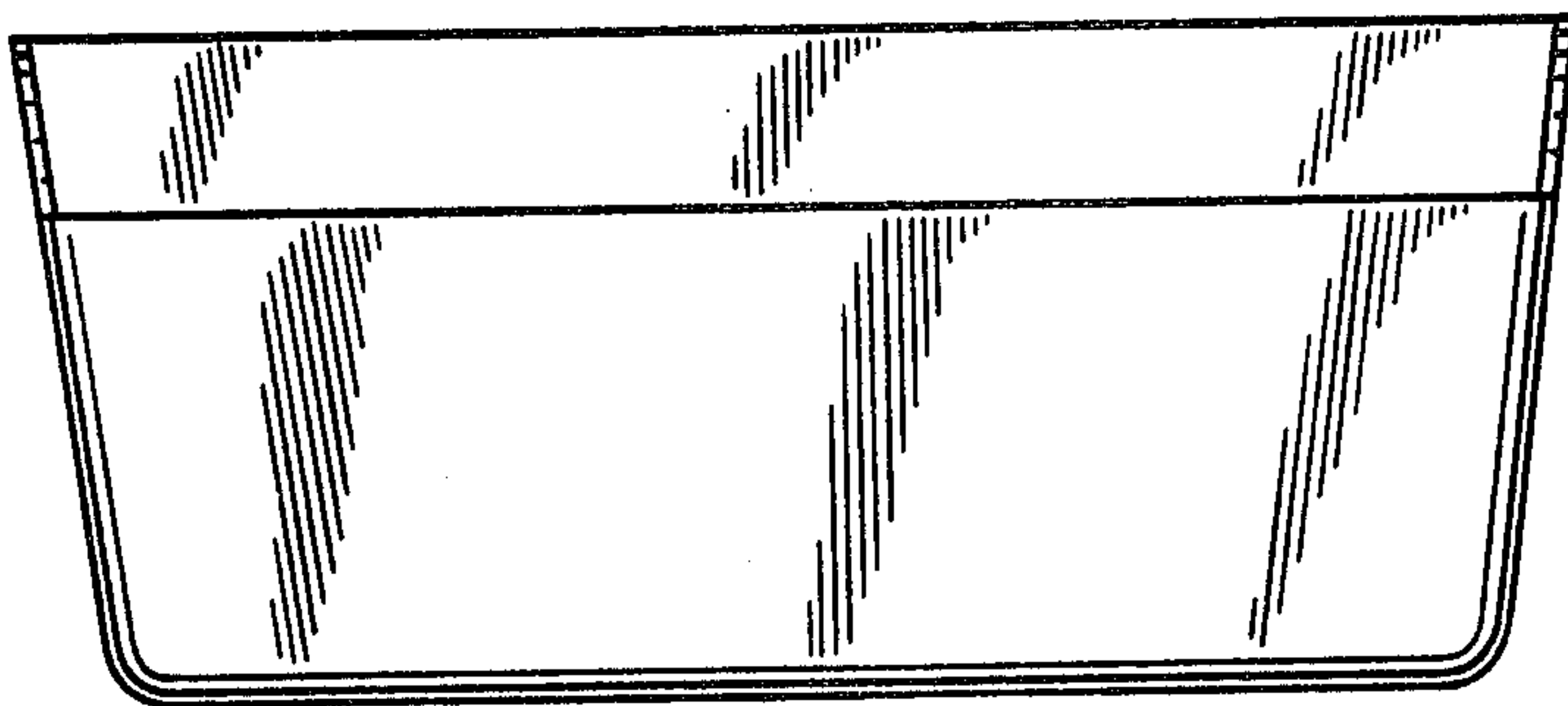


FIG. 2

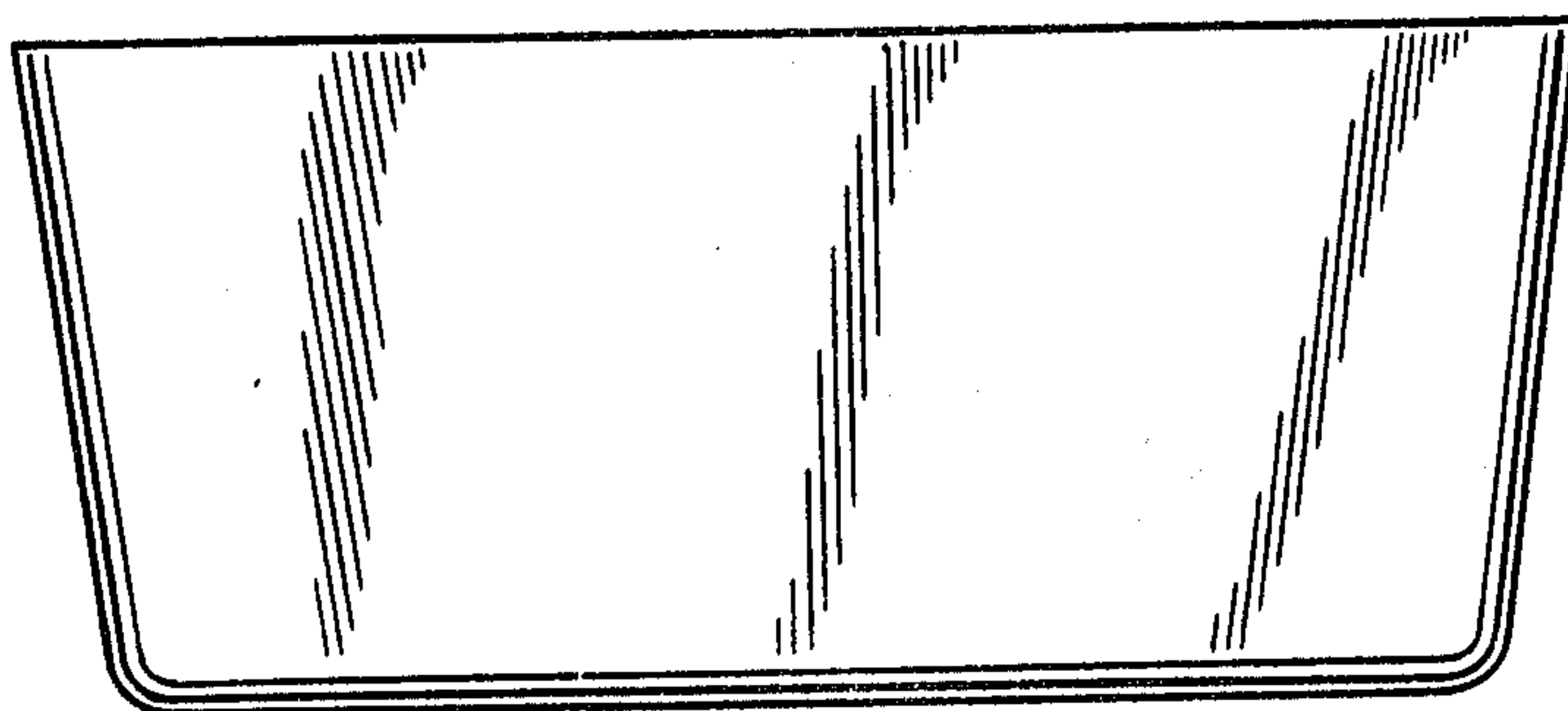


FIG. 3

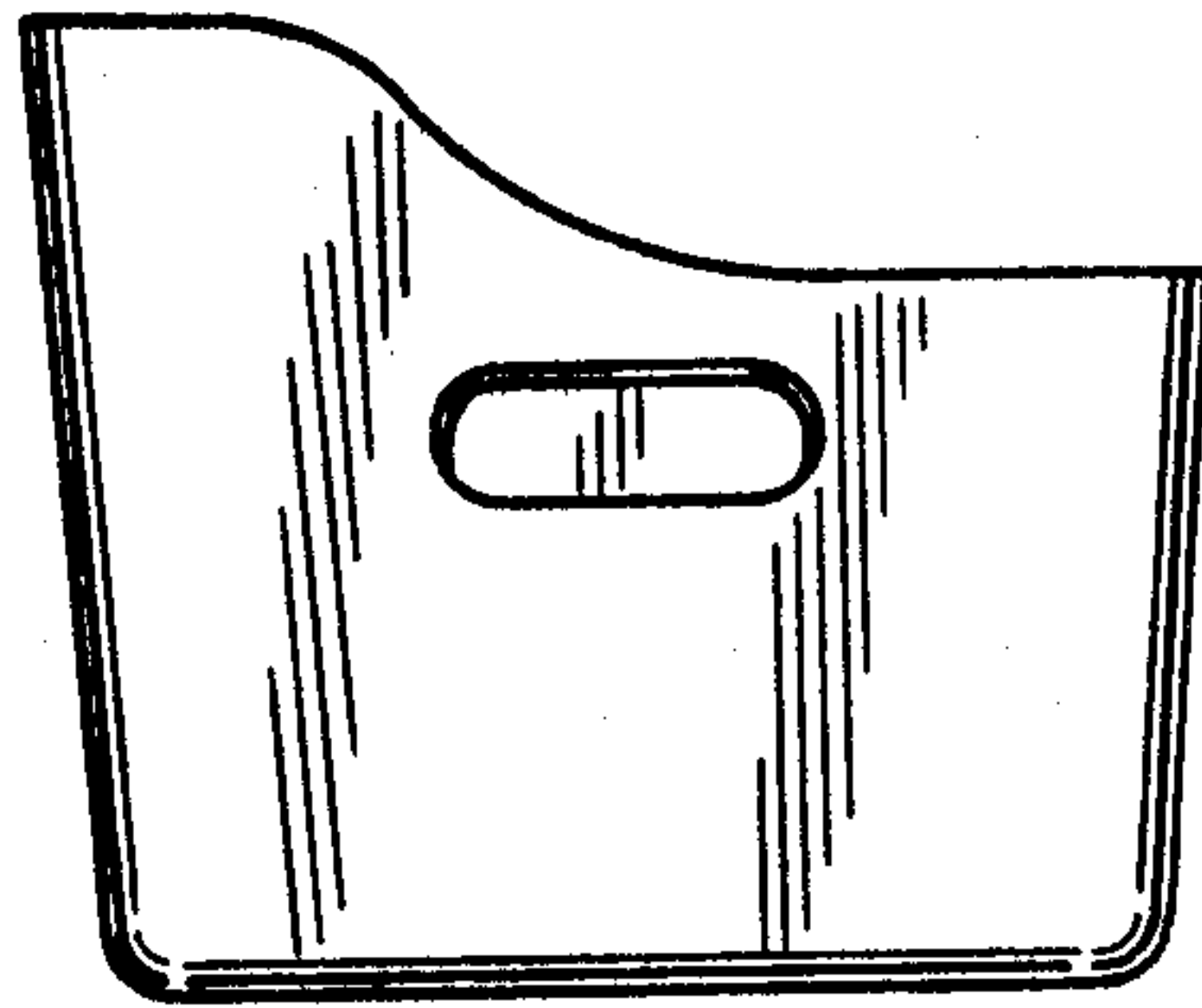


FIG. 4

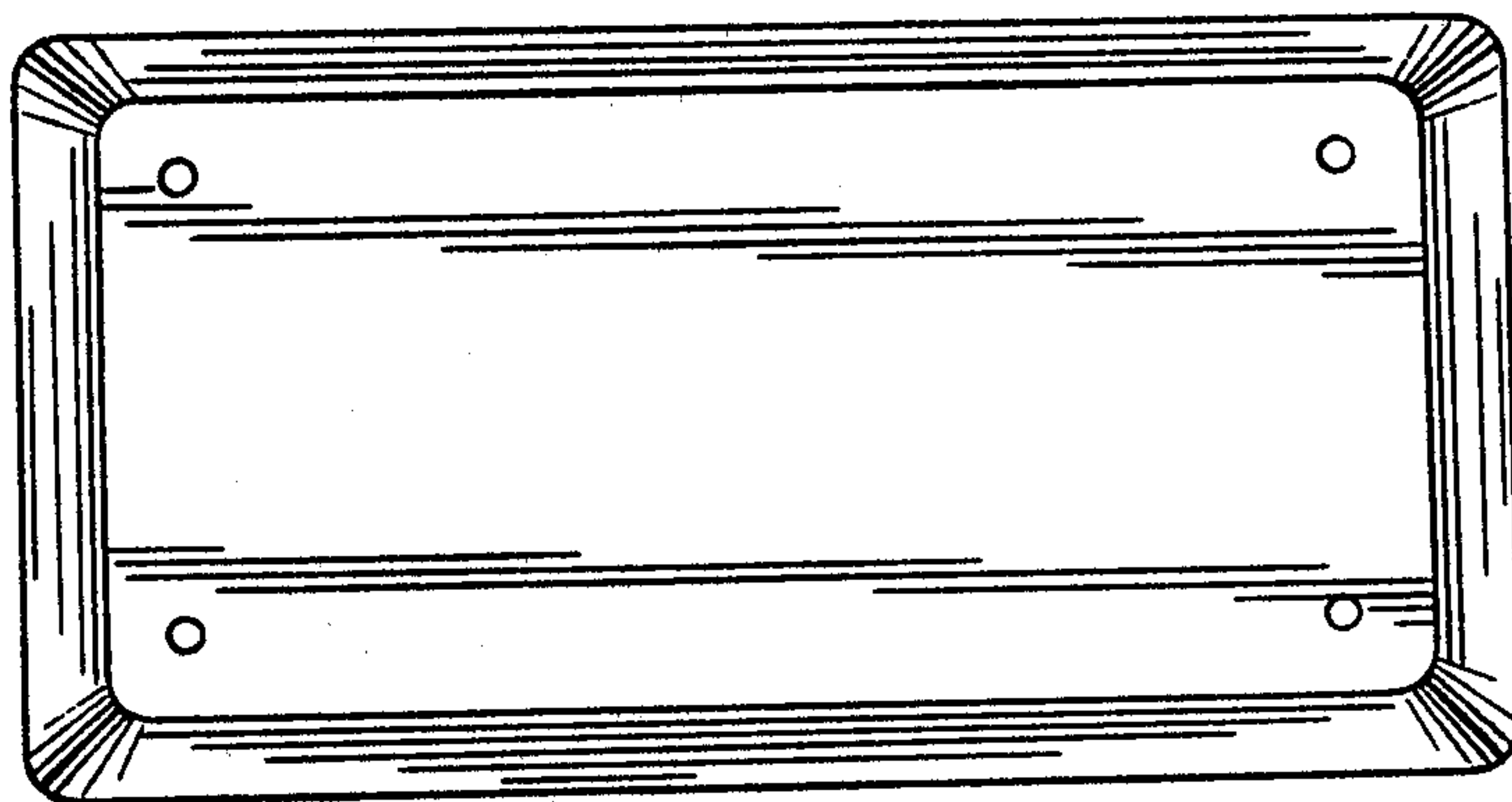


FIG. 5

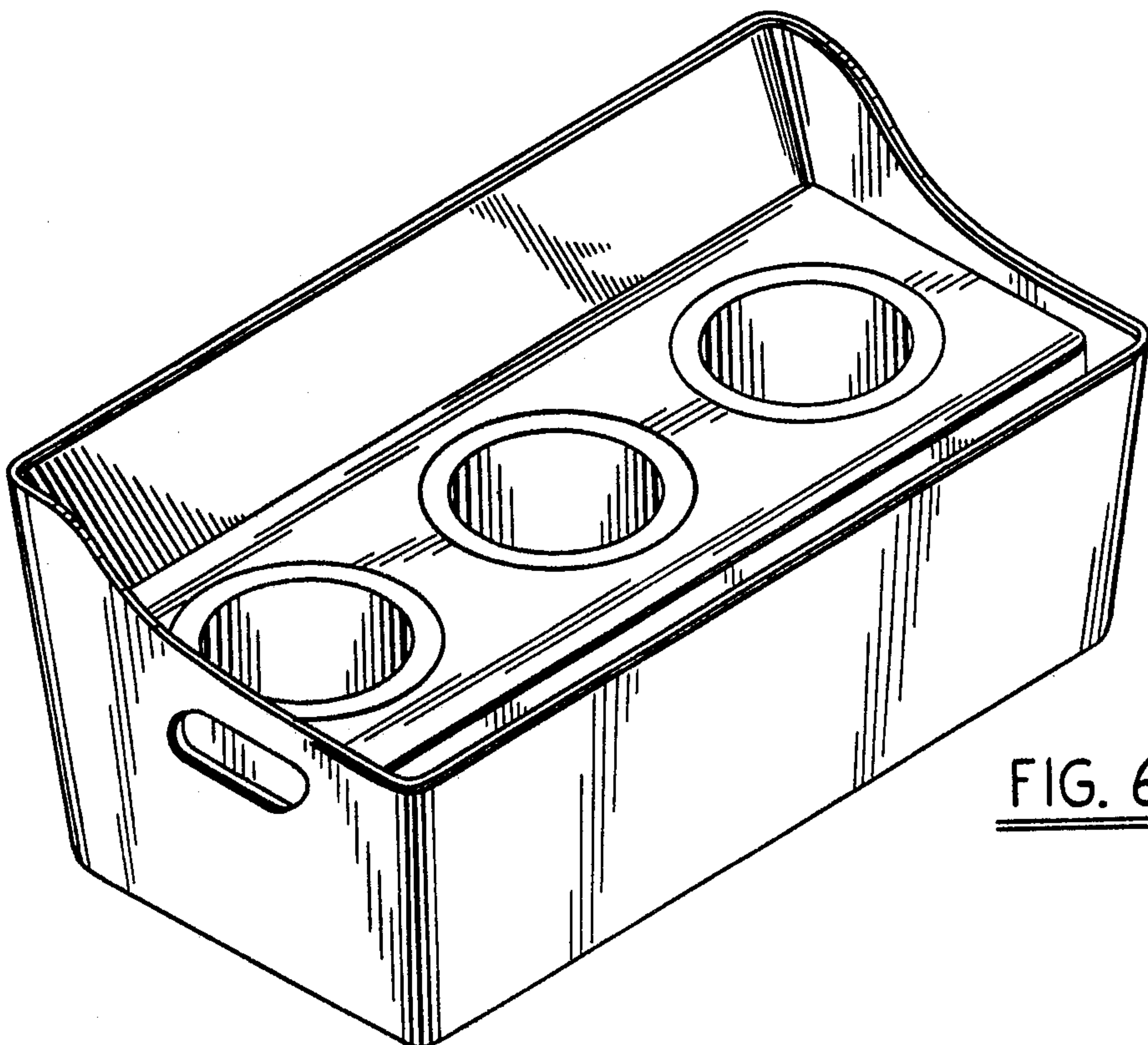


FIG. 6