

[54] COMBINED EUTECTIC PACK AND FOOD TRAY COVER

[75] Inventors: Anthony C. Mack, North Reading, Mass.; David Shore, Atkinson, N.H.

[73] Assignee: Sweetheart Plastics, Inc., Wilmington, Mass.

[**] Term: 14 Years

[21] Appl. No.: 367,403

[22] Filed: Apr. 12, 1982

[52] U.S. Cl. D7/40; D9/435

[58] Field of Search D7/40, 391, 16, 77; D9/435, 444; 62/530; 206/545; D24/43; D15/90

[56] References Cited

U.S. PATENT DOCUMENTS

- D. 220,381 4/1971 Buxton D9/435
- 2,501,983 3/1950 Zoia D7/40 X

OTHER PUBLICATIONS

Plassware, Plastics Inc., back cover, Item #93 Clear Cover-Free Form Shape.

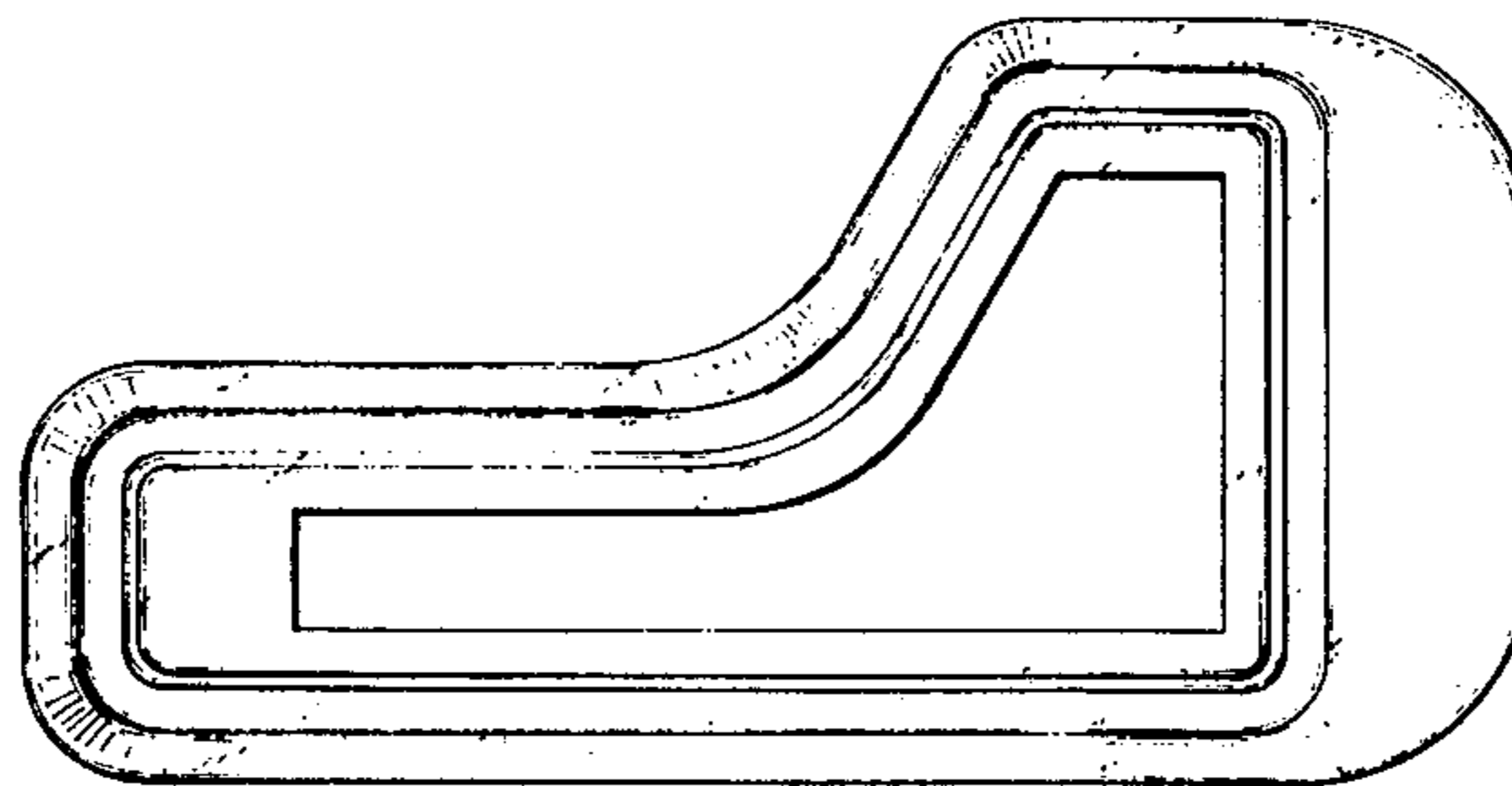
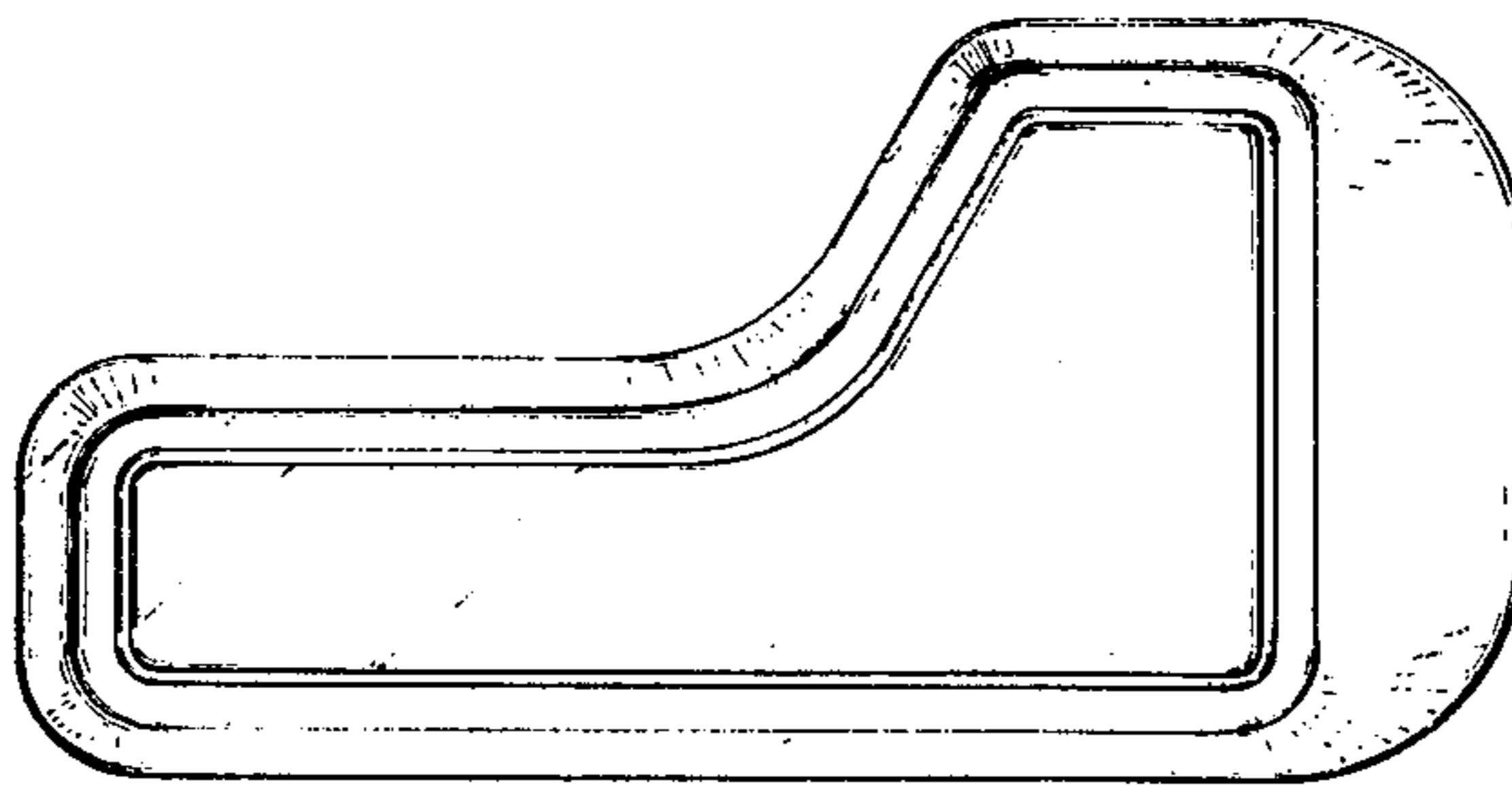
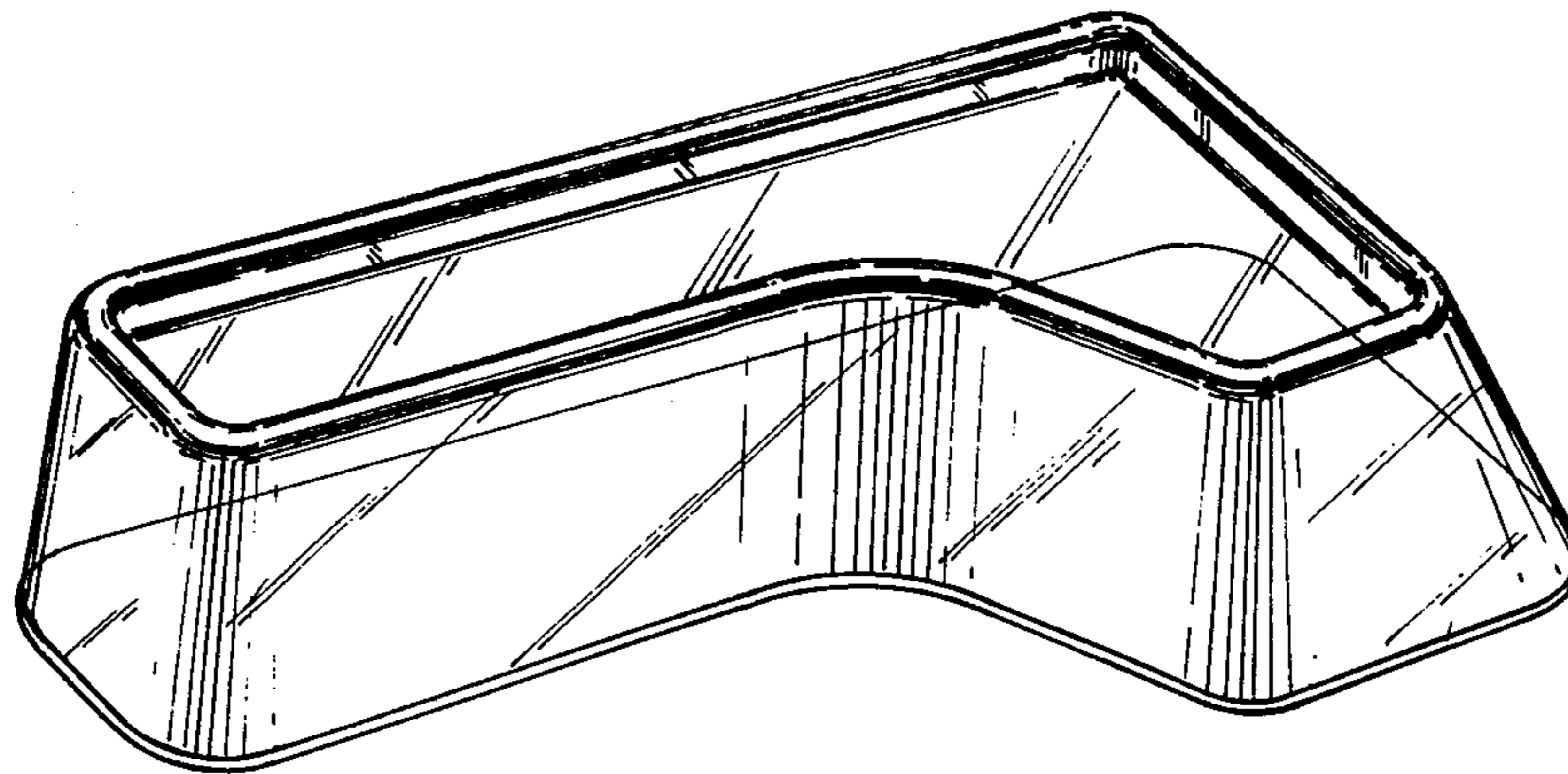
Primary Examiner—Winifred E. Herrmann
Attorney, Agent, or Firm—McDougall, Hersh & Scott

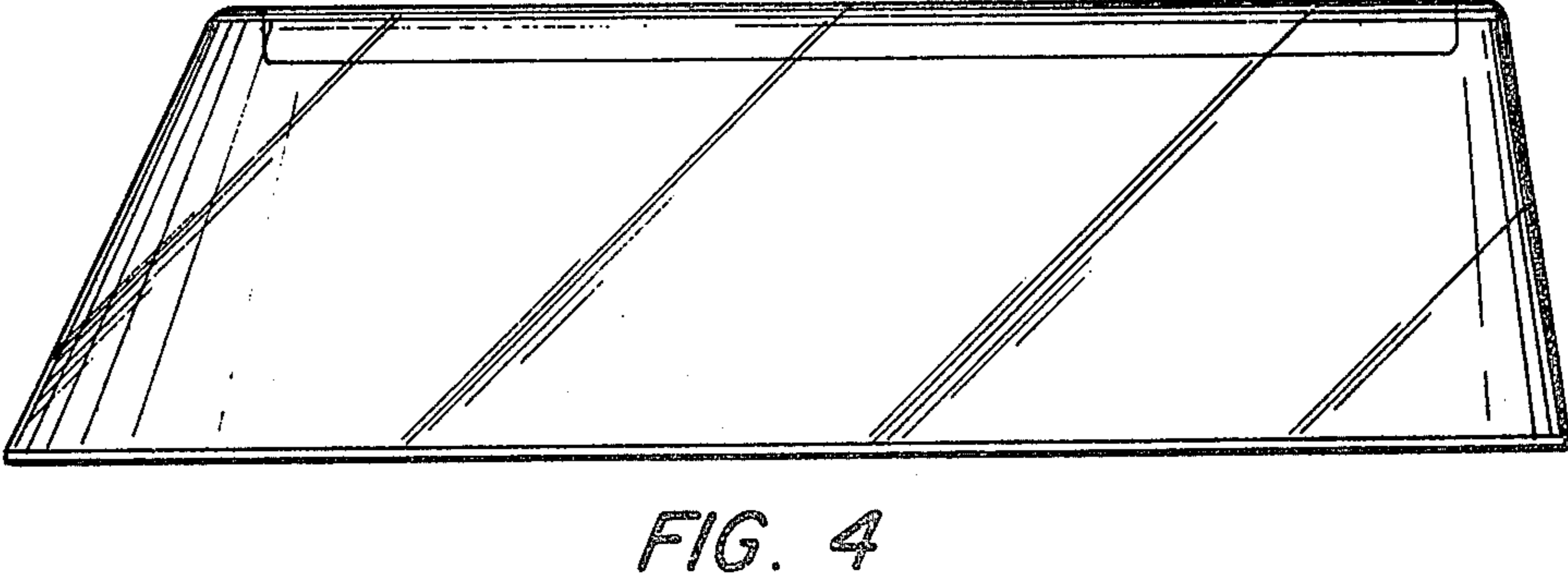
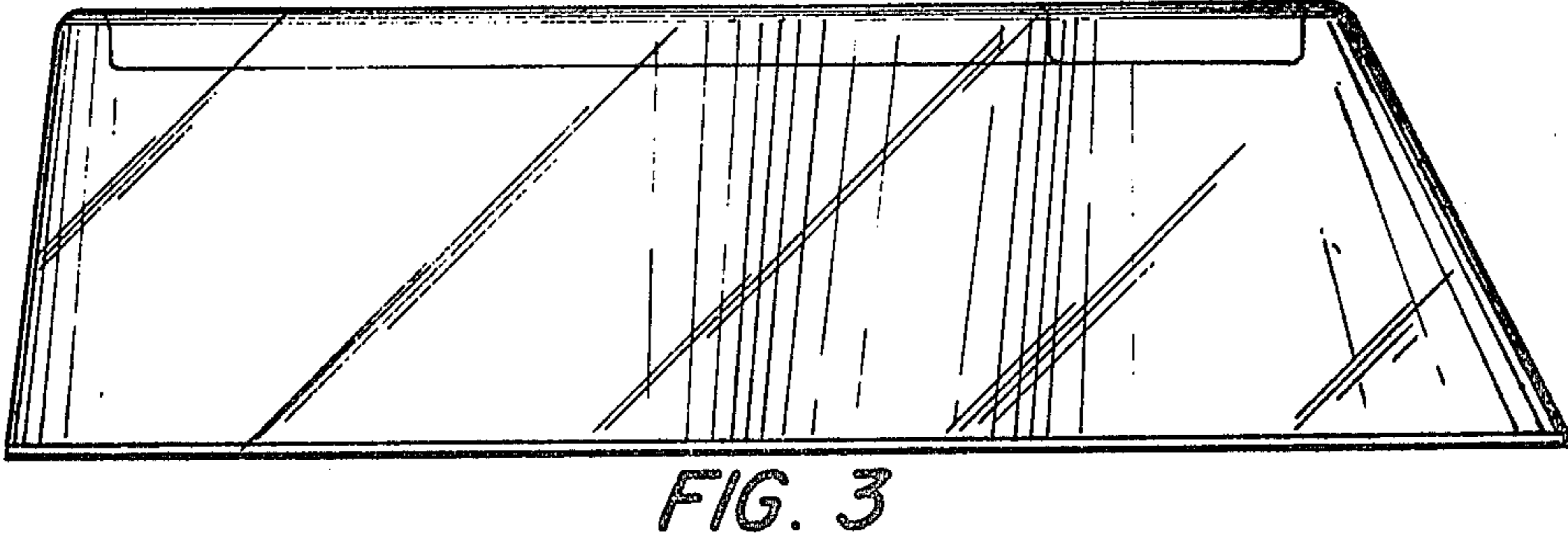
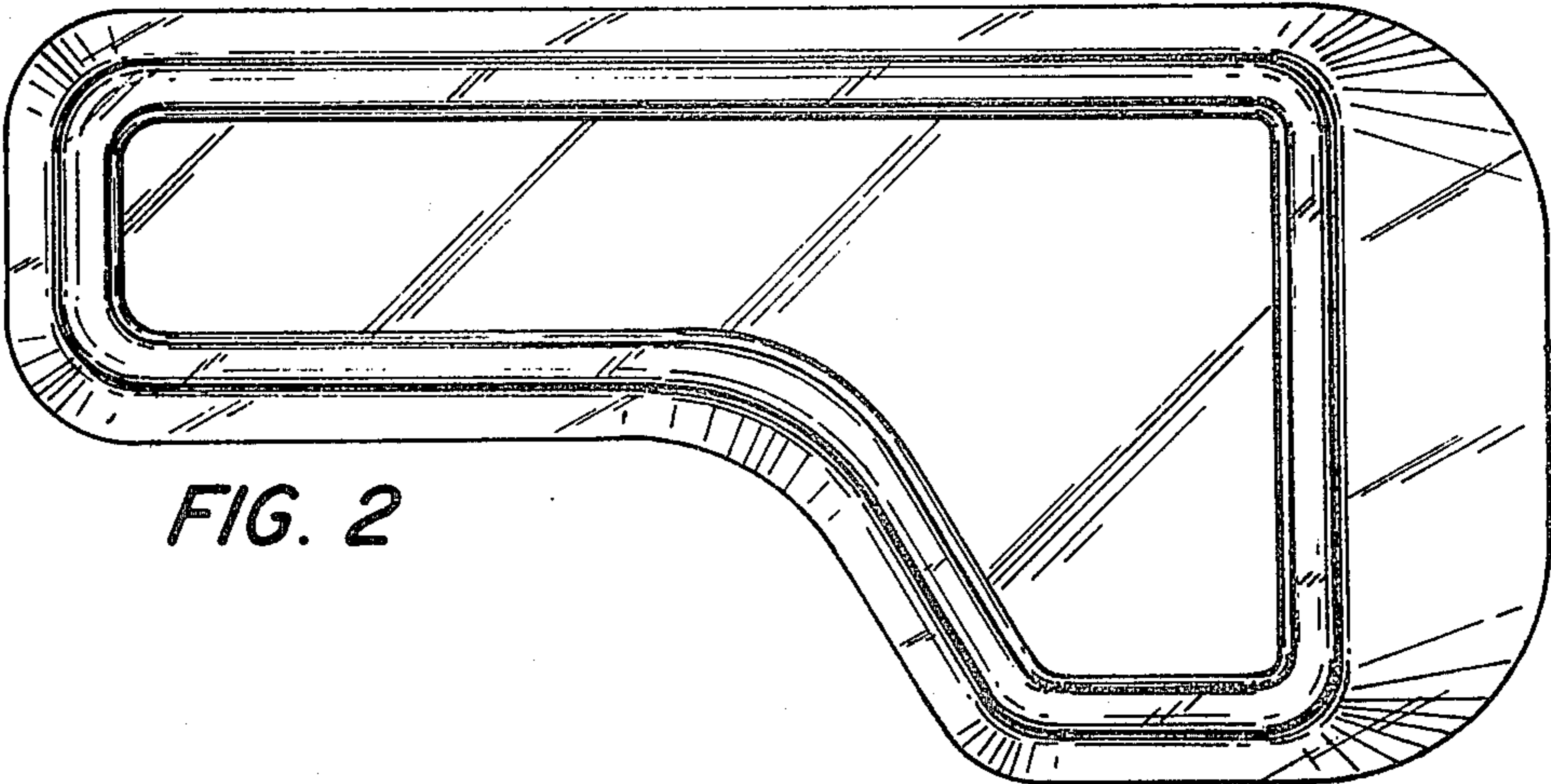
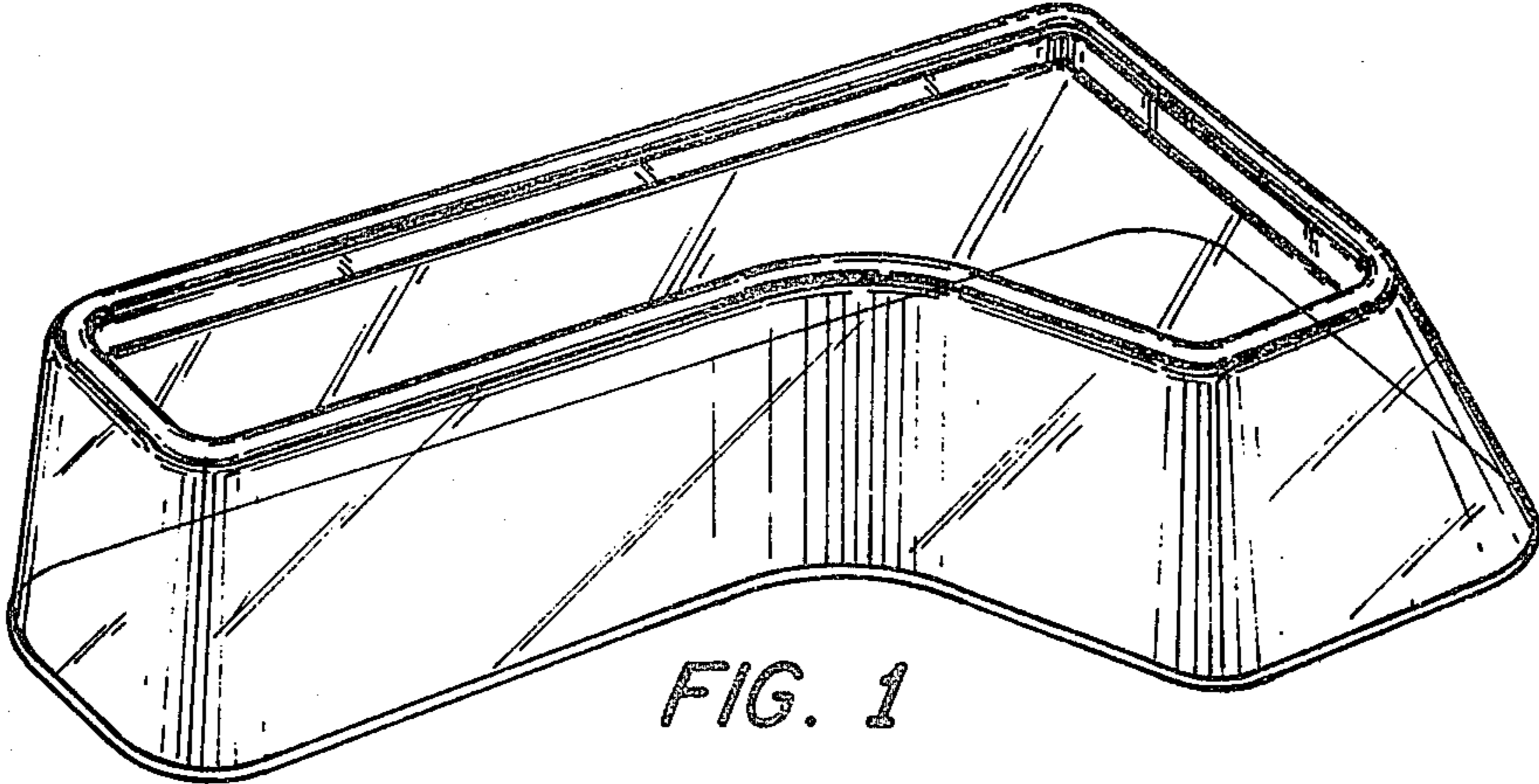
[57] CLAIM

The ornamental design for a combined eutectic pack and food tray cover, as shown and described.

DESCRIPTION

FIG. 1 is a top perspective view of a combined eutectic pack and food tray cover showing our new design; FIG. 2 is a top plan view thereof; FIG. 3 is a front elevational view thereof; FIG. 4 is a back elevational view thereof; FIG. 5 is a left side elevational view thereof; FIG. 6 is a right side elevational view thereof; FIG. 7 is a bottom plan view thereof; and FIG. 8 is a bottom plan view of our new design showing a modification wherein the top recessed area has an aperture therein.





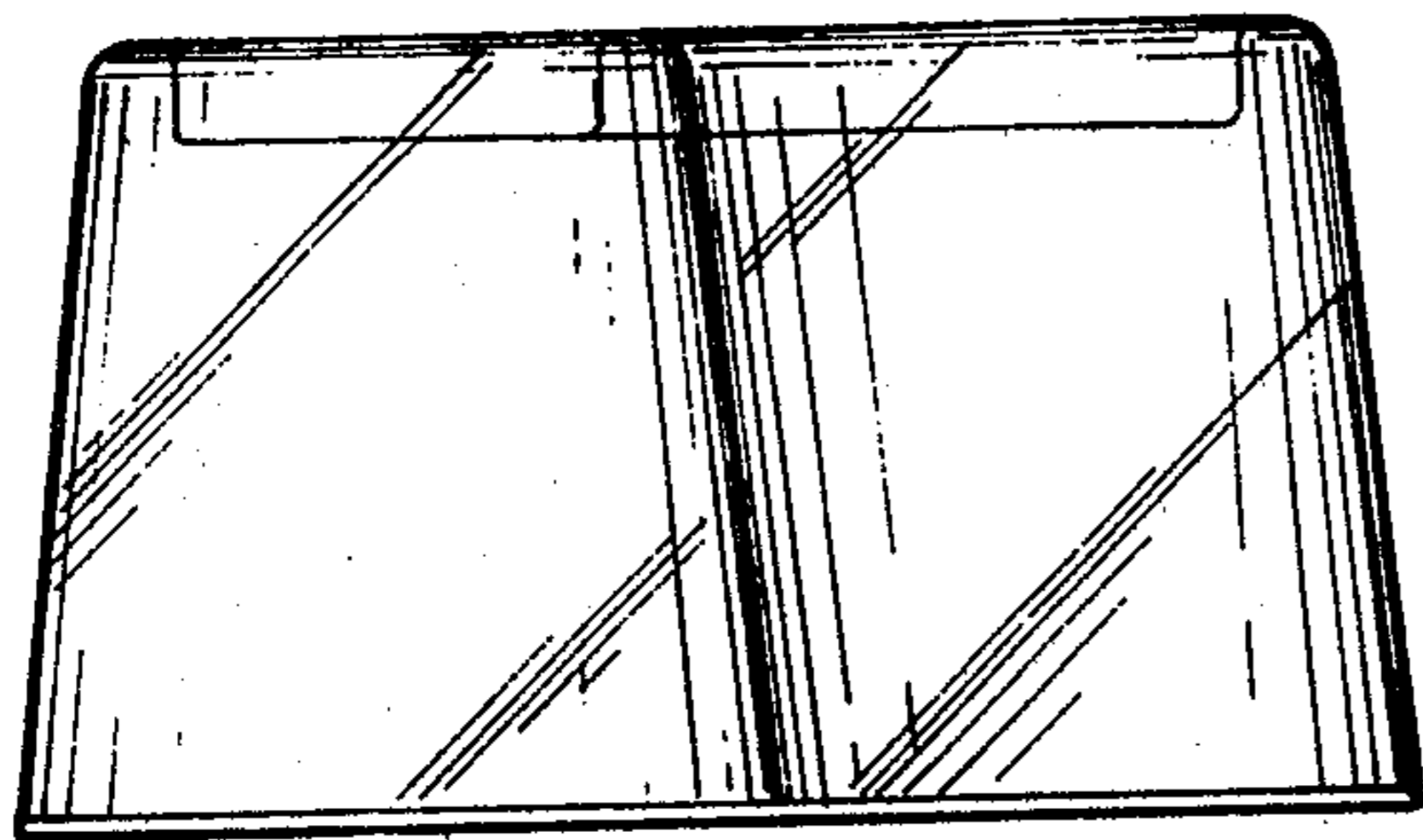


FIG. 5

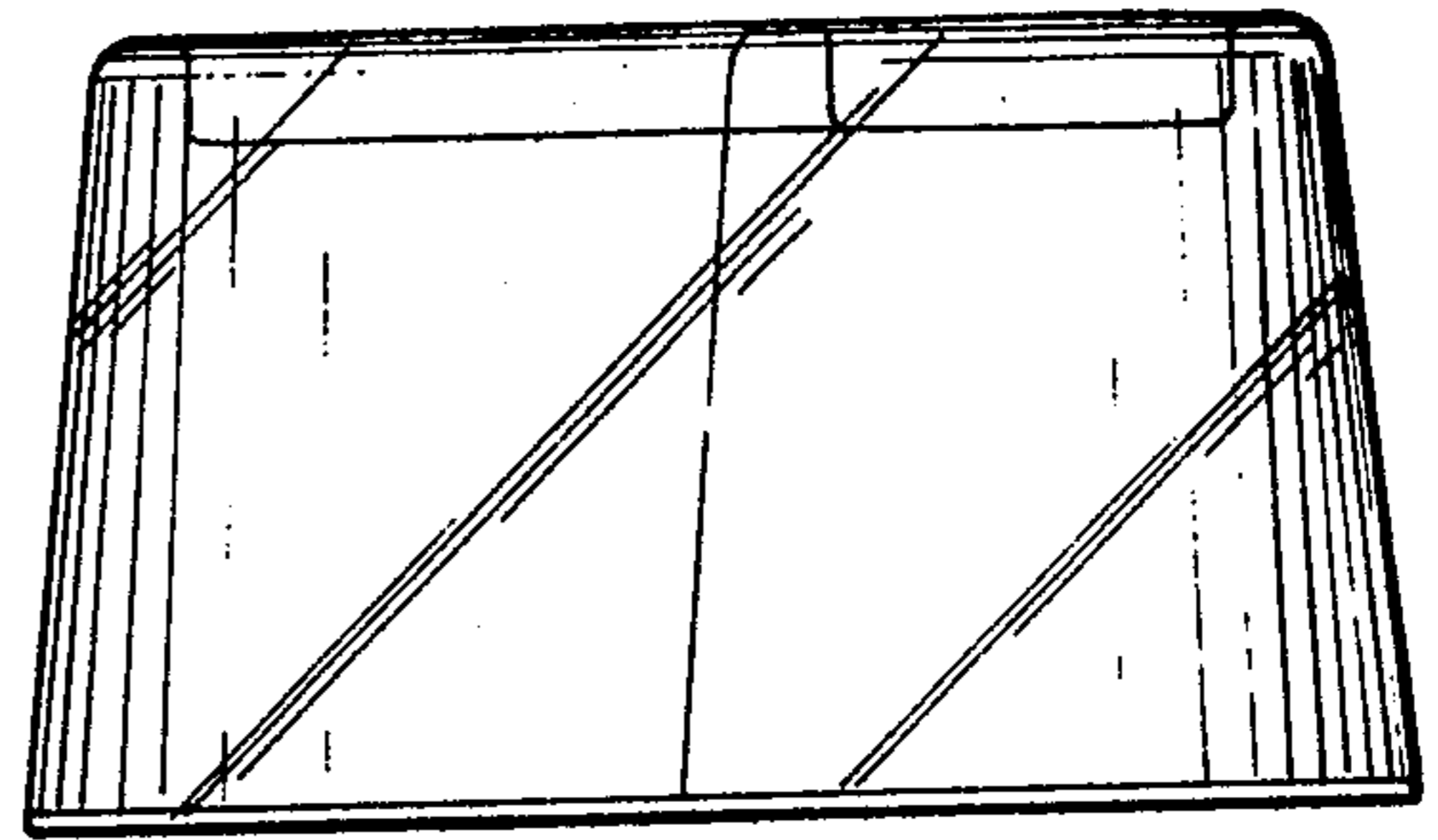


FIG. 6

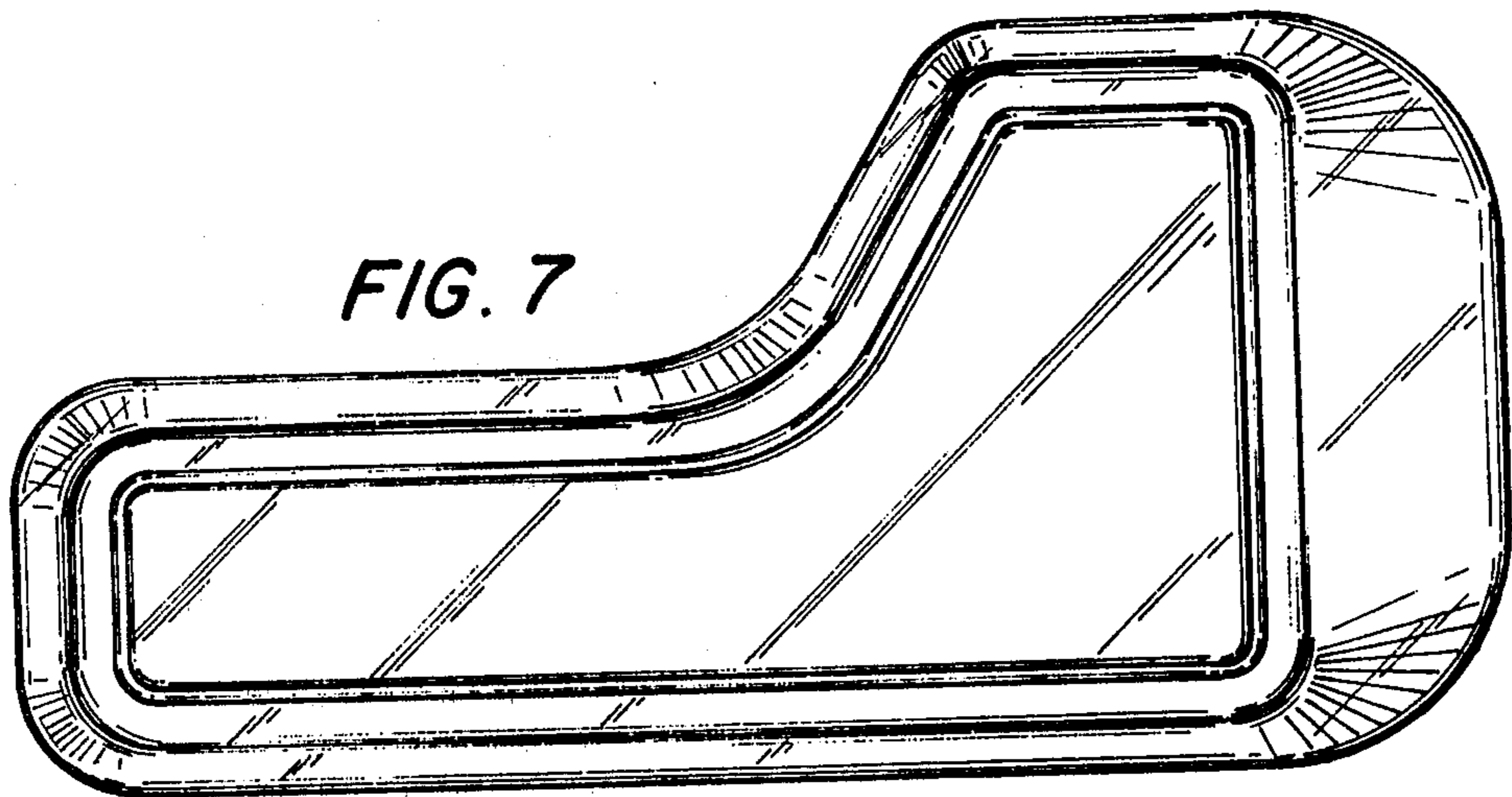


FIG. 7

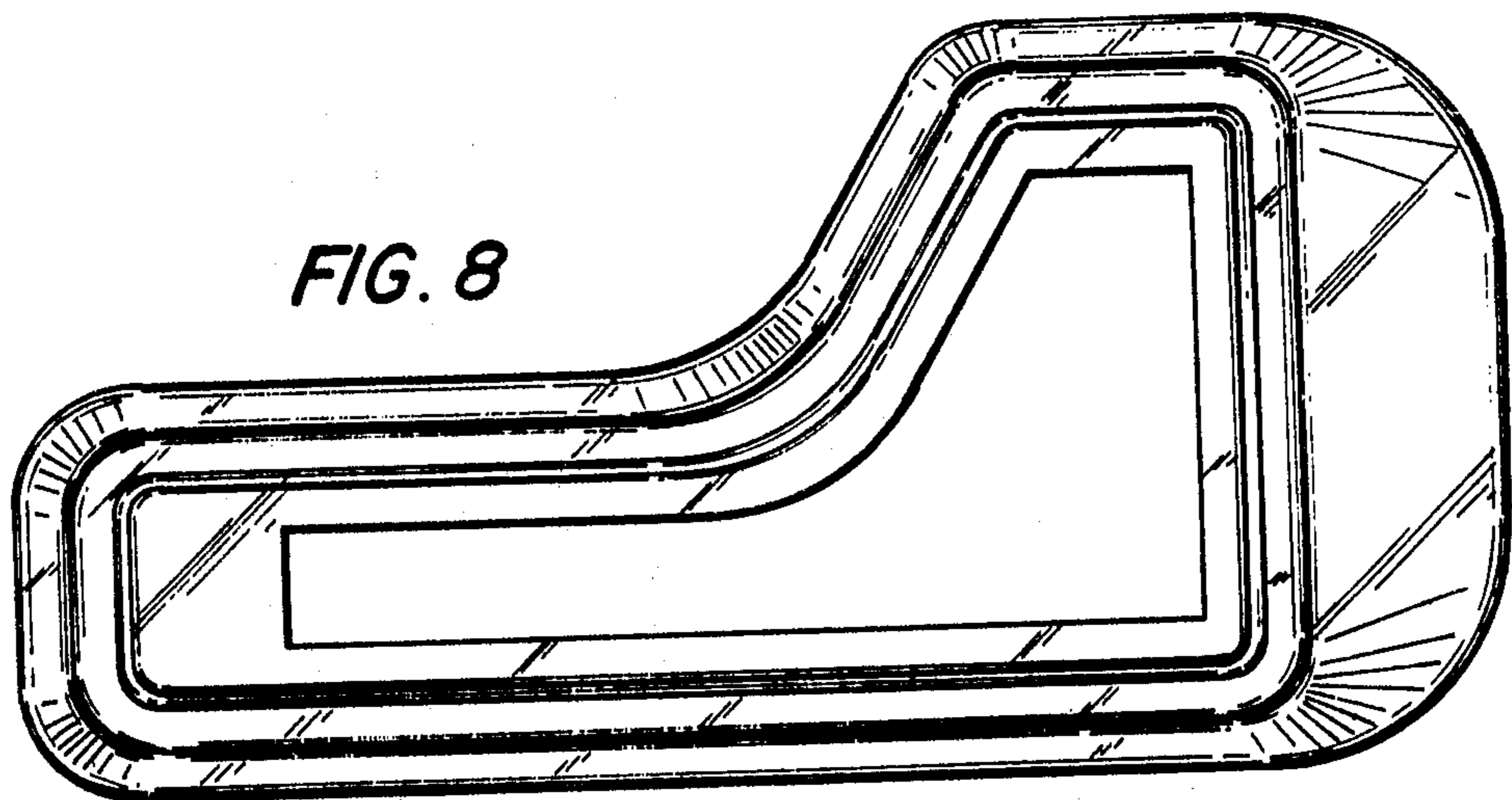


FIG. 8