

[54] FOOD TRAY COVER

[75] Inventors: Anthony C. Mack, North Reading, Mass.; David Shore, Atkinson, N.H.

[73] Assignee: Sweetheart Plastics, Inc., Wilmington, Mass.

[\*\*] Term: 14 Years

[21] Appl. No.: 367,402

[22] Filed: Apr. 12, 1982

[52] U.S. Cl. .... D7/40; D7/77; D9/435

[58] Field of Search ..... D7/40, 391, 16, 77; D9/435, 444; 62/530; 206/545; D15/90; D24/43

[56] References Cited

U.S. PATENT DOCUMENTS

D. 220,381	4/1971	Buxton	.....	D9/435
2,211,636	8/1940	Bates	.....	62/530
2,501,983	3/1950	Zoia	.....	D7/40 X
2,697,424	12/1954	Hanna	.....	62/530

OTHER PUBLICATIONS

*Plassware, Plastics, Inc.*, back cover, Item #93, Clear Cover for Free-Form Tray, top right.

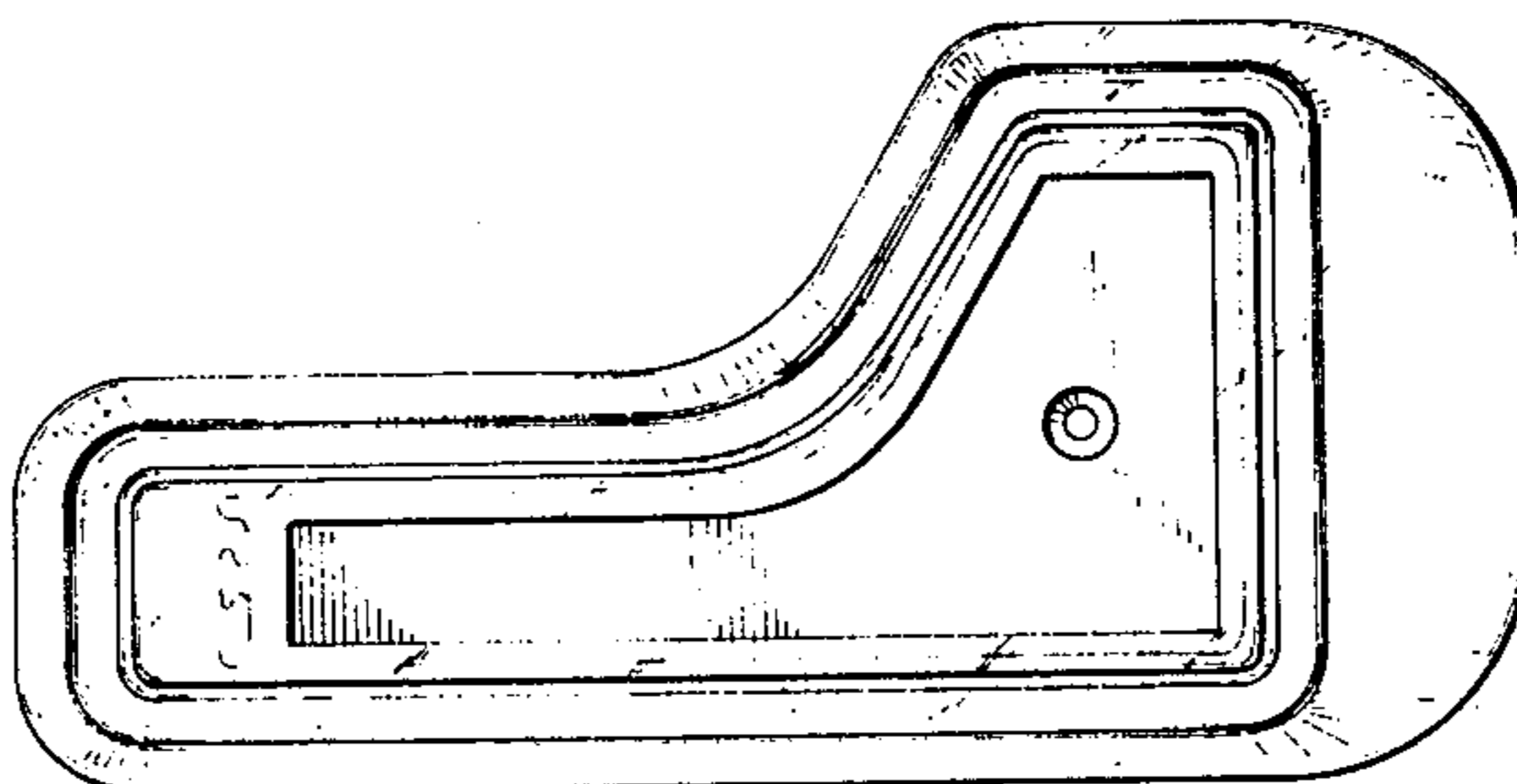
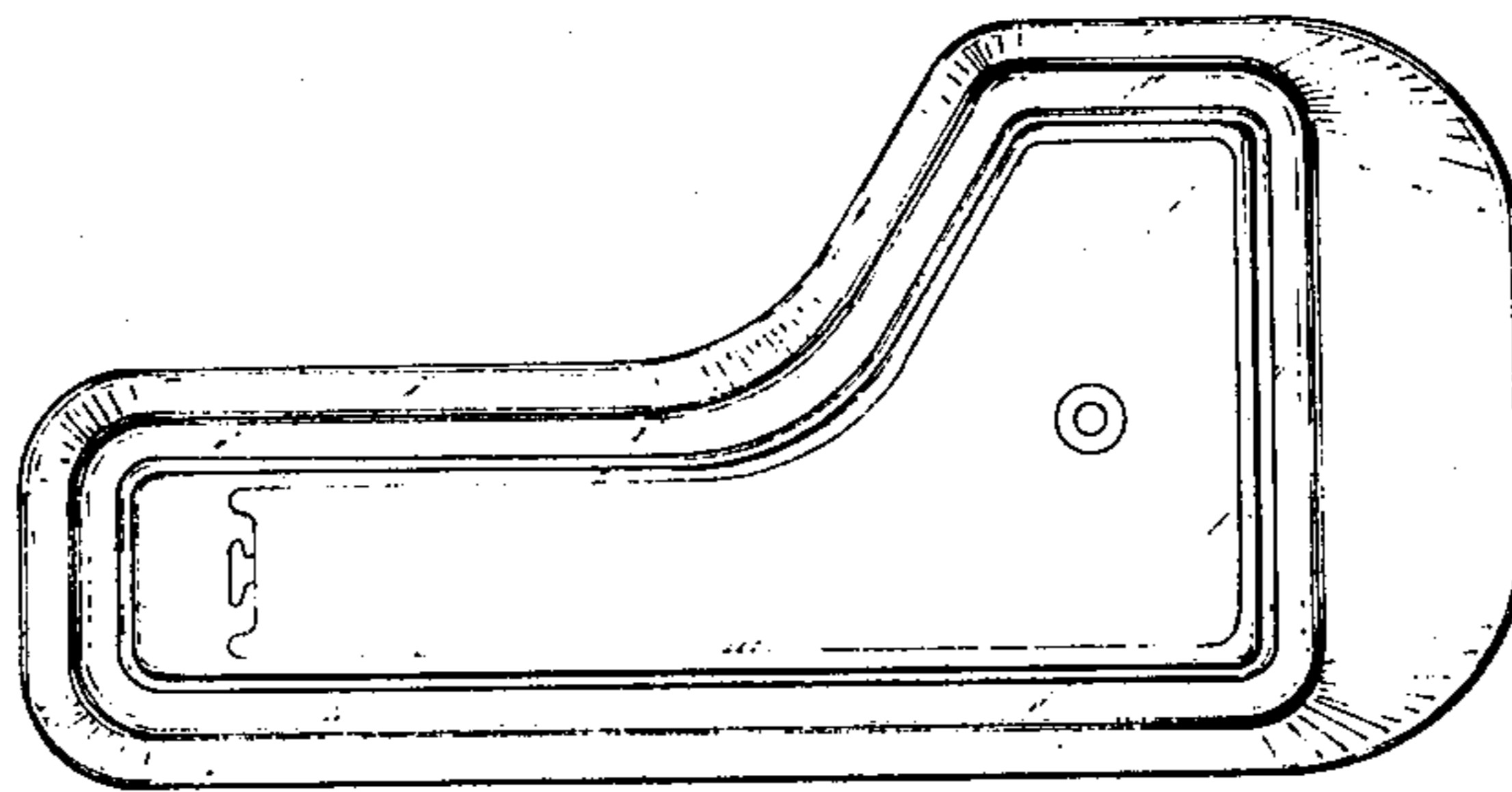
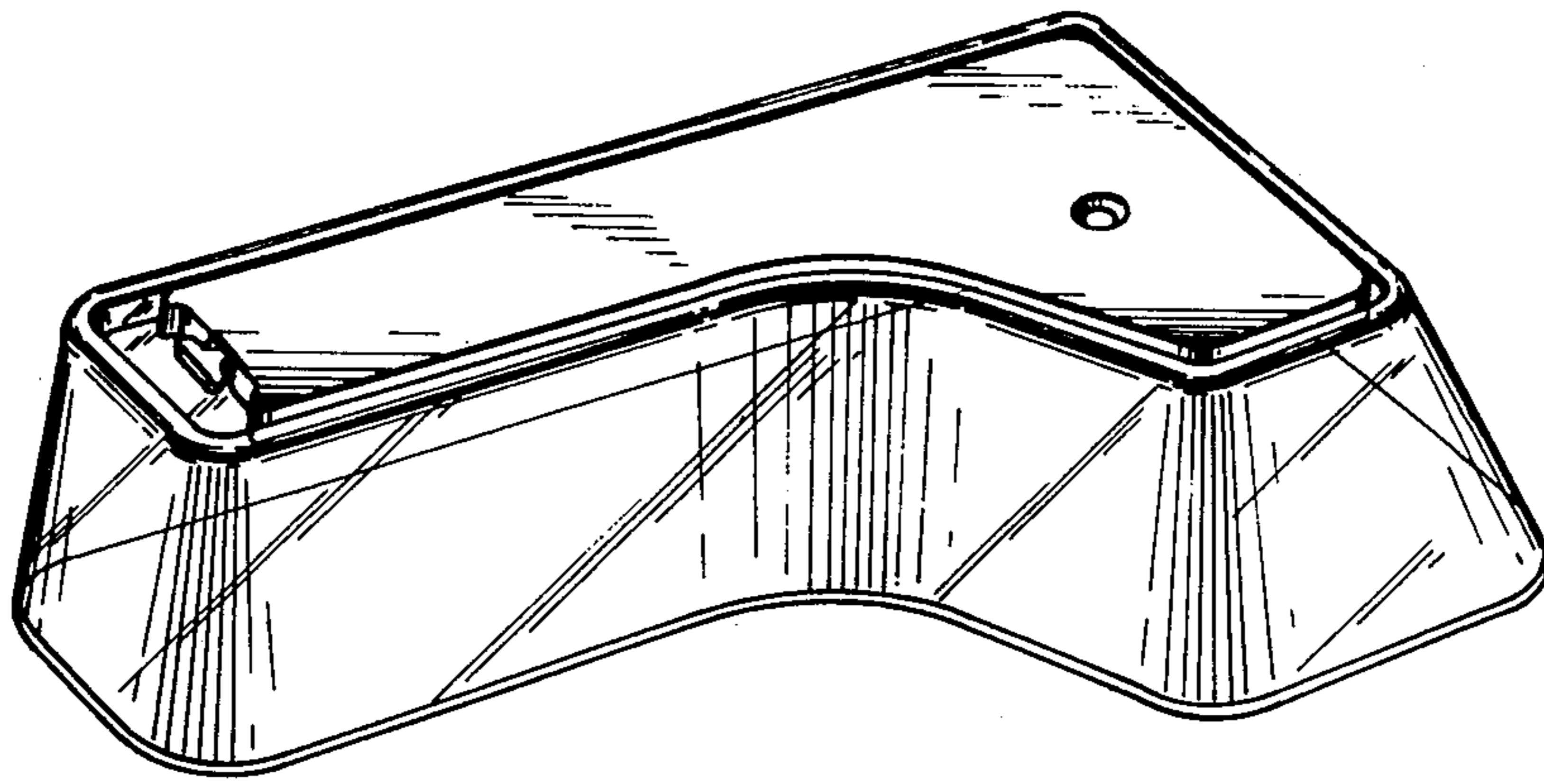
*Primary Examiner*—Winifred E. Herrmann  
*Attorney, Agent, or Firm*—McDougall, Hersh & Scott

[57] CLAIM

The ornamental design for a food tray cover, as shown and described.

DESCRIPTION

FIG. 1 is a top perspective view of a food tray cover showing our new design;  
FIG. 2 is a top plan view thereof;  
FIG. 3 is a front elevational view thereof;  
FIG. 4 is a back elevational view thereof;  
FIG. 5 is a left side elevational view thereof;  
FIG. 6 is a right side elevational view thereof;  
FIG. 7 is a bottom plan view thereof; and  
FIG. 8 is a bottom plan view of our new design showing a modification wherein the top recessed area has an aperture therein.



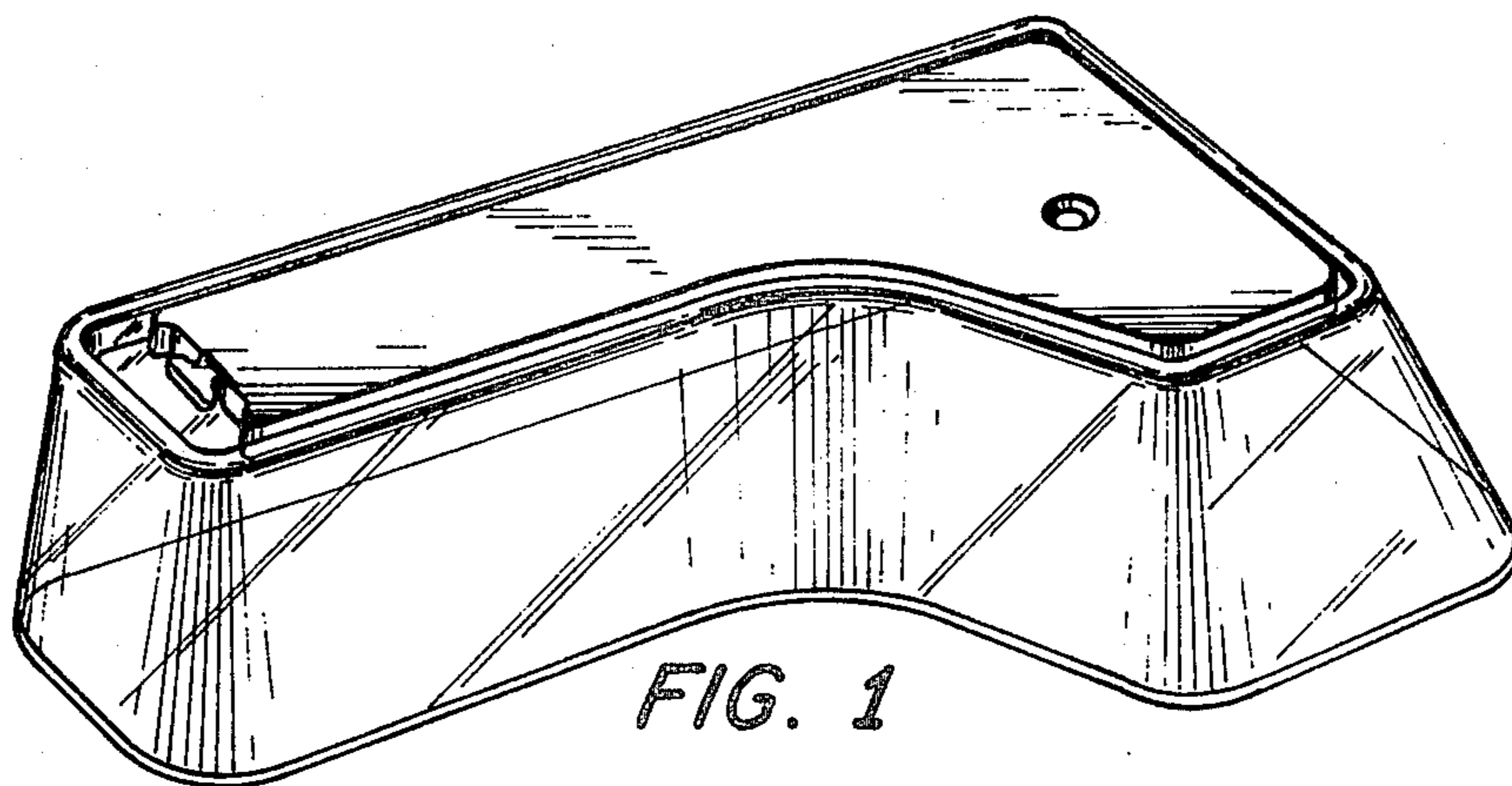


FIG. 1

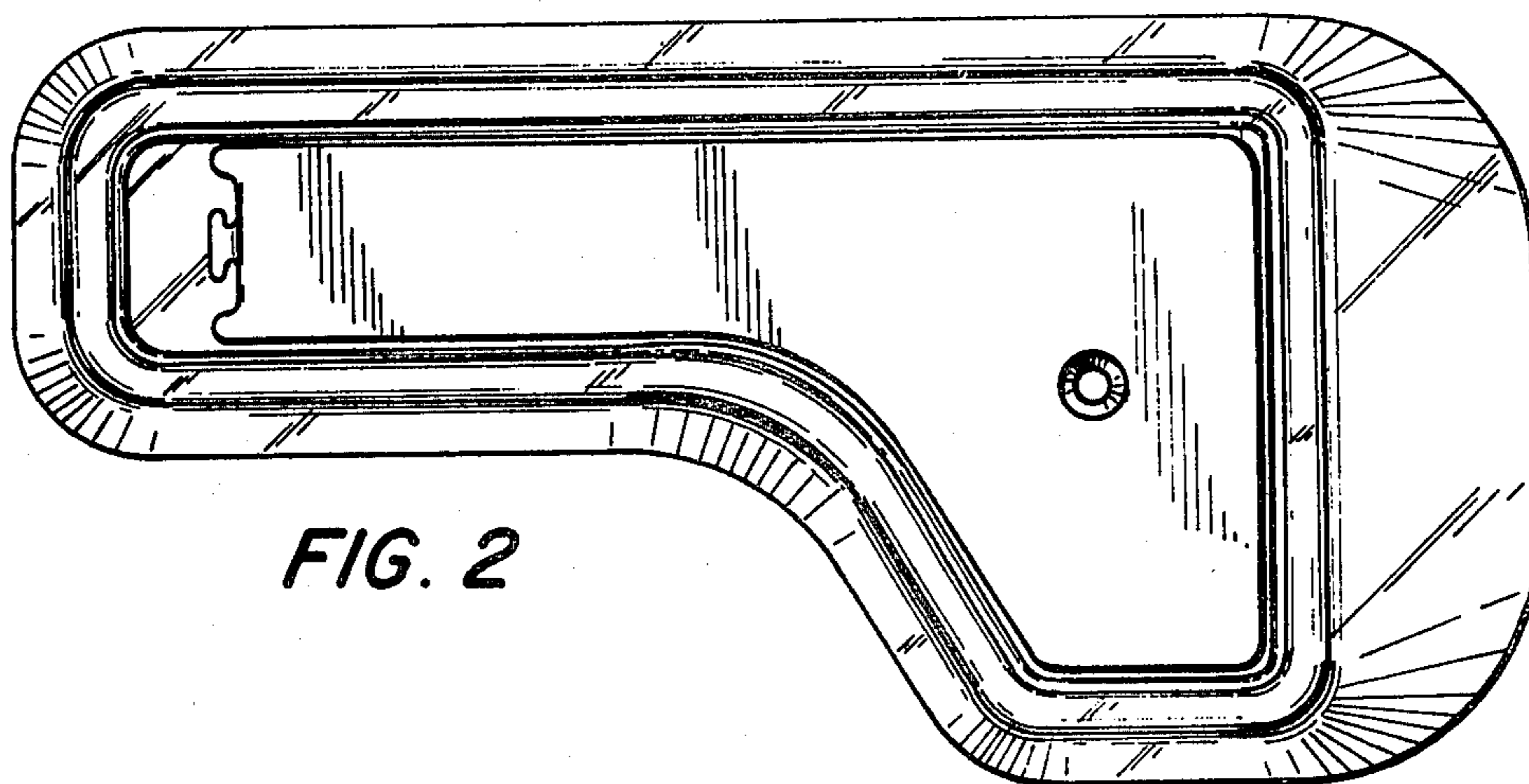


FIG. 2

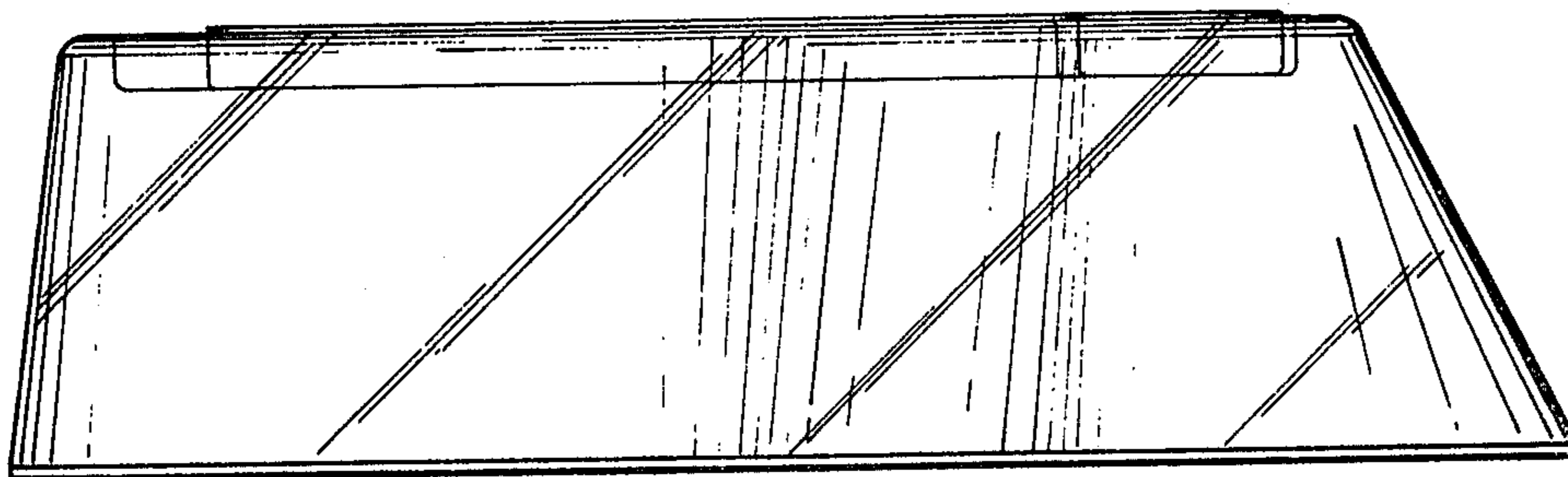


FIG. 3

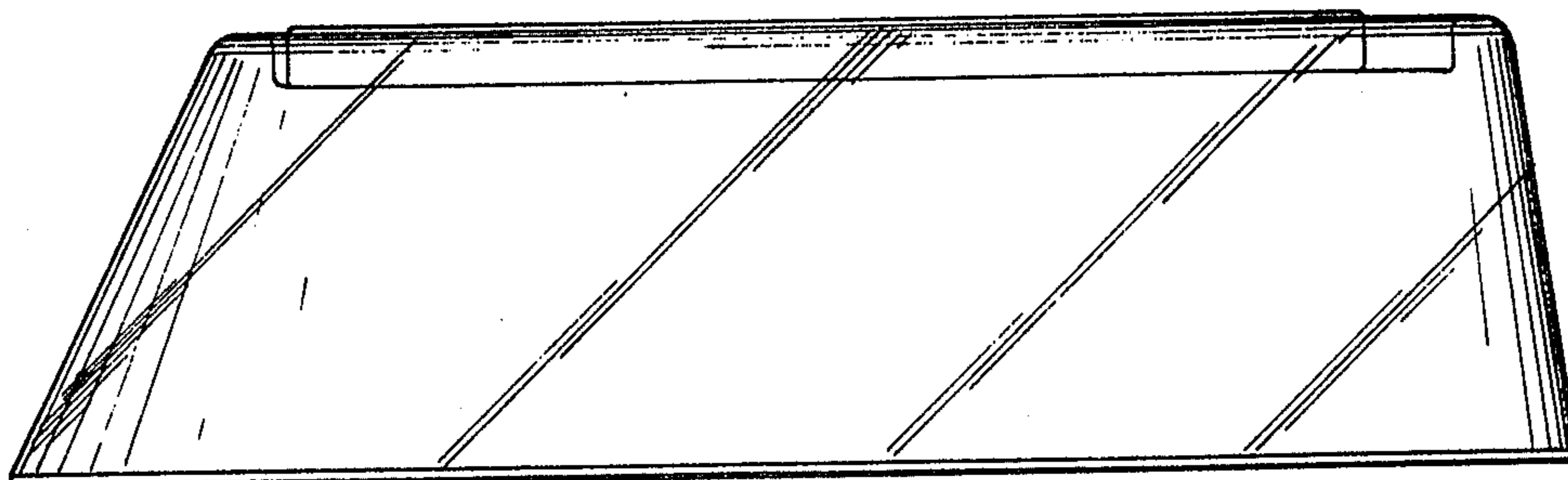
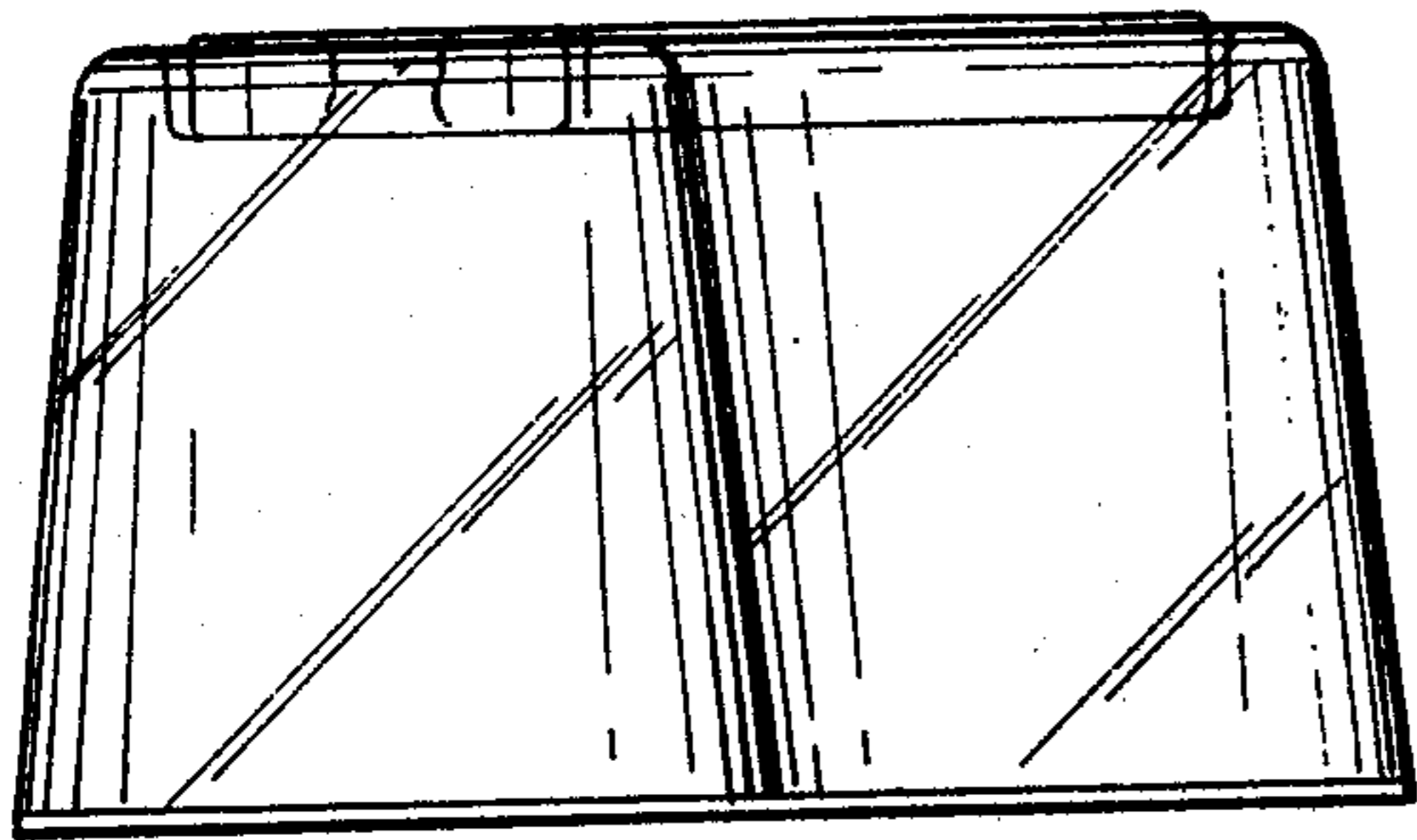
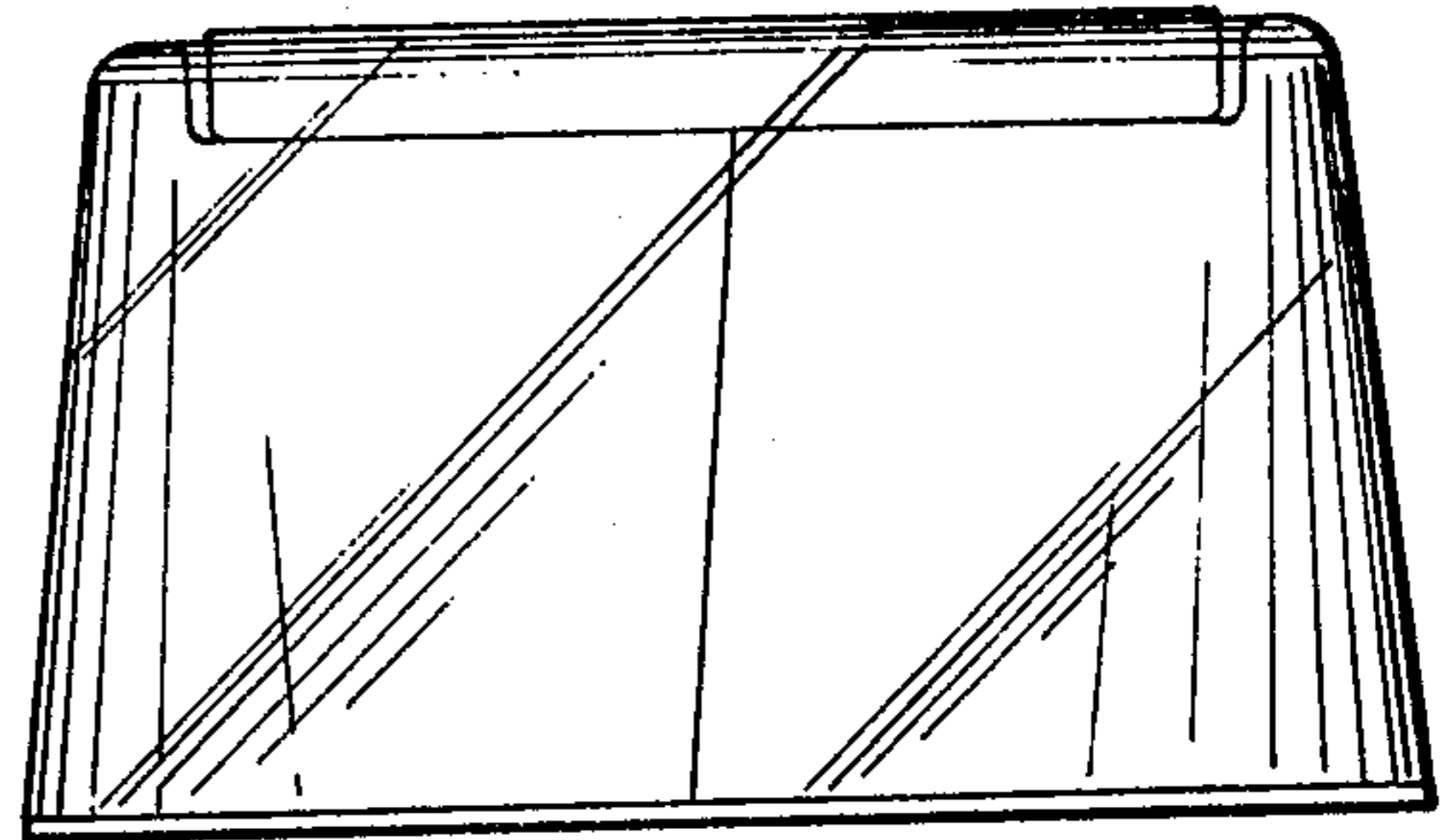


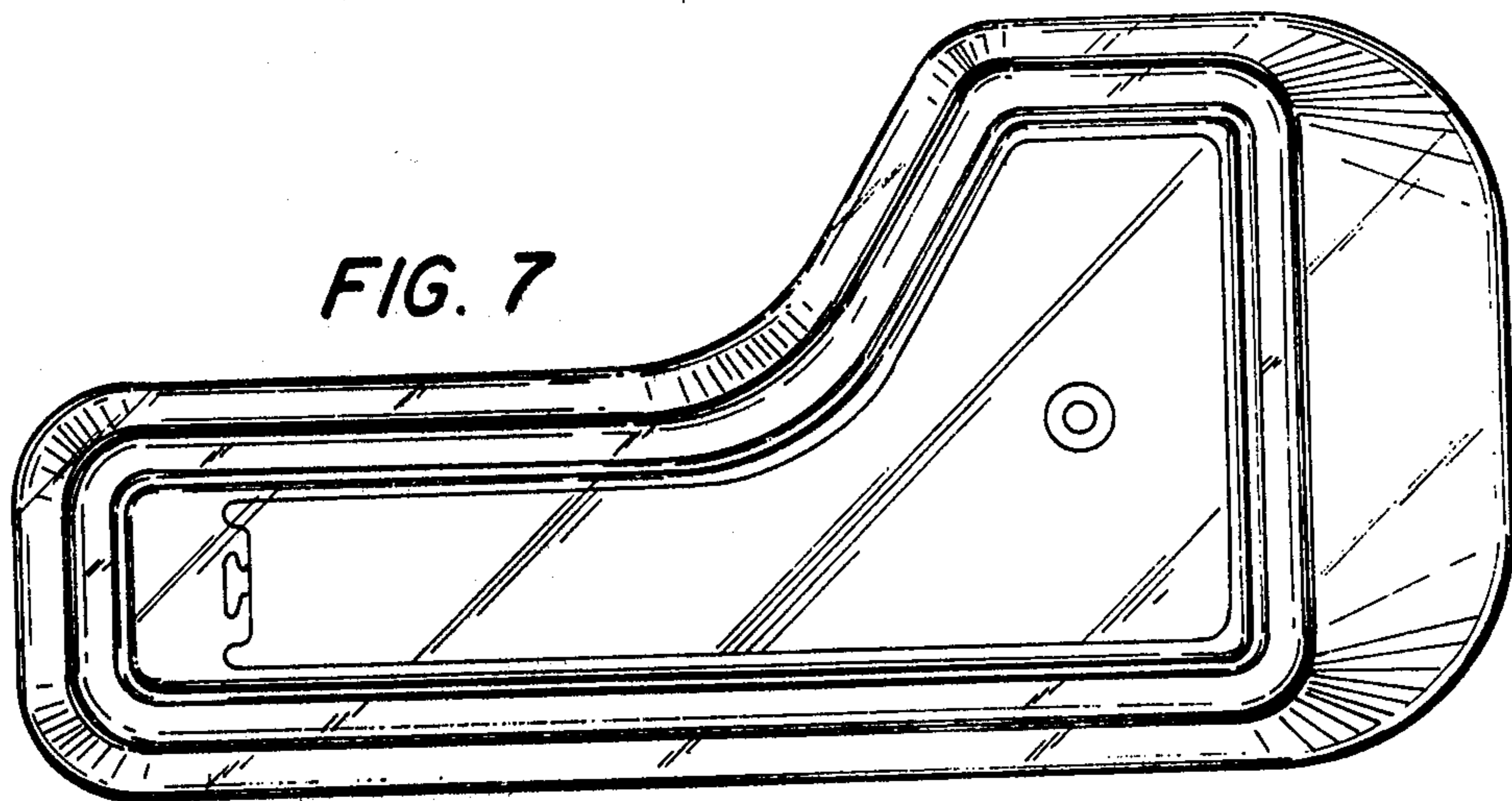
FIG. 4



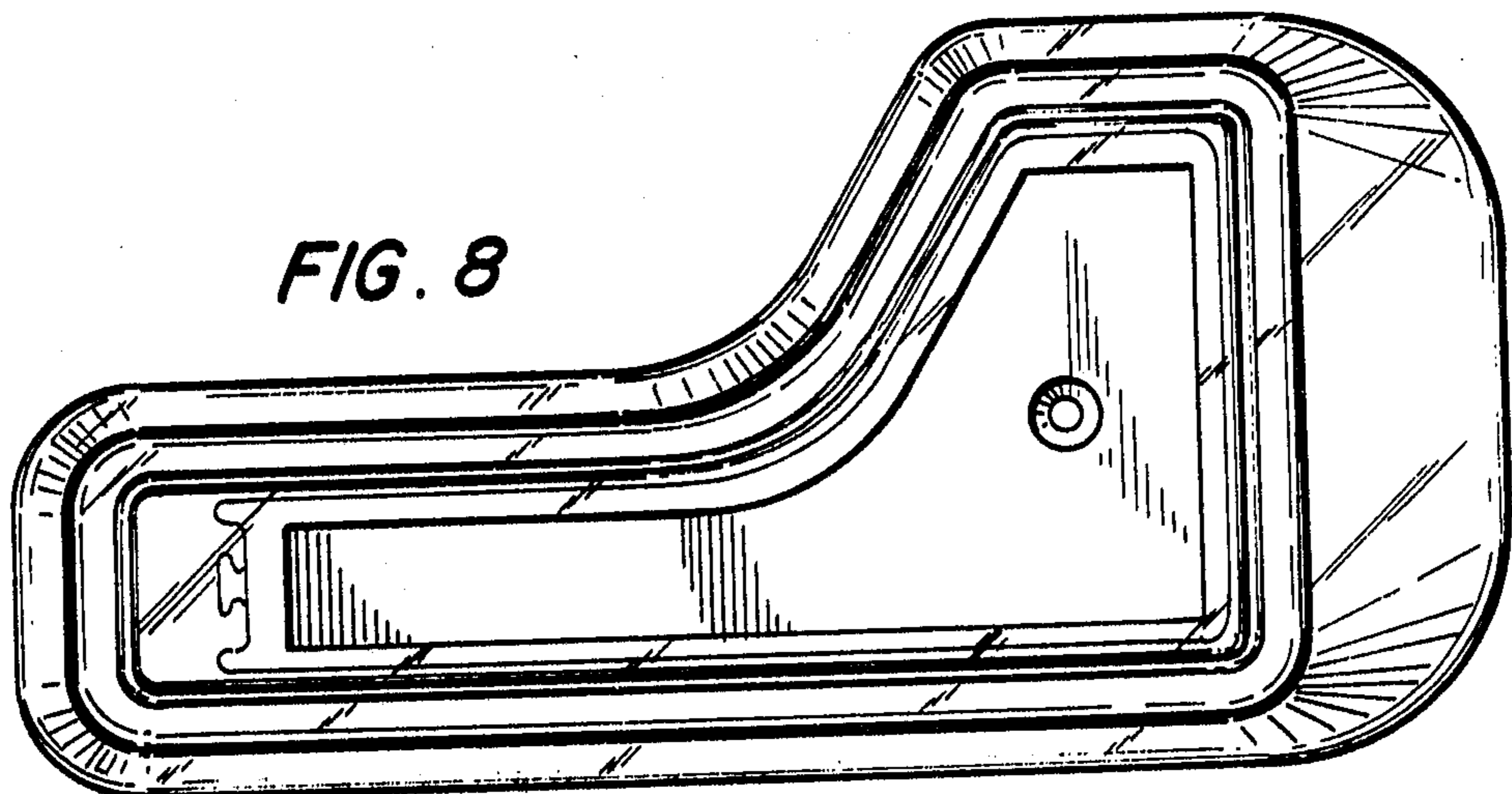
*FIG. 5*



*FIG. 6*



*FIG. 7*



*FIG. 8*